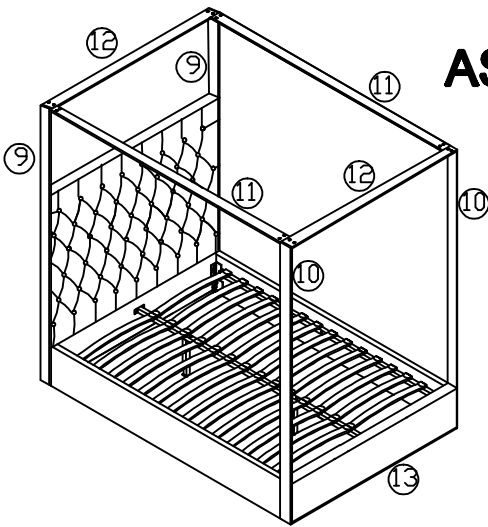


ASSEMBLY INSTRUCTIONS

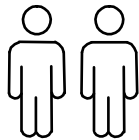
bed - queen



+ Do Not Use Power Tools



+ Suggested Adults



NOTE:

- 1 Read instructions cover to cover.
- 2 Save all packaging until assembly is completed.

1 IMPORTANT SAFETY INFORMATION

Do not assemble the product if any of the following parts arrived damaged:

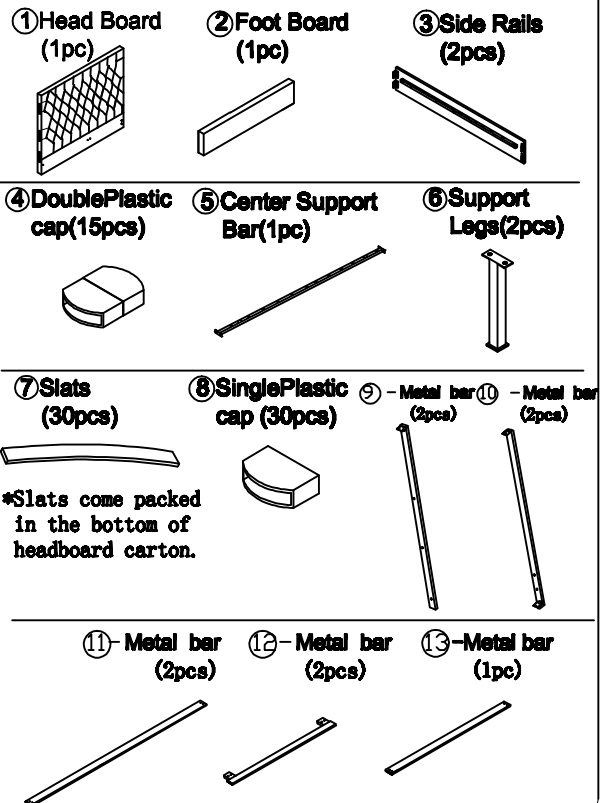
- Part # ③ -Side Rails
- Part # ⑤ -Center Support Bar
- Part # ⑥ -Support Legs
- Part # ⑦ -Slats

2 IMPORTANT ASSEMBLY INFORMATION

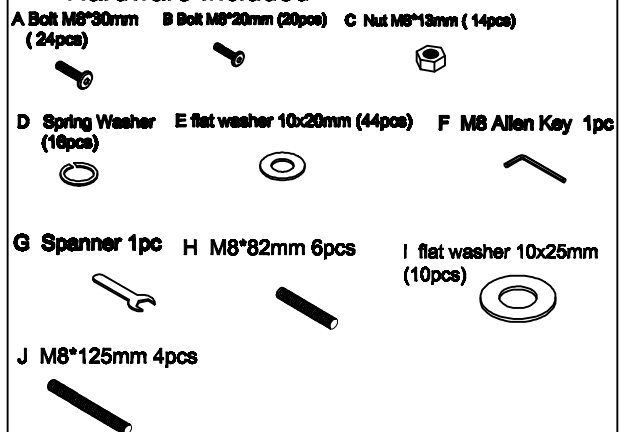
Assembly Step ③ Ensure the side rail bracket is fully hooked onto bolt A loosely threaded with both washers on the **OUTSIDE** of the bracket first, then proceed to fully tightening all 4 corners.

Assembly Step ⑨ When installing slats, ensure that the curve is facing upwards. (→) (↘)
 *Slats come packed in the bottom of headboard carton.

+ Parts Included



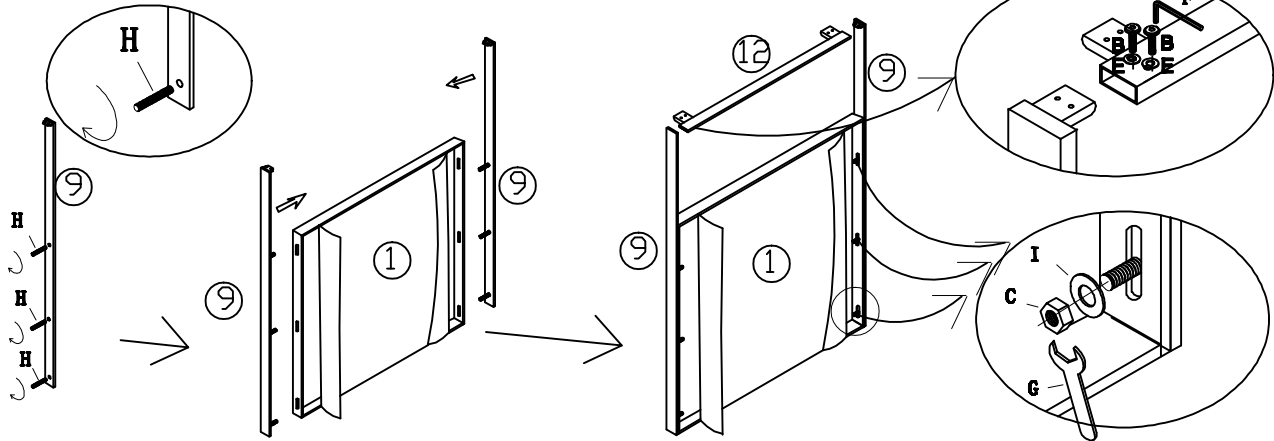
+ Hardware Included



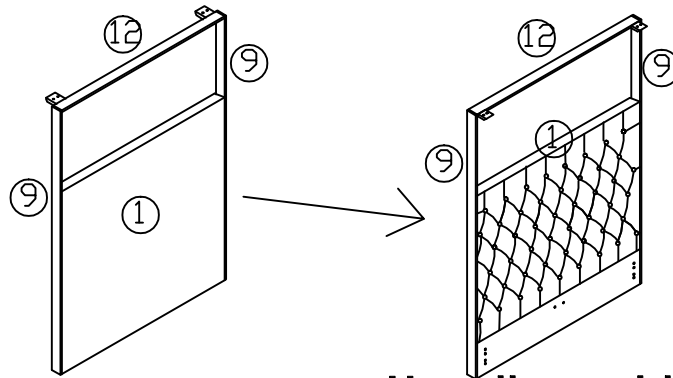
ASSEMBLY INSTRUCTIONS

bed - queen

STEP 1:

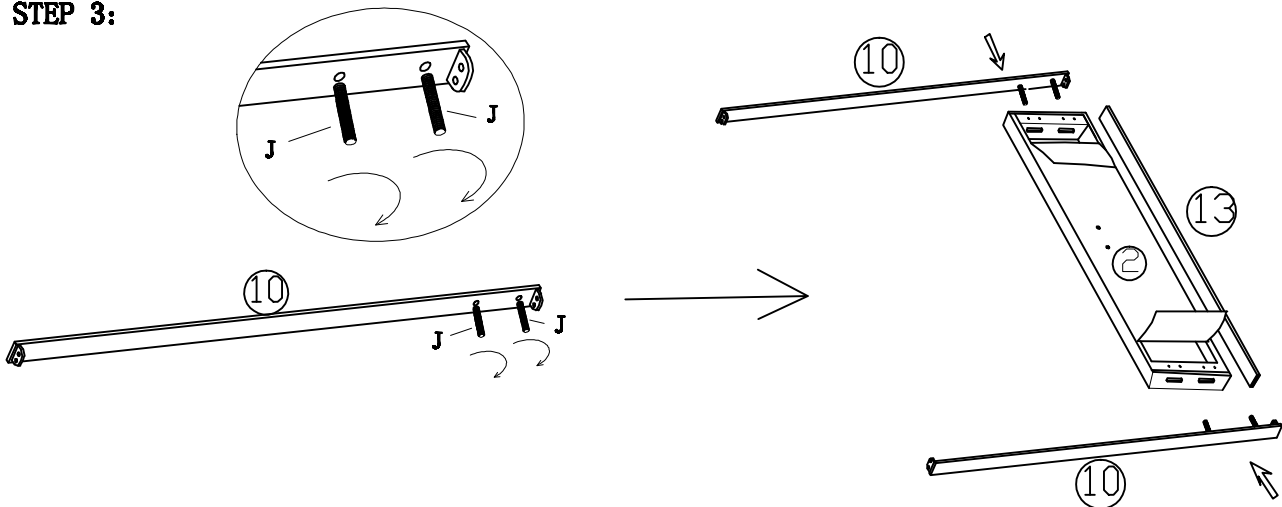


STEP 2:



Headboard is assembled

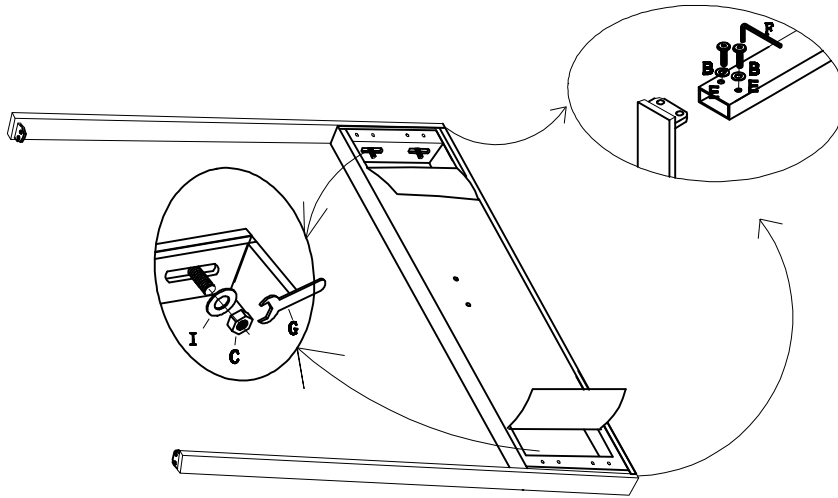
STEP 3:



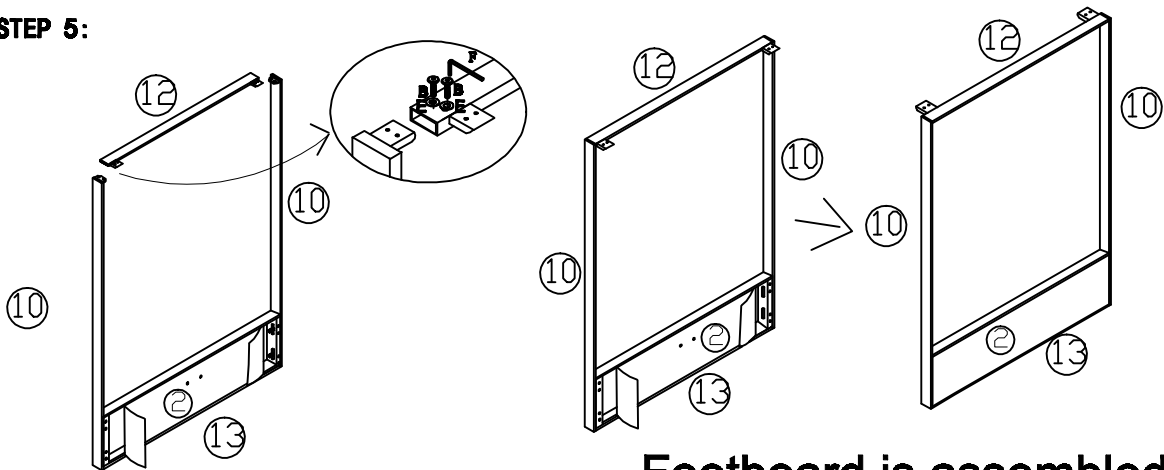
ASSEMBLY INSTRUCTIONS

bed - queen

STEP 4:

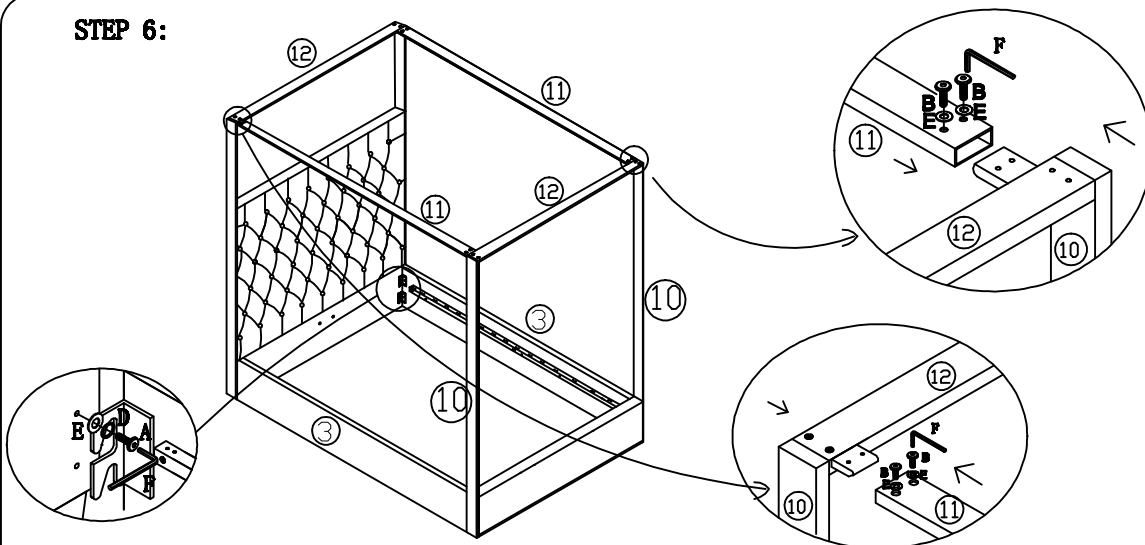


STEP 5:



Footboard is assembled

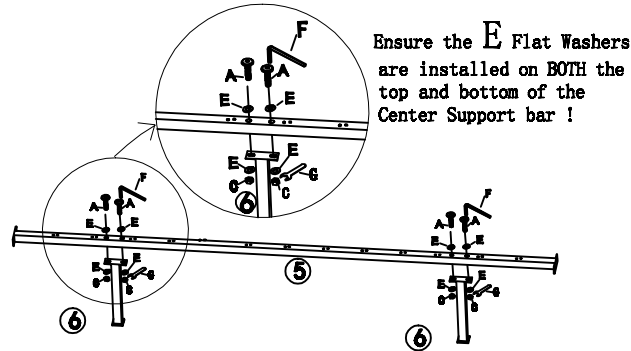
STEP 6:



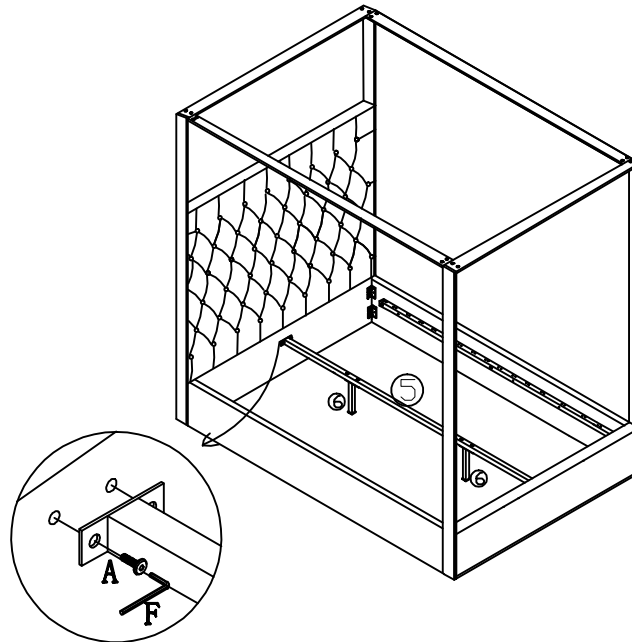
ASSEMBLY INSTRUCTIONS

bed - queen

STEP 7:

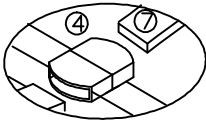
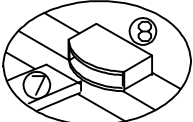


STEP 8:



STEP 9:

When installing slats, ensure that the curve is facing upwards. (✓) (✗)



packed in the bottom of headboard carton.

