

NOTICE

- * Please make sure that you have all parts indicated and they are in good condition before you begin assembly of this item. Refer to part list and hardware list below for guidance.
- * This item should be assembled on a soft surface to prevent scratching the finish during assembly.
- * This item may require periodic tightening.
- * If you are having difficulty, our friendly Customer Care team is always here to help. Please email customersupport@safavieh.com

PREPARATION

- * Before beginning assembly of product, make sure all parts are present. Compare parts with part contents list and hardware contents list.
- * If any part is missing or damaged, do not attempt to assemble the product.
- * Estimated Assembly Time: **15 minutes**.
- * Tools Required for Assembly (included): **Allen Key**

CARE AND MAINTENANCE

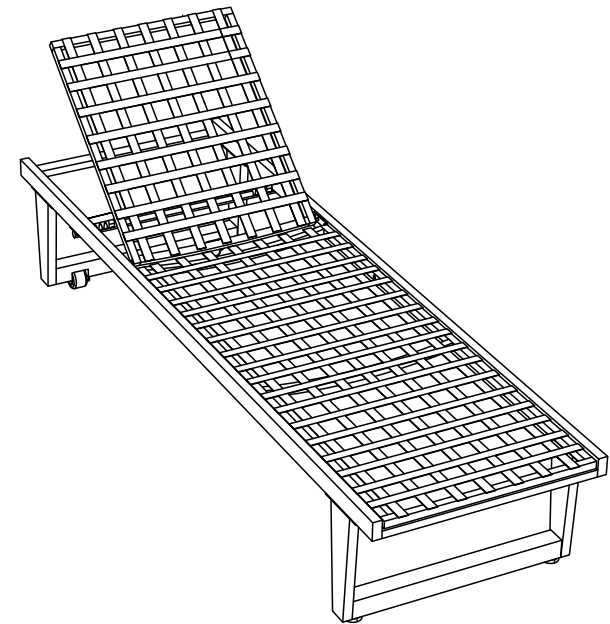
Store outdoor furniture indoors or cover well when not in use. Remove wooden furniture from standing water. Dust regularly with small brush or vacuum. Spills should be taken care of immediately before they harden or stain with a slightly dampened sponge. Do not use bleach solutions

 **SAFAVIEH**
O U T D O O R


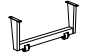
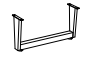

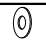

Model# PAT7760

Product Dimensions

25.98"W x 81.89"D x 14.37/37.79"H (Lounge Chair)



Part List and Hardware List

PIECE	DESCRIPTION	PICTURE	QUANTITY
A	Lounge Seat		1X
B	Lounge Leg 1		1X
C	Lounge Leg 2		1X
HW1	Allen Bolt: M6 x 0.5 x 20 mm		8X
HW2	Flat washer: M6 x 1 mm		8X
HW3	Allen Key		1X



Weight Capacity : 352 lbs (Lounge Chair)

Warning : Do not stand on Lounge Chair

Warning : Do not over torque bolts/screws

PREPARATION

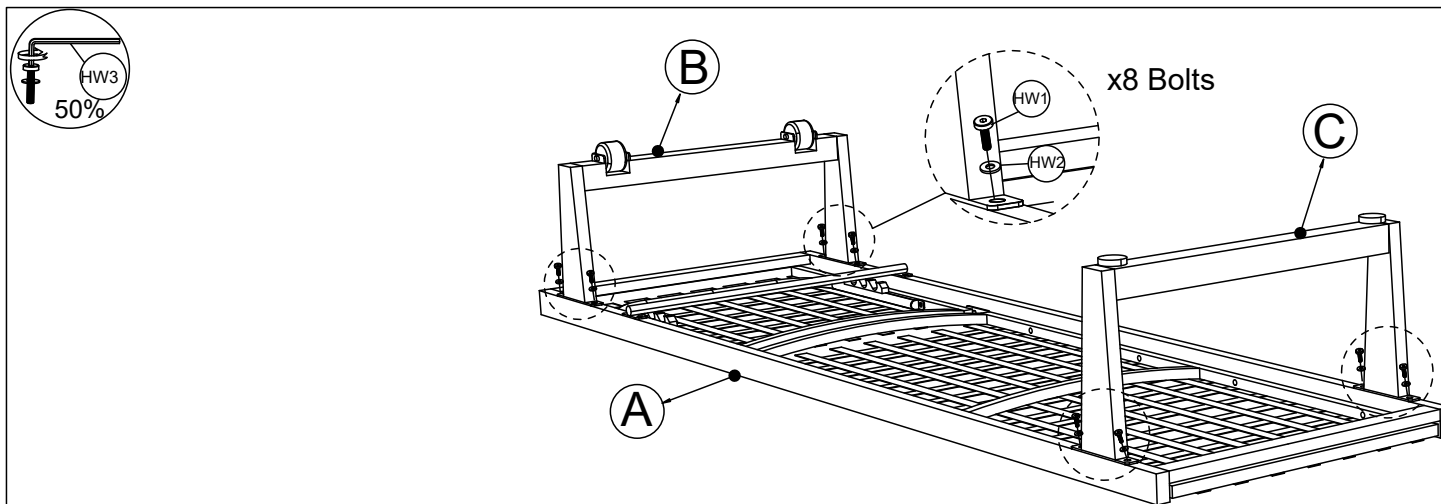
* Before beginning assembly of product, make sure all parts are present. Compare parts with part contents list and hardware contents list.

* If any part is missing or damaged, do not attempt to assemble the product.

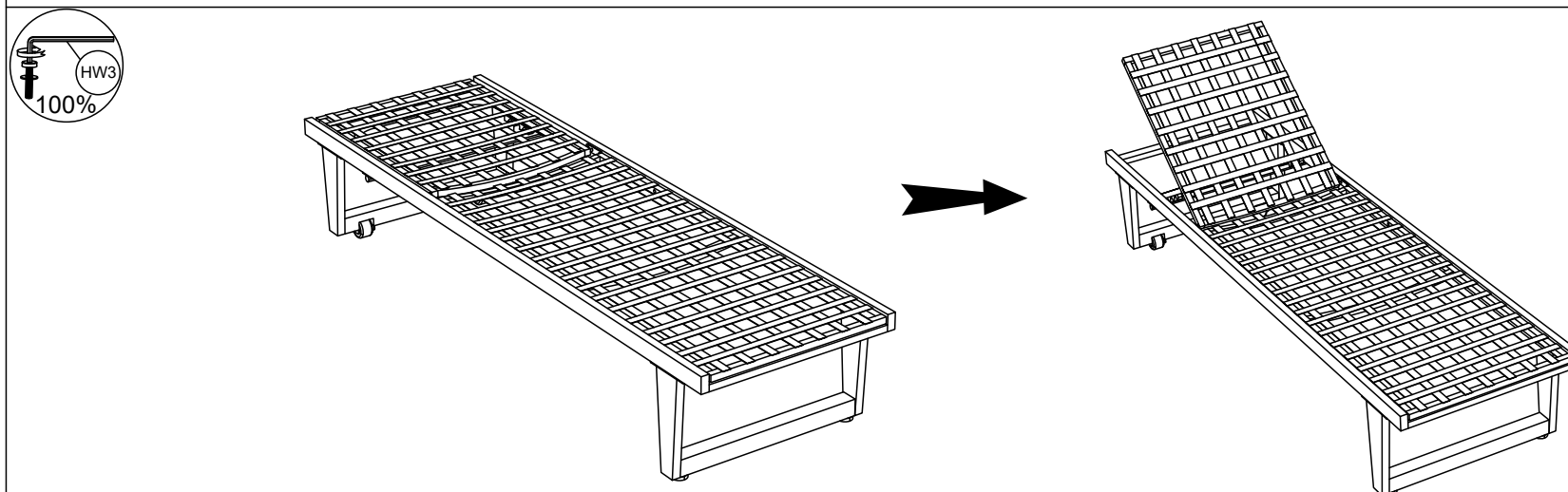
* Estimated Assembly Time: 15 minutes.

* Tools Required for Assembly (included): Allen Key.

* If you are having difficulty, our friendly Customer Care team is always here to help. Please email customersupport@safavieh.com



STEP 1: Connect Lounge Seat (A), Lounge Leg 1 (B), Lounge Leg 2 (C), tighten Bolt (HW1), Flat washer (HW2) with Allen Key (HW3).



STEP 2: Firmly, tighten the bolts. Put the lounge chair upright
Finish Arthur Lounge Chair.