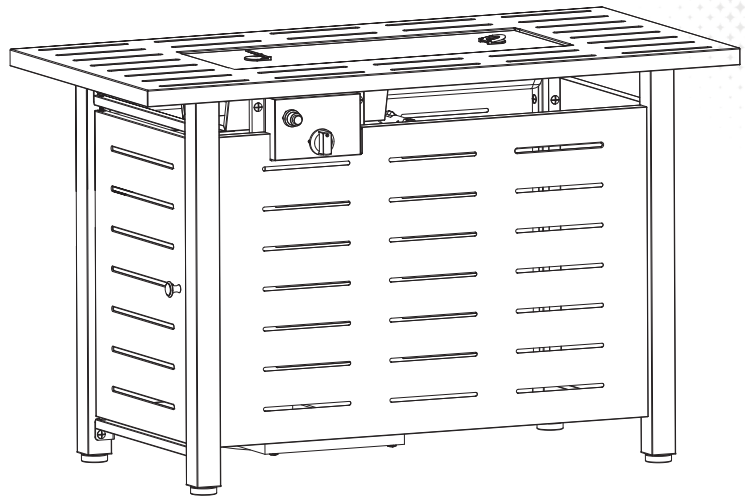


MANUAL INSTRUCTION

Rectangle Gas-Burning Firepit Table



Reach us at:

✉ service@kmcglobe-us.com

☎ (only us) +1 213-816-4788



We offer a diverse range of products to meet the needs of customers.

Outdoor Furniture

We are a professional furniture provider with top-notch factories and outstanding designs, Our mission is to provide consumers with new lifestyles. By collecting consumer feedback, we constantly improve our products and create more choices for consumers. If you want to create your space, We are an ideal choice.

Always.



WARNING

DONOT USE THIS
PRODUCT ON A WOODEN
DECK OR AGAINST A

DONOT TOUCH THE GAS
HOSE TO THE BURNER OR
FIRE BOWL.



WARNING

IF YOU SMELL OR HEAR GAS

1. Do not attempt to ignite the burner.
2. Close the valve of the gas tank and disconnect the gas tank from the burner.
3. Evacuate people and move away from fireplace tables.
4. If necessary, contact firefighters for gas leaks.

IF YOU SMELL BURNING RUBBER

1. Extinguish flames with fire extinguishers.
2. Close the valve of the gas tank, disconnect the gas tank from the fireplace table and remove the gas tank.
3. Evacuate people and move away from fireplace tables.
4. If necessary, contact firefighters promptly to solve the problem.

! FIREPLACE TABLE WARNING

1. This fireplace table is for outdoor use only. This fireplace table produces carbon monoxide and has no odor. Do not use this product in garages, indoors or other enclosed spaces.
2. The efficiency of the fire pit decreases in temperatures below 40 degrees Fahrenheit or wind speeds above 10 mph.
3. Use this equipment only on hard and flat surfaces that do not burn easily, such as concrete or rock. Do not use on plastic laminate floors or artificial wood floors.
4. For use with propane gas tanks only (not included).
5. Children are not allowed to operate the fireplace table, only adults are allowed to operate it.
6. Do not allow children and pets around the fire pit when using this product.
7. Do not stand on any part of this product or use it as a step ladder.
8. Please do not tighten the screws during the initial installation process until the installation is complete and then tighten the screws.
9. Please refer to the manual for installation, wrong installation steps may bring unnecessary losses.
10. Please review the precautions before use. Failure to follow warnings and instructions may result in death, serious injury or property damage.
11. If any parts are missing, broken, damaged or worn, discontinue use of the product until repairs are made and/or factory replacement parts are installed.
12. Do not use this product in a manner inconsistent with the manufacturer's instructions, as this may void the product warranty.
13. Do not use a flame to check for gas leaks.
14. Do not use this fire pit under a tree or near any other unprotected combustible area.
15. Do not connect to a distant gas supply.
16. Do not use with natural gas.
17. Do not use solid fuel or charcoal on this fire pit.
18. Do not burn anything other than what is provided.
19. Do not place clothing or flammable materials near a fire pit.
20. Do not use the fireplace table for cooking.
21. Do not place food or eat on the surface of the fireplace table while the fire is burning.
22. Do not pour water on any part of the fire pit.
23. When in use, keep a safe distance from the fire pit table. Do not sit on the fireplace table or put your hands/feet on it.
24. To avoid burns, do not touch or move any part of the fireplace table while it is in use and wait until it is completely cool.
25. Do not inhale smoke from the fireplace table to avoid smoke entering your lungs.
26. Do not alter this equipment. Any alteration will create a safety hazard.
27. Do not use any attachments or accessories other than the original factory attachments and accessories.
28. Periodically inspect the hose for wear or abrasions. If the hose is damaged, do not use it.
29. Please note that items stored under the fireplace table will be exposed to radiation and may be damaged.

! CALIFORNIA PROPOSITION 65

WARNING: This product can expose you to Carbon monoxide, which is known to the State of California to cause birth defects or other reproductive harm. For more information go to www.P65Warnings.ca.gov

! PROPANE TANK WARNINGS

1. Use only standard 20 lb. propane tanks.
2. Do not fill the gas tank more than 80% of its capacity.
3. Do not use if any part of the can is damaged; rust and dents can be dangerous.
4. The bottom of the propane tank must be fastened to the base with screws.
5. Using too much propane gas may result in gas buildup and failure to burn.
6. Brush a mixture of soap and water on all connections and check for gas leaks. If large bubbles appear when the gas is turned on, the gas may be leaking.

PROPANE TANK WARNINGS

1. Use only standard 20 lb. propane tanks.
2. Do not fill the gas tank more than 80% of its capacity.
3. Do not use if any part of the can is damaged; rust and dents can be dangerous.
4. The bottom of the propane tank must be fastened to the base with screws.
5. Using too much propane gas may result in gas buildup and failure to burn.
6. Brush a mixture of soap and water on all connections and check for gas leaks. If large bubbles appear when the gas is turned on, the gas may be leaking.

TOOLS REQUIRED



Phillips Screwdriver



AAA Battery



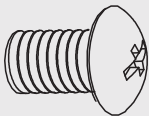
2 Persons Assembly



Up to 30 Minutes For Assembly

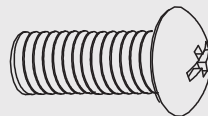
HARDWARE

AA M4x10 mm Bolt



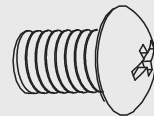
1 PCS

BB M6x30 mm Bolt



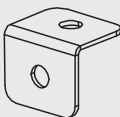
5 PCS

CC M6x15 mm Bolt



26 PCS

P Door Support



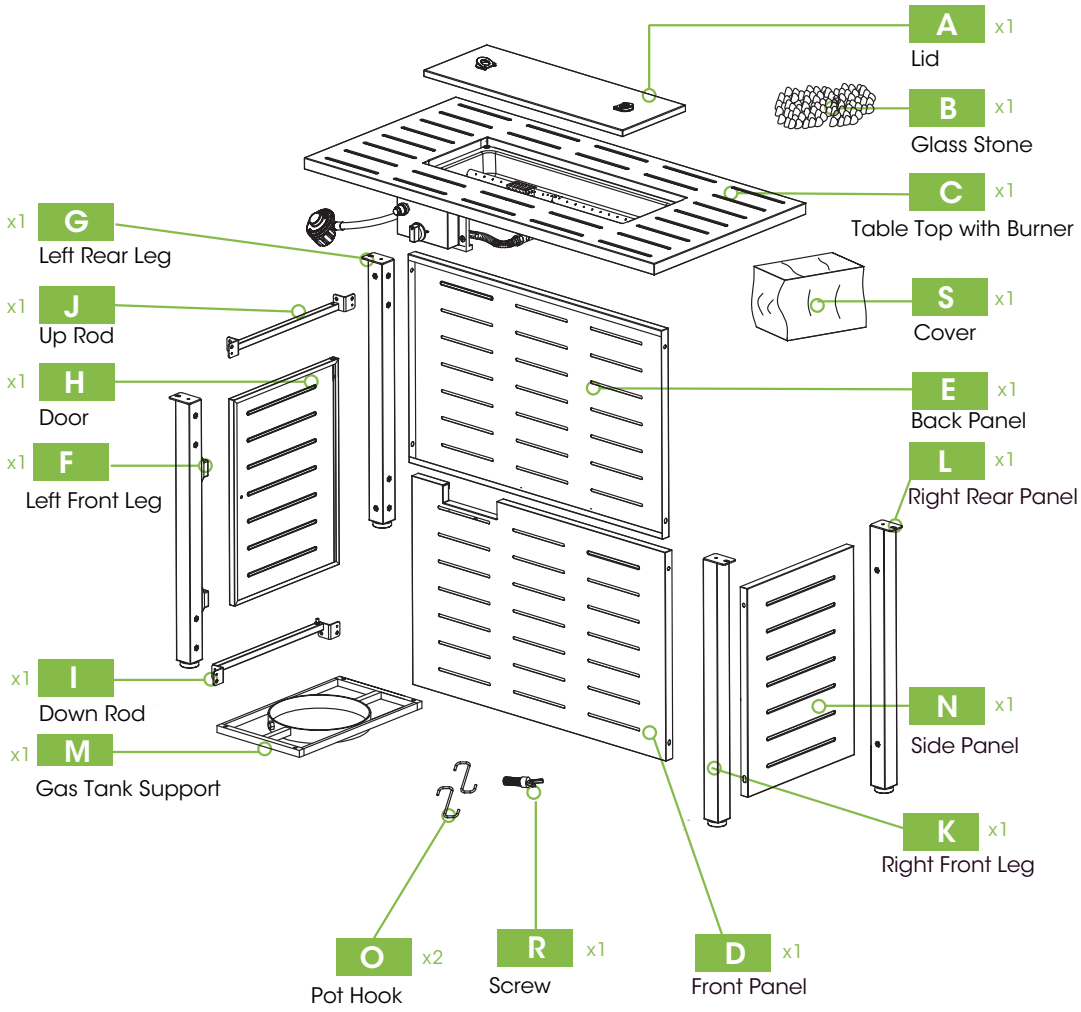
1 PCS

Q Door Handle



1 PCS

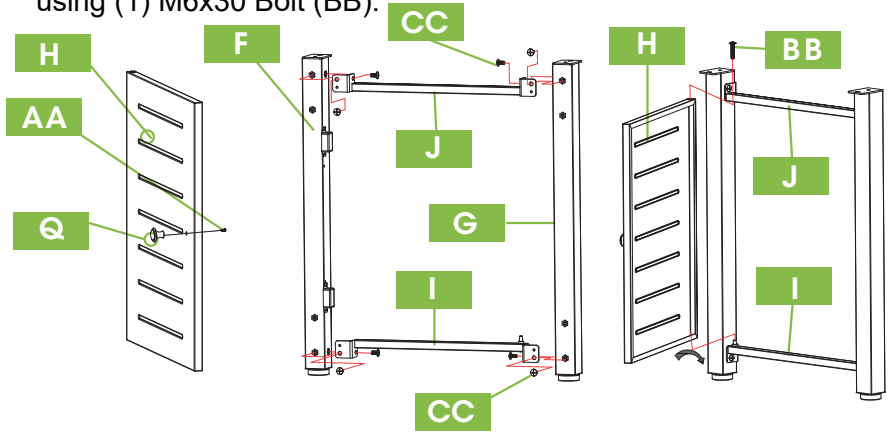
PARTS



PRODUCT ASSEMBLY

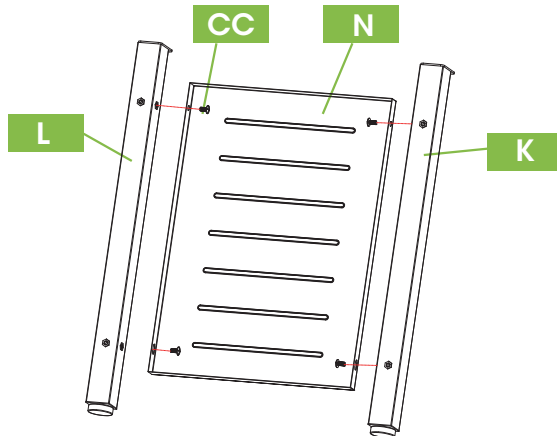
1 Assembling the Door Frame

Attached Door Handle (Q) to Door (H) using (1) M4X10 Bolt (AA).
Attached Up Rod (J) and Down Rod (I) to Left Front Leg (F) and Left Rear Leg (G) using (8) M6x15 Bolt (CC) .
Inset Door (H) into Down Rod (I) and Attached Door (H) to Up Rod (J) using (1) M6x30 Bolt (BB).



2 Assembling Side Panel Frame

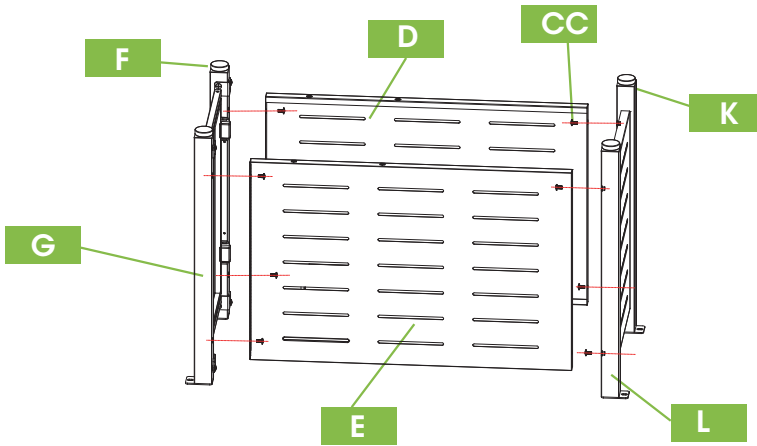
Attach Side Panel (N) to the Right Front Leg (K) and Right Rear Leg(L) using (4) M6x15 Bolt (CC).



PRODUCT ASSEMBLY

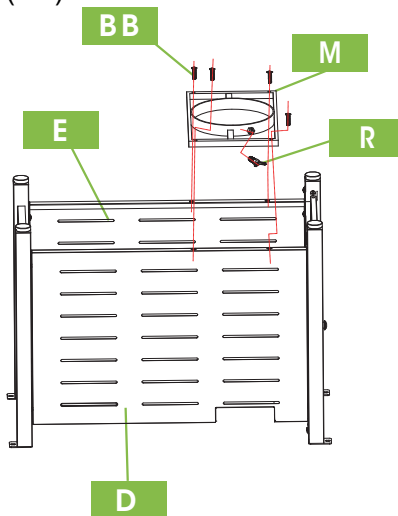
3 Assembling the front panel and rear panel

Attach Front Panel (D) to Right Front Leg (F) and Left Front Leg (K) using (4) M6x15 Bolt (CC). Then attach Back Panel (E) to Right Rear Leg (G) and Left Rear Leg (L) using M6x15 Bolt (CC).



4 Assembling the Gas Tank Support

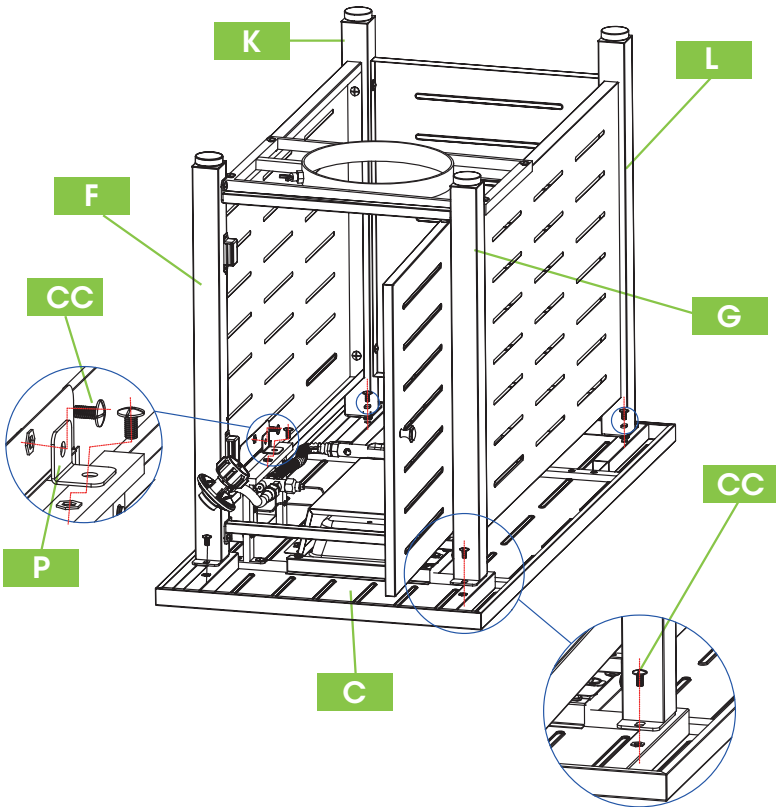
Attach Screw (R) to the Gas Tank Support (M) then attach Gas Tank Support (M) to Front Panel (D) and Back Panel (E) using (4) M6x30 Bolt (BB).



PRODUCT ASSEMBLY

5 Assembling the base

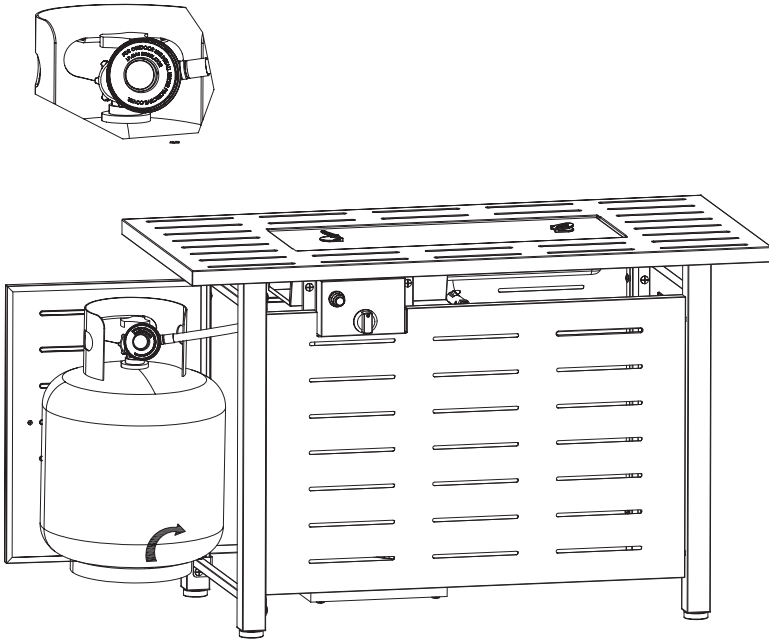
Attach the part (step 4) and the Door Support (P) to the Table Top with Burner (C) using (6) the M6x15 Bolt (CC).shown in the figure. Tighten all the bolts with a Phillips Screwdriver (not included).



PRODUCT ASSEMBLY

6 Assembling the cylinder

Put the cylinder into the gas tank support (M), and secure the cylinder by tightening the screw in the gas tank support (M).
Connect the hose and regulator to the cylinder.



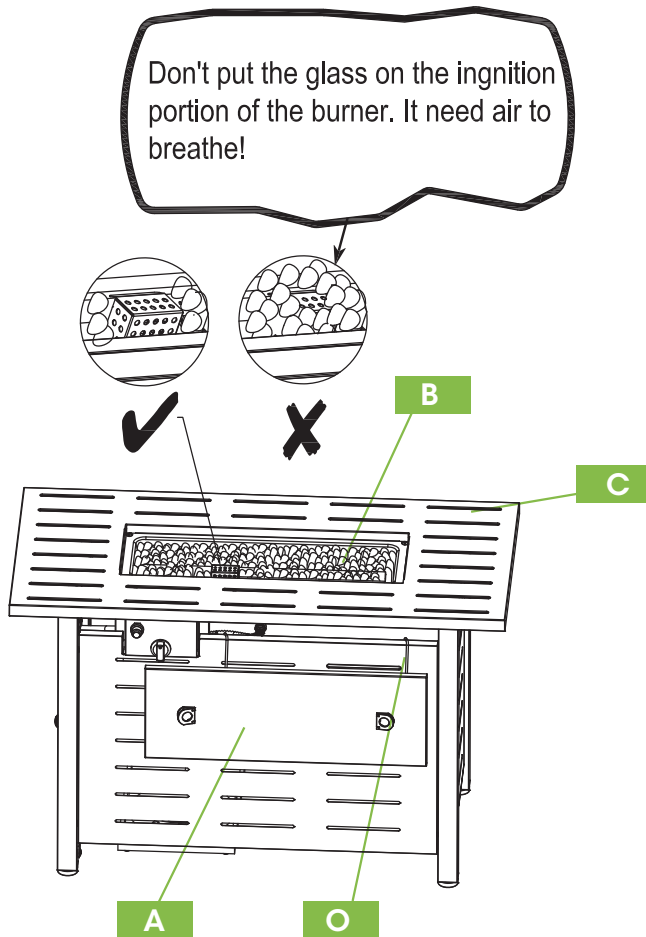
PRODUCT ASSEMBLY

7

Assembling the Glass Stone

Place the glass(B) into the fire bowl.

Note: Ensure no glass is placed on the ignition portion of the burner. Te the metal lid(D) on.

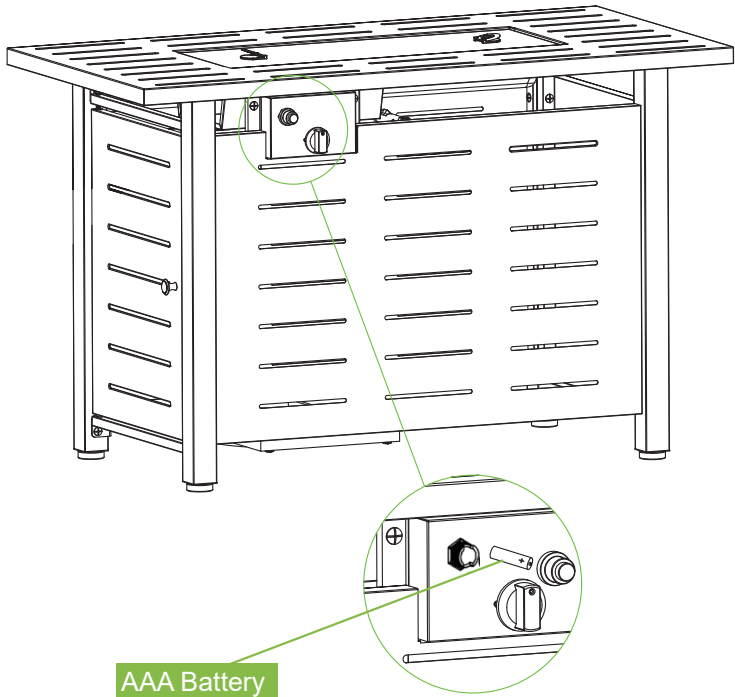


PRODUCT ASSEMBLY

8

Installing the AAA Battery

Open the igniter and place the AAA Battery (not included) into the igniter. Then tighten clockwise. The Lid (A) must be removed when the burner is in operation. Wait until the unit cools before replacing the cover. Do not over tighten igniter button.



PRODUCT ASSEMBLY

Operating



WARNING: Never use this appliance for other than the intended use. **DO NOT** use this appliance to prepare food.

Initial Lighting: When lit for the first time, the appliance emits a slight odor. This is a normal temporary condition caused by the “burn-in” of internal paints and lubricants used in the manufacturing process and does not occur again. Simply run the main burner on high for approximately 30 minutes.



WARNING:

Children and adults should be alerted to the hazards of high surface temperatures and should stay away from the appliance to avoid burns or clothing ignition. The appliance comes with a heat shield which is an important safety component preventing contact with the fire bowl when adjusting the propane valve.

Children should be carefully supervised when they are in the area of the appliance.

Clothing or other flammable materials should not be hung from the appliance, or placed on or near the appliance. The area above the fire pit may be extremely hot. Direct contact with these surfaces should be avoided in order to prevent burns or clothing ignition.

Any guard or protective device removed for servicing the appliance must be replaced prior to operating the appliance. Installation and repair should be done by a qualified service person.

The appliance should be inspected before each use and at least annually by a qualified service person. More frequent cleaning may be required necessary. It is imperative that the control compartment, burners and circulating air passageways of the appliance be kept clean.



WARNING:

Never use the appliance while it is raining. Always turn the appliance off when raining.

Never use the appliance if the burner is damaged. Inspect the burner before each use. Ensure that no debris such as leaves; grass or other objects have entered or are on the appliance. If the burner is damaged it must be replaced prior to using this appliance with a replacement burner specified by your dealer.

Inspect the hose assembly before each use. If there is evidence of excessive abrasion or wear, or if the hose is damaged it must be replaced prior to using the appliance with a replacement hose assembly specified by your dealer.



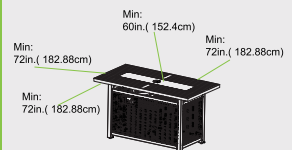
WARNING: Any modification to the appliance may compromise the safety of this appliance.

Special concern is as follows:

Do not bypass the thermocouple safety.

Do not operate the appliance if any parts have been under water. Immediately call a qualified service technician to inspect the appliance and replace any part of the control system, and any gas control, which has been under water.

CLEARANCE



PRODUCT ASSEMBLY

Operating (continued)

LEAK TESTING OPERATION



WARNING: A leak test must be performed annually or if a part of the gas system is replaced.



WARNING: Never use an open flame to check for gas leaks. Be certain no sparks or open flames are in the area while you check for leaks. Sparks or open flames will result in a fire or explosion, damage to property, serious bodily injury, or death.

LEAK TESTING:

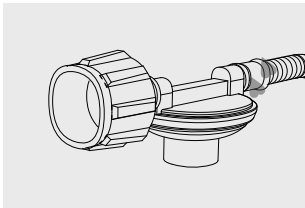
- 1, Make 2-3 oz. of leak detection solution by mixing one part liquid dishwashing soap with three parts water.
- 2, Make sure all fire pit and light valves are OFF
- 3, Apply several drops of solution where hose attaches to regulator.
- 4, Apply several drops of solution where regulator connects to cylinder.
- 5, Turn cylinder valve ON.

If bubbles appear at any connection, there is a leak.

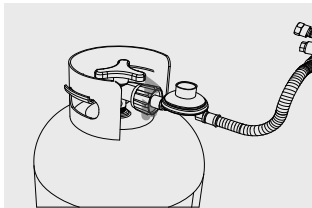
- 1, Turn cylinder valve OFF.
- 2, If leak is at hose/regulator connection: tighten connection and perform another leak test. If bubbles continue appearing, pls contact after service for assistance.
- 3, If leak is at regulator/cylinder valve connection: disconnect, reconnect, and perform another leak test. If you continue to see bubbles after several attempts, cylinder valve is defective, and contact 866-552-2810 for assistance.

If NO bubbles appear at any connection, the connections are secure.

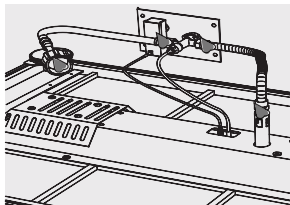
NOTE: Whenever gas connections are loosened or removed, you must perform a complete leak test .



Hose/Regulator
Connection



Regulator/Cylinder
Connection



PRODUCT ASSEMBLY

Operating (continued)

LIGHTING



CAUTION: Keep the outdoor gas appliance area clear and free from combustible materials, gasoline and other flammable vapors and liquids.

CAUTION: Do NOT obstruct the flow of combustion and ventilation air.

CAUTION: Check and clean burner/vent tubes for insects and insect nests. A clogged tube can lead to a fire.”

1. Make sure all labels, packaging and protective films have been removed from the outdoor fire pit.
2. Control knob must be in the "OFF" position (Figure 1).
3. Full open LP cylinder valve.
4. Press and hold electronic igniter button.
5. Press the control knob, turn counterclockwise to "Low" position, press and hold. When the burner lights, release the electronic igniter button (Figure 2).
6. Continue to depress the gas control knob for 30 seconds and then release. If the flame goes out, repeat the procedure.
7. Adjust the flame to the desired height with the gas control knob. Visually check the burner flames as picture below (Figure 3).
8. If the burner will not light with the electronic igniter, hold a lit long match or lit long butane lighter to the ignition area of the burner and continue with step 5.



WARNING: If the burner does not light within 10 seconds, turn the valve off and wait 5 minutes for gas to dissipate before repeating the procedure



WARNING: Surface of the fire pit can remain extremely hot for a period after use. Allow 45 minutes to cool to dissipate before repeating the procedure.

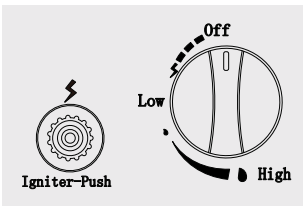


Figure 1

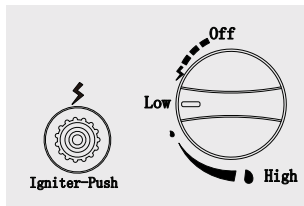


Figure 2

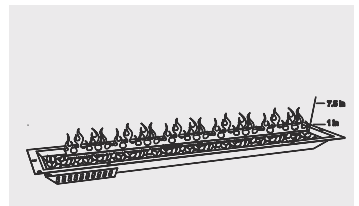


Figure 3

Shut Down

1. To extinguish burner depress control knob and continue to turn it clockwise to "OFF"
2. Turn cylinder valve clockwise to "OFF" and disconnect regulator when fire pit is not in use.

PRODUCT ASSEMBLY

Maintenance

Storage between uses:

1. Turn the control knob to "OFF" position.
2. Disconnect LP source.
3. Store heater upright in an area sheltered from direct contact with inclement weather (such as rain, sleet, hail, snow, dust and debris).
4. If desired, cover heater to protect exterior surfaces and to help prevent build up in air passages.

NOTE: Wait until heater is cool before covering.

Storage during periods of extended inactivity or when transporting:

1. Turn the control knob to "OFF" position.
2. Disconnect LP source and move to a secure, well ventilated location outdoors. DO NOT store in a location that will exceed 125 °F.
3. Store heater upright in an area sheltered from direct contact with inclement weather (such as rain, sleet, hail, snow, dust and debris).
4. If desired, cover heater to protect exterior surfaces and to help prevent build up in air passages.

NOTE: Wait until heater is cool before covering.

Care and Cleaning

To enjoy years of outstanding performance from your heater, make sure you perform the following maintenance activities on a regular basis:

1. Whenever conduct hose/regulator inspection, pull out the door using handle on the door panel to gain access.
2. Keep exterior surface clean.
3. Use warm soapy water for cleaning. Never use flammable or corrosive cleaning agents.
4. While washing your unit, be sure to keep the area around the burner dry at all times. If the gas control is exposed to water, do NOT try to use it. It must be replaced.
5. Keep the appliance area free and clean from combustible materials, gasoline or other flammable vapors and liquids.
6. At least once a year, the unit should be inspected for the presence of spiders, spider webs or other insects.
7. Air flow must be unobstructed. Keep controls, burner, and circulating air passageways clean. Signs of possible blockage include:
 - Gas odor with extreme yellow tipping of flame.
 - Heater does NOT reach the desired temperature.
 - Heat glow is excessively uneven.
 - Heat makes popping noises.
8. Spider and insects can nest in burner or orifices. This dangerous condition can damage heater and render it unsafe for use. Clean burner holes by using a heavy-duty pipe cleaner. Compressed air may help clear away smaller particles.
9. Carbon deposits may create a fire hazard. Clean reflector, thermocouple, and emitter screen with a dry cloth if any carbon deposits develop.
10. The burner is made from stainless steel, but extreme heat and a corrosive environment can cause surface corrosion to occur. This can be removed with a brass wire brush. Inspect the burner at least annually for cracks, insect nests, excessive corrosion or any other damage. If the burner is damaged, it must be replaced with a burner specified by the manufacturer before the appliance is put into operation.

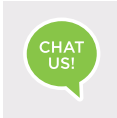
PRODUCT ASSEMBLY

Troubleshooting

PROBLEM	PROBLEM CAUSE	SOLUTION
The flame and heat are low when the valve is turned to high.	The propane lighting procedure was not followed correctly.	Ensure lighting procedure is followed carefully. The valve must be in the off position when the tank valve is turned on. Turn the tank on slowly to allow pressure to equalize. See Lighting Instructions in the Operating section.
Burners burn with yellow flame, accompanied by the smell of gas.	There is possibly a spider web or other debris.	Thoroughly clean the burner venturi. See the Maintenance section.
The burner will not light with the igniter, but will light with a match.	The battery is either dead or installed incorrectly. There is a loose electrode wire or switch terminal wires.	Check the installation or replace with a new battery. Check that the electrode wire is firmly pushed onto the terminal on the back of the igniter. Check that the lead wires from the module to the ignition switch (if equipped) are firmly pushed onto their respective terminals.
The burner will not stay lit when control knob is released.	The knob is not being held in long enough. It is too windy outside. Lava rock or debris are in the ignition area of the burner preventing the thermocouple from being fully engulfed in flame. Either the thermocouple or thermocouple connection is dirty. Either the thermocouple or valve is faulty.	The thermocouple must have time to heat up. Hold the knob in for 30 seconds after the burner lights, then release. The unit will shut down if winds are greater than 10 mph (16 km/h). Either locate the fire pit to a different area or use when it is less windy. Ensure there is no lava rock or other debris in the ignition area, and that the small hole below the thermocouple is unobstructed. Clean the thermocouple and clean the connection between the valve and thermocouple. Ensure the connection is properly tightened. Replace thermocouple and/or valve.
The regulator is humming.	This is a normal occurrence on hot days.	This is not a defect. It is caused by internal vibrations in the regulator and does not affect the performance or safety of the gas heater. Humming regulator will not be replaced.
The valve is set to high but there is low heat output. There is also a rumbling noise and a fluttering blue flame at the burner surface.	There is not enough gas. The supply hose is pinched. The burner orifice is either dirty or clogged. There are spider webs or other matter in venturi tube. The propane regulator is in a "low flow" state.	Check the gas level in the propane cylinder. Reposition the supply hose as necessary. Clean the burner orifice. Clean out the venturi tube. Ensure the lighting procedure is followed carefully. All valves must be in the off position when the tank valve is turned on. Turn tank on slowly to allow pressure to equalize. See the Lighting Instructions in the Operating section.

HELP CENTER

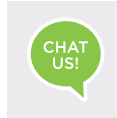
Question about your product? We're here to help. Visit us at:



Chat Support



Product Inquiry



Orders FAQ



Product Assembly



Returns & Refunds

We Stand Behind the Quality of Their Furniture

If you have any issues with your item please let us know! We will always do our best to come up with a solution that you will be happy with.

Please get in touch with our customer service team before returning the product.

And pls do not throw the original box(es) if you have not finished assembling or confirmed no quality issues.

Length of return period:

Items can be returned within 30 days of purchase.

In the meanwhile, everything you purchased from us comes with a one-year warranty.

Who is responsible for the return shipping fee:

We will cover the return shipping fees if:

1. Your item has a manufacturing defect in its materials or workmanship. For example, torn wicker or misaligned screw holes. We will send you a prepaid shipping label after photos are sent.
2. Your item has been damaged in transit. For example, glass is broken or wicker is damaged. We will send you a prepaid shipping label after photos are sent.
3. You receive the wrong box(es) due to a warehouse error. We will send you a prepaid shipping label after photos are sent of the wrong SKU numbers on the outer box(es).
4. One or more boxes are lost in transit. We will send you a prepaid shipping label if you no longer want the item.

*However, we still hope to work with you for a better solution instead of a return. Please don't hesitate to contact our customer service team.

Customer will cover the return shipping fees if:

1. You don't like the product(s) after receiving the box(es).
2. You no longer need the product(s) but you have received the box(es).
3. You buy the product(s) by mistake but you have received the box(es).
4. Order/Shipment cancellation failed and you have received the box(es).

Return Request

In order to get a full refund as described in this return policy, all items must be: (1) In a brand new/unused condition, please provide photos before and after packaging. (2) When returning, all accessories and parts are firmly packed in all original packaging. If your return does not meet the requirements, you may not get a full refund.

When will I be refunded?


The refund is released once the goods have been returned to our warehouse.

What if the product is damaged/defective outside of the valid return period?

We want you to be a happy customer. Please reach out to us by email and we will come up with a solution to make sure you are satisfied.

Reach us at

 service@kmcglobe-us.com

 (only us) +1 213-816-4788