

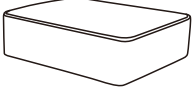

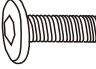

Assembly Instructions

Your footstool comes packaged in one box.

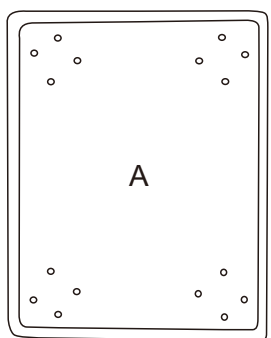
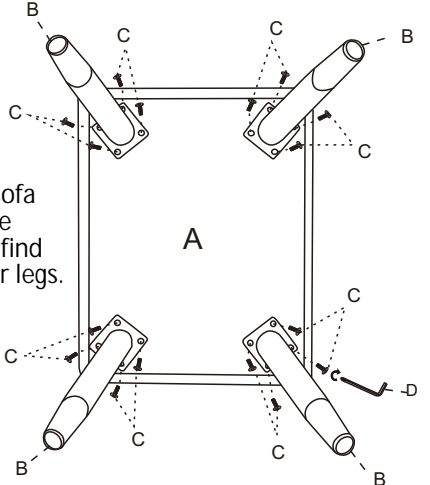
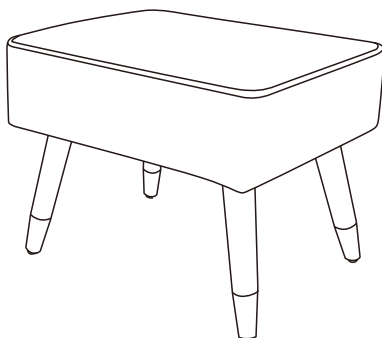
DO NOT use any sharp objects to open plastic wrapped components as damage to product or components may result.

Carefully remove all of the components from the packaging and set aside for assembly.

Assemble on a soft surface to prevent scratching the finish.

A  1PC	B  4PC	C  M6*20mm 16PC	D  1PC	
---	--	--	---	--

Assembly

Step 1  A	Step 2  A Legs are in the sofa carton. Open the carton, you can find the small box for legs.
Step 3 	

Your style may differ from images.

Care for your furniture by periodically tightening all legs.

Fabric will fade or discolor in direct sunlight.

Minimize exposure to direct sunlight to extend the life of your furniture.