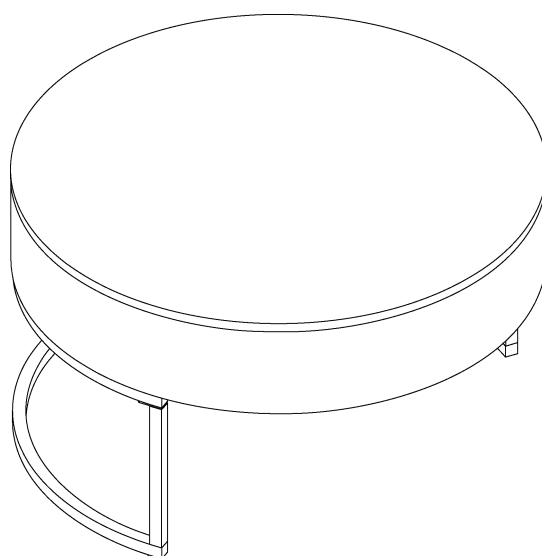


COFFEE TABLE-N735P338994K

Assembly Instructions - Please keep for future reference.



DIMENSIONS

Width - 31.50 inch

Depth - 31.50 inch

Height - 18.375 inch

Important - Please read those instructions fully before starting assembly.

1. Thank you for choosing our products.
2. Return Policy



DO NOT RETURN TO THE STORE! Skip the of process returning your product and contact us directly for a replacement.

If you find that parts of your order are missing or damaged, we will gladly ship any needed replacement parts free of charge. If your product's quality does not meet your expectations or you have found any sort of defect, please contact our customer service department and let us know the details of your order and any issues encountered, we will try our best to provide you with a solution. Feel free to also directly contact our manufacturer concerning needed replacement parts and they will be happy to help provide you with a solution or answer any questions you may have.

Recommendations Before Beginning Assembly

Read instructions, cover to cover

Have 2-4 adults on hand for assembly depending on product size

Do not assemble directly on floating or carpet

Assemble on a clean non-marring surface (example:packing foam)

Save all packaging until finished

3. Assembly Notice:

If you encounter any problems during assembly and find that you cannot continue, rest assured we will help you solve the situation as soon

- as possible. Simply keep all of the parts of the products to redina safe place and contact us immediately so we may assist you further.
- Once you have opened your package, remove all inner hardware packages and take the parts out. One by one, Place the parts out neatly infront of you, then refer to the instructions to ensure no parts are missing.If any pieces are found missing, please carefully look in the box first, as the hardware packaging might have torn making the hardware spill in the box. Some key parts of your product maybe stored and hidden inside of other parts. Please open any zippered or hook & loop storage
- Compartments to remove all parts. (example:cushions and legs being stored in the underside of a sofa)
IMPORTANT: When setting up your product, **DO NOT INSTALL THES CREWS ALL THE WAY IN THE BEGINNING.** Place each acrew into their proper hole and use your hand to twist the screw halfway. Twist all the screws in halfway to ensure the holes will match up properly and the product is level on the ground. When everything seems fitted, then tighten thes crews.

When you have completed assembly, we suggest you have more than one person to assist you with lifting and placing the product.

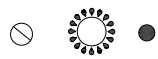
Care & Maintenance



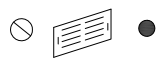
Do not put hot items directly on furniture surface



Do not clean furniture with harsh cleansers or polish



Do not place furniture under direct sunlight



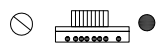
Do not place furniture near heating or cooling vents



Do not write on furniture without a padded barrier to protect the surface



Do not place furniture outside. For indoor use only



Not for commercial use. For residential use only



Children should not climb or jump on the furniture



Dust and pick-up spills using a clean, non-colored, lint-free cloth

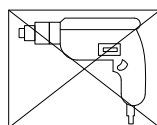


Do not place furniture outside. For indoor use only

Caution

This product contains small components. Please ensure that they are kept away from small children.

Do not use power tools to assemble your furniture. Power tools may strip or damage the parts.



ASSEMBLY INSTRUCTION

components -fittings

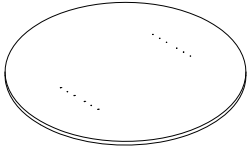
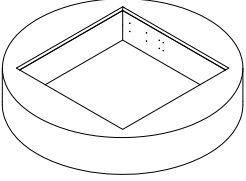
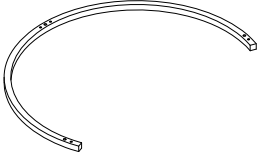
PLEASE CHECK YOU HAVE ALL THE PANELS LISTED BELOW.

Note: The quantities below are the correct amount to complete the assembly.

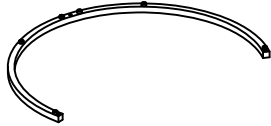
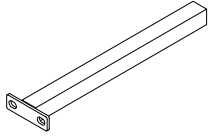
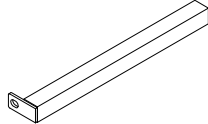
In some cases more fittings may be supplied than are required.

N735P338994K

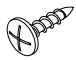
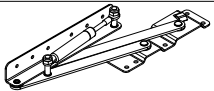
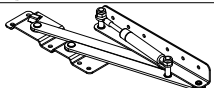
Part List:

ITEM	DESCRIPTION	PART	QTY
1	Top panel		1
2	Cabinet		1
3	Leg 1		1




Part List:

ITEM	DESCRIPTION	PART	QTY
4	Leg 2		1
5	Bracing 1		1
6	Bracing 2		2

Hardware List:

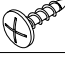
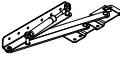
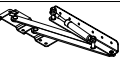
ITEM	DESCRIPTION	PART	QTY
A	Screw		28+1
B	Left lifter		1
C	Right lifter		1

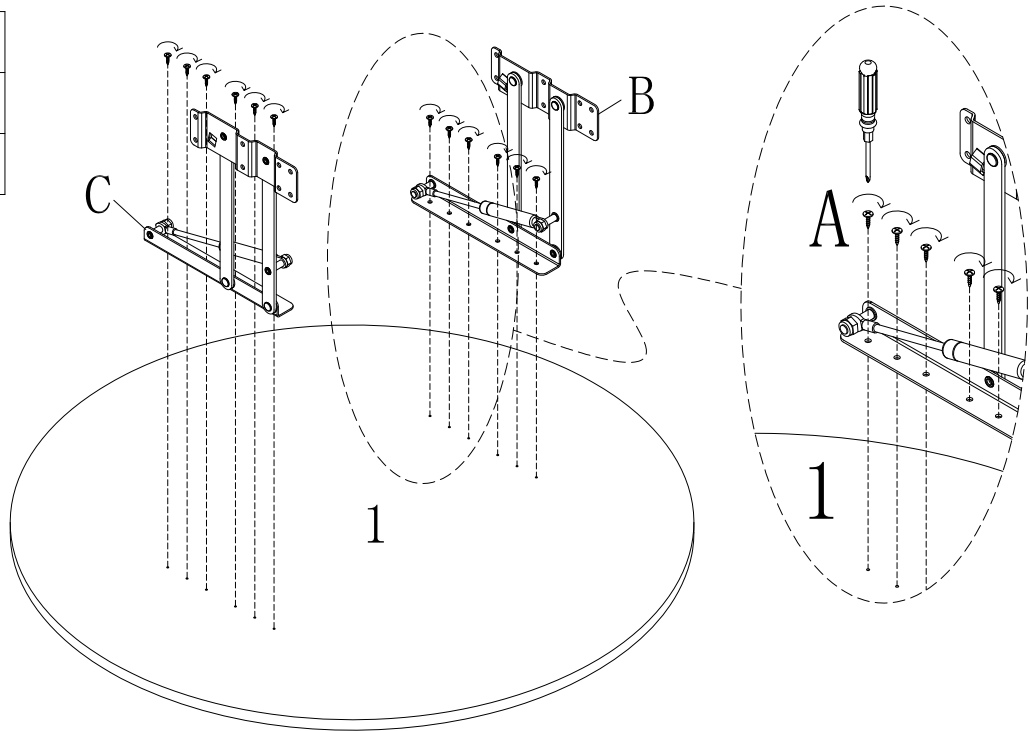
Hardware List:

ITEM	DESCRIPTION	PART	QTY
D	Bolt	 Ø1/4" * 1-1/8"	6
E	Short bolt	 Ø1/4" * 1/2"	4
F	Allen wrench		1


ASSEMBLY INSTRUCTION

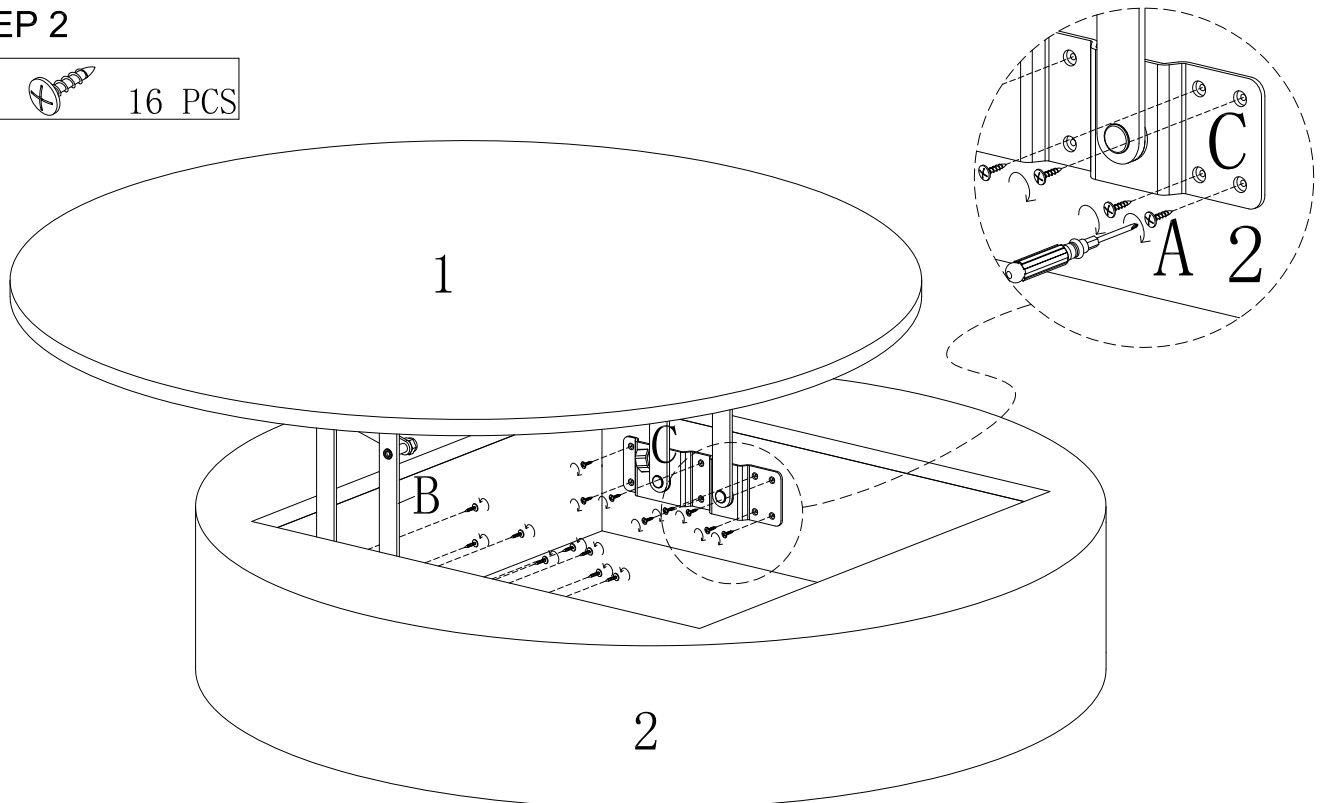
STEP 1

A:		12 PCS
B:		1 PC
C:		1 PC



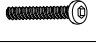

STEP 2

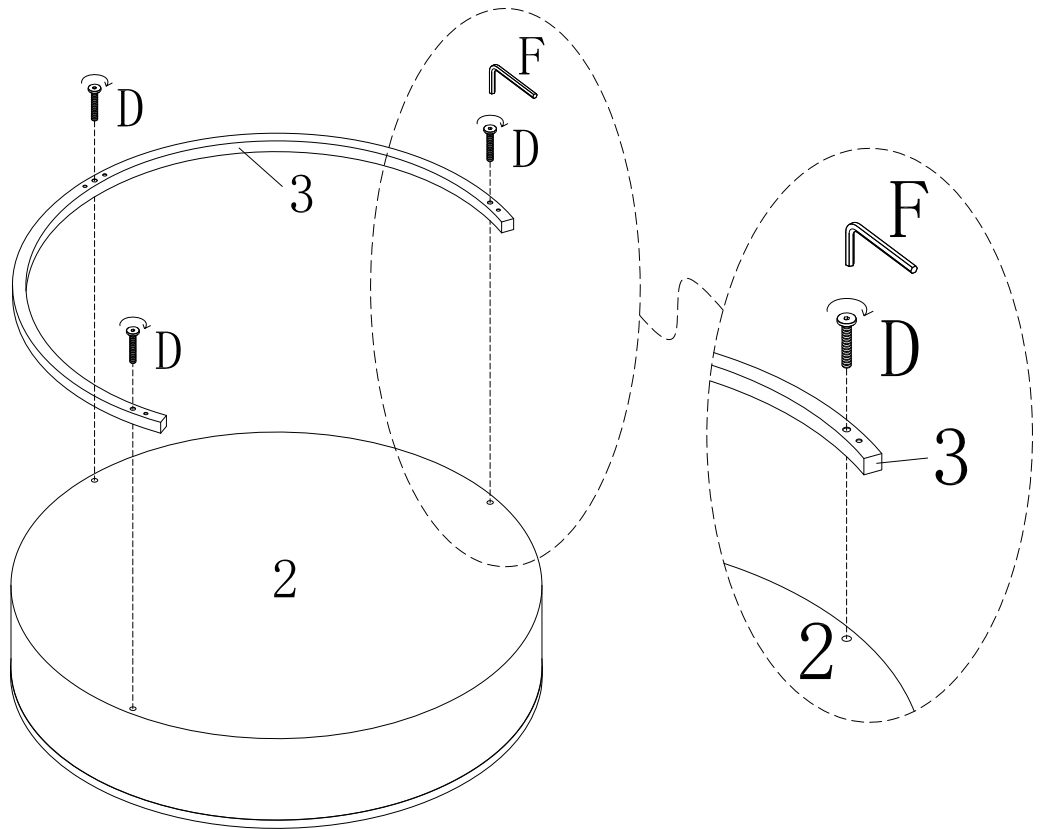
A:		16 PCS
----	---	--------





ASSEMBLY INSTRUCTION

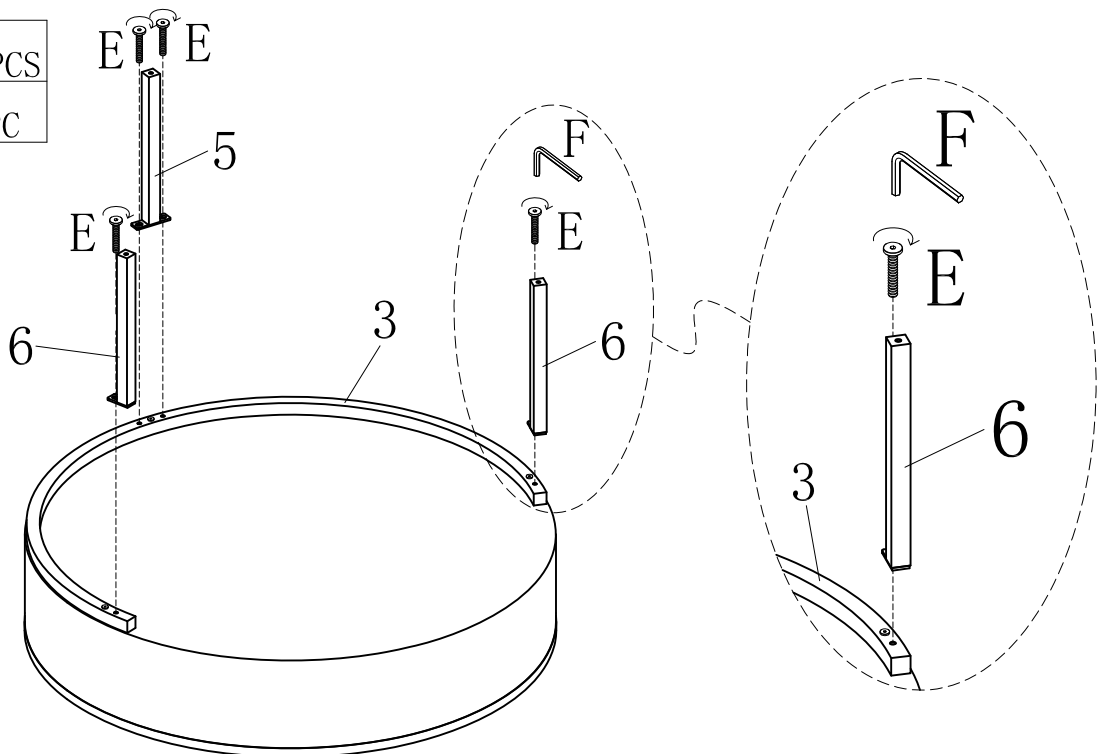
STEP 3

D:		3 PCS
F:		1 PC



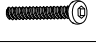

STEP 4

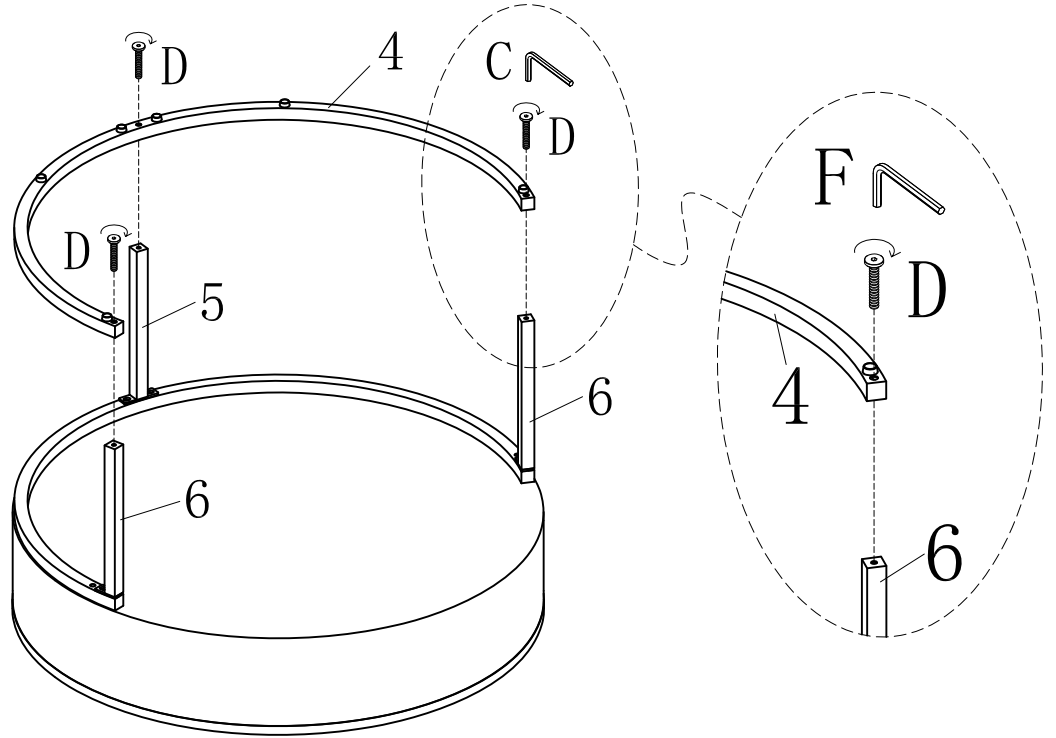
E:		4 PCS
F:		1 PC



ASSEMBLY INSTRUCTION

STEP 5

D:		3 PCS
F:		1 PC



STEP 6

