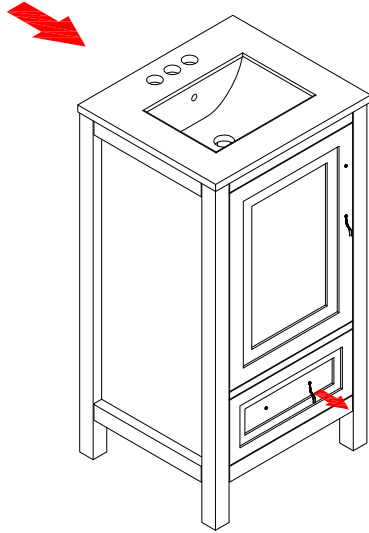


Installation & Assembly

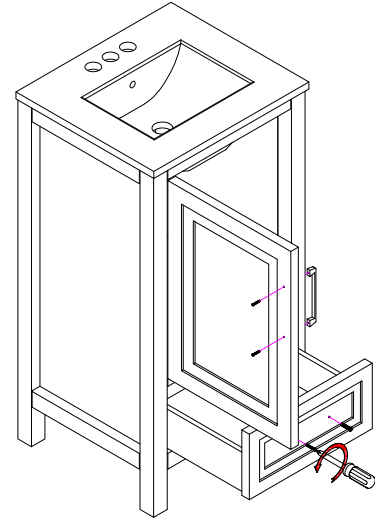
STEP 1



Please first use the rope on the screw to open the drawer, or push down the drawer from the back panel hole to open it.

STEP 2

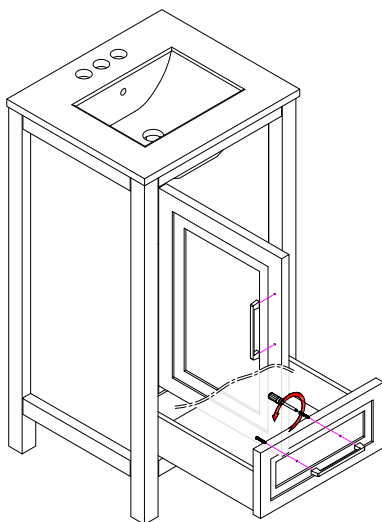
Screw Driver



UNSCREW

STEP 3

Screw Driver



INSTALL HANDLES

STEP 4

