

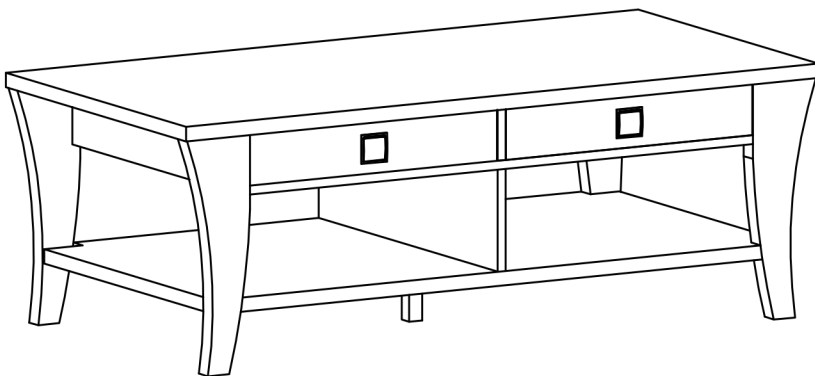
ASSEMBLY INSTRUCTIONS

TOOLS REQUIRED



**Philips
Screwdriver**

(Not Included)



**2 - Persons
Recommended**

ASSEMBLY RATING



EASY —————> DIFFICULT

The Assembly Rating is a 5-point system showing the level of effort needed to assemble a specific product.



CHECK BEFORE STARTING



Are you missing anything?

Double-check all parts, hardware and accessories listed on Page 6 are accounted for.



Check out our Quick Tips!

We recommend reviewing the pre-assembly handouts. Even experts need a refresher now and then!

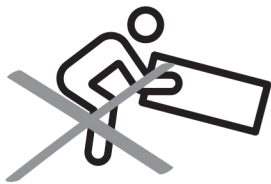


Prep Time!

Please review the assembly instructions and all diagrams prior to assembling. Arrange parts as recommended on Page 7 and group identical hardware together to make assembling easier.

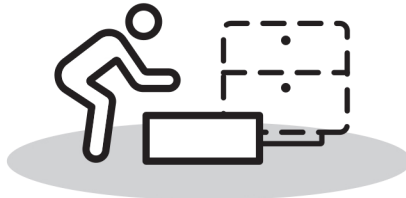
PRE ASSEMBLY INTRODUCTION

We understand building ready-to-assemble furniture can be a challenging experience for some. To help avoid confusion, we have provided some helpful tips that may speed up the process.



Teamwork

ALWAYS have at least two people to help with transporting and assembling the product to avoid potential injury and/or damage.



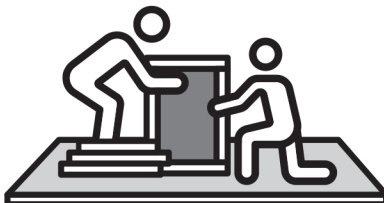
Suitable Location

Assembling near the area of the intended location is highly recommended.



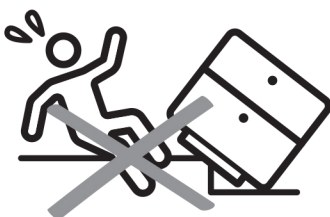
Sufficient Space

Make sure you have enough space to move around during the assembly.



Avoid Scratches

Use cardboard, blankets or a carpeted area while assembling furniture to prevent scratches.



Flat Surface

Make sure the furniture rests on a flat and level surface with each leg evenly touching the floor.

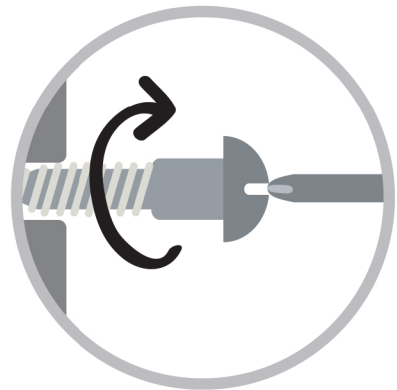
ASSEMBLY AND CARE ADVICE



FAILURE TO FOLLOW THE GUIDELINES BELOW MAY RESULT IN INJURY AND/OR PROPERTY DAMAGE.



Position each part correctly and insert screws or bolts into their respective holes.



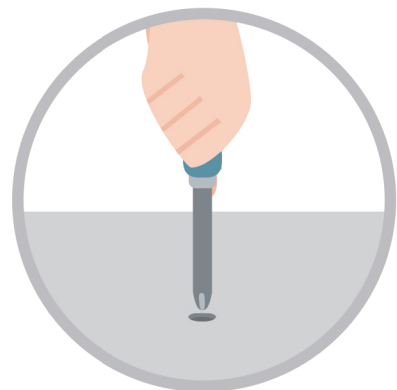
Turn clockwise to tighten and only tighten when step is completed or when instructed to do so.



Use the appropriate hand tools or power tools for assembly. Select steps, such as tightening screws and/or bolts, may require hand tools to avoid causing damage during assembly.



Save the instructions and store any supplied tools for later maintenance.



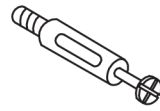
After two weeks, check and tighten any loose hardware and repeat again every six months thereafter.

IT IS THE USER'S RESPONSIBILITY TO MAINTAIN THE FURNITURE. THE HARDWARE MAY LOOSEN OVER TIME AND MAY CAUSE THE FURNITURE TO BE WOBBLY AND UNABLE TO SUPPORT ITS INTENDED WEIGHT CAPACITY. THIS MAY LEAD TO COLLAPSE AND MAY CAUSE SERIOUS INJURY.

CAM LOCK FASTENER ASSEMBLY INSTRUCTIONS

Note :

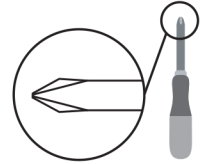
Every cam lock bolt must have a cam lock connector in order to fasten the parts together.



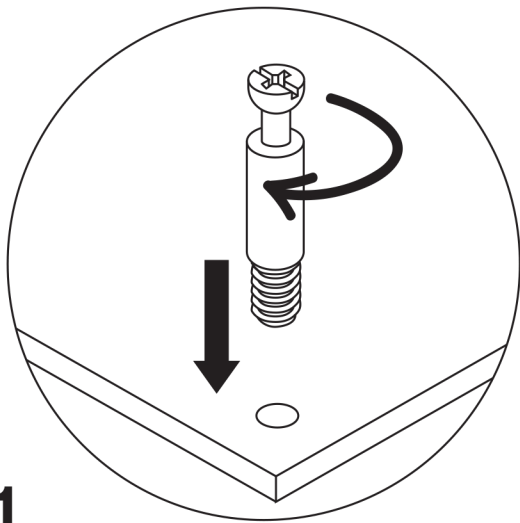
cam bolt



cam lock

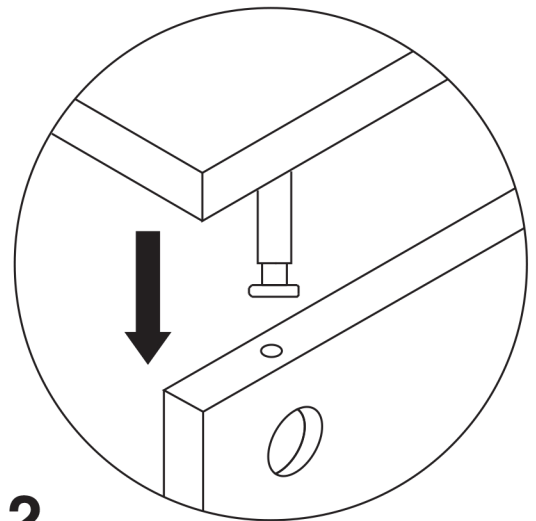


screwdriver



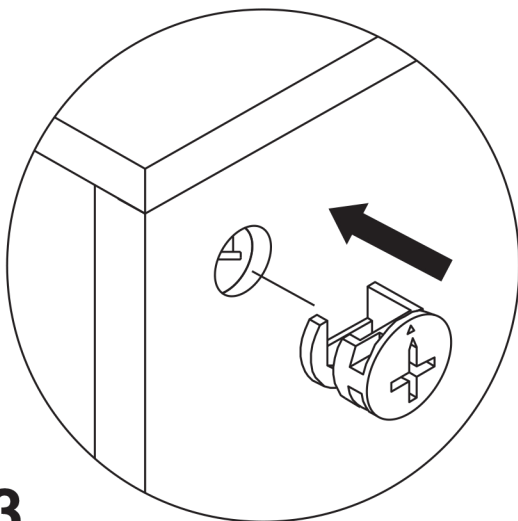
1

Screw the cam bolt into panel.



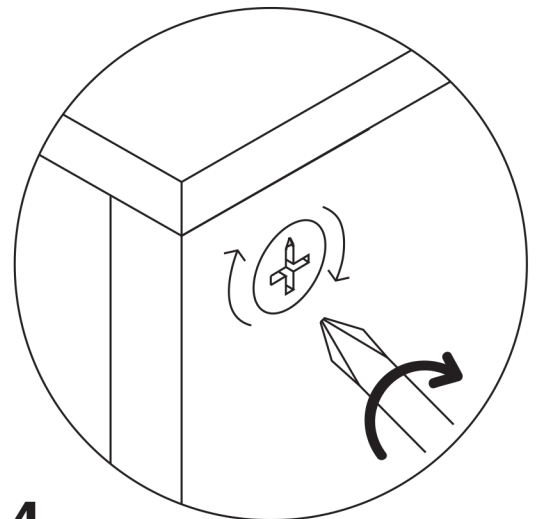
2

Insert the cam bolt into the bolt hole of joint panel.



3

Align the cam lock with its side opening (or arrow) pointing to cam bolt.



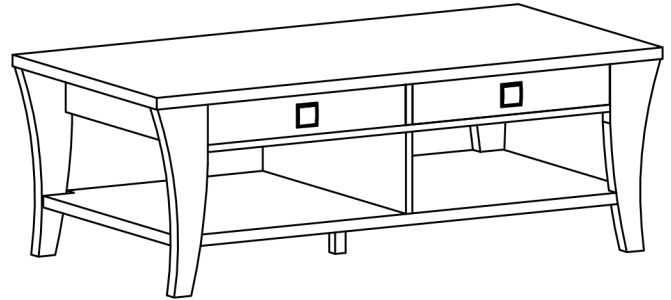
4

Turn the cam lock clockwise gently until it will not turn any more.

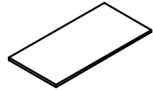
COFFEE TABLE

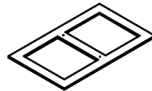



- Please keep instructions for future reference.
- Check the quantity and irregularity of parts and hardware before you start.

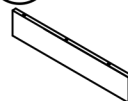


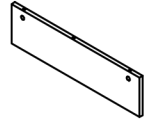
PARTS

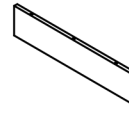
#1 1pc

 Table Top


#2 1pc

 Shelf Frame

#3 1pc

 Bottom Panel

#4 1pc

 Divider Panel

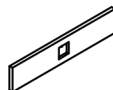
#5 1pc

 Bottom Center Panel

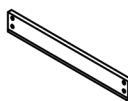
#6 2pcs

 Side Panel

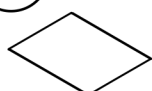
#7 2pcs

 Front Right / Rear Left Leg


#8 2pcs


 Rear Right / Front Left Leg

#9 4pcs

 Drawer Front Panel

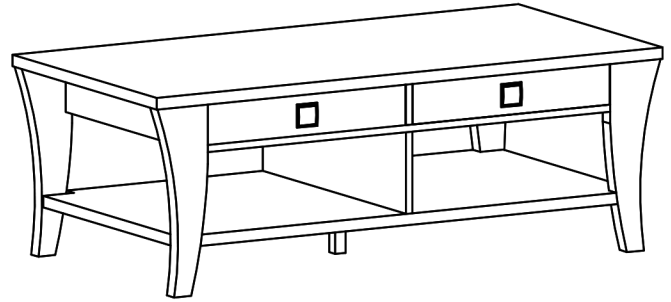
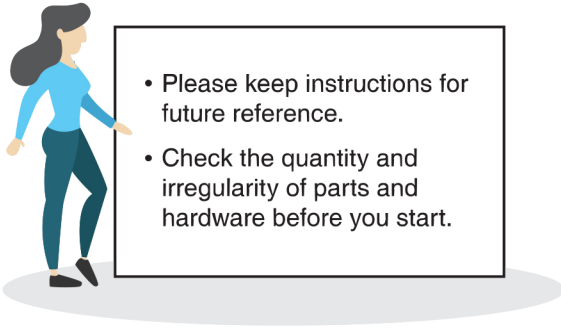
#10 4pcs

 Drawer Side Panel

#11 2pcs

 Drawer Bottom Panel

#12 2pcs

 Drawer Bottom Support

#13 1pc

 Support Leg

COFFEE TABLE



HARDWARE

#A 24pcs



Large Cam Bolt L29

#B 24pcs



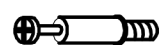
Large Cam Lock Ø15

#C 18pcs



Wood Dowel Ø8x25

#D 16pcs



Small Cam Bolt L20

#E 16pcs



Small Cam Lock L12

#F 8pcs



Wood Dowel Ø6x30

#G 2pcs



Small Screw Ø6x12

#H 4pcs



Large Screw Ø4x40

#I 4pcs



Handle 48x48x14

#J 4pcs



Handle Screw Ø4x10

#K 6pcs



Sticker Ø22

#L 4pcs



Foot Tack

#M 1pc



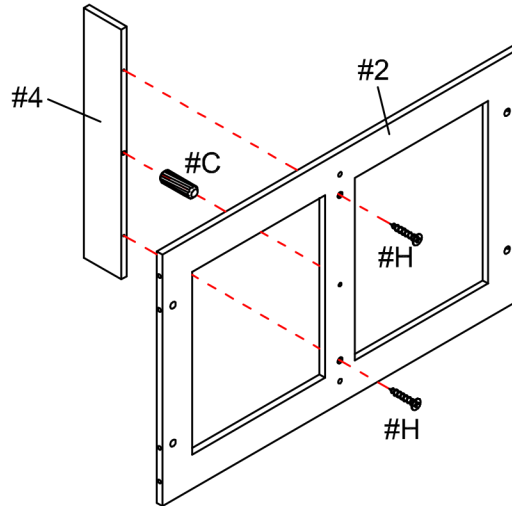
Glue

ASSEMBLY INSTRUCTIONS

1

Insert dowel (#C) to the hole of the divider panel (#4). Align the divider panel (#4) to the holes of the shelf frame (#2). Secure by using screws (#H).

- Part #2 x1pc
- Part #4 x1pc
- Hardware #C x1pc
- Hardware #H x2pcs

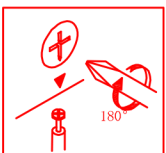
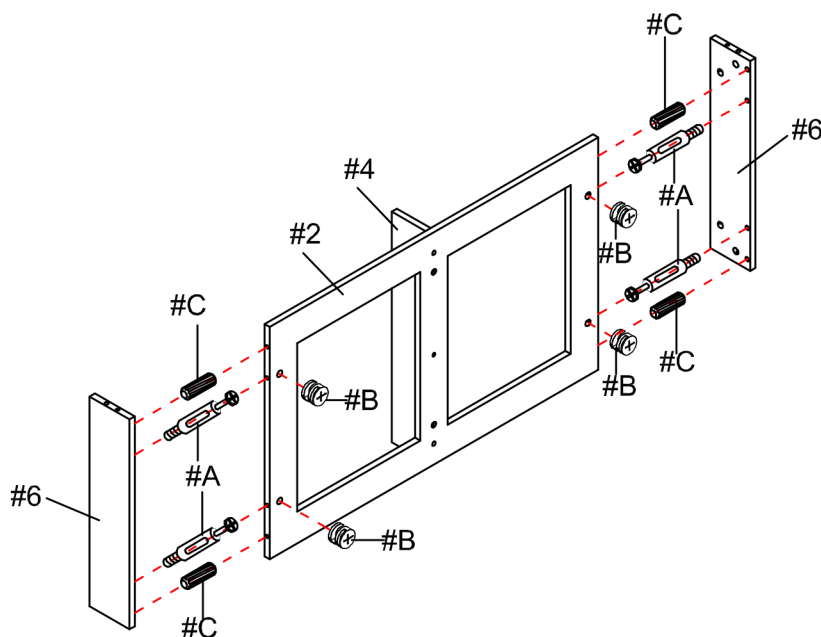


Tip: Place parts on the flat level surface to ease alignment and assemble.

2

Attach dowels (#C) and cam bolts (#A) to the holes of the side panels (#6), then align side panels (#6) to the holes of the shelf frame (#2). Secure by using cam locks (#B) onto cam bolts (#A).

- Part #6 x 2pcs
- Hardware #A x4pcs
- Hardware #B x4pcs
- Hardware #C x4pcs

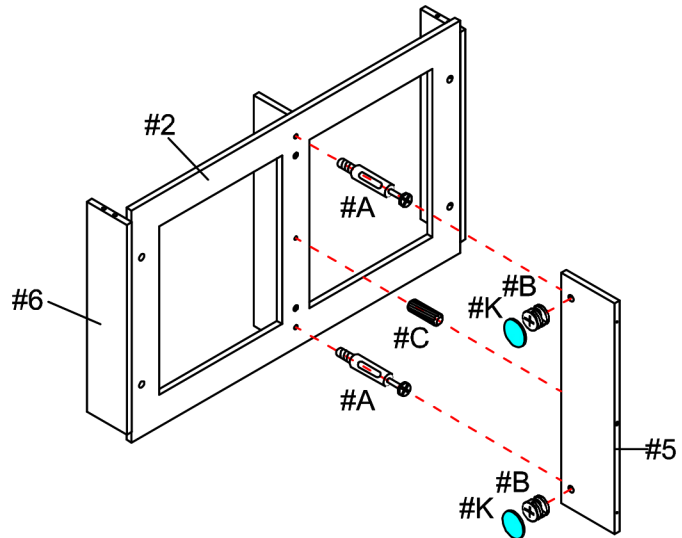


ASSEMBLY INSTRUCTIONS

3

Attach cam bolts (#A) and dowel (#C) onto shelf frame (#2).
Align bottom panel (#5) to the shelf frame (#2), then secure by using cam locks (#B).

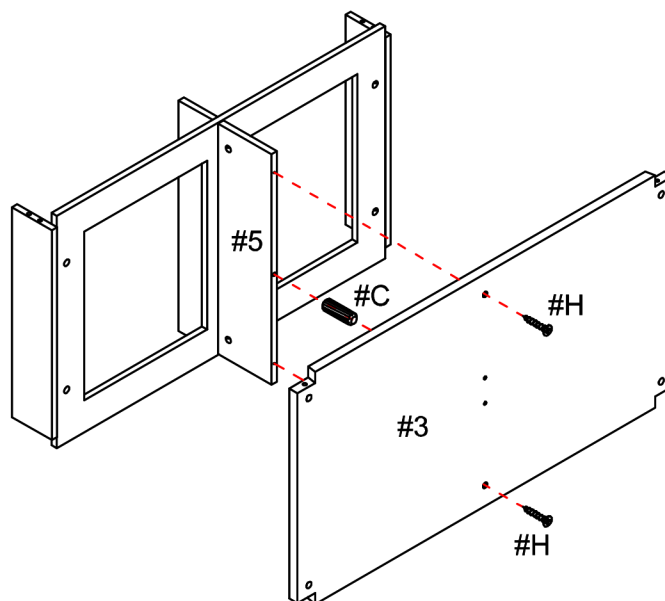
- Part (#5) x 1pc
- Hardware (#A) x 2pcs
- Hardware (#B) x 2pcs
- Hardware (#C) x 1pc
- Hardware (#K) x 2pcs



4

Attach dowel (#C) to the hole of the bottom panel (#5).
Align large bottom panel (#3) to the bottom panel (#5), then secure by using screws (#H).

- Part (#3) x 1pc
- Hardware (#C) x 1pc
- Hardware (#H) x 2pcs



ASSEMBLY INSTRUCTIONS

Attach cam bolts (#A) and dowels (#C) to the holes of the legs (#7,8). Align legs (#7,8) to the holes of the product, then secure by using cam locks (#B).

5

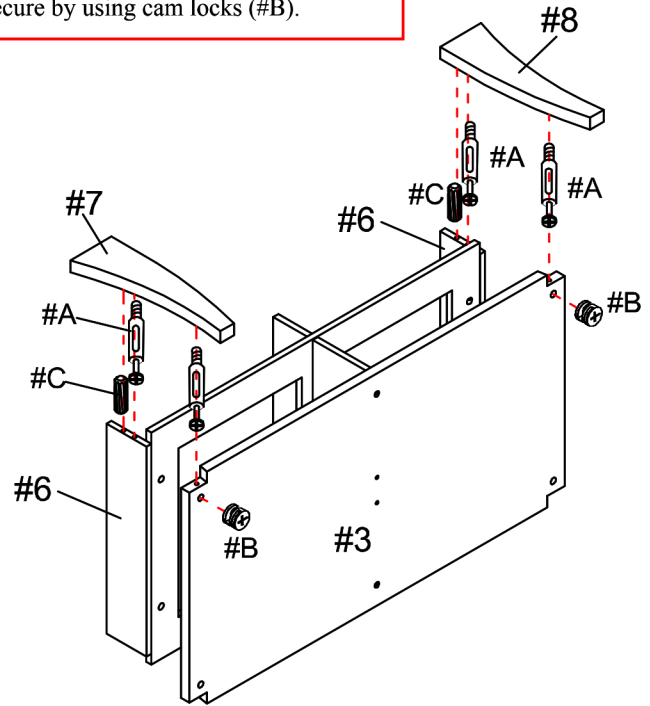
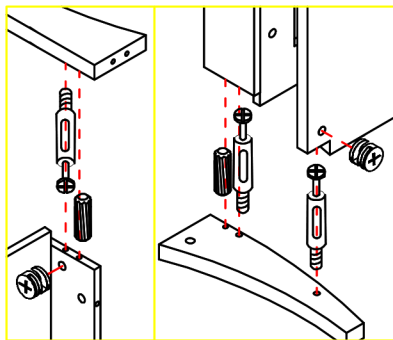
Part #7 x 1pc

Part #8 x 1pc

Hardware #A x 4pcs

Hardware #B x 4pcs

Hardware #C x 2pcs



6

Attach cam bolts (#A) and dowels (#C) to the holes of the legs (#7,8). Align legs (#7,8) to the holes of the product. Secure by using cam locks (#B).

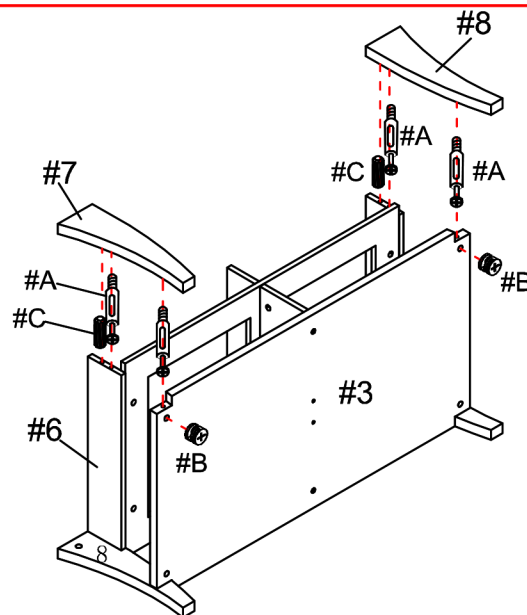
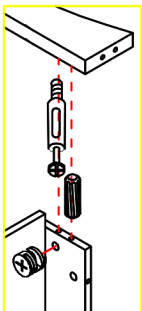
Part #7 x 1pc

Part #8 x 1pc

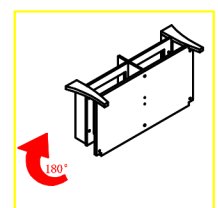
Hardware #A x 4pcs

Hardware #B x 4pcs

Hardware #C x 2pcs



Flip the product 180 degrees.

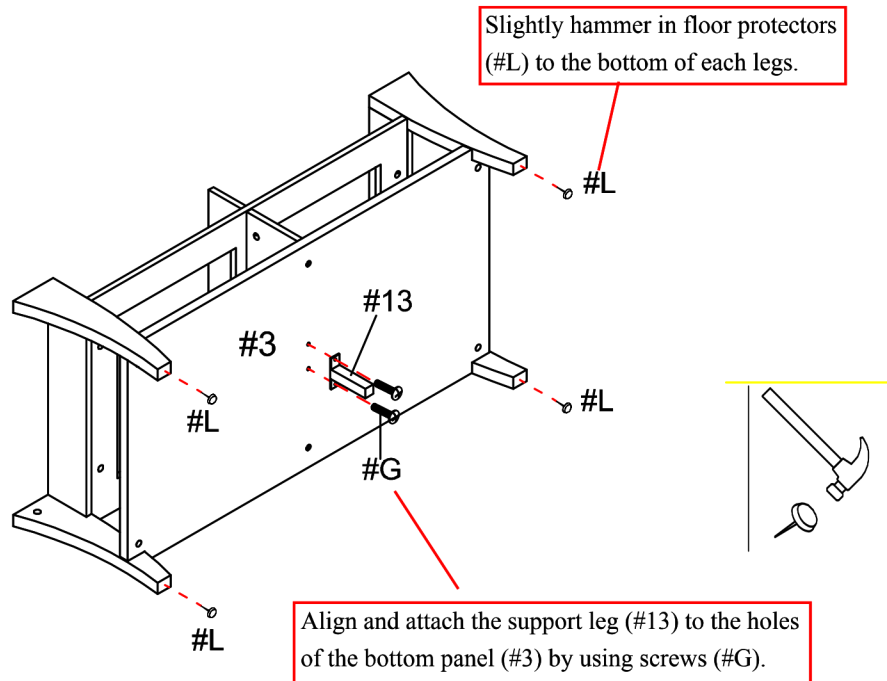


ASSEMBLY INSTRUCTIONS

7

Part #13 x 1pc

Hardware #G x 2pcs

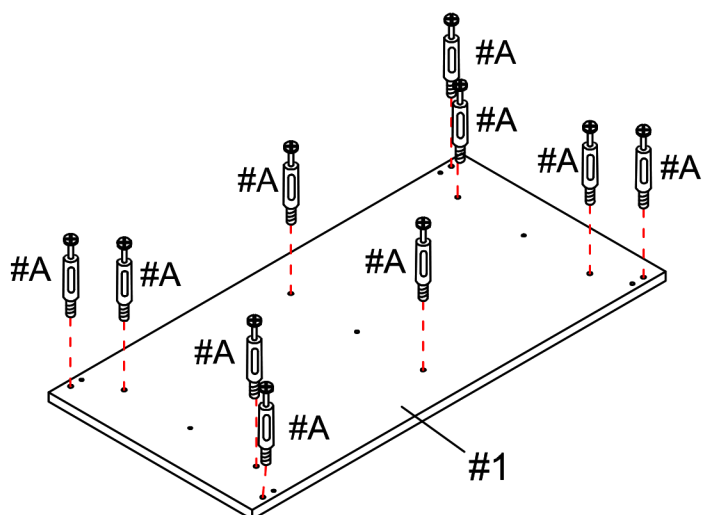


8

Attach cam bolts (#A) to the holes of the top panel (#1).

Part #1 x 1pc

Hardware #A x 10pcs



ASSEMBLY INSTRUCTIONS

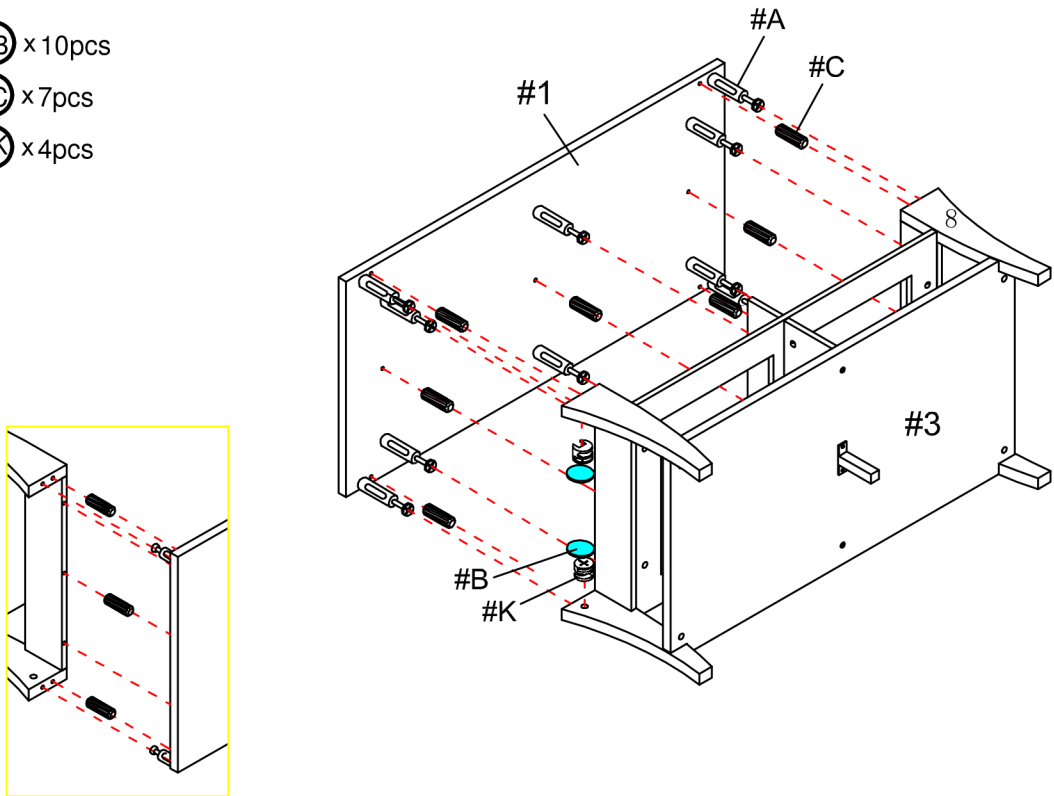
9

Attach dowels (#C) to the holes of the top panel (#1). Align top panel (#1) to the holes of the base. Secure by using cam locks (#K), then use stickers (#B) to cover cam locks (#K).

Hardware #B x 10pcs

Hardware #C x 7pcs

Hardware #K x 4pcs



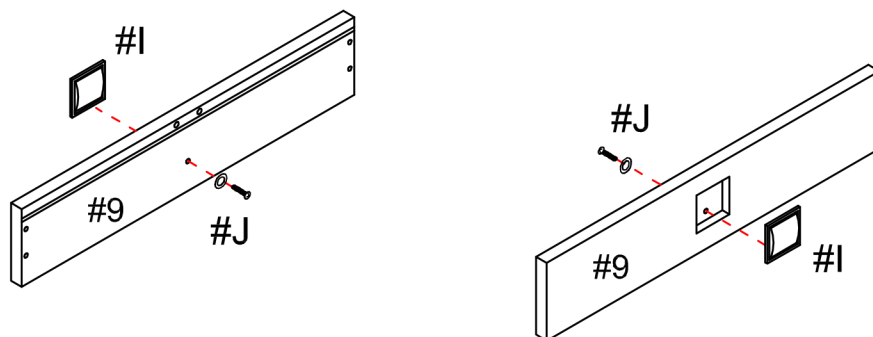
10

Part #9 x 4pcs

Hardware #I x 4pcs

Hardware #J x 4pcs

Align handle (#I) to the front hole of the front drawer panel (#9). Secure by using bolts and washers (#J).



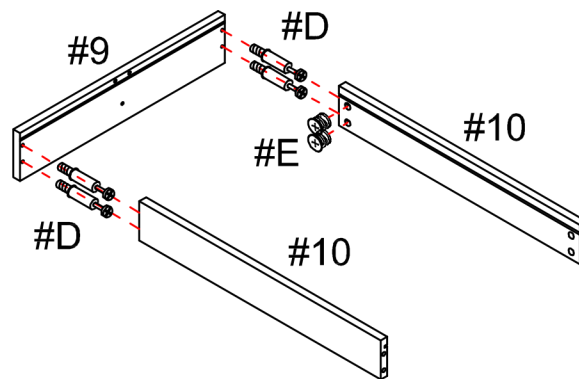
x 2

ASSEMBLY INSTRUCTIONS

11

Attach cam bolts (#D) to the holes of the front drawer panel (#9). Align front drawer panel (#9) to the holes of the side drawer panels (#10). Secure by using cam locks (#E).

- Part #10 x 4pcs
- Hardware #D x 8pcs
- Hardware #E x 8pcs

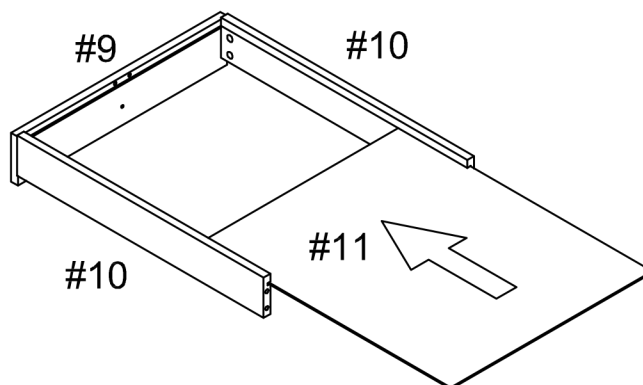


x 2

12

Slide the bottom panel (#11) through the thin lined gaps of the drawer.

- Part #11 x 2pcs



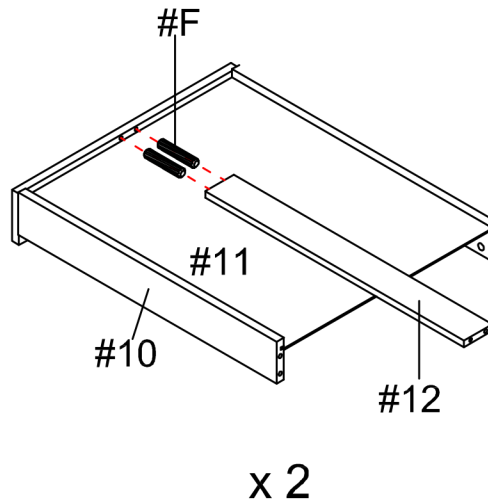
x 2

ASSEMBLY INSTRUCTIONS

13

Insert dowels (#F) to the holes of the drawer bottom support (#12). Attach drawer bottom support (#12) to the holes of the drawer back panel.

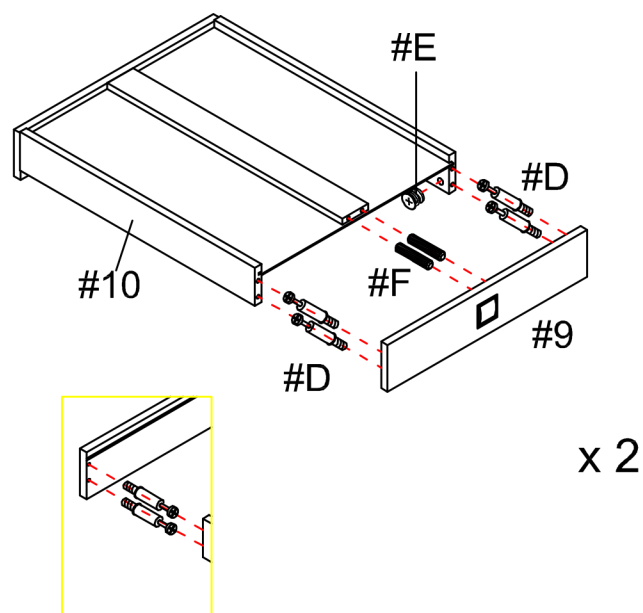
Part #12 x 2 pcs
Hardware #F x 4 pcs



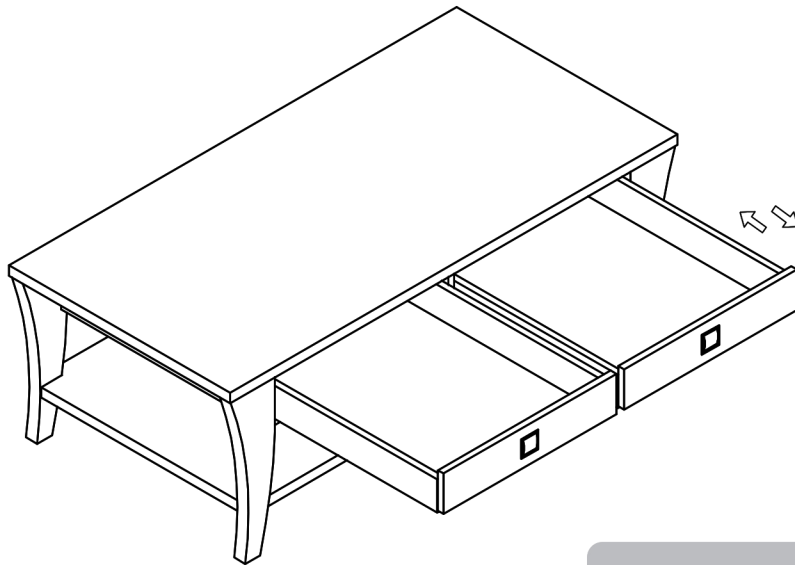
14

Attach cam bolts (#D) and dowels (#F) to the holes of the front drawer panels (#9). Align front drawer panel (#9) to the holes of the drawer, then secure by using cam locks (#E).

Part #9 x 2 pcs
Hardware #D x 8 pcs
Hardware #E x 8 pcs
Hardware #F x 4 pcs



ASSEMBLY INSTRUCTIONS



ASSEMBLY COMPLETED



Please ensure the furniture rests on an even and flat surface. If the product wobbles or feels loose, double-check all bolts and/or screws are properly tightened and secured.



Keep this handy!

Please retain this instruction manual and any order-related information for future reference.