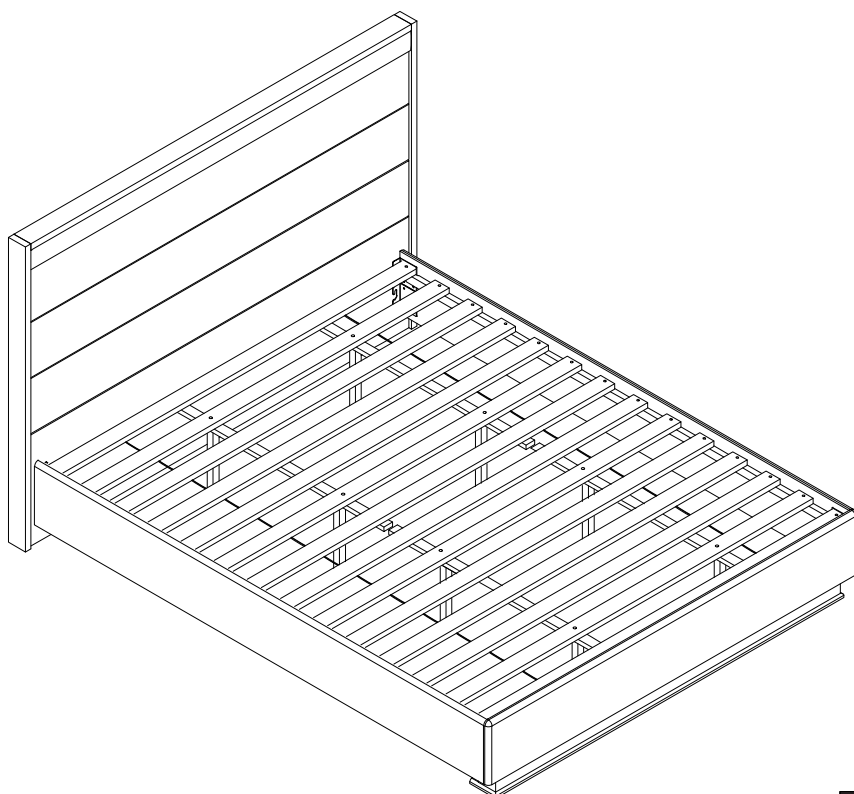


# ASSEMBLY INSTRUCTIONS

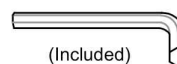
---



## TOOLS REQUIRED



Screwdriver  
( Not included)



(Included)  
Allen Wrench



2 - People

## ASSEMBLY RATING



EASY —————> DIFFICULT

The Assembly Rating is a 5-point system showing the level of effort needed to assemble a specific product.



## **CHECK BEFORE STARTING**

### **Are you missing anything?**

Double-check all parts, hardware and accessories listed are all accounted for.

### **Check out our Quick Tips!**

We recommend reviewing the pre-assembly handouts. Even experts need a refresher now and then!

### **Should we send any replacements?**

Are there any irregularities or flaws in the parts? We can send replacements!

### **Prep Time!**

Please review the assembly instructions and all diagrams prior to assembling.

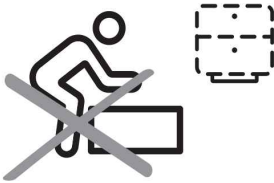
# PRE ASSEMBLY INTRODUCTION

We understand building ready-to-assemble furniture can be a challenging experience for some. To help avoid confusion, we have provided some helpful tips that may speed up the process.



## Teamwork

ALWAYS have at least two people to help with transporting and assembling the product to avoid potential injury and/or damage.



## Suitable Location

Assembling near the area of the intended location is highly recommended.



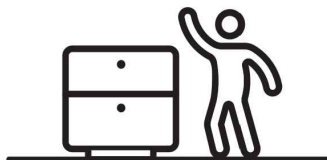
## Sufficient Space

Make sure you have enough space to move around during the assembly.



## Avoid Scratches

Use cardboard, blankets or a carpeted area while assembling furniture to prevent to prevent scratches and damages.



## Flat Surface

Make sure the furniture rests on a flat and level surface with each leg evenly touching the floor.

# ASSEMBLY AND CARE ADVICE



**FAILURE TO FOLLOW THE GUIDELINES BELOW MAY RESULT IN INJURY AND/OR PROPERTY DAMAGE.**



Position each part correctly and insert screws or bolts into their respective holes.



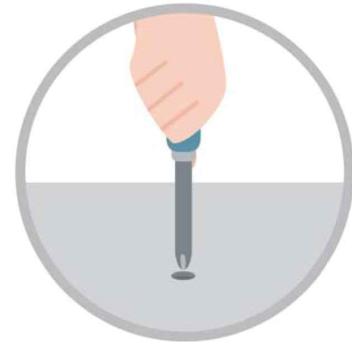
Turn clockwise to tighten and only tighten when step is completed or when instructed to do so.



Use the appropriate hand tools or power tools for assembly. Select steps, such as tightening screws and/or bolts, may require hand tools to avoid causing damage during assembly.



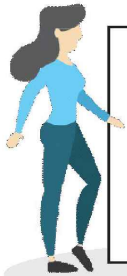
Save the instructions and store any supplied tools for later maintenance.



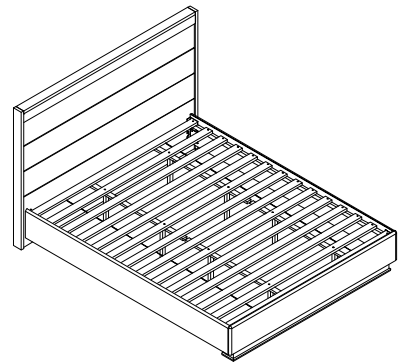
After two weeks, check and tighten any loose hardware and repeat again every six months thereafter.

**IT IS THE USER'S RESPONSIBILITY TO MAINTAIN THE FURNITURE. THE HARDWARE MAY LOOSEN OVER TIME AND MAY CAUSE THE FURNITURE TO BE WOBBLY AND UNABLE TO SUPPORT ITS INTENDED WEIGHT CAPACITY. THIS MAY LEAD TO COLLAPSE AND MAY CAUSE SERIOUS INJURY.**

# EASTERN KING BED

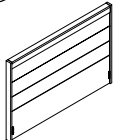


- Please keep instructions for future reference.
- Check the quantity and irregularity of parts and hardware before you start.



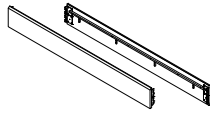
## PARTS

① 1pc



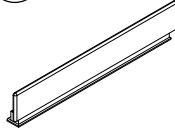
HEADBOARD

② 2pcs



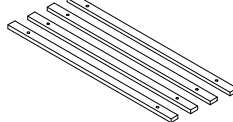
SIDERAIL

③ 1pc



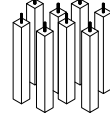
FOORBOARD

④ 4pcs



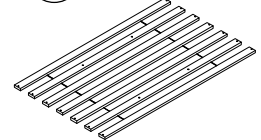
CENTER RAIL

⑤ 8pcs



CENTER RAIL SUPPORTER

⑥ 2set



SLATS

## HARDWARE

### HARDWARE FOOTBOARD SIDERAIL

① 28pcs



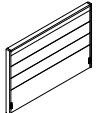
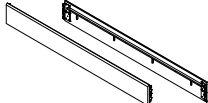


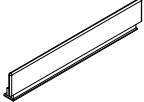
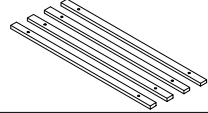
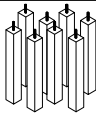
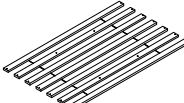
TRUSS HD C/B  
M4 X 25mm

② 1pc



Allen Key M5

## packed in 2 cartons

Carton	Description		Part	Hardware
	HEADBOARD	①	 X1	
	SIDERAIL	②	 X2	 A x28pcs  B x1pc
	FOOTBOARD	③	 X1	
	CENTER RAIL	④	 X4	
	CENTER RAIL SUPPORTER	⑤	 X8	
	SLATS	⑥	 X2	

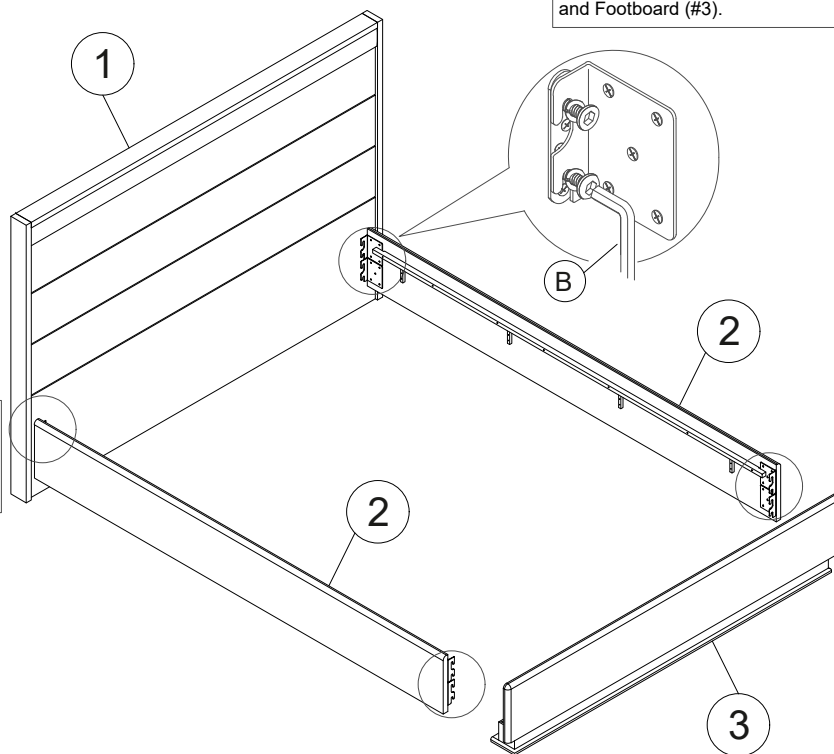
# ASSEMBLY INSTRUCTIONS

## 1

- Part ① x1pc
- Part ② x2pcs
- Part ③ x1pc
- Hardware ⑥ x1pc

Please hook Screw plate on Side Rail is already loosened. Use Allen Key (#B) to attach the Side Rail (#2) to Headboard (#1) and Footboard (#3).

Please loose the TRUSS screw from Headboard (#1) front near to bottom for left and right side. Also, the same action on Footboard (#3).

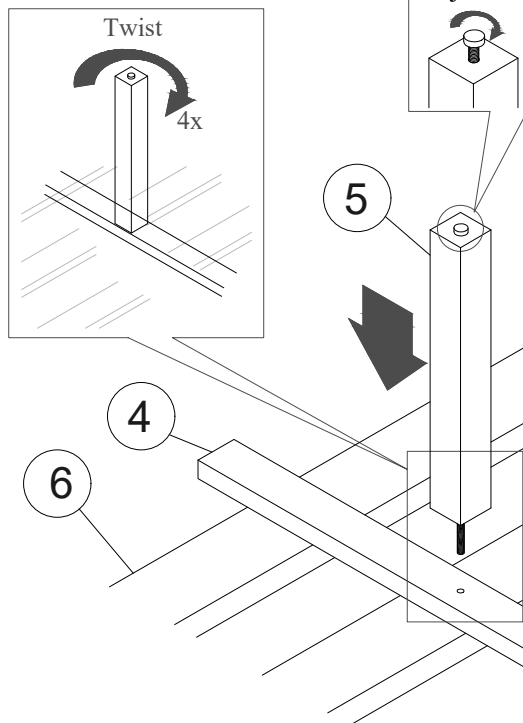


## 2

- Part ④ x4pcs
- Part ⑤ x8pcs
- Part ⑥ x2set

Remark : Adjustable

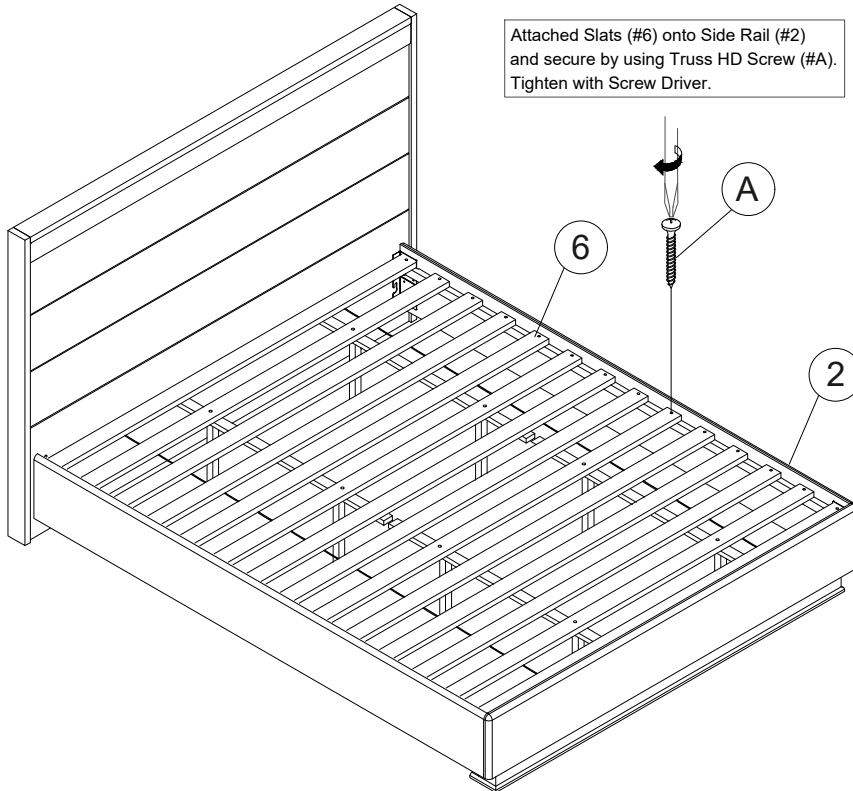
Put the Center Rail (#4) on Slats (#6). Then take the Center Rail Supporter (#5) insert in the hole as in the picture and twist until tight.



# ASSEMBLY INSTRUCTIONS

## 3

Part ⑥ x2set  
Hardware ①A x28pcs



Remark :



Please peel to  
remove Protection Film

### ASSEMBLY COMPLETED



Please ensure the  
furniture rests on an even  
and flat surface. If the  
product wobbles or feels  
loose, double-check all  
bolts and/or screws are  
properly tightened and  
secured.

✓ **Keep this handy!**

Please retain this instruction  
manual and any order-related  
information for future reference.

✓ **Lift, don't drag!**

To avoid damage to product  
please always LIFT the product  
when transporting or adjusting  
the placement.

This product is intended for RESIDENTIAL USE ONLY and not for commercial use.