

Toilet Tissue Holder 0308

Features

- Solid brass construction
- Double-post design with spring-loaded roller
- Complements Hotelier product series

Codes / Standards Compliance

Meets or exceeds the following at date of manufacture:

- All applicable US Federal and State material regulations

Colors / Finishes

- PC: Polished Chrome
- SN: Satin Nickel



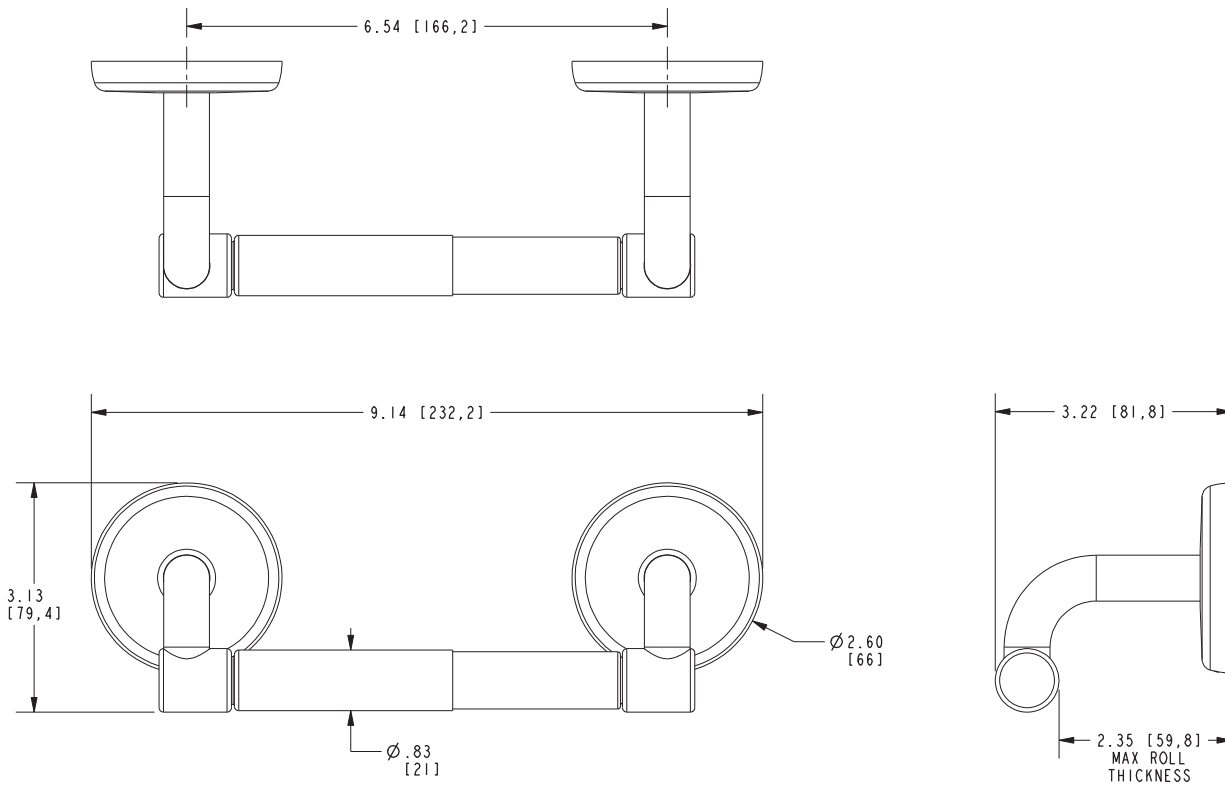
Specified Model

Model	Description	Colors Finishes
0308	Toilet Tissue Holder	<input type="checkbox"/> PC <input type="checkbox"/> SN

Product Specification: Add "Color / Finish" Suffix to Model Number Below

The Toilet Tissue Holder shall be made of solid brass construction and incorporate a double-post, spring-loaded roller design. Toilet Tissue Holder shall complement Ginger Hotelier product series. Toilet Tissue Holder shall be Ginger Model 0308/_____.

0308



Hotelier Toilet Tissue Holder 0308

GINGER