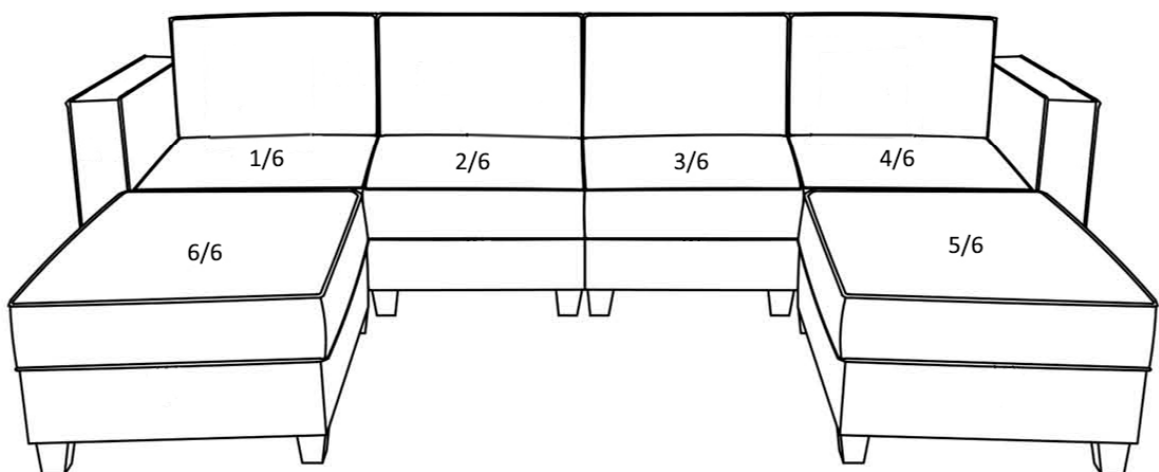
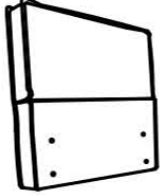
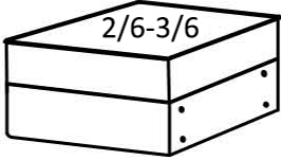
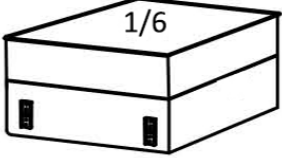



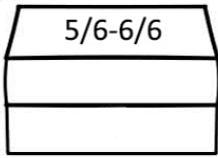
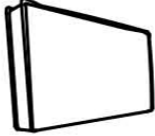










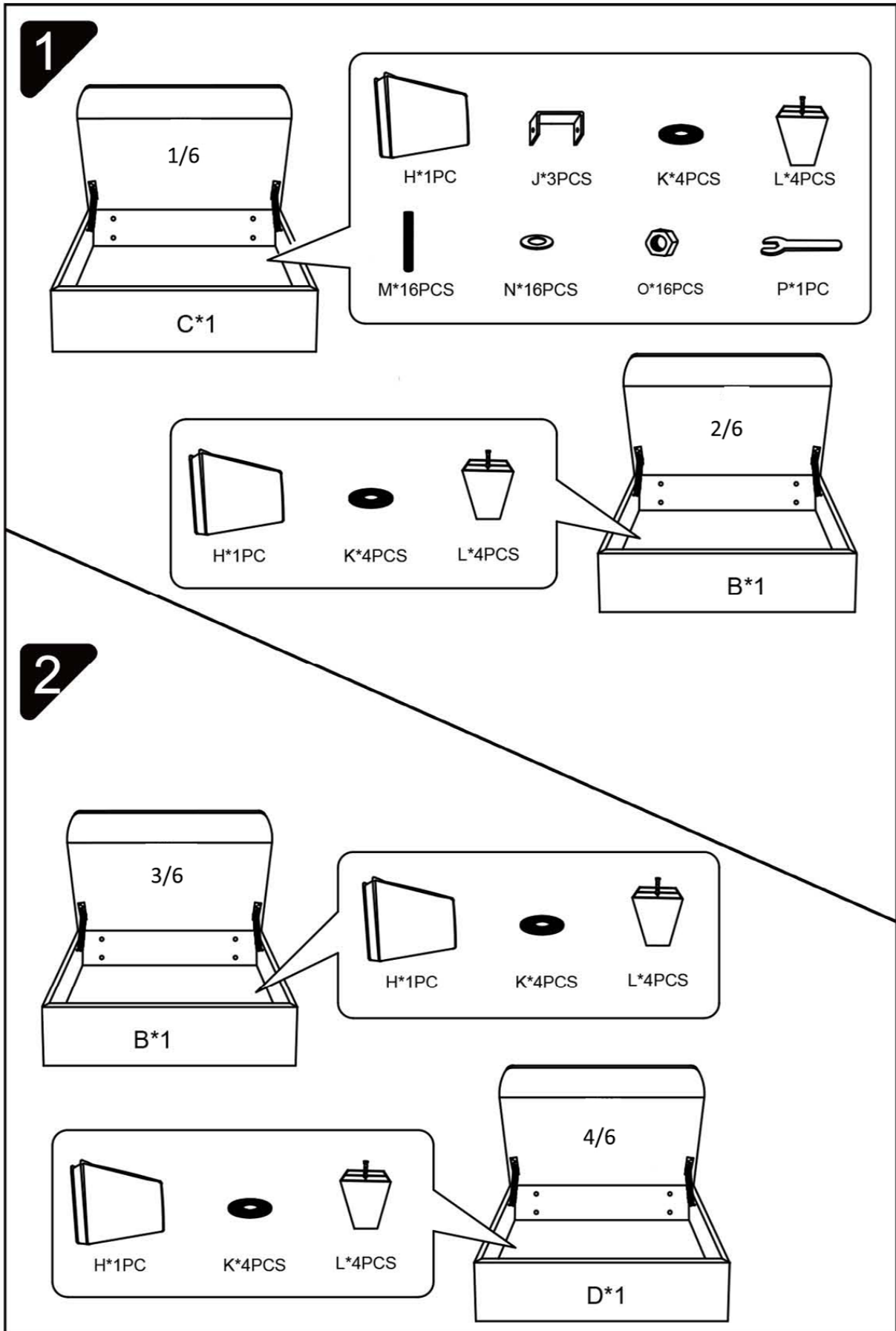
# 01 / Hardware List



# 02 / Parts List

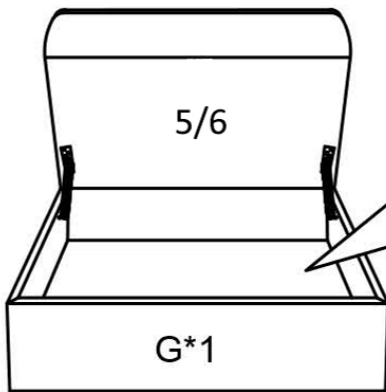
<p>①</p>  <p>A*4PCS</p>	<p>②</p>  <p>B*2PCS</p>			
<p>③</p>  <p>C*1PC</p>	<p>④</p>  <p>D*1PC</p>			
<p>⑤</p>  <p>E*1PC</p>	<p>⑥</p>  <p>F*1PC</p>	<p>⑦</p>  <p>G*2PCS</p>	<p>⑧</p>  <p>H*4PCS</p>	
<p>⑨</p>  <p>J*3PCS</p>	<p>⑩</p>  <p>K*24PCS</p>	<p>⑪</p>  <p>L*24PCS</p>	<p>⑫</p>	
 <p>M*16PCS</p>	 <p>N*16PCS</p>	 <p>O*16PCS</p>	 <p>P*1PC</p>	 <p>Q*16PCS</p>

# 03 / Installation steps



# 04 / Installation steps

3

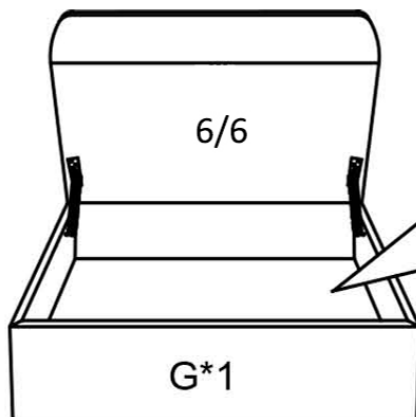


K\*4PCS



L\*4PCS

4



K\*4PCS

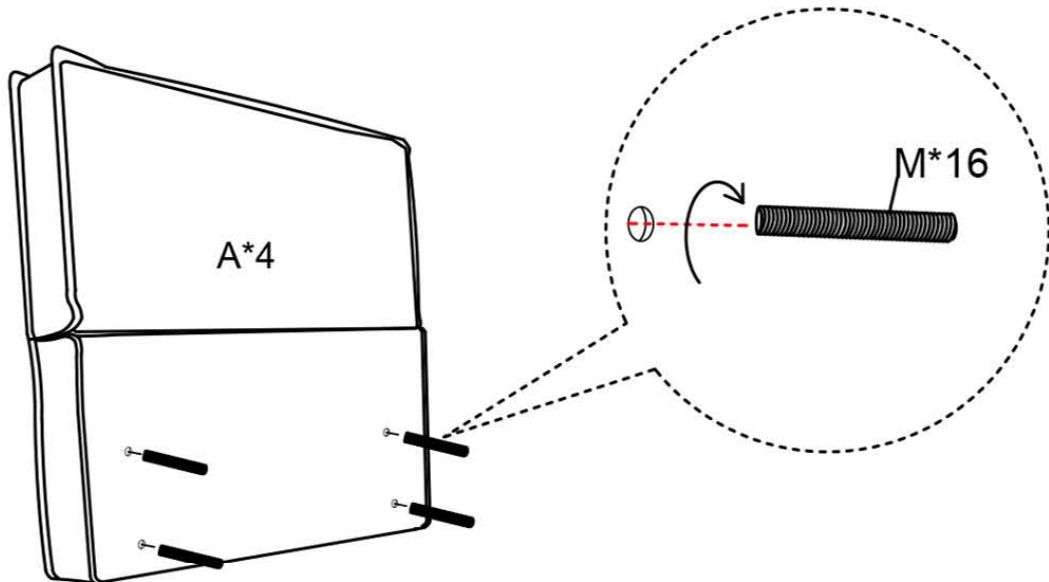


L\*4PCS

# 05 / Installation steps

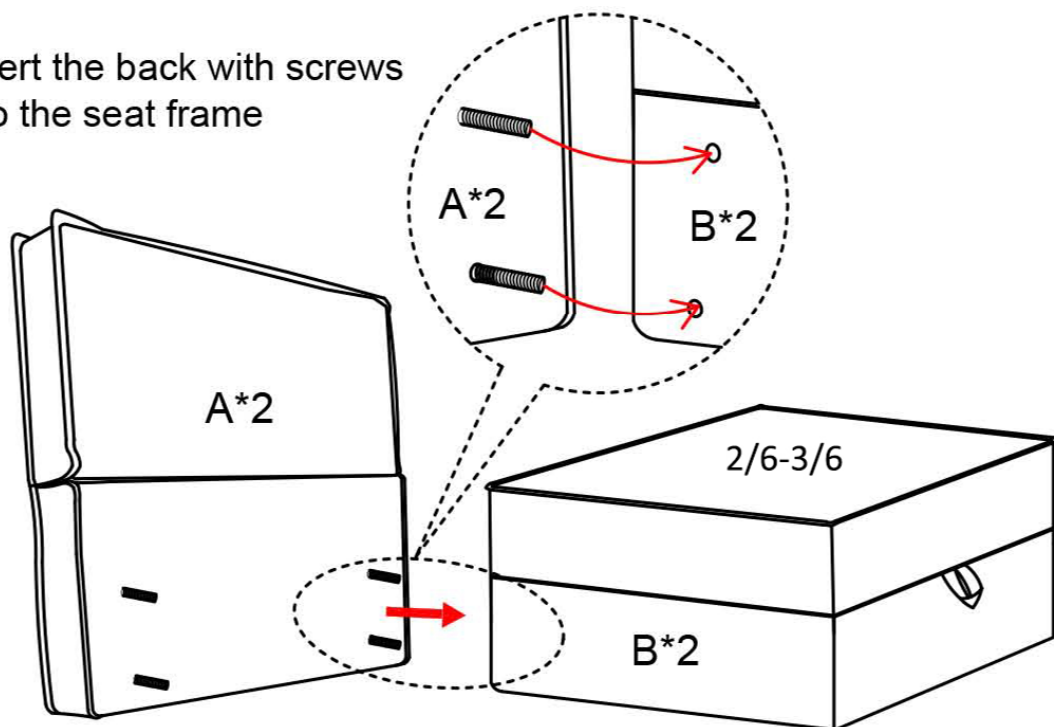
5

Screw into back about 2cm



6

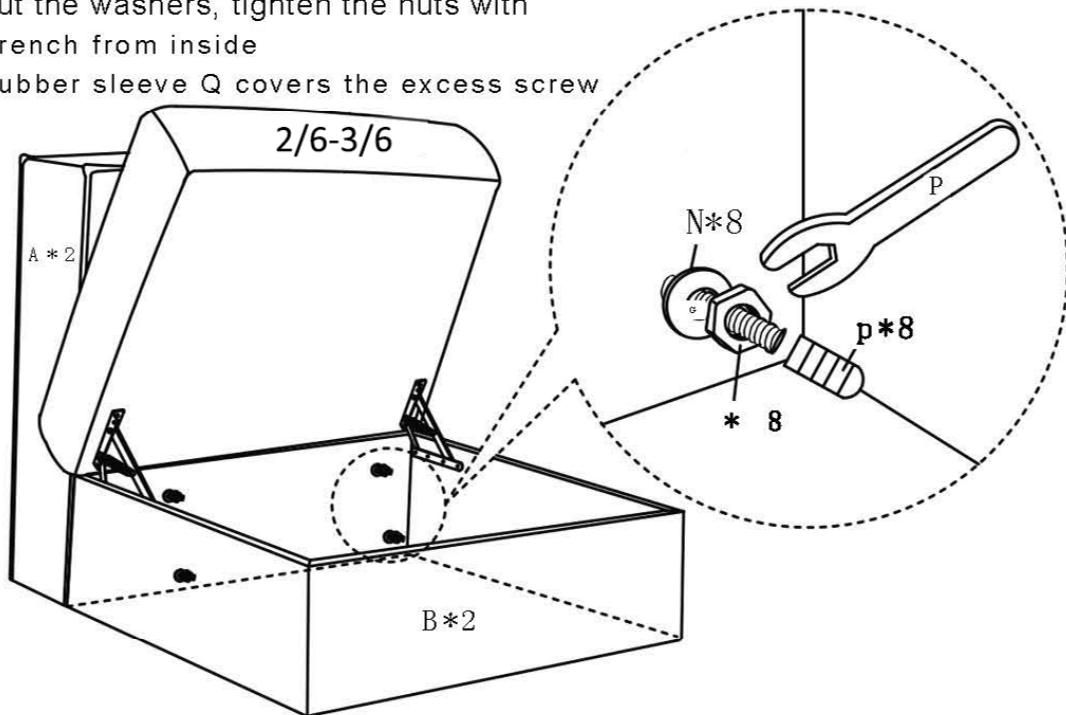
Insert the back with screws into the seat frame



# 06 / installation steps

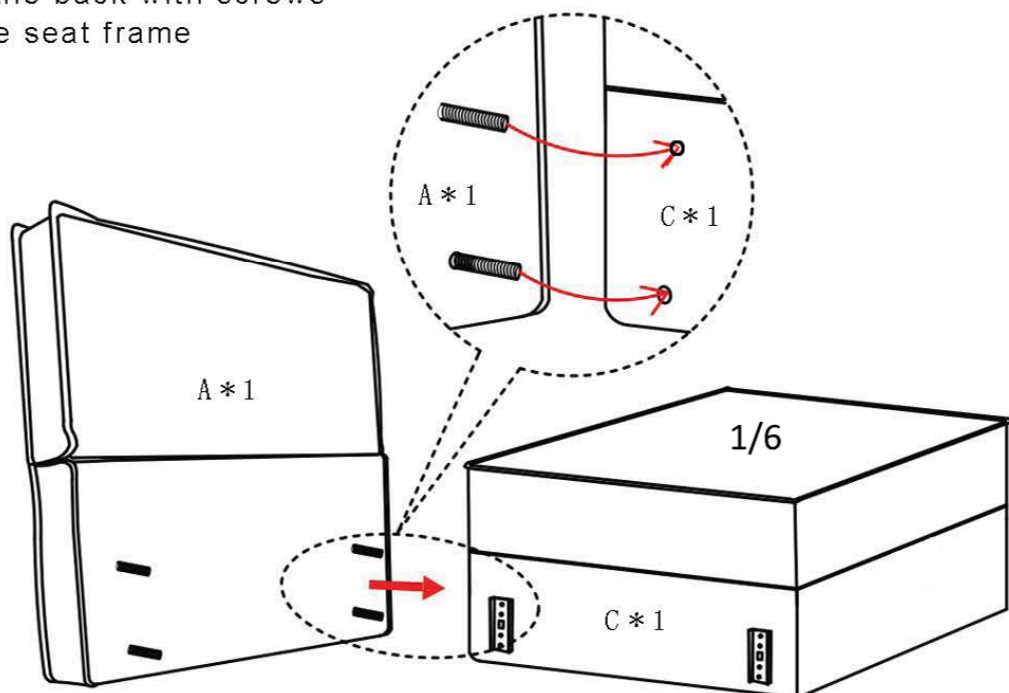
7

Put the washers, tighten the nuts with wrench from inside  
Rubber sleeve Q covers the excess screw



8

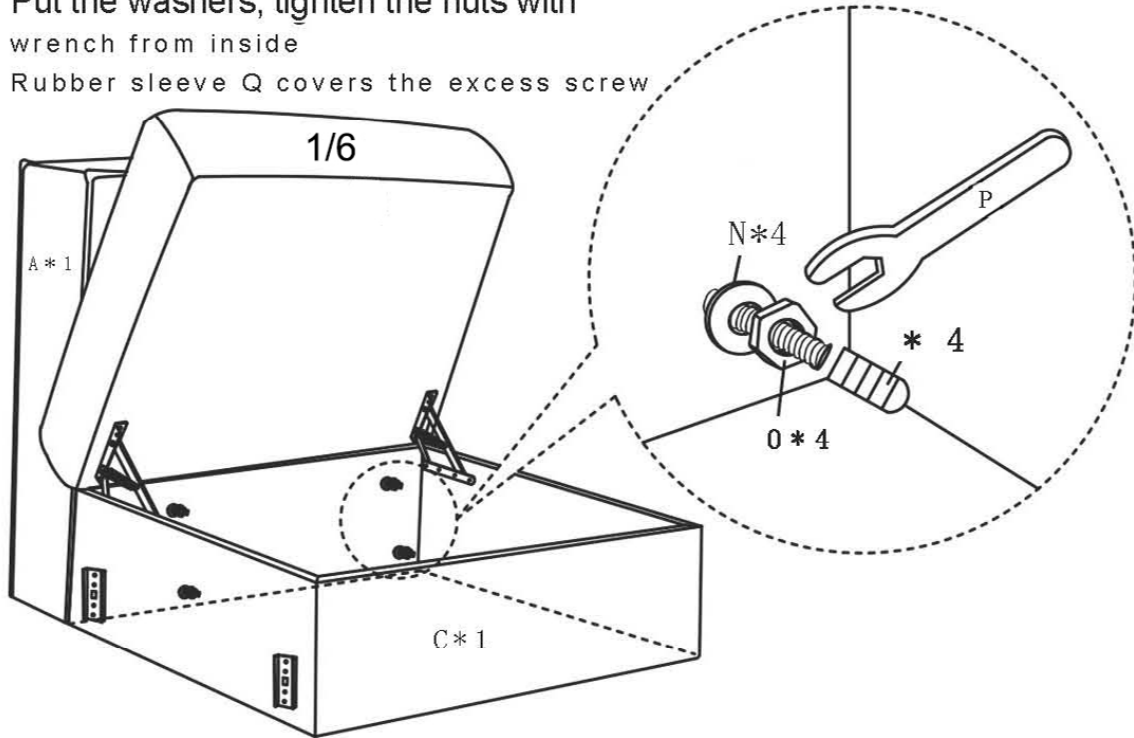
Insert the back with screws into the seat frame



# 07 / Installation steps

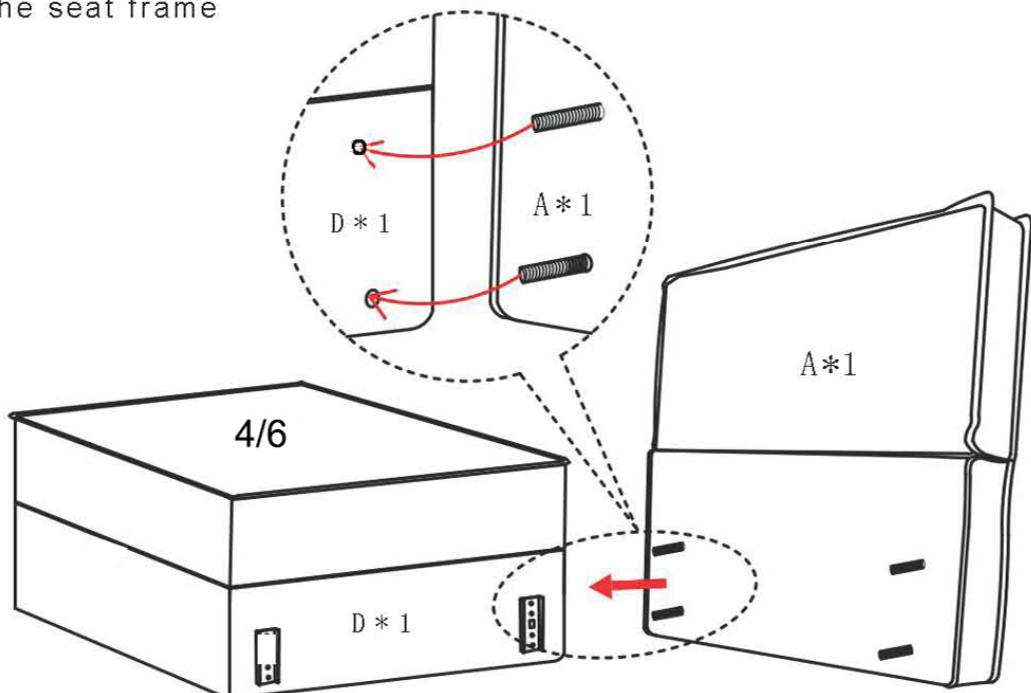
9

Put the washers, tighten the nuts with wrench from inside  
Rubber sleeve Q covers the excess screw



10

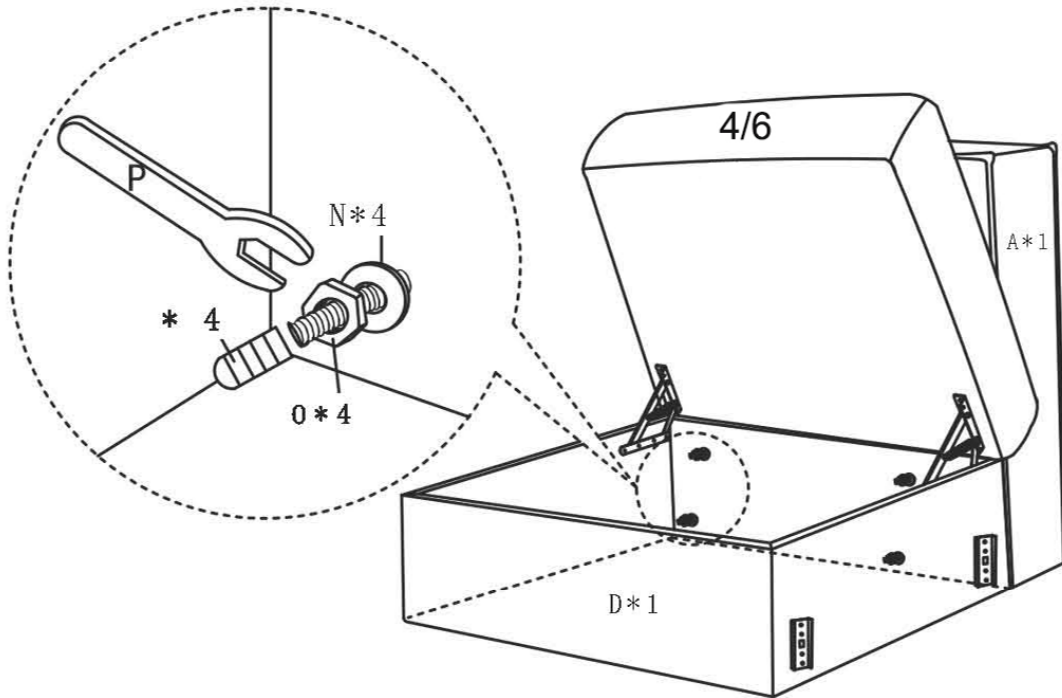
Insert the back with screws into the seat frame



# 08 / installation steps

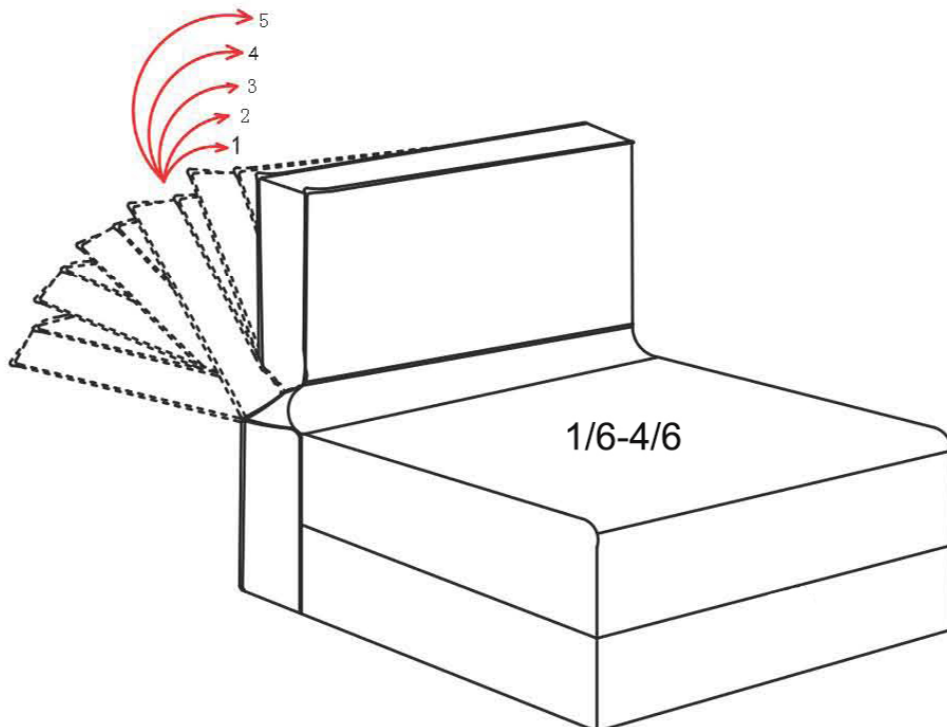
11

Put the washers, tighten the nuts with wrench from inside  
Rubber sleeve Q covers the excess screw



12

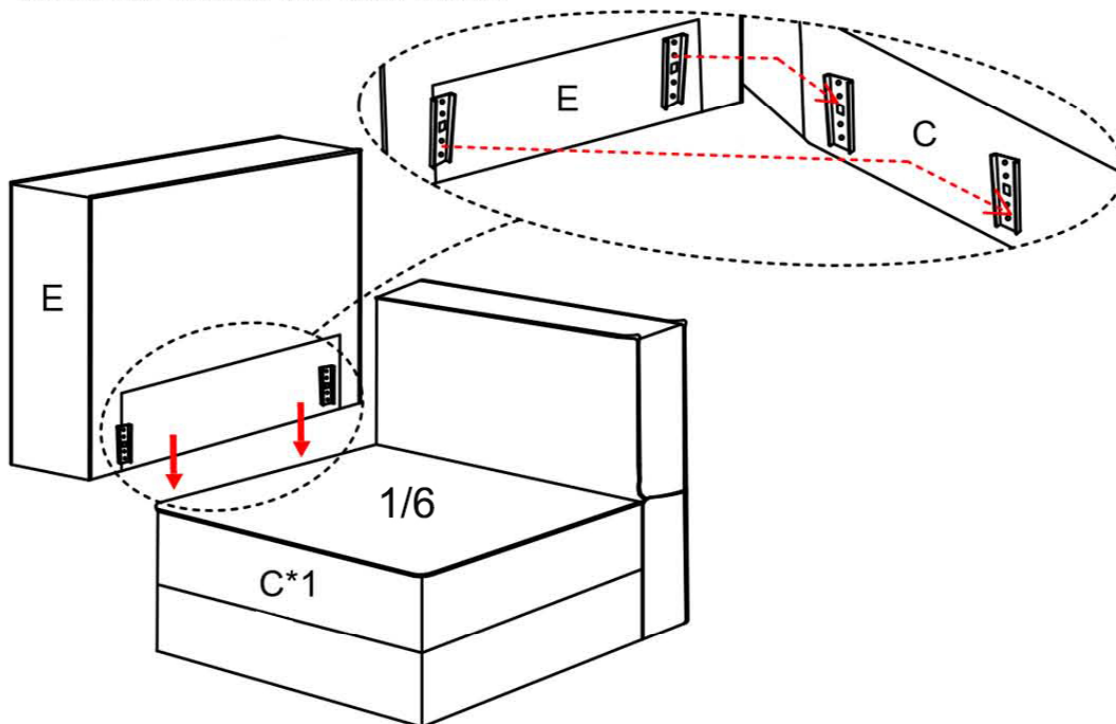
Backs with 5 angles for adjustable



# 09 / Installation steps

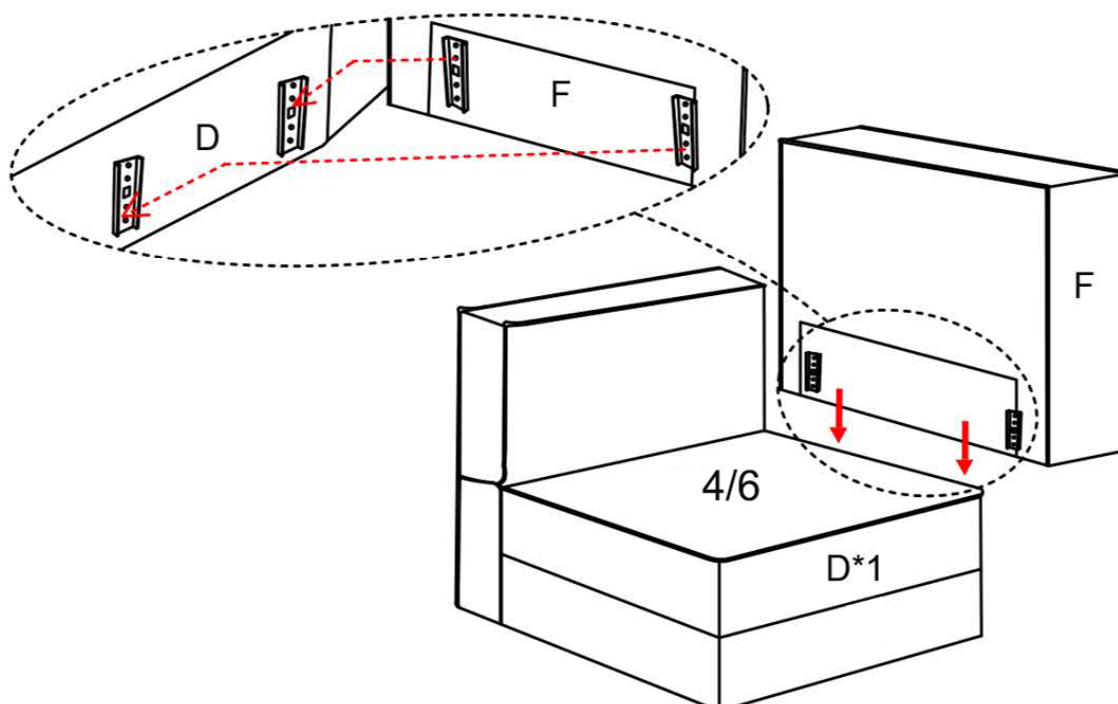
13

Hook the arm to the seat frame



14

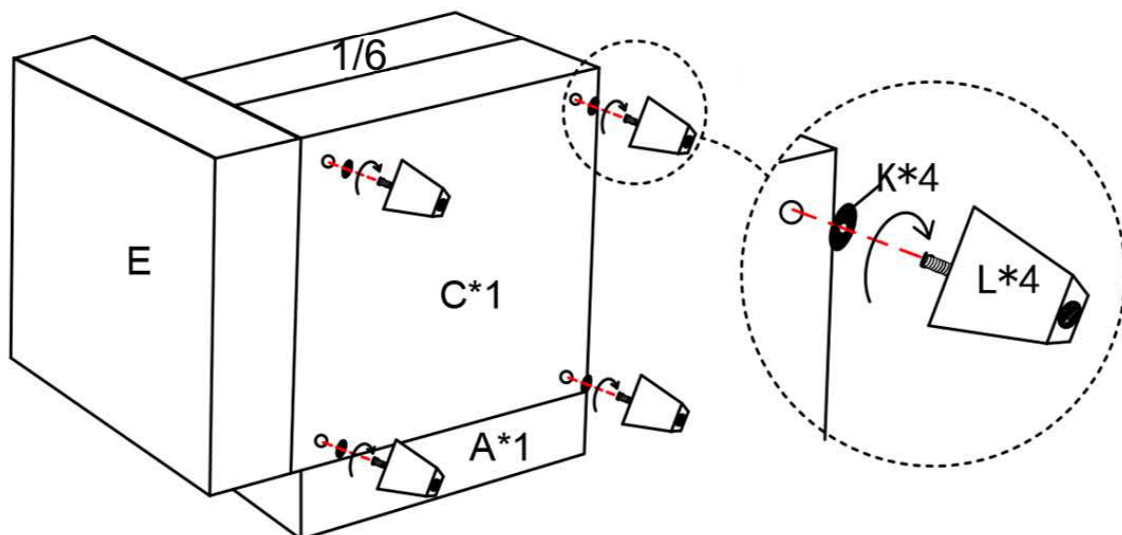
Hook the arm to the seat frame



# 10 / Installation steps

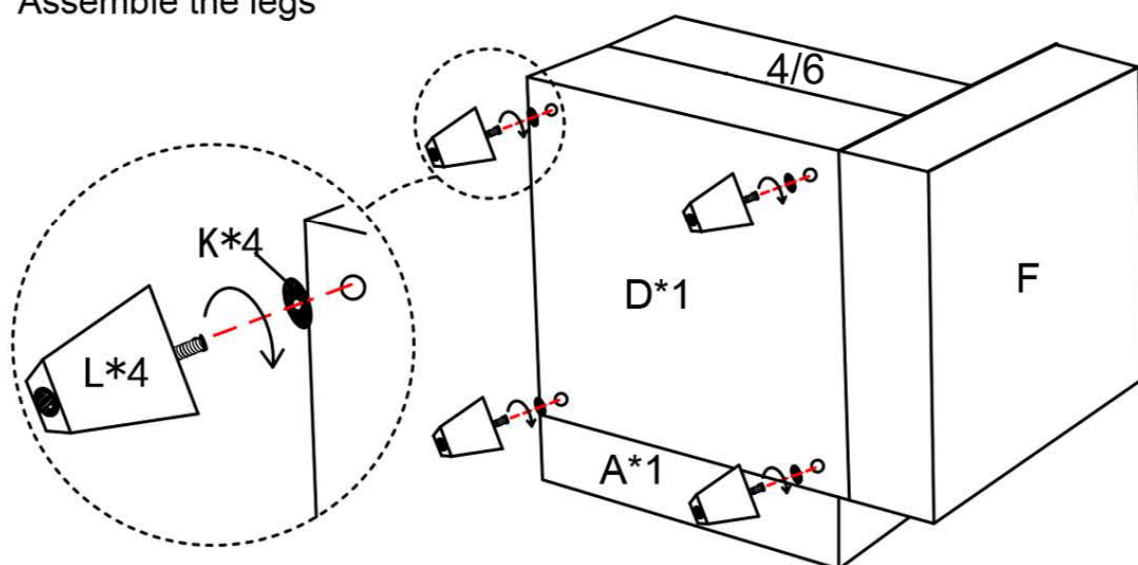
15

Assemble the legs



16

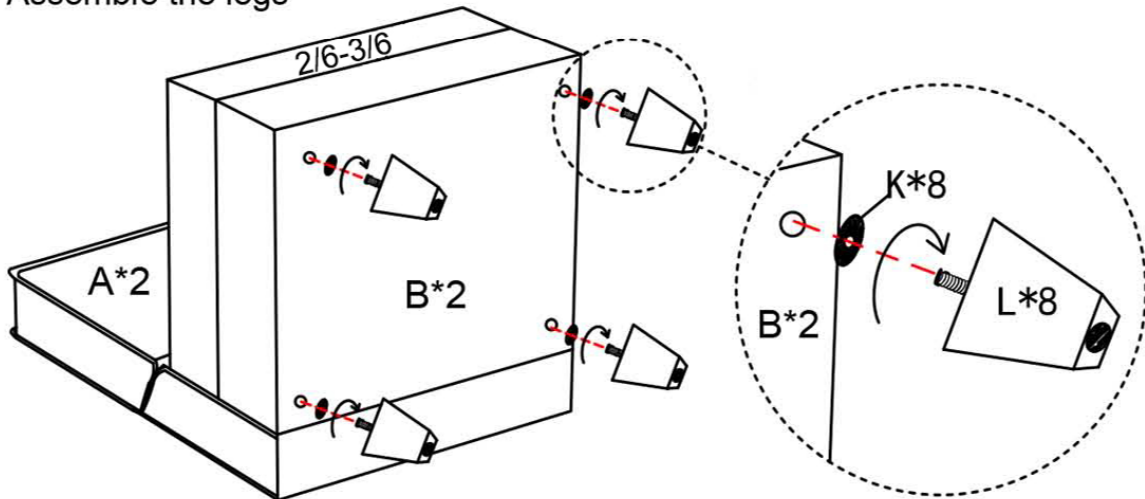
Assemble the legs



# 11 / Installation steps

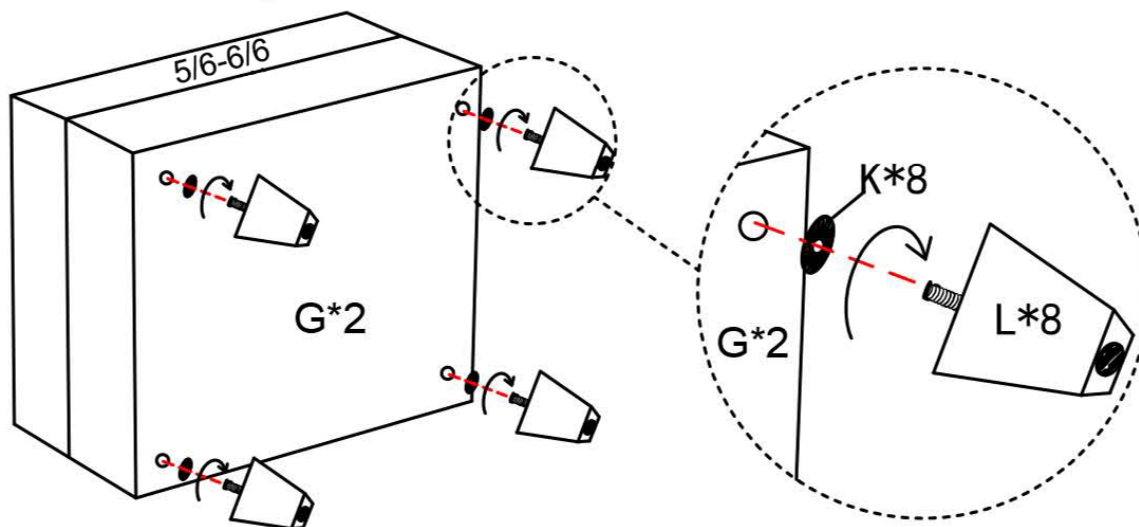
17

Assemble the legs



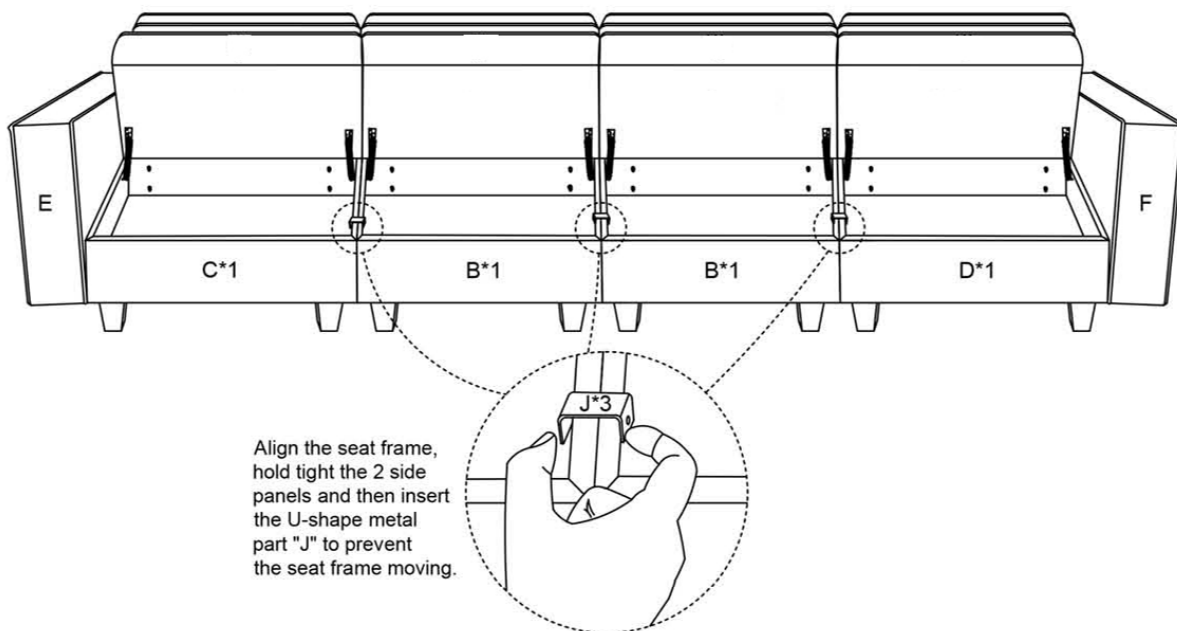
18

Assemble the legs



# 12 / Installation steps

19



20

Put the back cushions on sofa and the assembly is finished

