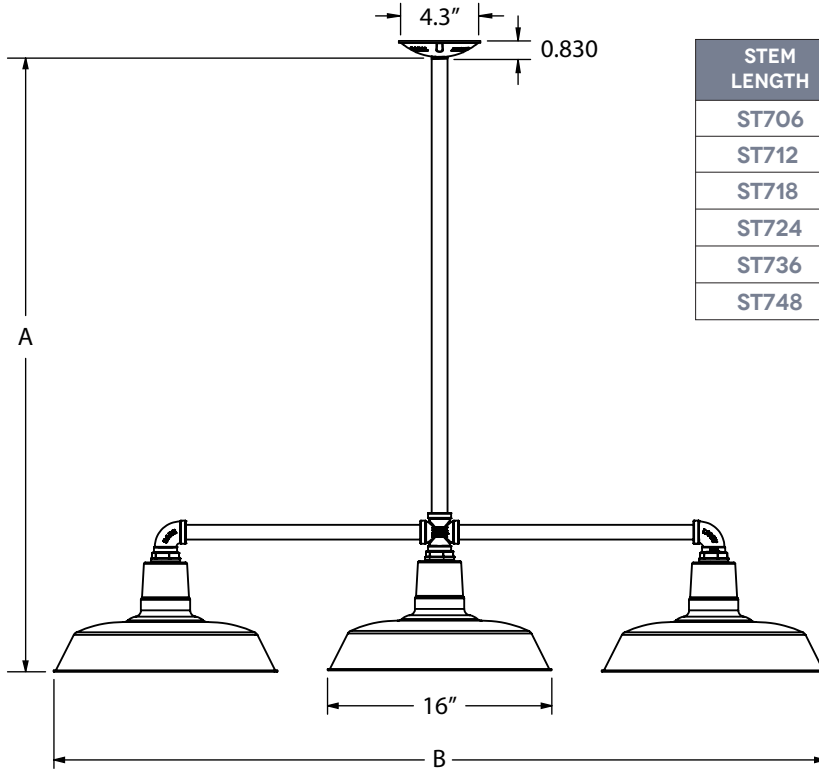
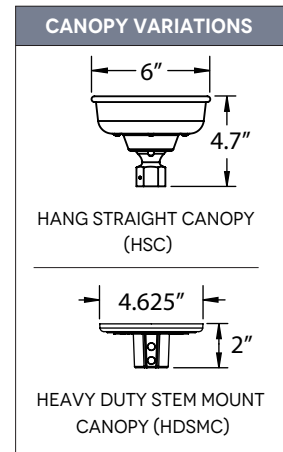




**MOUNTING DIMENSIONS**



STEM LENGTH	MOUNTING LENGTH (A)	WIDTH (B)	
		(2) 18" ARMS	(2) 24" ARMS
ST706	19.4"	55"	67"
ST712	25.4"		
ST718	31.4"		
ST724	37.4"		
ST736	49.4"		
ST748	61.4"		



SHOWN ABOVE WITH: STANDARD CANOPY

**SPECIFICATIONS**

**CERTIFICATIONS, LISTINGS & WARRANTY**

MADE IN THE USA  
 Manufactured and Hand-Crafted in Our 60,000 Square Foot Facility Located in Titusville, FL

CSA LISTED FOR WET LOCATIONS  
 ACR is UL Listed for Damp Locations

LIMITED WARRANTY  
 For Additional Information on Our Limited Warranty, Please See Our Terms & Conditions

**CONSTRUCTION & FINISH (CONTINUED)**

COPPER  
 Hand-Spun from High Purity C11000-O60 ETP Copper

BRASS  
 Hand-Spun from High Purity C2600-O60 Brass

STEM  
 3/4" Nominal (1.05" Actual) Sch 40, 6063 Aluminum Mounting Stem. Custom lengths available upon request.

**CONSTRUCTION & FINISH**

POWDER COAT SHADE  
 Hand-Spun from High Purity 3003-O Temper Aluminum

GALVANIZED SHADE  
 Hand Spun from High Quality Galvanized Steel

PORCELAIN SHADE  
 Hand-Spun from 20 Gauge Porcelain Steel

POWDER COAT FINISHES  
 Polyester Powder Coat Finishes Are Electro-Statically Applied and Thermocured

PORCELAIN FINISHES  
 Applied by Hand and Fired in a High Temperature Oven

**LIGHT SOURCE**

INCANDESCENT  
 Medium Base E26 Socket, 120 VAC, 200W Max

COMPACT FLUORESCENT  
 Bi-Pin Base GU24 Socket, 120 VAC, 23W Max