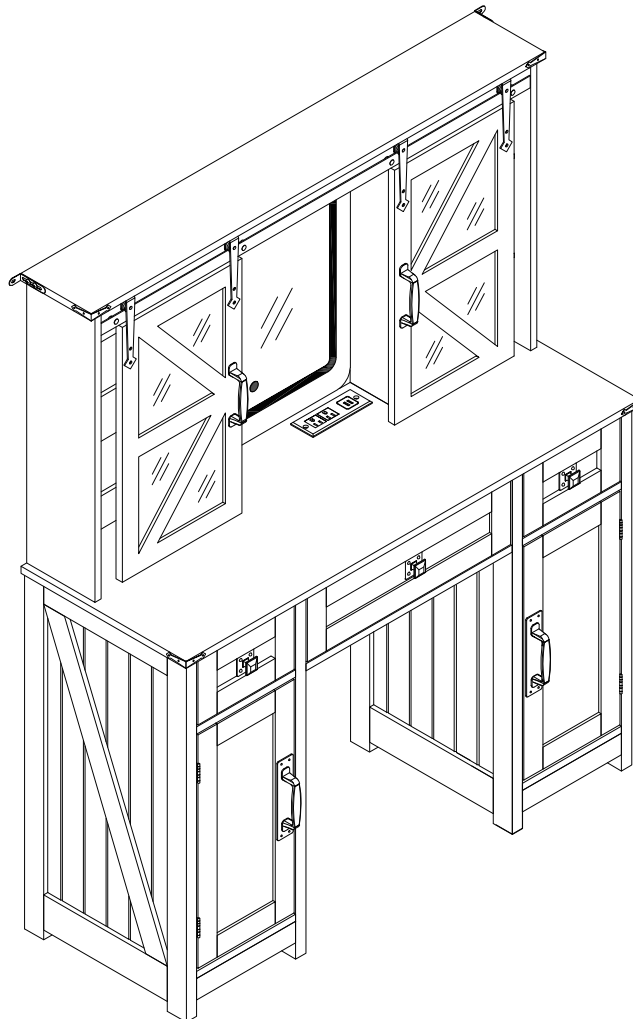


**Assembly Instructions - Please keep for future reference**

**N704P328548**



**Table Dimensions**

**Width-51inch**

**Depth-19.75inch**

**Height-29.75inch**

**Important - Please read these instructions fully before starting assembly**

**Issue 01/2026**



## Safety and Care Advice

Important – Please read these instructions fully before starting assembly

- Check you have all the components and tools listed on the following pages.
- Remove all fittings from the plastic bags and separate them into their groups.
- Keep children and animals away from the work area, small parts could choke if swallowed.
- Make sure you have enough space to layout the parts before starting.

- During assembly do not stand or put weight on the product, this could cause damage.
- Assemble the item as close to its final position (in the same room) as possible.
- Assemble on a soft level surface to avoid damaging the unit or your floor.
- Parts of the assembly will be easier with 2 people.



- To reduce the likelihood of damaging your product please ensure that your power drill is set on a low torque setting.

### Care and maintenance

- Only clean using a damp cloth and mild detergent, do not use bleach or abrasive cleaners.
- From time to time check that there are no loose screws on this unit.
- This product should not be discarded with household waste. Take to your local authority waste disposal centre.

### Handy Hints

- Assemble all parts and bolts loosely during assembly, only once the product is complete should you fully tighten the bolts
- Regularly check and ensure that all bolts and fittings are tightened properly.

## WARNING

In order to help prevent overturning – please follow these instructions

To help prevent product toppling over please follow the below steps:-

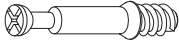
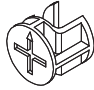

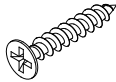

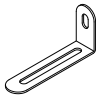
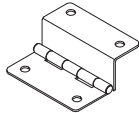
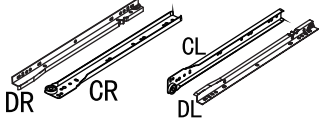

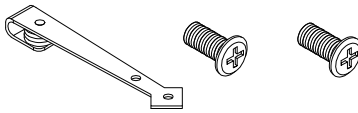
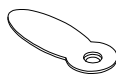
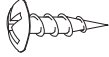

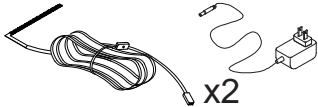
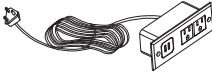

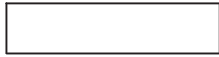
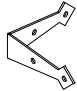
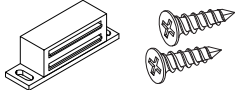

Use the anti tip strap or wall fixing method provided (if applicable)  
Do not allow children to climb or hang on the furniture  
Do not open more than one drawer at a time  
Do not place heavy items in the top drawers  
Do not place heavy items on top of the furniture, unless the furniture has been designed for this purpose

Please note that only the anti tip strap is provided.  
You will need to provide wall plugs and screws applicable for your wall type

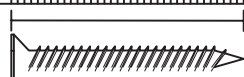
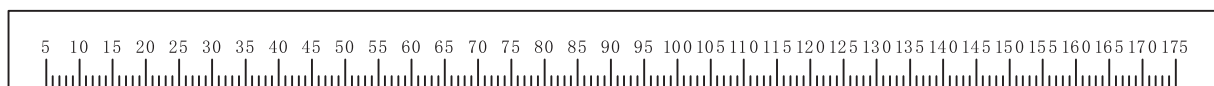
# Components - Fittings

Please check you have all the panels listed below

Note: The quantities below are the correct amount to complete the assembly. In some cases more fittings may be supplied than are required.

|   |   |
|---|---|
| <p>Ⓐ</p>  <p>x64+2</p>           | <p>Ⓑ</p>  <p>x64+2</p>             |
| <p>Ⓒ</p>  <p>x46+2</p>           | <p>Ⓓ</p>  <p>M4x35mm x27+2</p>     |
| <p>Ⓔ</p>  <p>M3.5x12mm x58+3</p> | <p>Ⓕ</p>  <p>x2</p>                |
| <p>Ⓖ</p>  <p>x4</p>              | <p>Ⓖ</p>  <p>DR CR DL x3</p>        |
| <p>Ⓘ</p>  <p>x2</p>            | <p>Ⓙ</p>  <p>x4</p>               |
| <p>Ⓚ</p>  <p>x8</p>            | <p>Ⓛ</p>  <p>M3.5x12mm x20+2</p> |
| <p>Ⓜ</p>  <p>M3x16mm x16+1</p> | <p>Ⓝ</p>  <p>x2 x1</p>            |
| <p>Ⓞ</p>  <p>x1</p>            | <p>Ⓟ</p>  <p>M6x18mm x4</p>      |
| <p>Ⓠ</p>  <p>x8</p>            | <p>Ⓡ</p>  <p>x4</p>              |
| <p>Ⓢ</p>  <p>x2</p>            | <p>Ⓣ</p>  <p>x16+1</p>           |

Ruler - Use this ruler to help correctly identify the screws

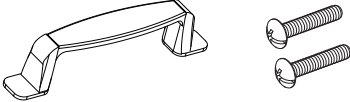
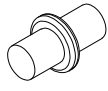
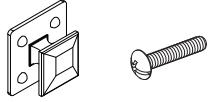

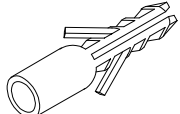
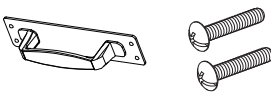


The screws length is measured from the head to the point (35mm screw shown).

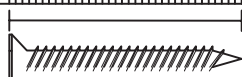
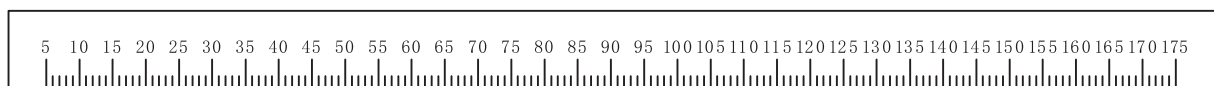
# Components - Fittings

Please check you have all the panels listed below

Note: The quantities below are the correct amount to complete the assembly. In some cases more fittings may be supplied than are required.

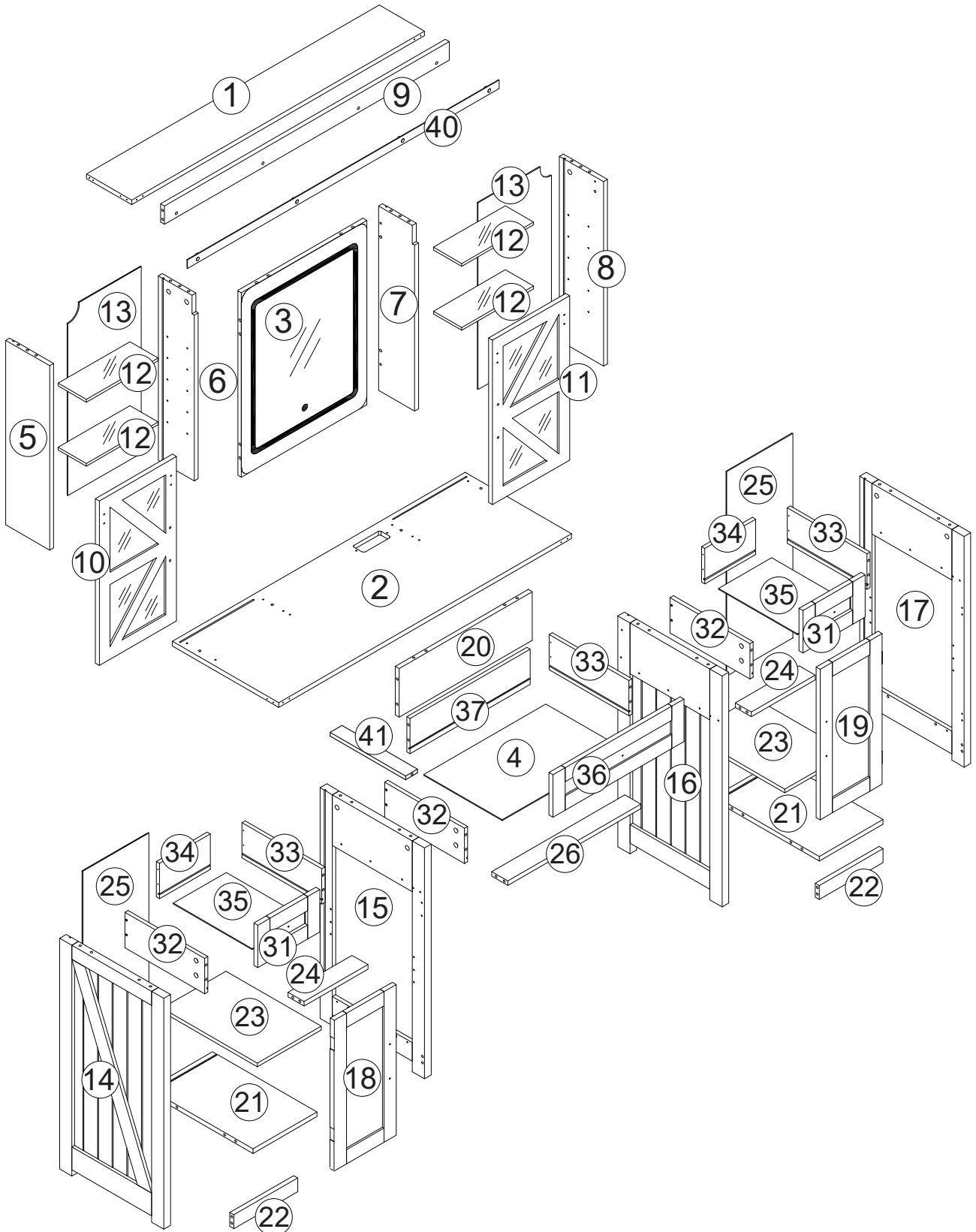
|  |   |
|--|---|
| <p>U</p>  <p>x2</p> | <p>V</p>  <p>x10+1</p> |
| <p>W</p>  <p>x3</p> | <p>X</p>  <p>x8</p>    |
| <p>Y</p>  <p>x2</p> | <p>Z</p>  <p>x2</p>     |

Ruler - Use this ruler to help correctly identify the screws

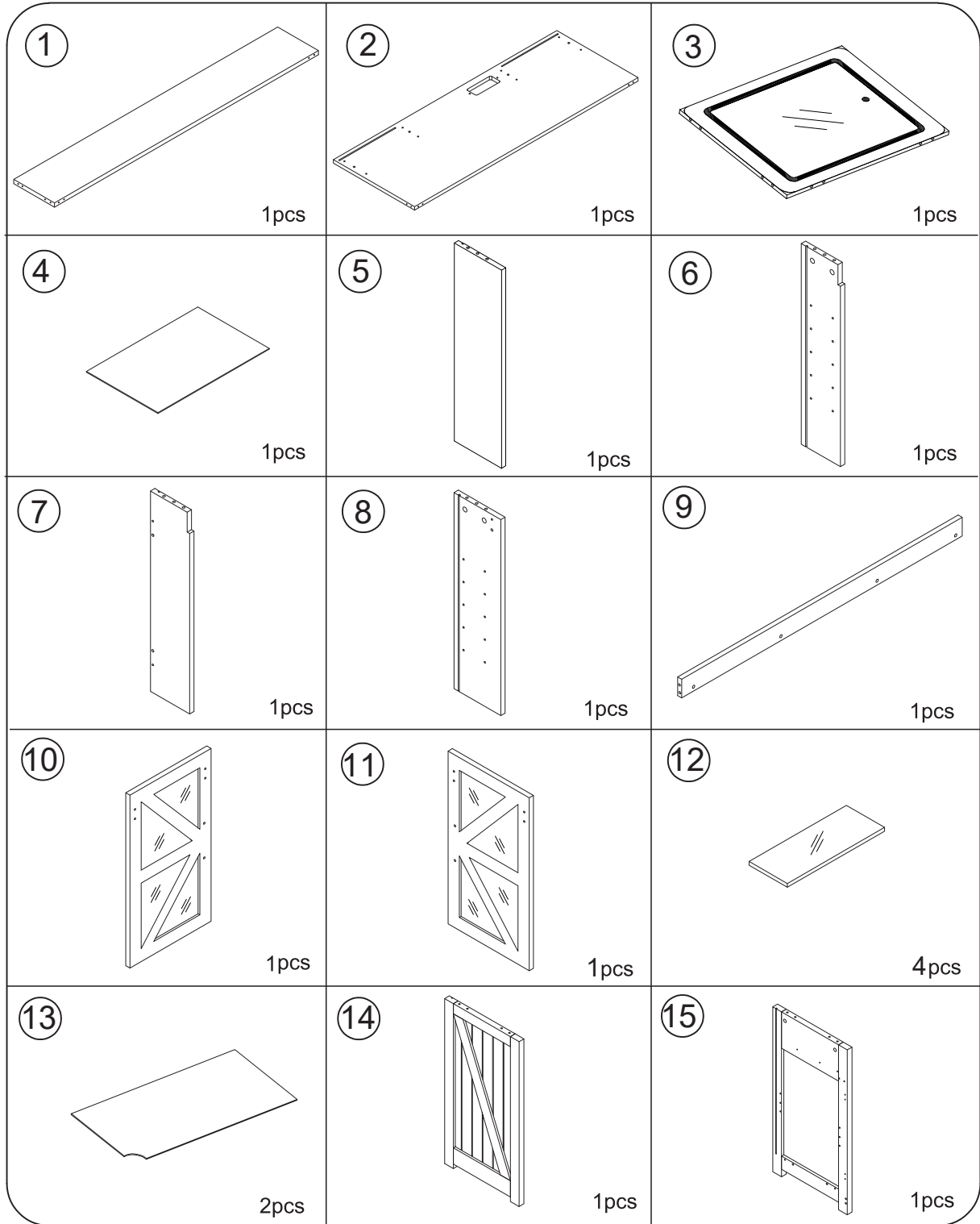


The screws length is measured from the head to the point (35mm screw shown).

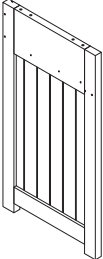
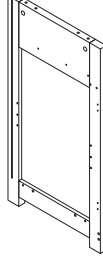
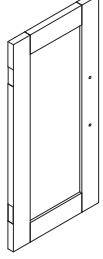

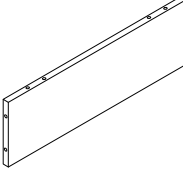
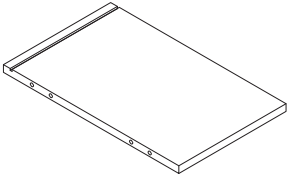
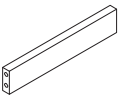
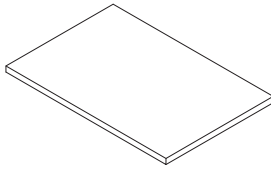
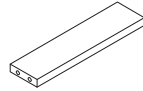
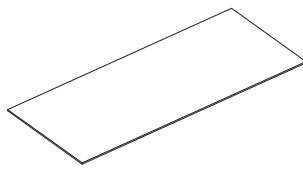
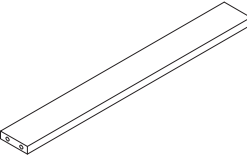
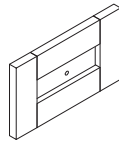
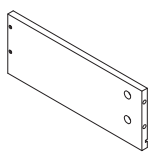
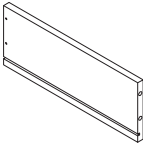
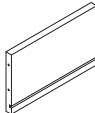
# Assembly Instructions



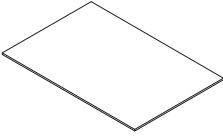
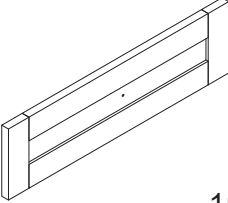
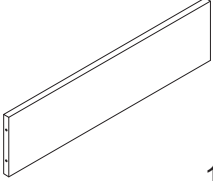
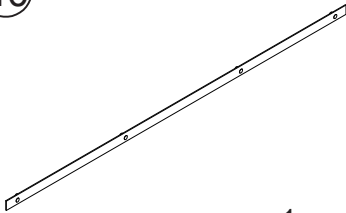
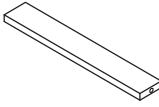
# Assembly Instructions



# Assembly Instructions

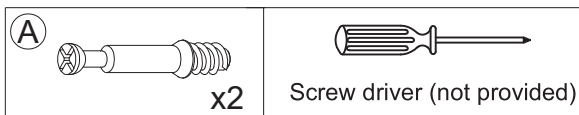
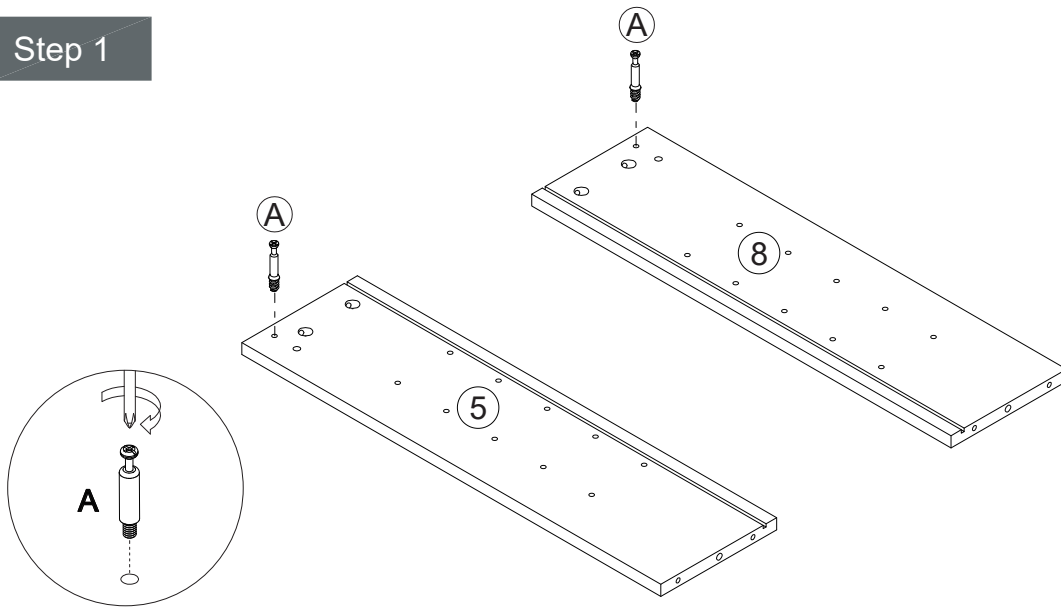
|   |   |   |
|---|---|---|
| <p>16</p>  <p>1pcs</p>   | <p>17</p>  <p>1pcs</p>   | <p>18</p>  <p>1pcs</p>   |
| <p>19</p>  <p>1pcs</p>   | <p>20</p>  <p>1pcs</p>   | <p>21</p>  <p>2pcs</p>   |
| <p>22</p>  <p>2pcs</p> | <p>23</p>  <p>2pcs</p> | <p>24</p>  <p>2pcs</p> |
| <p>25</p>  <p>2pcs</p> | <p>26</p>  <p>1pcs</p> | <p>31</p>  <p>2pcs</p> |
| <p>32</p>  <p>3pcs</p> | <p>33</p>  <p>3pcs</p> | <p>34</p>  <p>2pcs</p> |

# Assembly Instructions

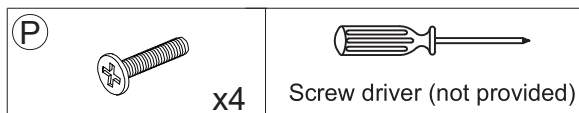
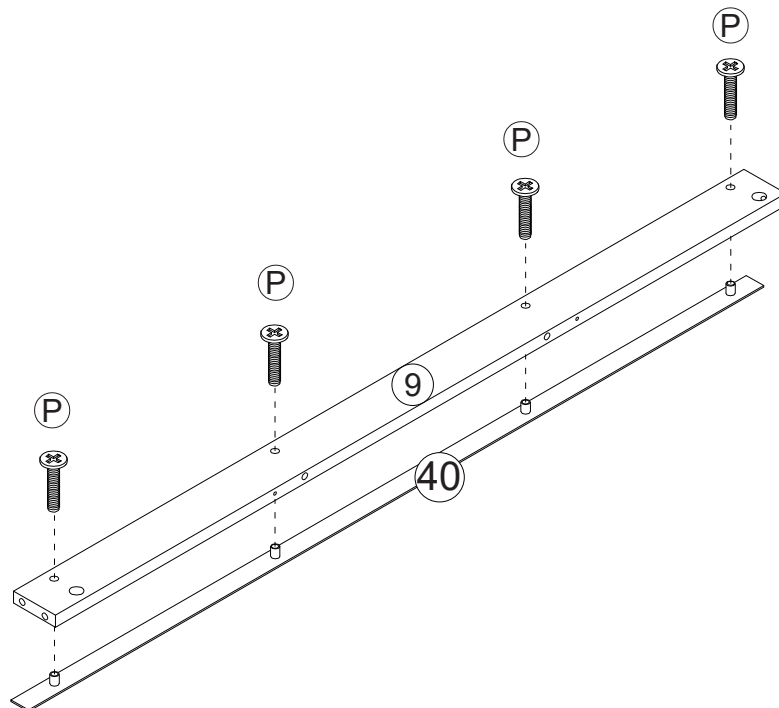
|   |   |   |
|---|---|---|
| <p>35</p>  <p>2pcs</p> | <p>36</p>  <p>1pcs</p> | <p>37</p>  <p>1pcs</p> |
| <p>40</p>  <p>1pcs</p> | <p>41</p>  <p>1pcs</p> |   |
|   |   |   |
|   |   |   |
|   |   |   |

# Assembly Instructions

## Step 1

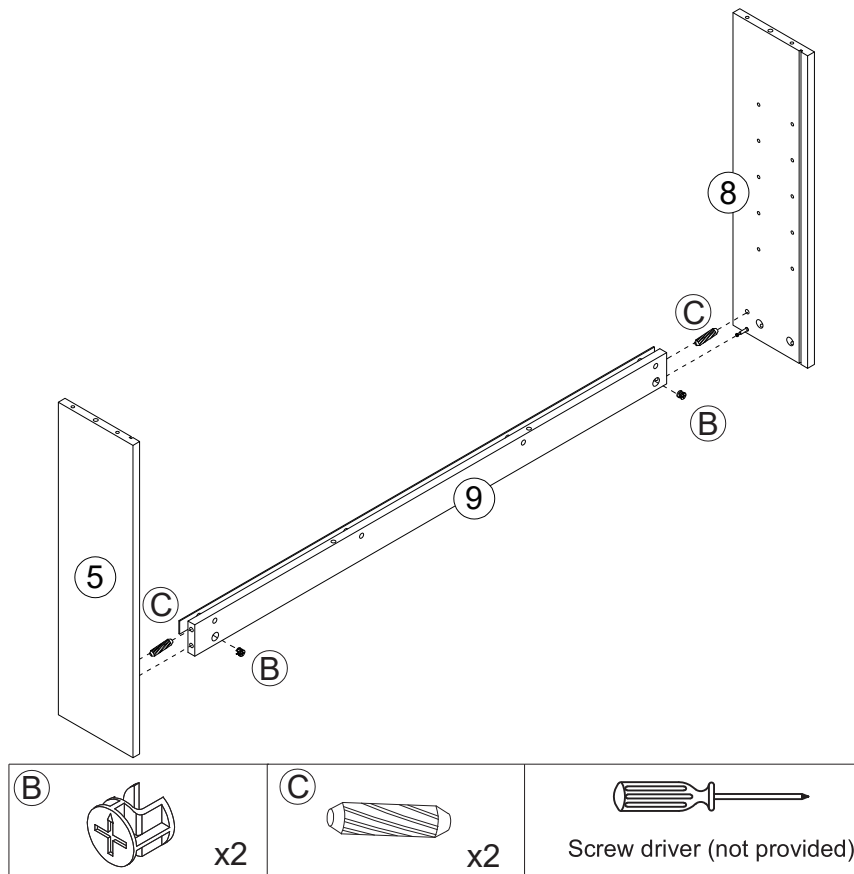


## Step 2

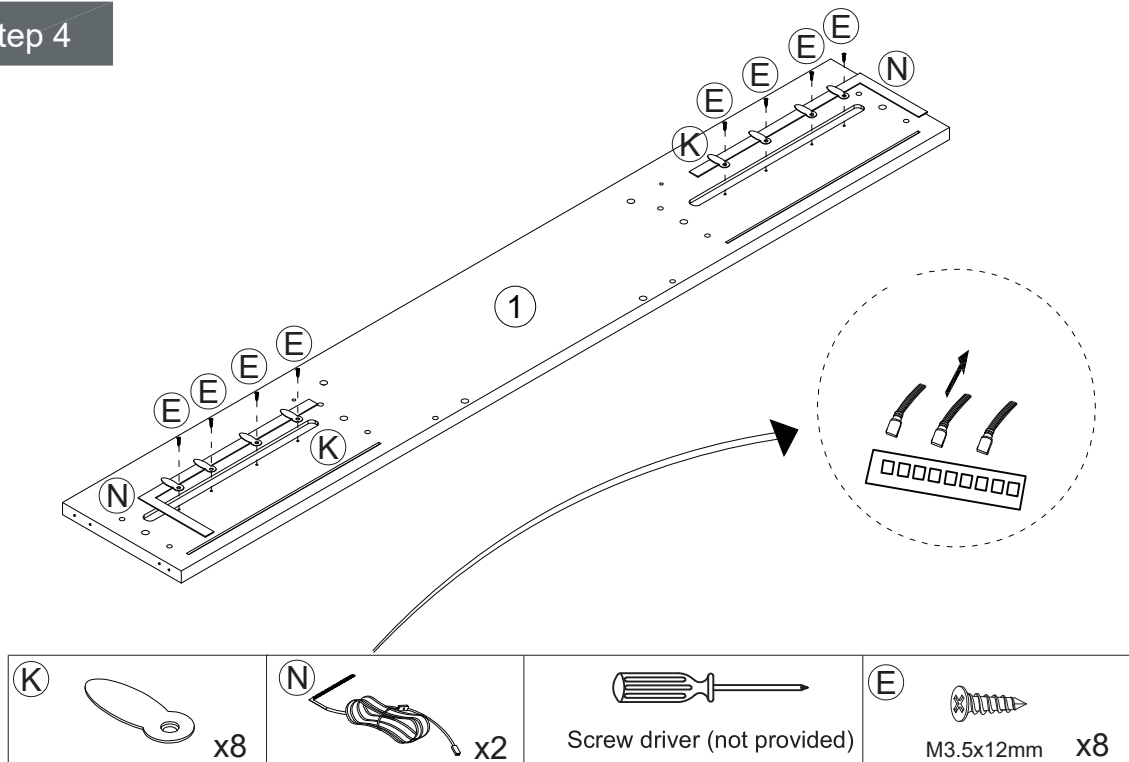


# Assembly Instructions

## Step 3

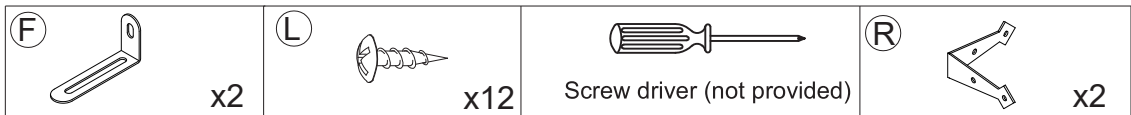
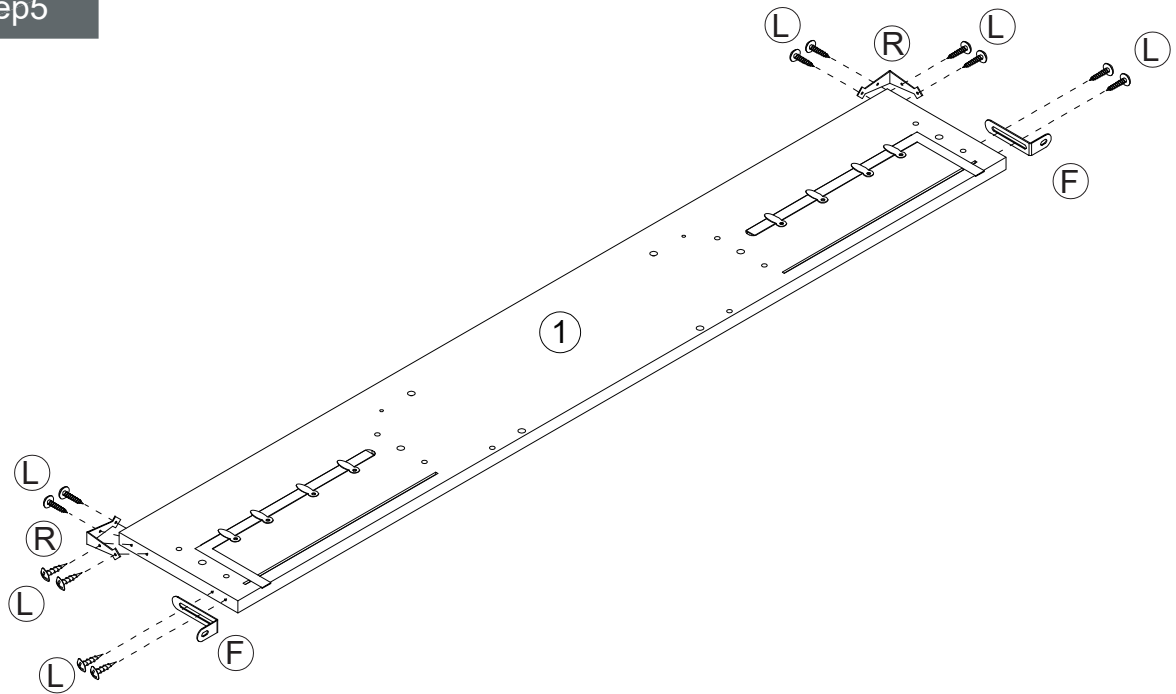


## Step 4

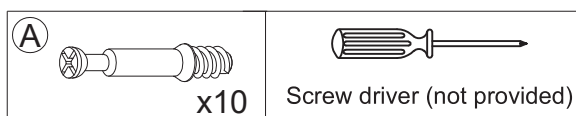
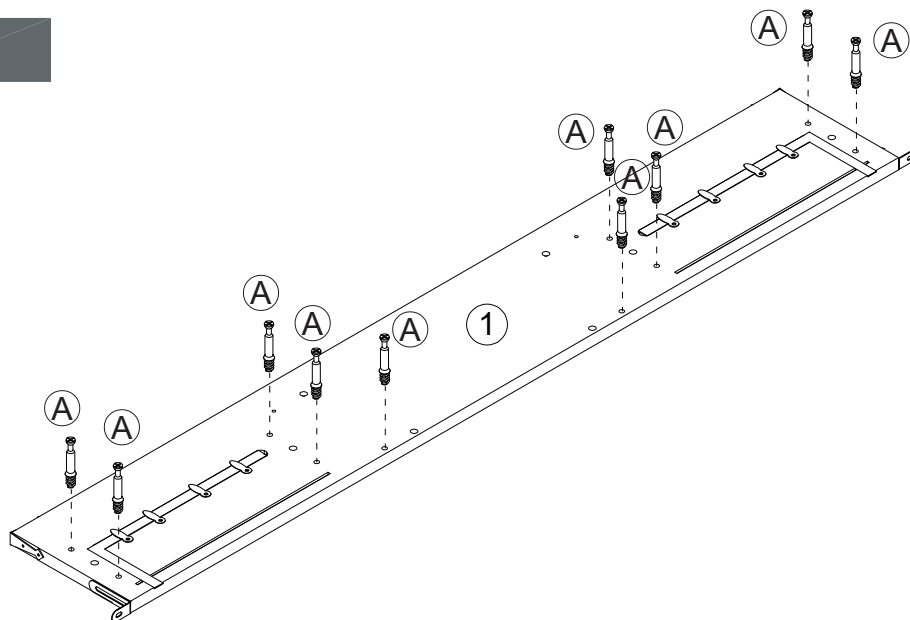


# Assembly Instructions

## Step5

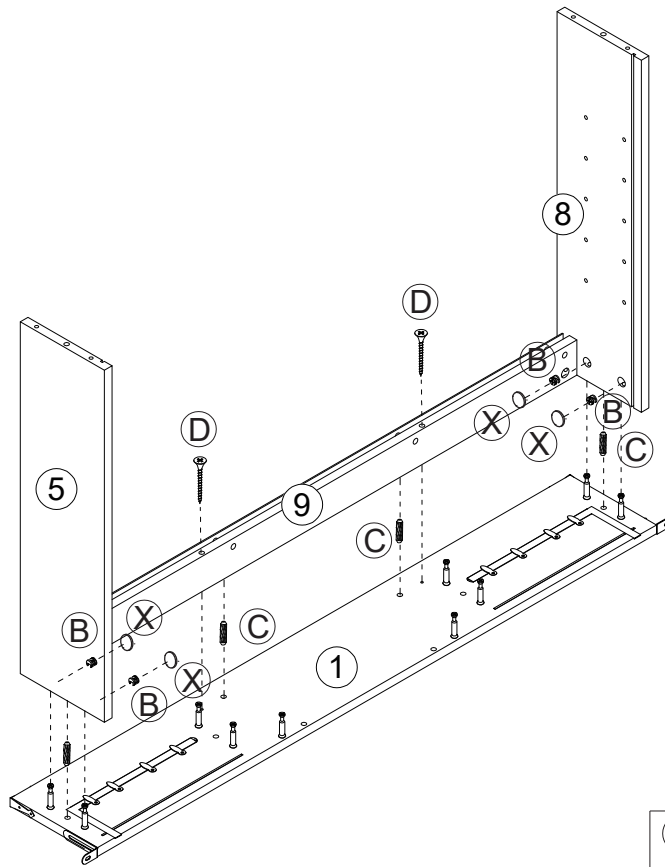




## Step6



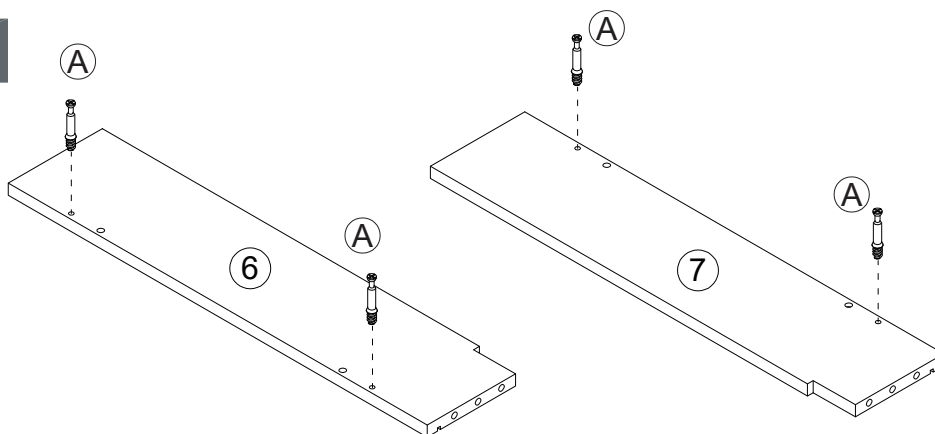
# Assembly Instructions

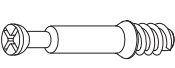

## Step 7



|   |   |   |   |
|---|---|---|---|
| <p><b>B</b></p>  <p>x4</p> | <p><b>C</b></p>  <p>x4</p> | <p>Screw driver (not provided)</p>  | <p><b>X</b></p>  <p>x4</p> |
|   |   |   | <p><b>D</b></p>  <p>x2</p> |

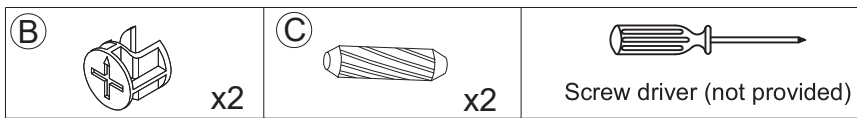
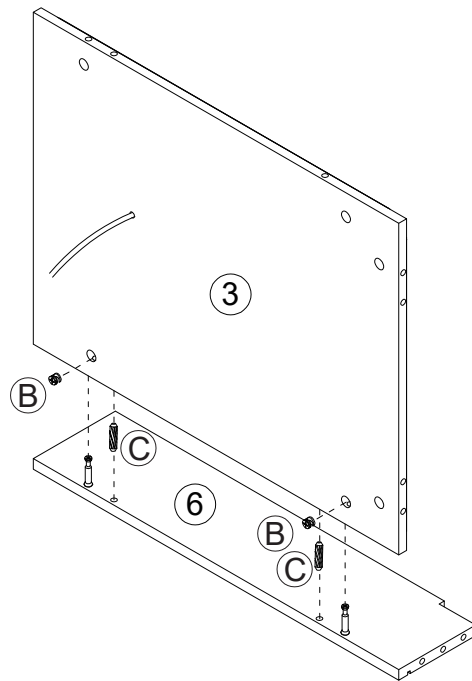
## Step 8



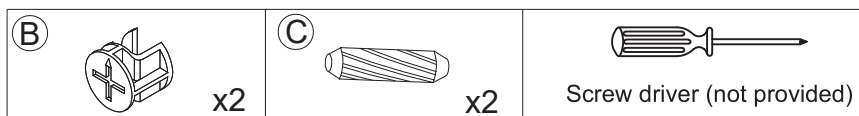
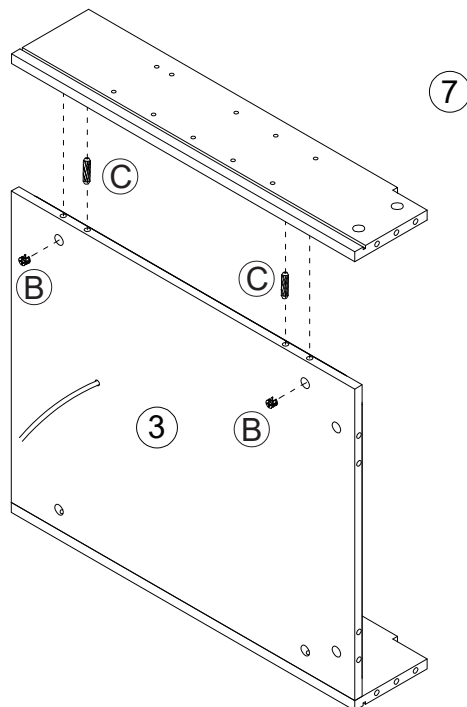
|   |  |
|---|--|
| <p><b>A</b></p>  <p>x4</p> | <p>Screw driver (not provided)</p>  |
|---|--|

# Assembly Instructions

Step9

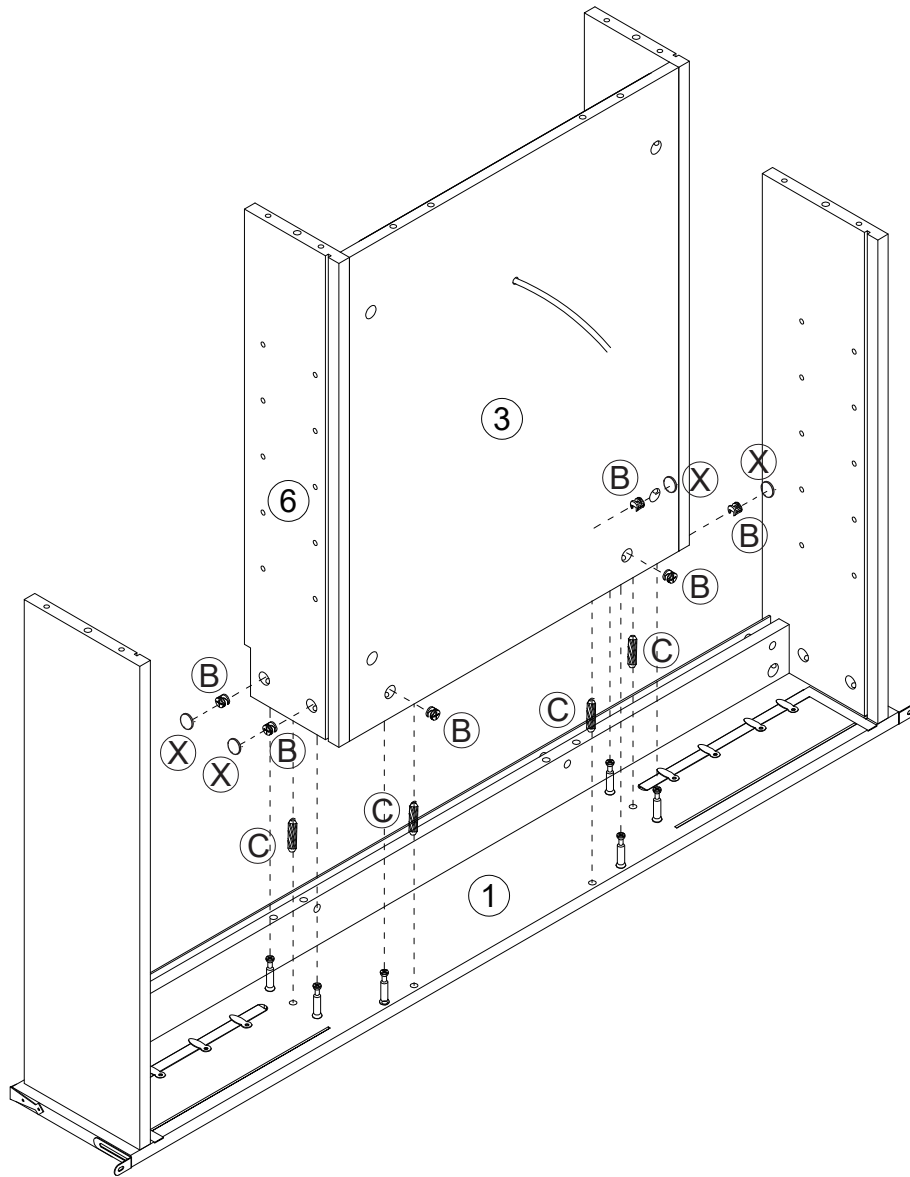



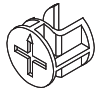


Step10



# Assembly Instructions

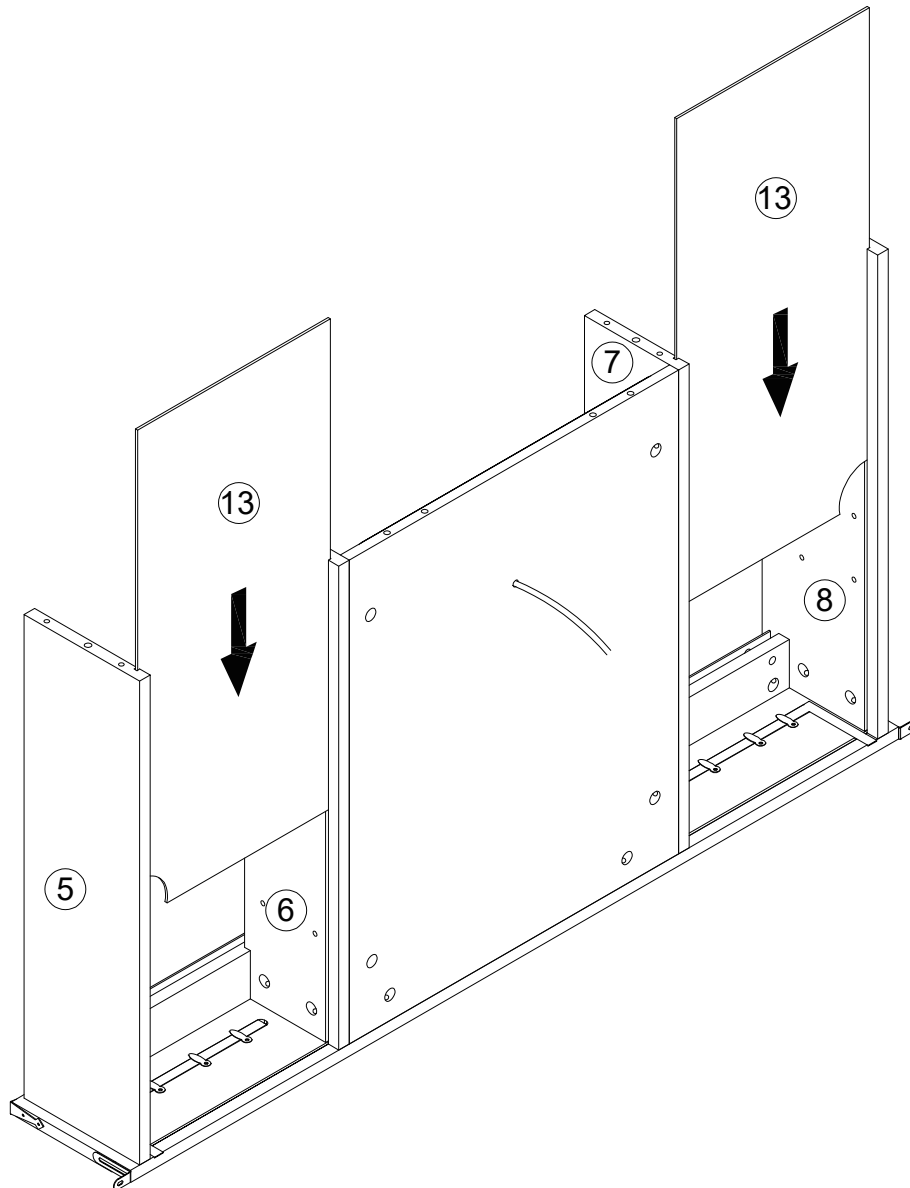
Step 11



|   |   |   |   |
|---|---|---|---|
| <br>x4 | <br>x6 | <br>x4 | <br>Screw driver (not provided) |
|---|---|---|---|

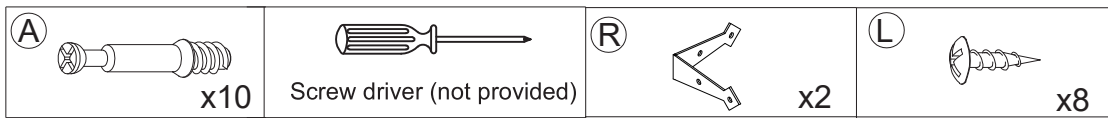
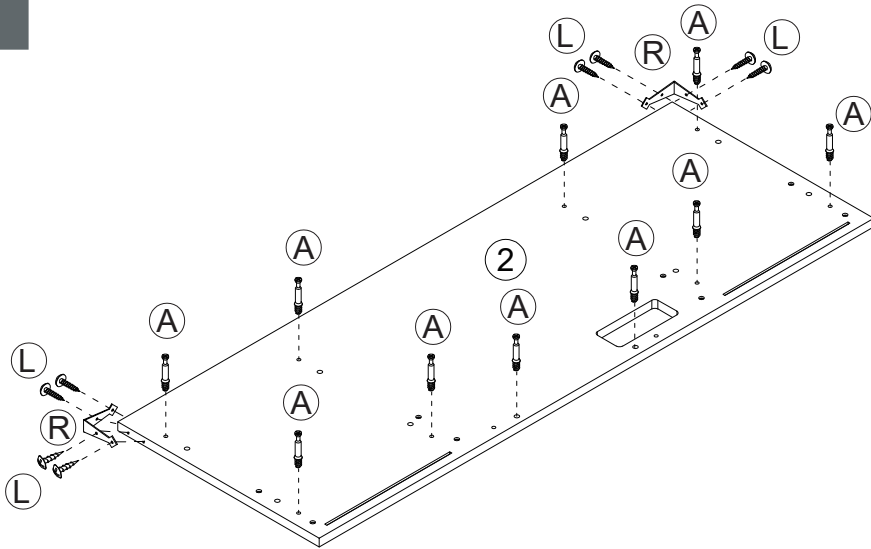
# Assembly Instructions

Step 12

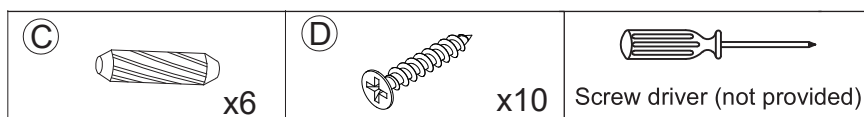
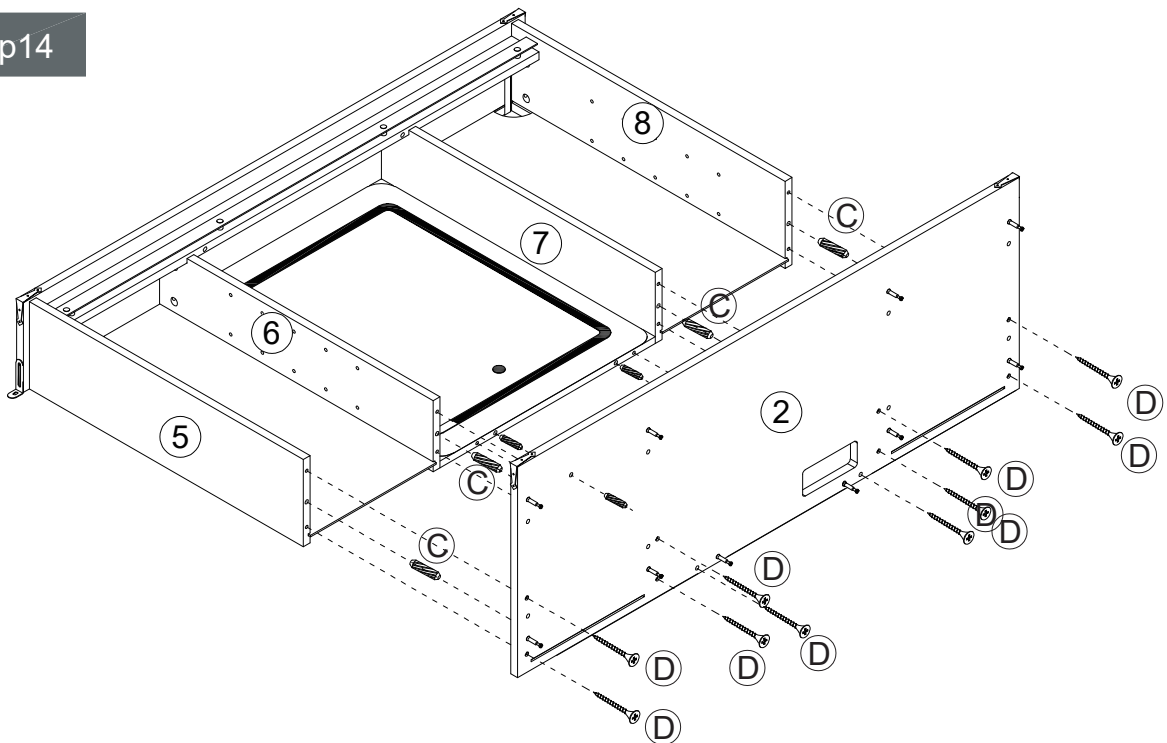


# Assembly Instructions

## Step 13

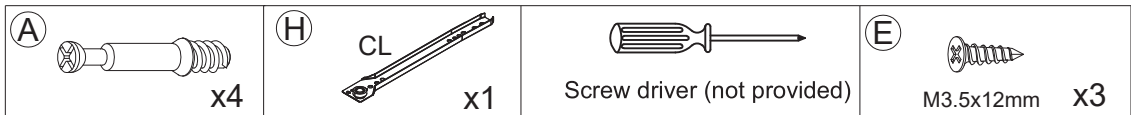
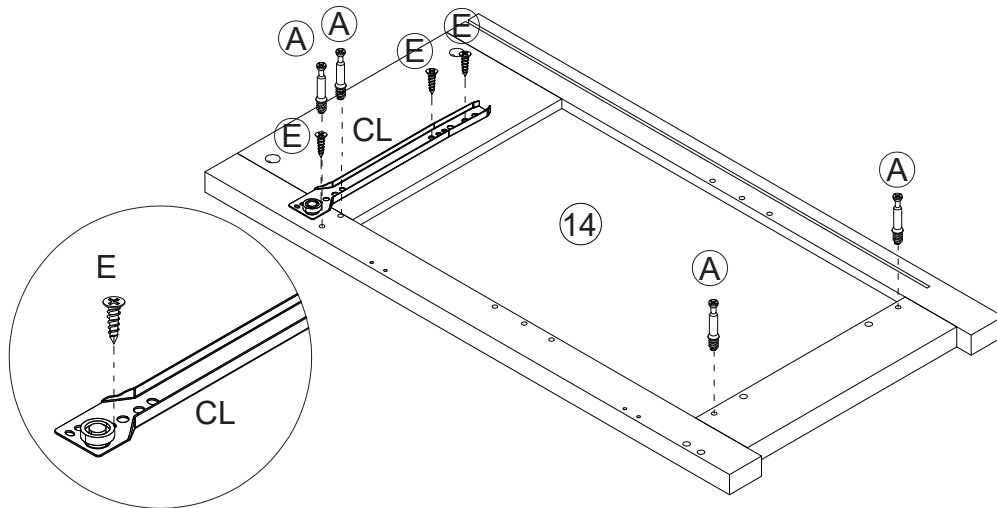


## Step 14

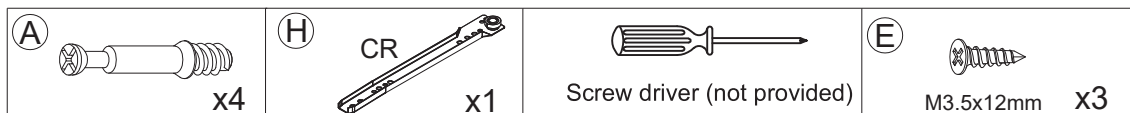
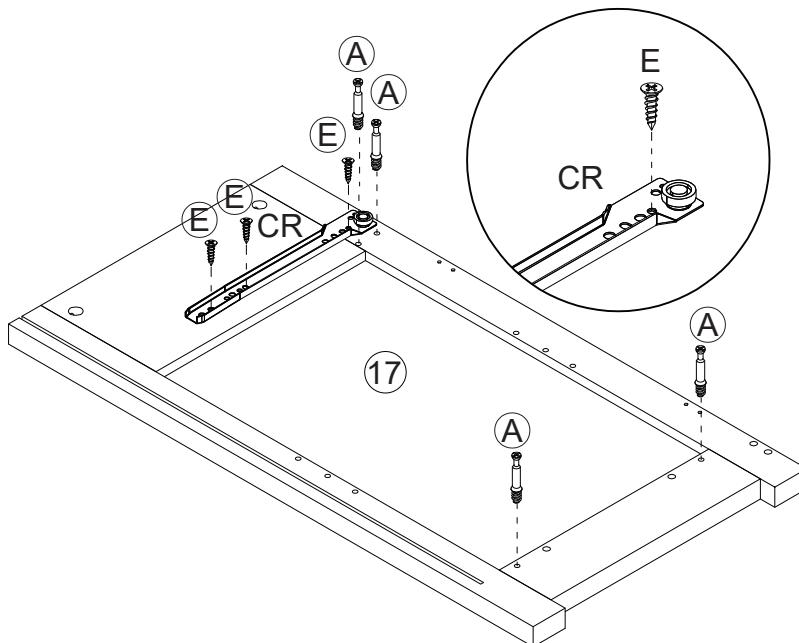


# Assembly Instructions

## Step 15

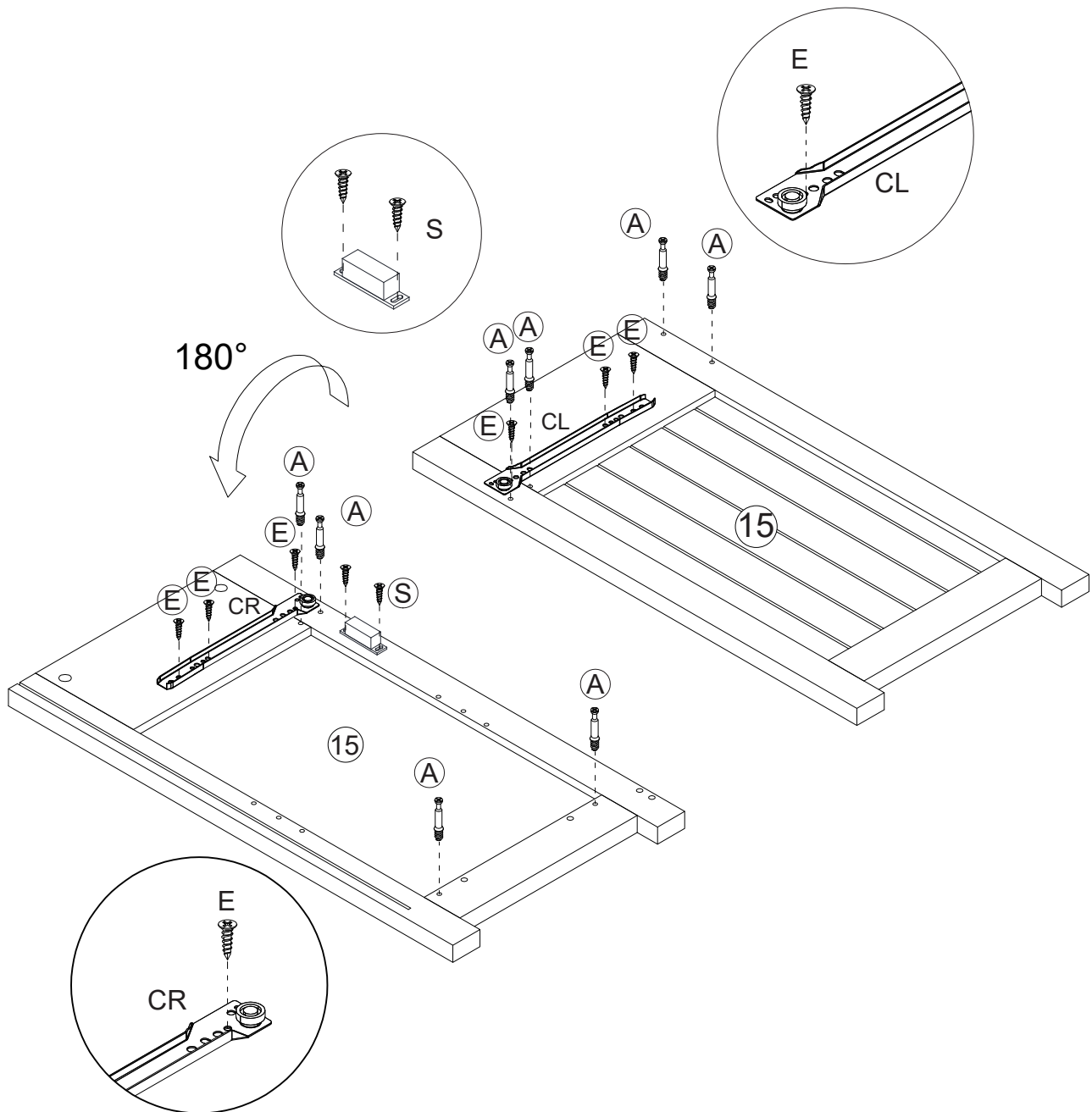


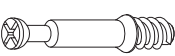



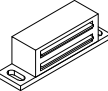
## Step 16



# Assembly Instructions

## Step 17

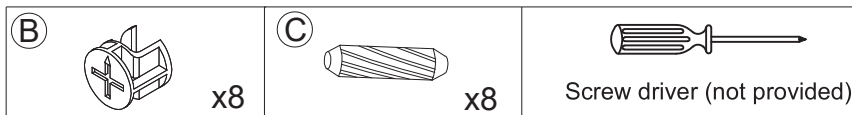
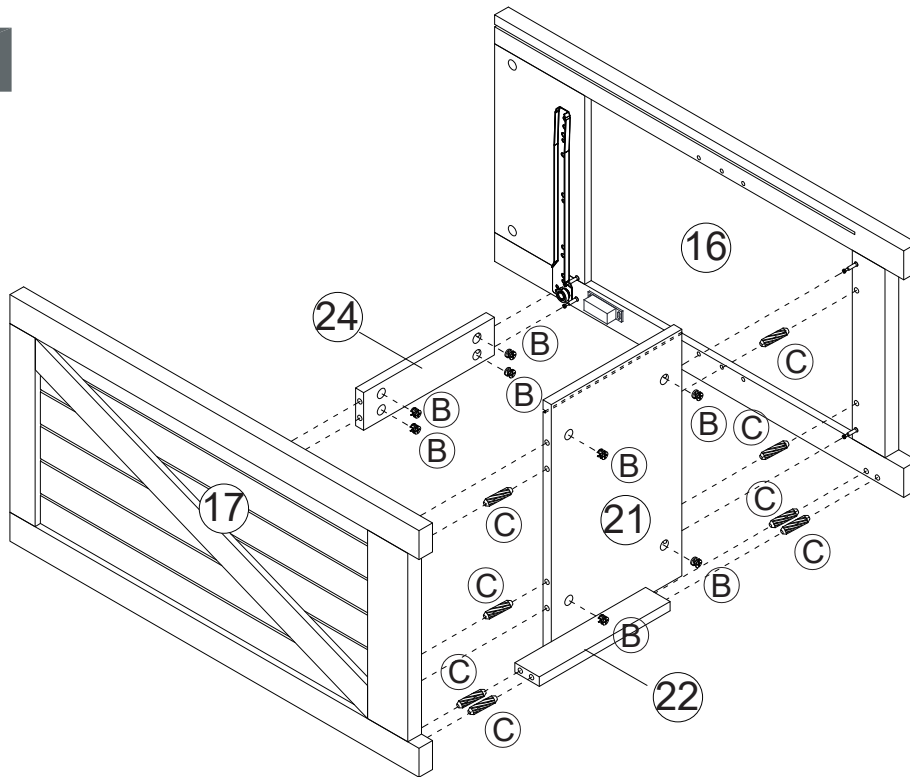


|  |   |   |  |
|--|---|---|--|
| <br><b>A</b> x8   | <br><b>H</b> CR x1<br><b>CL</b> x1 | <br>Screw driver (not provided) | <br><b>E</b> M3.5x12mm x6 |
| <br><b>S</b> x1 |   |   |  |

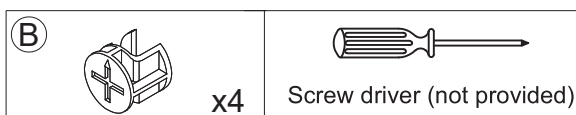
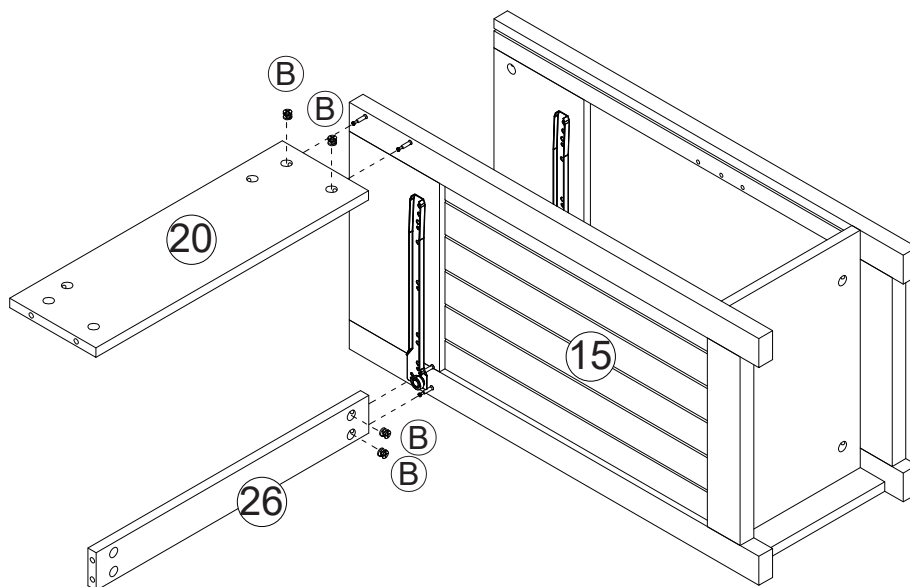


# Assembly Instructions

## Step 20

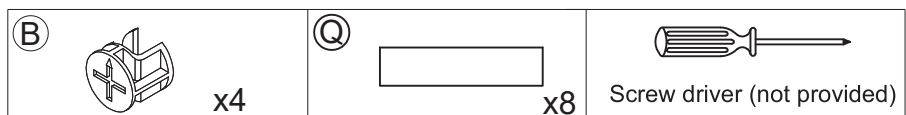
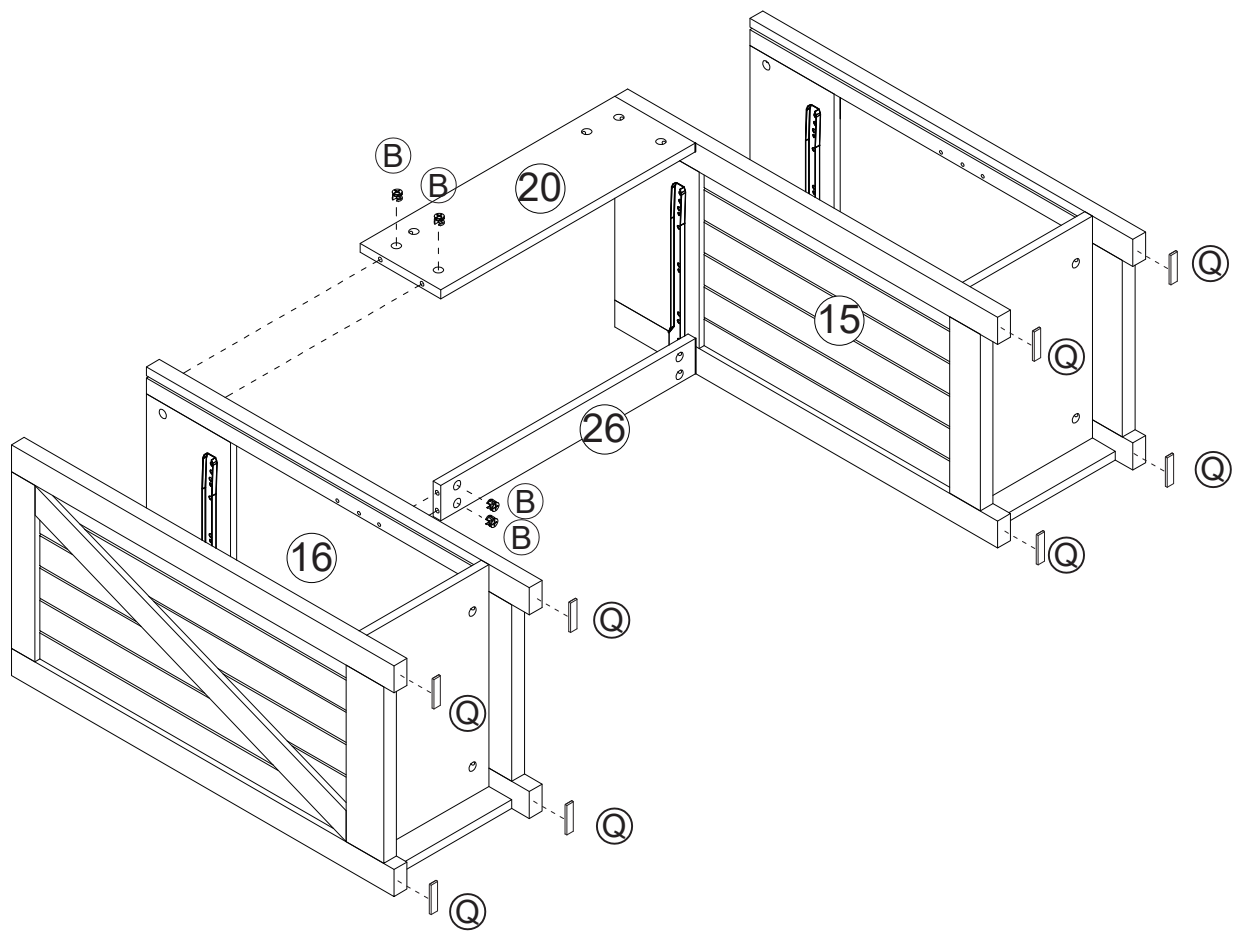


## Step 21



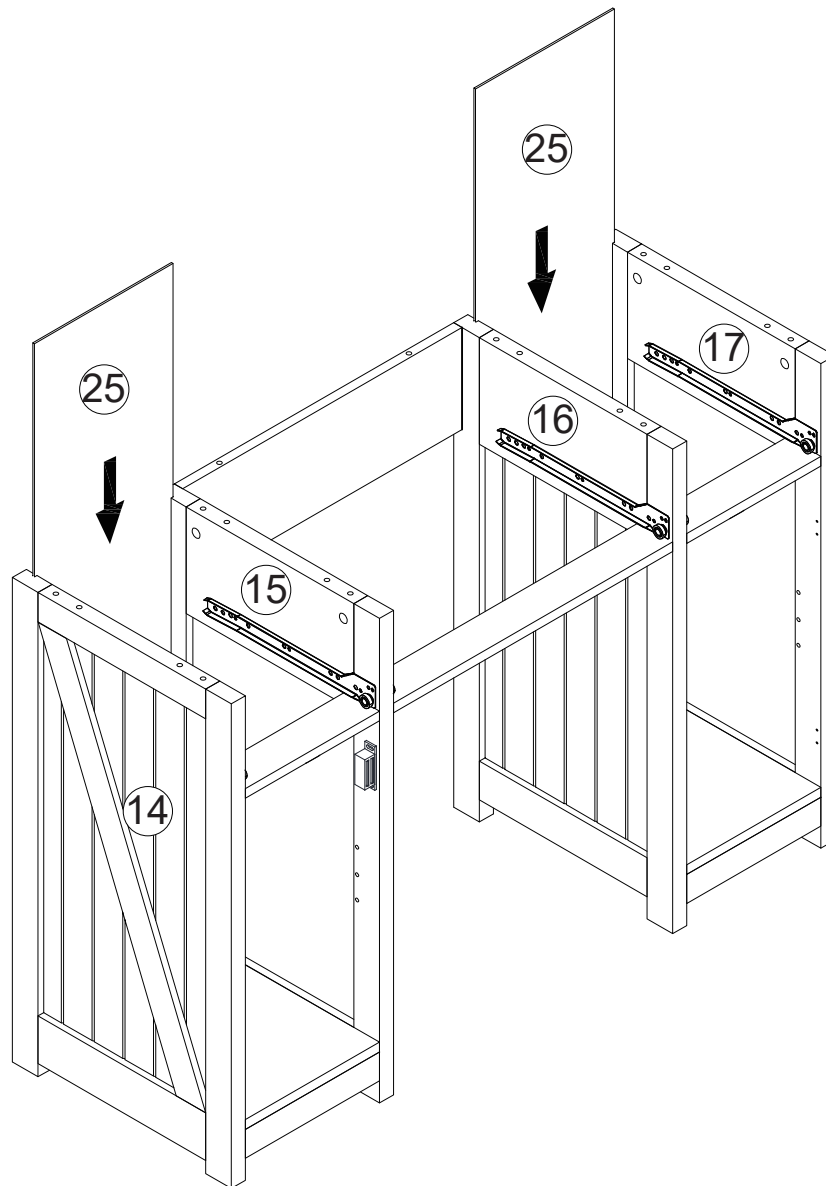
# Assembly Instructions

Step 22



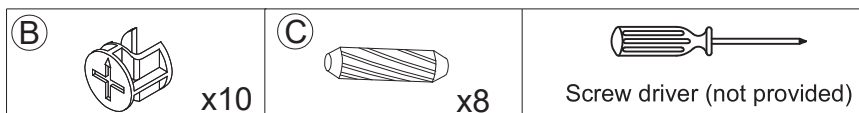
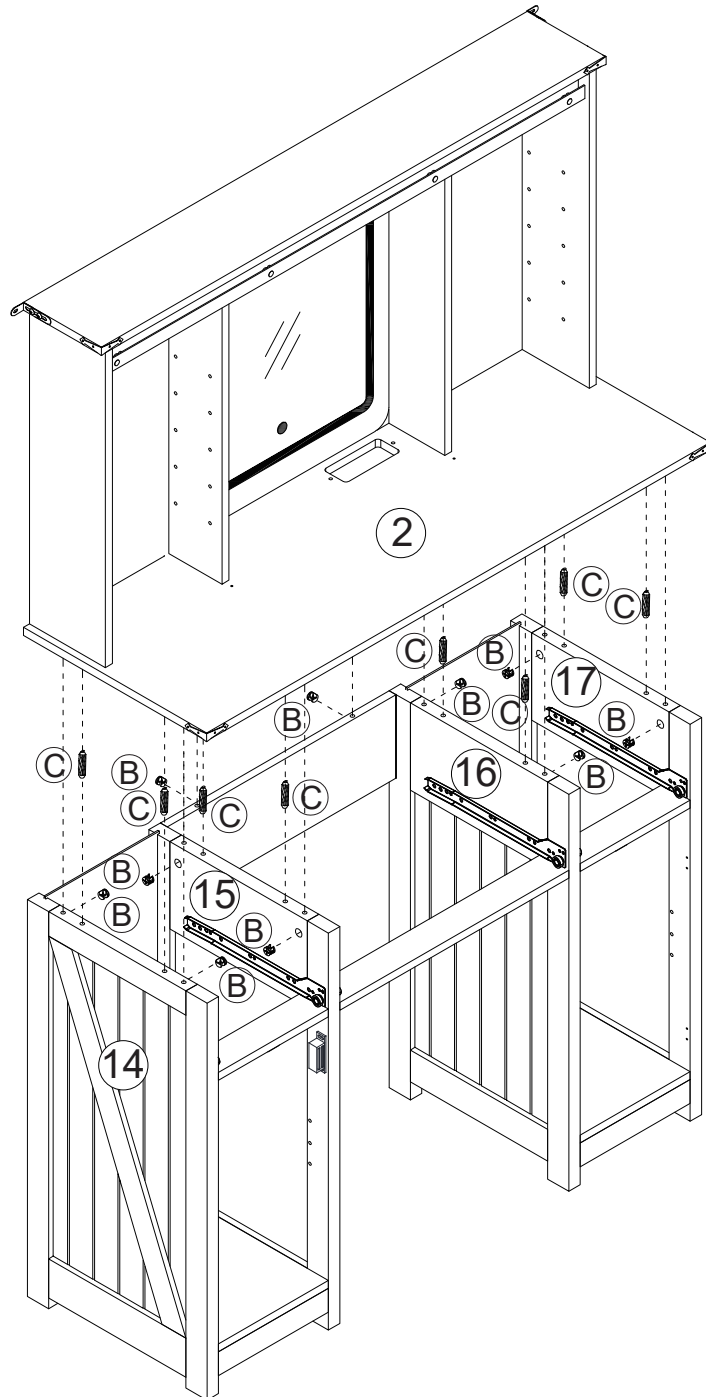
# Assembly Instructions

Step 23



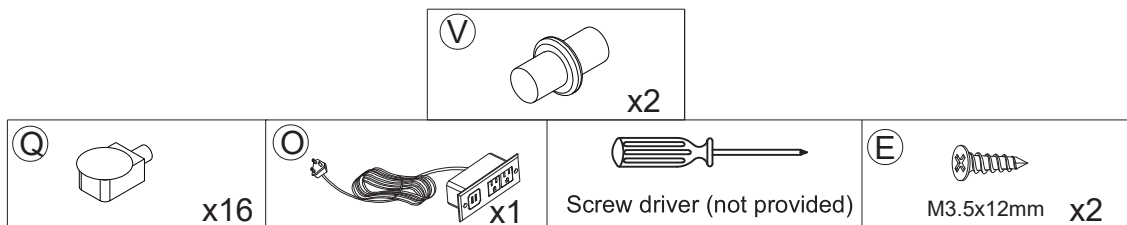
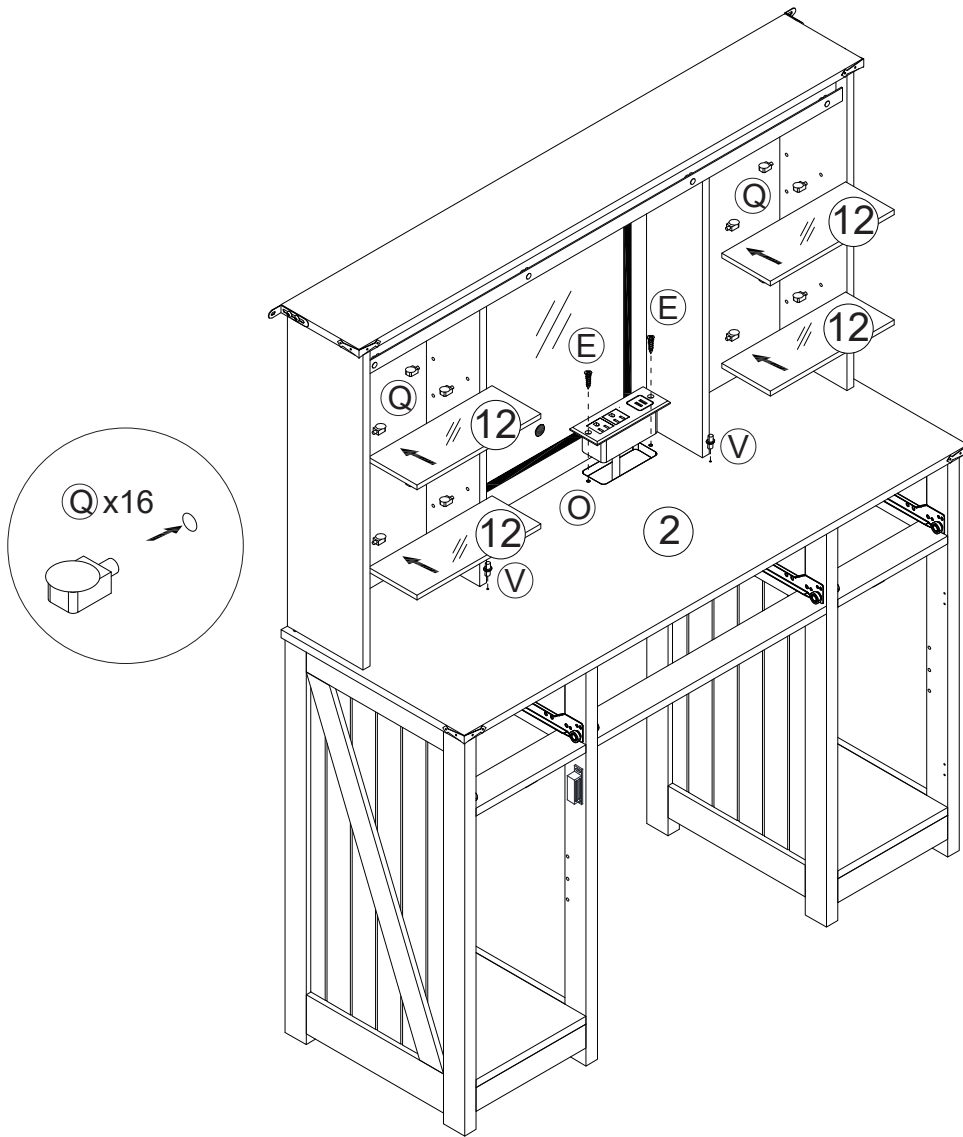
# Assembly Instructions

Step 24



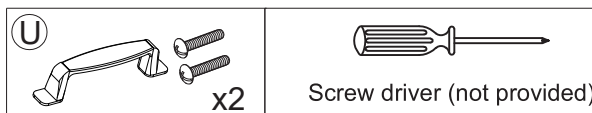
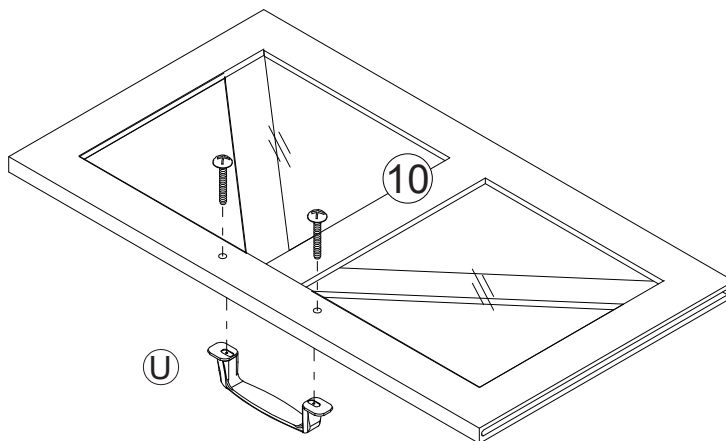
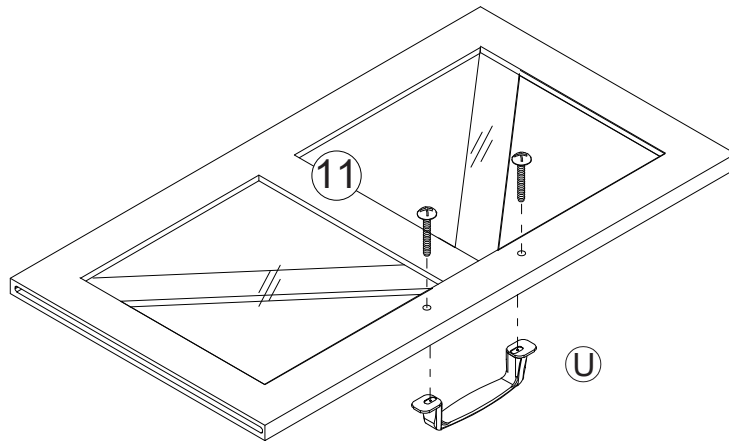
# Assembly Instructions

## Step 25



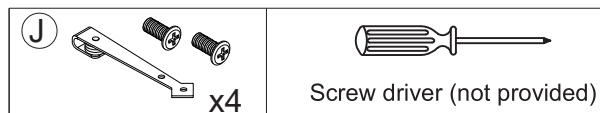
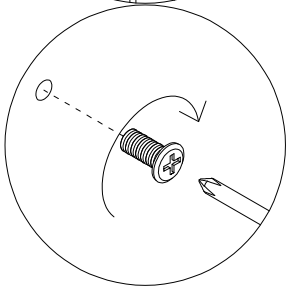
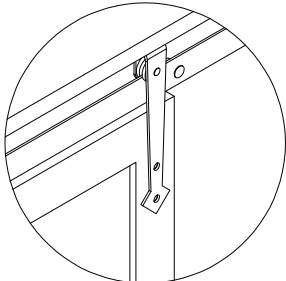
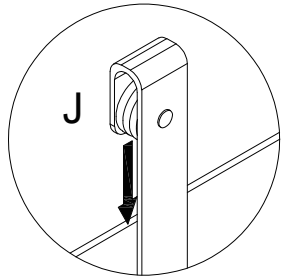
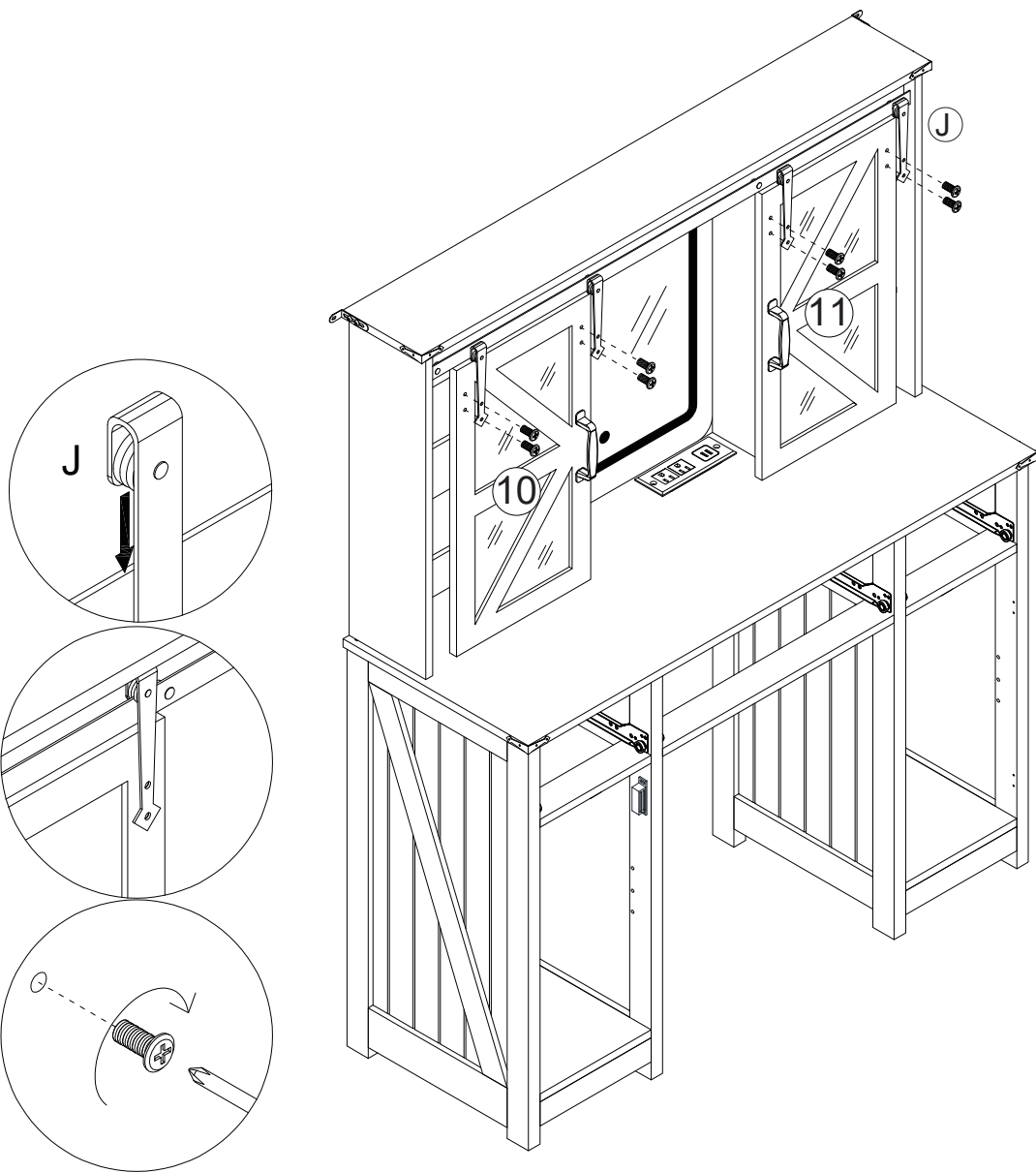
# Assembly Instructions

Step 27



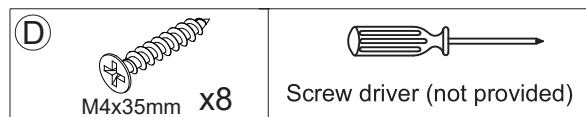
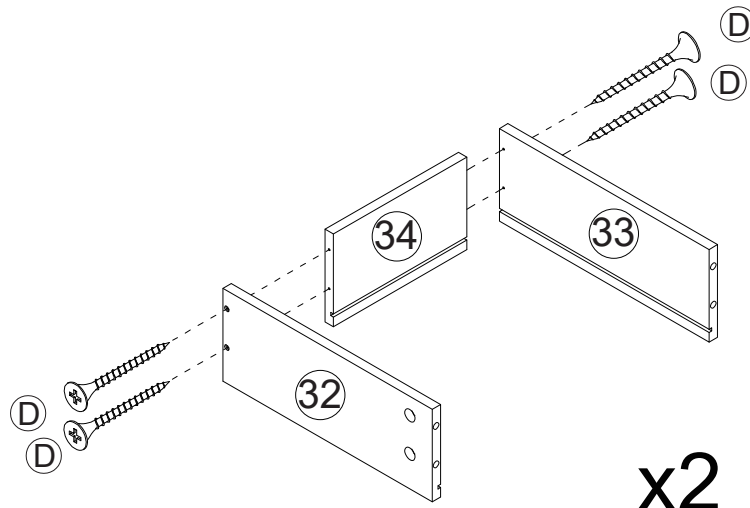
# Assembly Instructions

Step 28

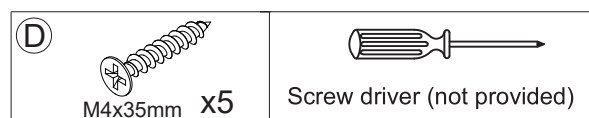
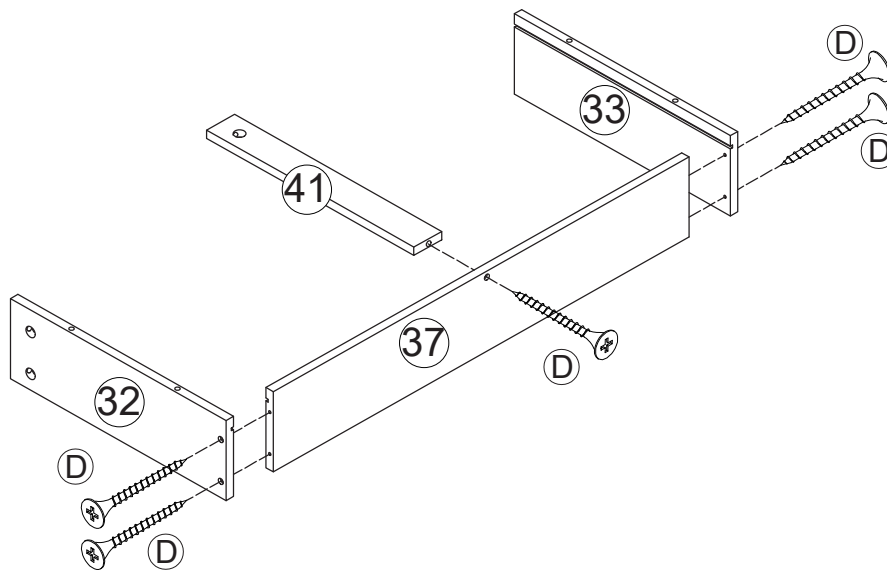


# Assembly Instructions

## Step29

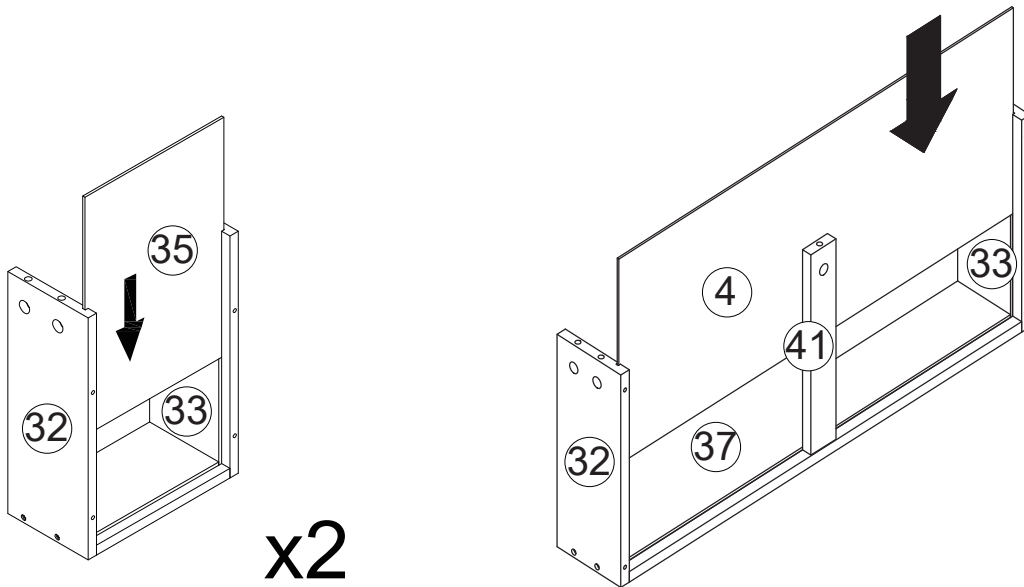


## Step30

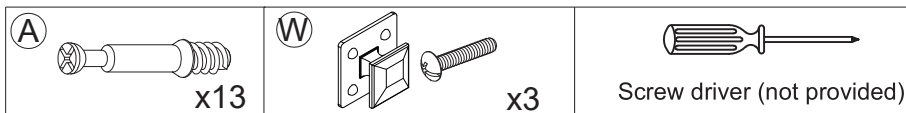
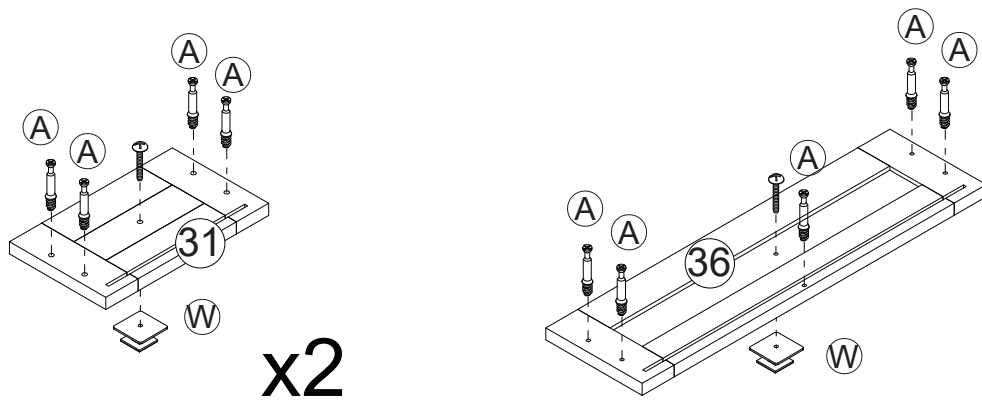


# Assembly Instructions

## Step31

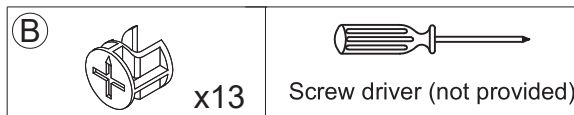
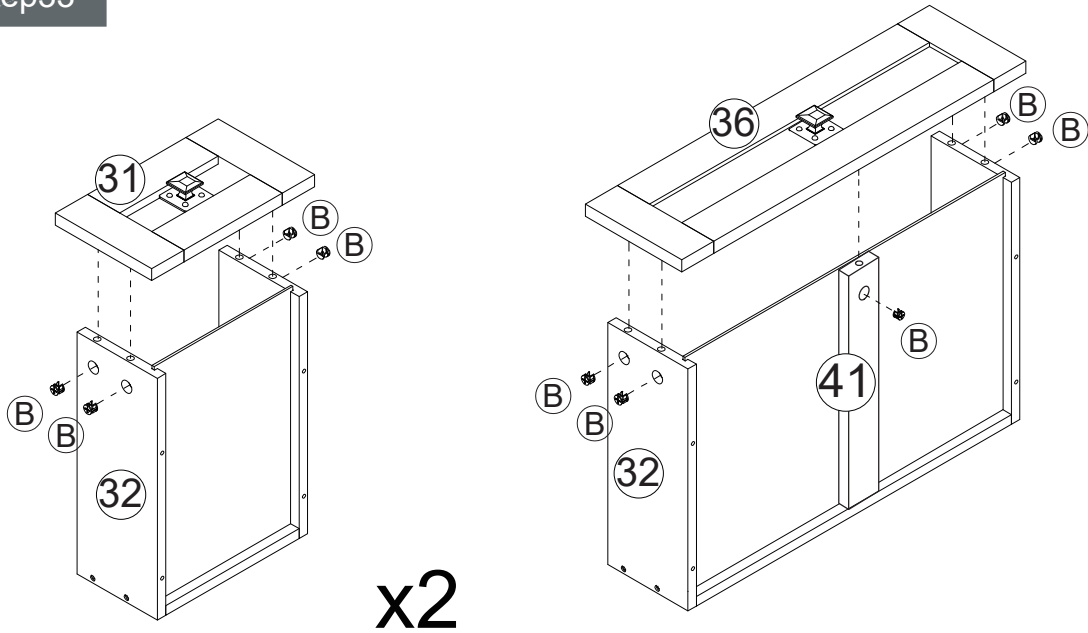


## Step32

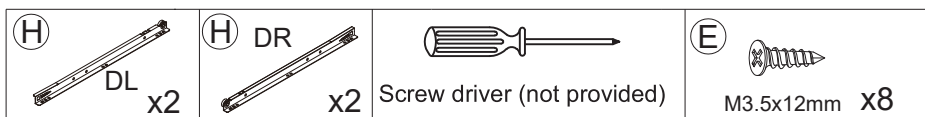
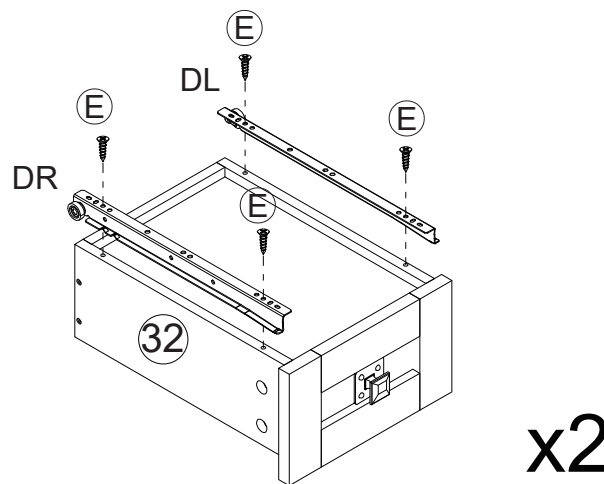


# Assembly Instructions

## Step 33

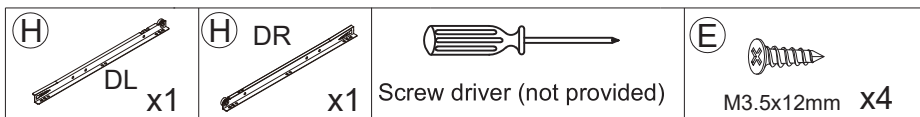
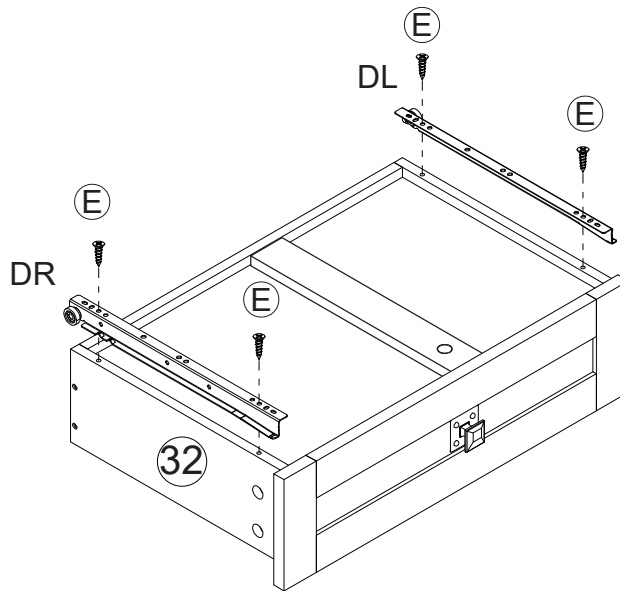


## Step 34

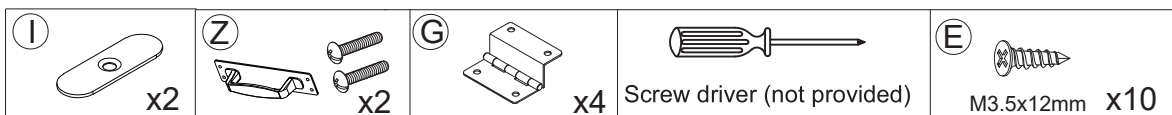
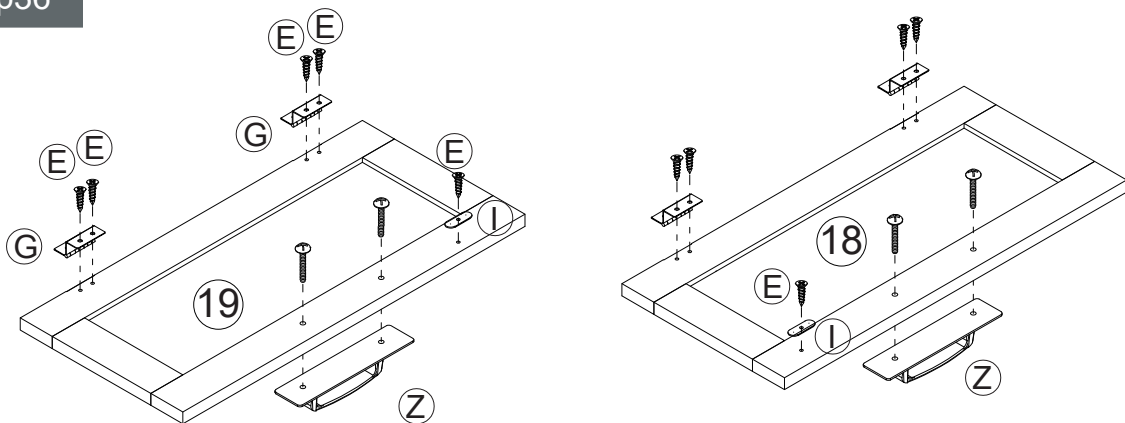


# Assembly Instructions

## Step35

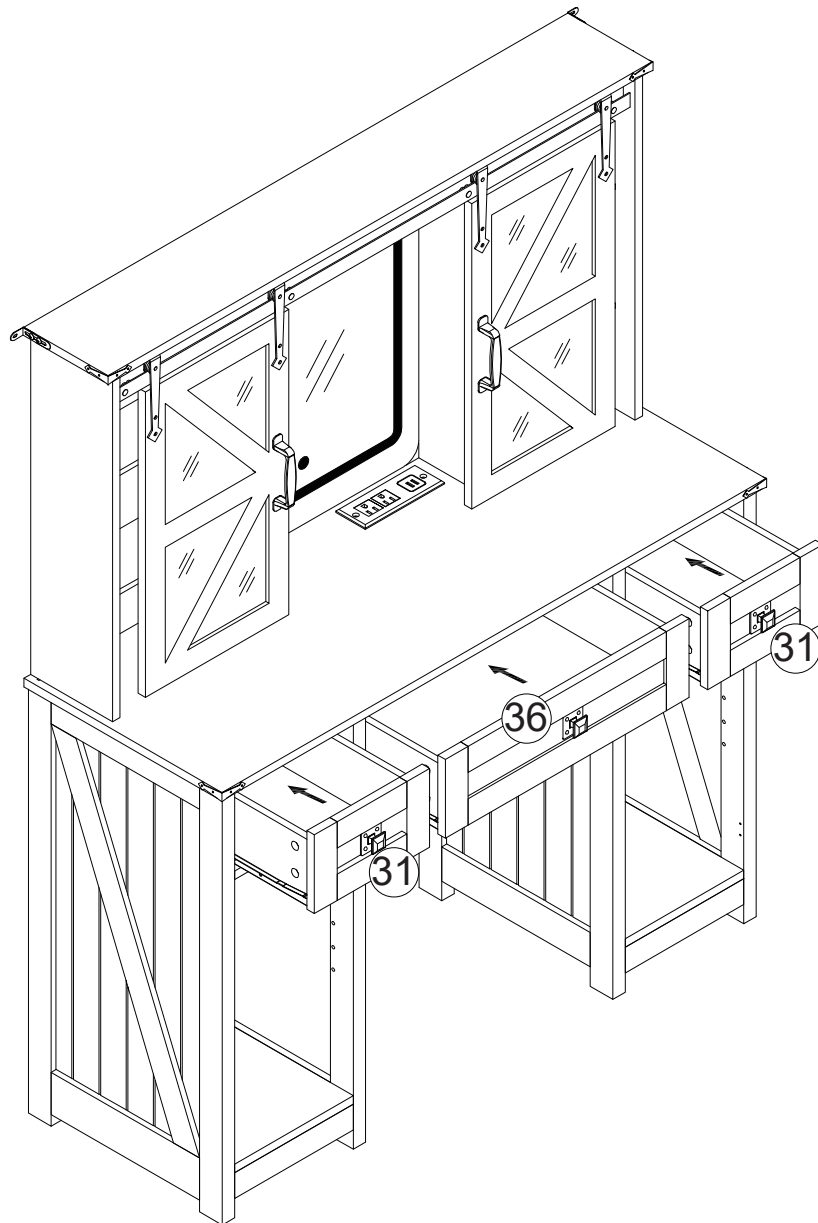


## Step36



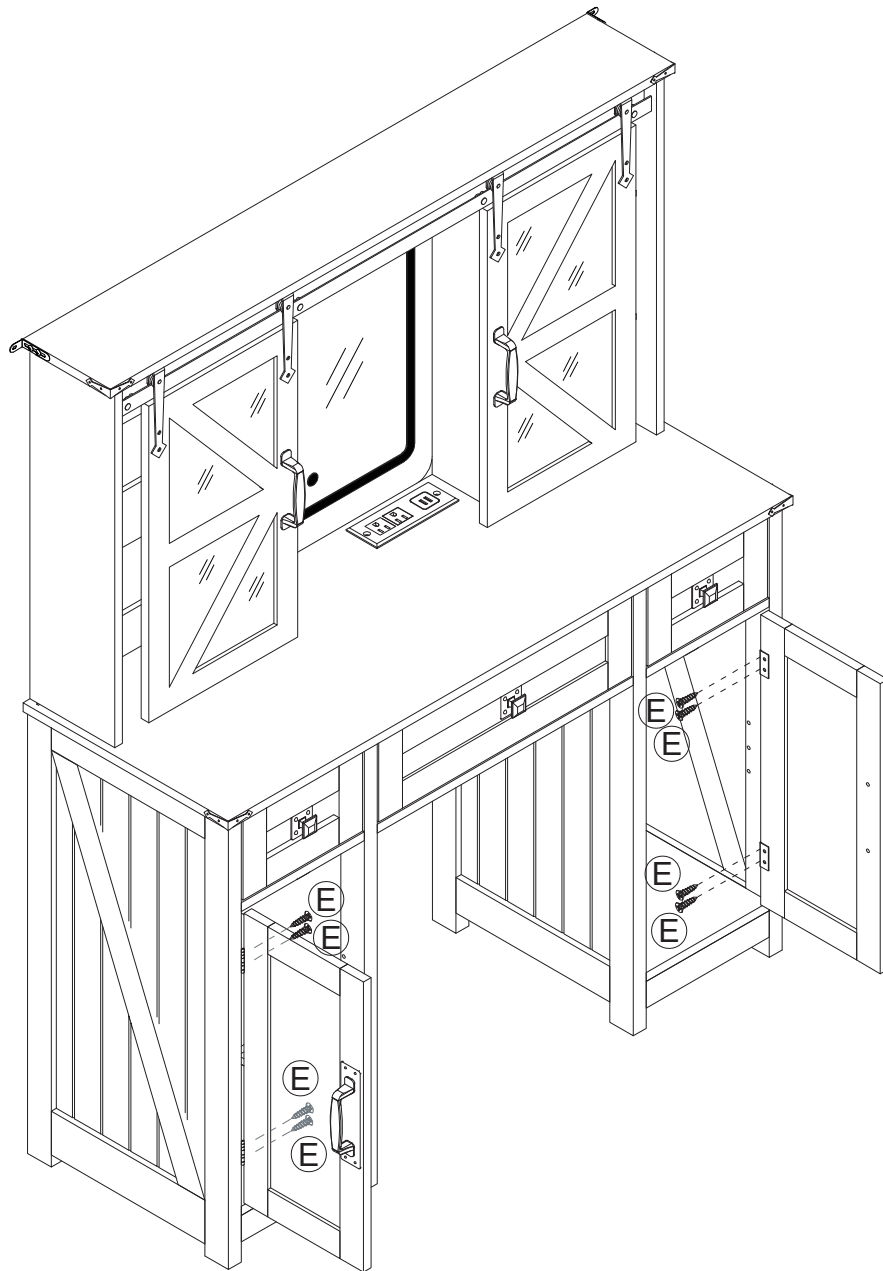
# Assembly Instructions

Step 37



# Assembly Instructions

Step38



Screw driver (not provided)

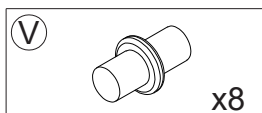
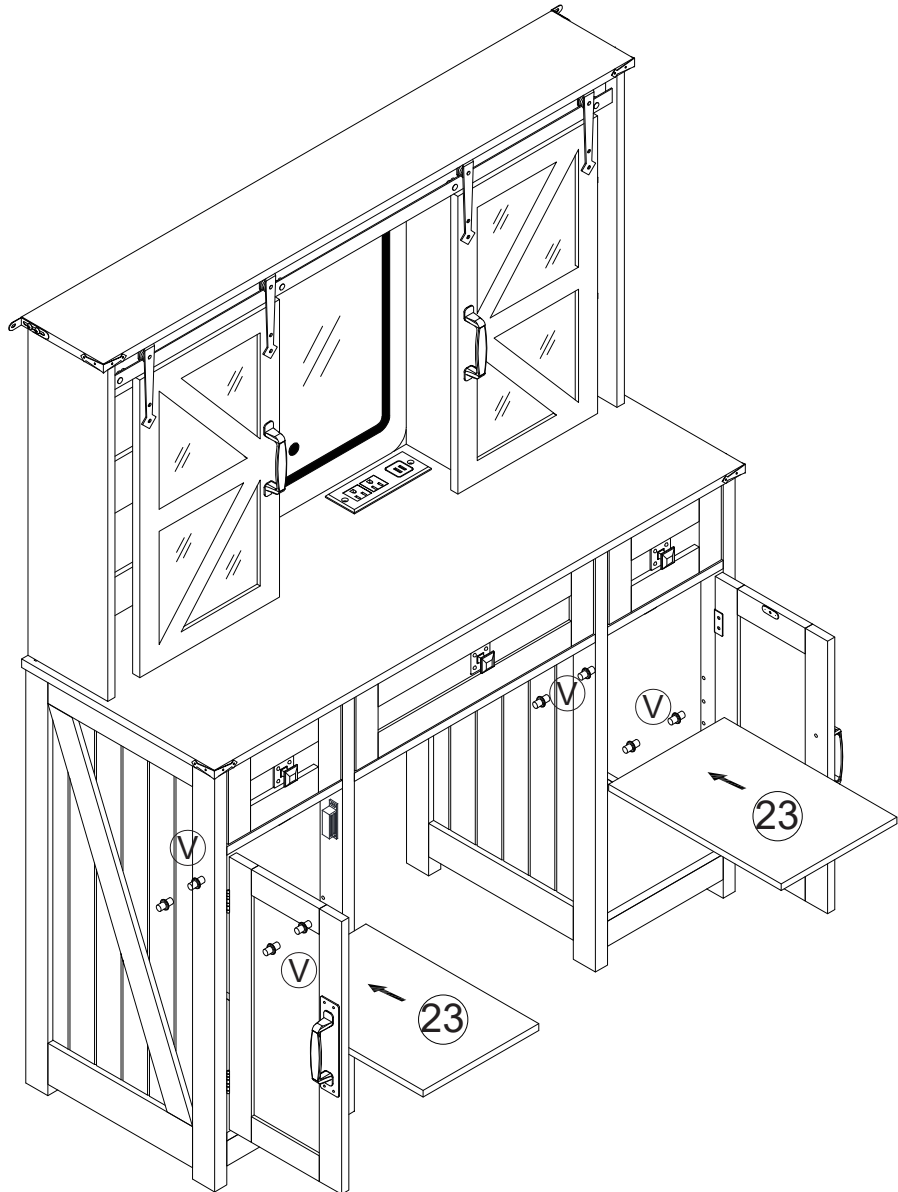
E



M3.5x12mm X8

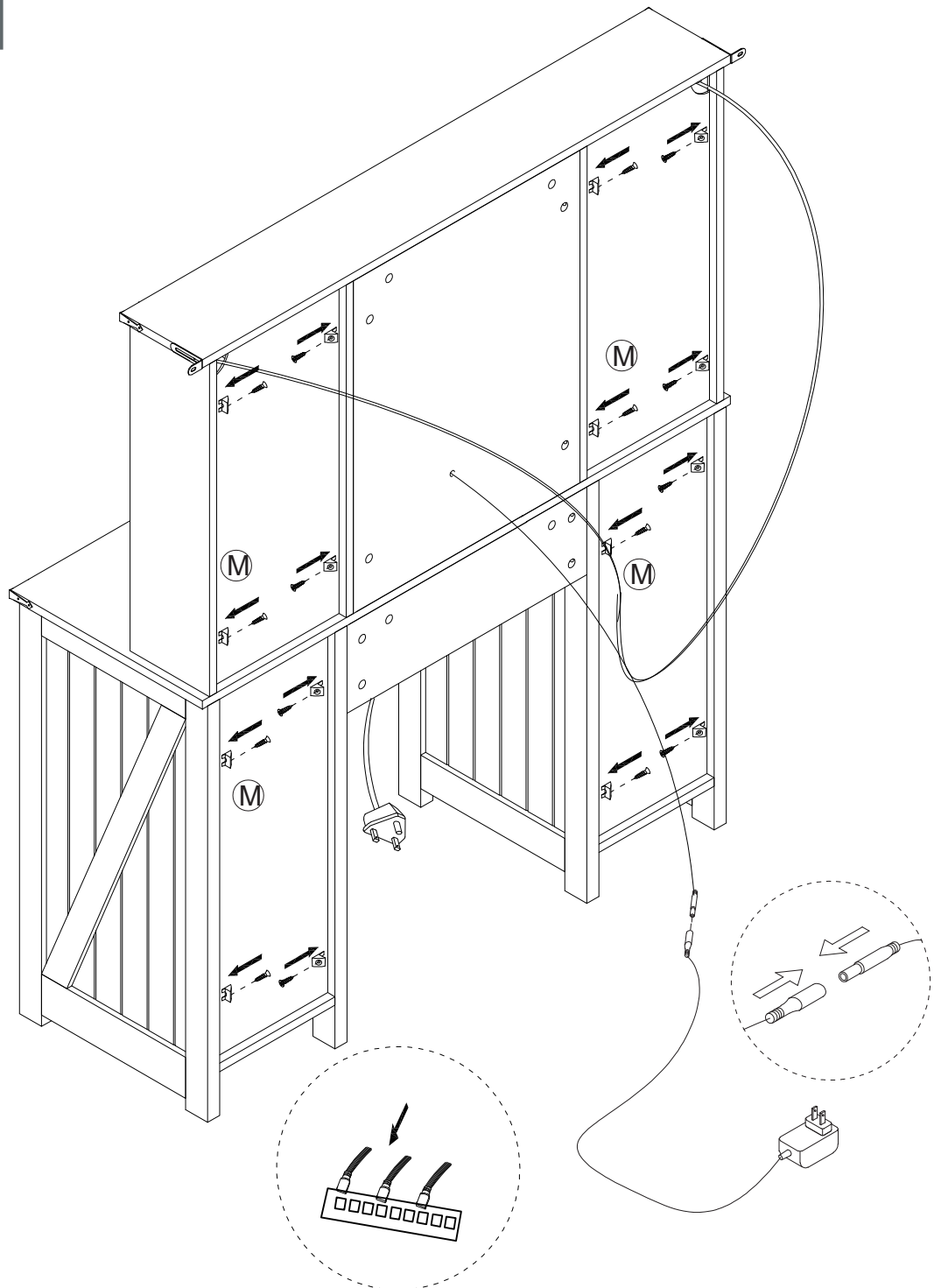
# Assembly Instructions





Step 39



# Assembly Instructions

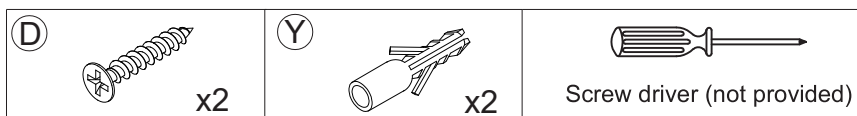
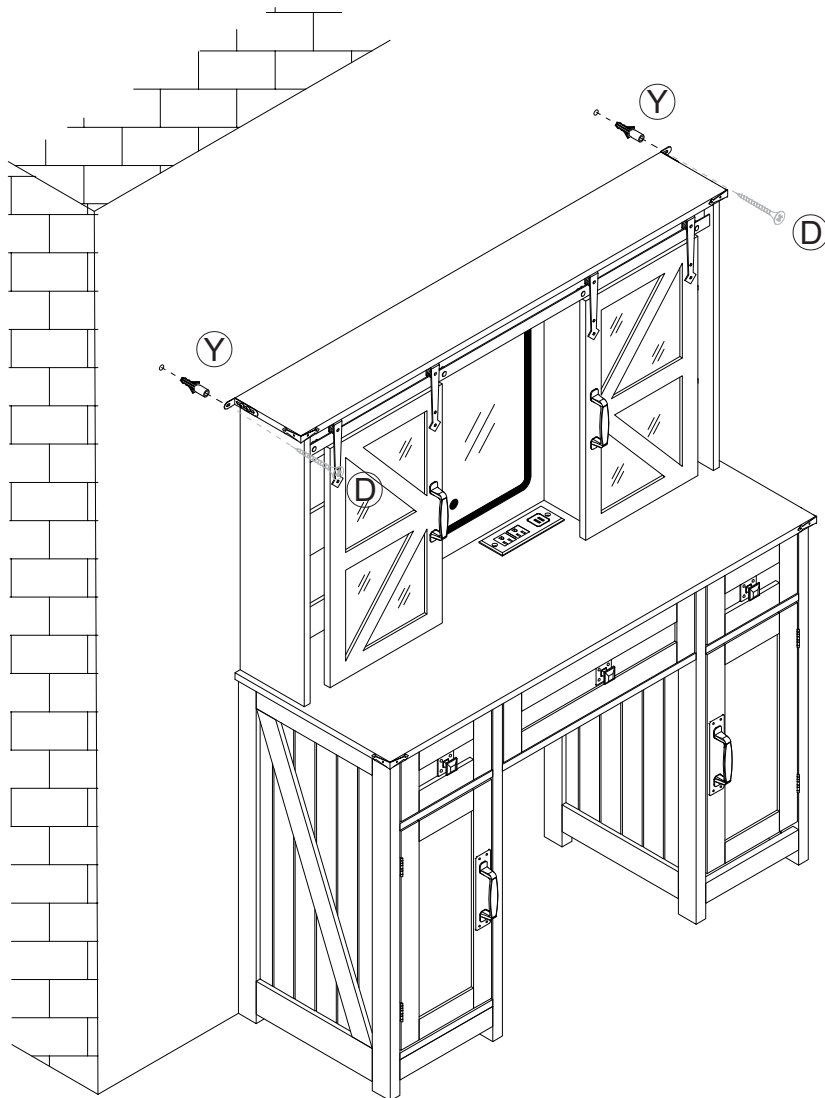
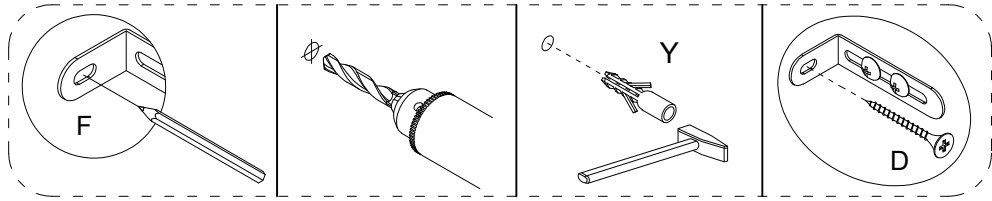
Step40



|   |   |         |     |   |    |   |                             |
|---|---|---------|-----|---|----|---|-----------------------------|
|  (M) |  | M3x12mm | x16 |  (N) | x1 |  | Screw driver (not provided) |
|---|---|---------|-----|---|----|---|-----------------------------|

# Assembly Instructions

## Step 41





KeySense Testing & Certification International Co., Ltd.  
1-3F, Lab Building, No.29 District, Zhongkai Hi-Tech  
Industrial Development Park, Huizhou, Guangdong,  
China

Tel:0752-3219929  
Fax:0752-3219929  
<http://www.kst-cert.com>

# Supplier's Declaration of Conformity

Certificate No.: KST241113F001Q01


Report No.: KST241113F001Q01

**Holder:** JENSON ENTERPRISE CO., LTD  
**Address:** Old Guanchang Road, Ailingkan Village, Dalinashan Tow, DONGGUAN  
Guangdong 523000  
**Product:** Furniture power Distribution Units  
**Model Name:** JN02-03-22-2; JN02-03-22TR-2; JN02-03-22-1; JN02-03-22TR-1;  
JN02-03-22; JN02-03-22-TR; JN02-03-21; JN02-03-21-1; JN02-03-21-2  
(Refer to page 6 of the report for details.)  
**Trade Name:** N/A

We, KeySense Testing & Certification International Co., Ltd., hereby certify that:

The device bearing the name and model specified above has been shown to comply with applicable technical standards as indicated in the test report and has been tested in accordance with the test specified procedures.

**Standards:**  
FCC CFR Title 47 Part 15 Subpart B  
ANSI C63.4-2014

**Signature:**   
**Name:** Jack.Li  
**Position:** Supervisor  
**Date:** November 19, 2024



The statement is based on single evaluation of one sample of above mentioned product. It does not imply an assessment of the whole production and does not permit the use of the test lab. Logo.

This authorizes the application of the Certification Mark(s) shown below to the models described in the Product(s) Covered section when made in accordance with the conditions set forth in the Certification Agreement and Listing Report. This authorization also applies to multiple listee model(s) identified on the correlation page of the Listing Report.

This document is the property of Intertek Testing Services and is not transferable. The certification mark(s) may be applied only at the location of the Party Authorized To Apply Mark.

|  |   |                       |   |
|--|---|-----------------------|---|
| <b>Applicant:</b>                      | JENSON ENTERPRISE CO., LTD  | <b>Manufacturer:</b>  | JENSON ENTERPRISE CO., LTD  |
| <b>Address:</b>                        | Old Guanchang Road,<br>Ailingkan Village, Dalingshan Town,<br>DONGGUAN Guangdong 523000 | <b>Address:</b>       | Old Guanchang Road,<br>Ailingkan Village, Dalingshan Town,<br>DONGGUAN Guangdong 523000   |
| <b>Country:</b>                        | CHINA   | <b>Country:</b>       | CHINA   |
| <b>Party Authorized To Apply Mark:</b> | Same as Manufacturer  |                       |   |
| <b>Report Issuing Office:</b>          | Intertek Testing Services (Shanghai FTZ) Co., Ltd                                       |                       |   |
| <b>Control Number:</b>                 | <u>5010697</u>  | <b>Authorized by:</b> | <br>_____ for L. Matthew Snyder, Certification Manager |



This document supersedes all previous Authorizations to Mark for the noted Report Number.

This Authorization to Mark is for the exclusive use of Intertek's Client and is provided pursuant to the Certification agreement between Intertek and its Client. Intertek's responsibility and liability are limited to the terms and conditions of the agreement. Intertek assumes no liability to any party, other than to the Client in accordance with the agreement, for any loss, expense or damage occasioned by the use of this Authorization to Mark. Only the Client is authorized to permit copying or distribution of this Authorization to Mark and then only in its entirety. Use of Intertek's Certification mark is restricted to the conditions laid out in the agreement and in this Authorization to Mark. Any further use of the Intertek name for the sale or advertisement of the tested material, product or service must first be approved in writing by Intertek. Initial Factory Assessments and Follow up Services are for the purpose of assuring appropriate usage of the Certification mark in accordance with the agreement, they are not for the purposes of production quality control and do not relieve the Client of their obligations in this respect.

Intertek Testing Services NA Inc.  
545 East Algonquin Road, Arlington Heights, IL 60005  
Telephone 800-345-3851 or 847-439-5667 Fax 312-283-1672

|                     |   |
|---------------------|---|
| <b>Standard(s):</b> | Furniture Power Distribution Units [UL 962A:2023 Ed.6]<br>Cord Reels And Multi-Outlet Assemblies [CSA C22.2#308:2018 Ed.2]  |
| <b>Product:</b>     | Furniture Power Distribution Unit   |
| <b>Models:</b>      | JN00-03-01, JN00-03-02, JN00-03-03, JN00-03-04, JN00-03--02TR, JN00-03-03TR, JN00-03-04TR, JN02-03-12, JN02-03-13, JN02-03-14, JN02-03-22, JN02-03-23, JN02-03-24, JN02-03-32, JN02-03-33, JN02-03-34, JN02-03-21, JN02-03-22TR, JN02-03-22TRK, JN02-03-12TR, JN02-03-24TR, JN00-04-01, JN00-04-02, JN02-04-21, JN02-04-22, JN02-04-21TR, JN02-04-22TR, JN00-05-02, JN02-05-21, JN02-05-22, JN02-05-22TR, JN03-03-12, JN03-03-13, JN03-03-14, JN03-03-22, JN03-03-23, JN03-03-24, JN03-03-32, JN03-03-33, JN03-03-34, JN03-03-21, JN03-03-22TR, JN03-03-22TRK, JN03-03-12TR, JN03-03-24TR, JN03-04-21, JN03-04-22, JN03-04-21TR, JN03-04-22TR, JN03-05-22, JN03-05-22TR, JN03-05-21, JN02-03-22K, JN00-03-02K, JN00-03-012K, JN00-03-03K, JN00-03-011K, JN00-03-04K, JN00-03-08K, JN00-03-09K, JN00-03-06K, JN00-03-05K, JN02-08-112, JN02-07-112, JN02-09-112, JN02-09-212, JN02-08-111, JN02-08-114, JN02-08-113, JN02-12-112, JN06-08-112, JN06-07-112, JN06-09-112, JN06-08-111, JN03-08-214, JN02-08-214, JN03-08-212, JN02-08-212, JN04-11-112, JN03-11-112, JN02-11-112, JN04-11-212, JN03-11-212, JN02-11-212, JN04-10-112, JN03-10-112, JN02-10-112, JN04-10-212, JN03-10-212, JN02-10-212, JN04-11-213, JN03-11-213, JN02-11-213, JN04-11-214, JN03-11-214, JN02-11-214, JN06-08-212. |

## FCC Supplier's Declaration of Conformity (SDoC) Test Report

## LED strip

Test Model: FA-5050RGB

Applicant's name : shenzhen chengzhongxin industrial Co.,Ltd  
Address : Shenzhen bao'an district shiyan street tangkeng road gaoke  
: industrail park A building 4 floor

Name of testing laboratory : Shenzhen Southern LCS Compliance Testing Co., Ltd.  
preparing the report  
Address : 101-201, Building 39, Xialang Industrial Zone, Heshuikou  
Community, Matian Street, Guangming District, Shenzhen, China.

Tel : (+86)755-29871520  
Fax : (+86)755-29871521  
Web : www.LCS-cert.com  
Mail : webmaster@LCS-cert.com

Date of receipt of test sample : August 03, 2025  
Number of tested samples : 1  
Date of Test : August 03, 2025 - August 13, 2025  
Date of issue : August 13, 2025



---

Shenzhen Southern LCS Compliance Testing Co., Ltd.

101-201, Building 39, Xialang Industrial Zone, Heshuikou Community, Matian Street, Guangming District, Shenzhen, China.

Tel: +(86) 0755-82591330 | E-mail: webmaster@lcs-cert.com | Web: www.lcs-cert.com.

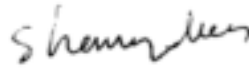

Scan code to check authenticity.



# TEST REPORT



(Supplier's Declaration of conformity)  
Under  
FCC Part15, Subpart B

Report Reference No.....: 4788902863  
Test Engineer (name + signature) ....: Jack Xie   
Reviewed by (name + signature).....: Shawn Wen   
Approved by (name + signature) .....: Stephen Guo   
Date of issue.....: April 17, 2019  
Testing Laboratory .....: Dong Guan Anci Electronic Technology Co., Ltd  
Address.....: 1-2 Floor, Building A, No.11, Headquarters 2 Road, Songshan Lake  
Hi-tech Industrial Development Zone, Dongguan City, Guangdong  
Pr., China.  
Applicant's name .....: Dong Guan City GangQi Electronic Co., Ltd  
Address.....: Privately Operated Industrial District, ShiYong, 532600 Heng Li  
Town, Dong Guan, Guangdong, People's Republic of China.  
Manufacturer.....: Dong Guan City GangQi Electronic Co., Ltd  
Address.....: Privately Operated Industrial District, ShiYong, 532600 Heng Li  
Town, Dong Guan, Guangdong, People's Republic of China.  
Test specification:  
EUT description .....: SWITCHING ADAPTER  
Trade Mark.....:   
Model/Type reference .....: GQ12-xxxxyy-CUz ('xxx', 'yyy', and 'z' are variables, xxx=090-120,  
yyy=001-100, z=0-9 or A-Z or blank; See the model list for details)  
Ratings.....: Input: 100-240V~ 50/60Hz 0.4A Max.  
Output: 9.0-12.0V= 0.01-1.0A

# CERTIFICATE OF COMPLIANCE

**Certificate Number** 20190415-E336751  
**Report Reference** E336751-A8-UL  
**Issue Date** 2019-APRIL-15

**Issued to:** DONGGUAN GANGQI ELECTRONIC CO LTD  
PRIVATELY OPERATED INDUSTRIAL DIST  
SHIYONG, HENGLI TOWN  
DONGGUAN, GUANGDONG 523465 CHINA

**This certificate confirms that  
representative samples of**

POWER SUPPLIES, INFORMATION TECHNOLOGY  
EQUIPMENT INCLUDING ELECTRICAL BUSINESS  
EQUIPMENT

SWITCHING ADAPTER - GQ12-xxxxyy-CUz ('xxx', 'yyy'  
and 'z' are variables

Have been investigated by UL in accordance with the  
Standard(s) indicated on this Certificate.

**Standard(s) for Safety:**

UL 60950-1, Information Technology Equipment - Safety -  
Part 1: General Requirements  
CAN/CSA C22.2 No. 60950-1-07, Information Technology  
Equipment - Safety - Part 1: General Requirements

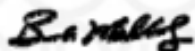
**Additional Information:**

See the UL Online Certifications Directory at  
<https://iq.ulprospector.com> for additional information.

This *Certificate of Compliance* does not provide authorization to apply the UL Mark. Only the UL Follow-Up Services Procedure provides authorization to apply the UL Mark.

Only those products bearing the UL Mark should be considered as being UL Certified and covered under UL's Follow-Up Services.

Look for the UL Certification Mark on the product.



Bruce Mahonholz, Director North American Certification Program  
UL LLC

Any information and documentation involving UL Mark services are provided on behalf of UL LLC (UL) or any authorized licensee of UL. For questions, please contact a local UL Customer Service Representative at <http://ul.com/contactus/>

