

ASSEMBLY INSTRUCTIONS



Fine Furniture for every stage of life



ASSEMBLY INSTRUCTIONS

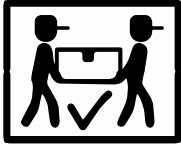
ASSEMBLY TIPS:

1. Remove hardware from box and sort by size.
2. Please check to see that all hardware and parts are present prior to start of assembly.
3. Please follow attached instructions in the same sequence as numbered to assure fast & easy assembly.



WARNING!






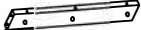






1. Don't attempt to repair or modify parts that are broken or defective. Please contact the store immediately.
2. This product is for home use only and not intended for commercial establishments.






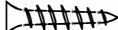




ASSEMBLY TIME

50 MINUTES

PARTS IDENTIFICATION

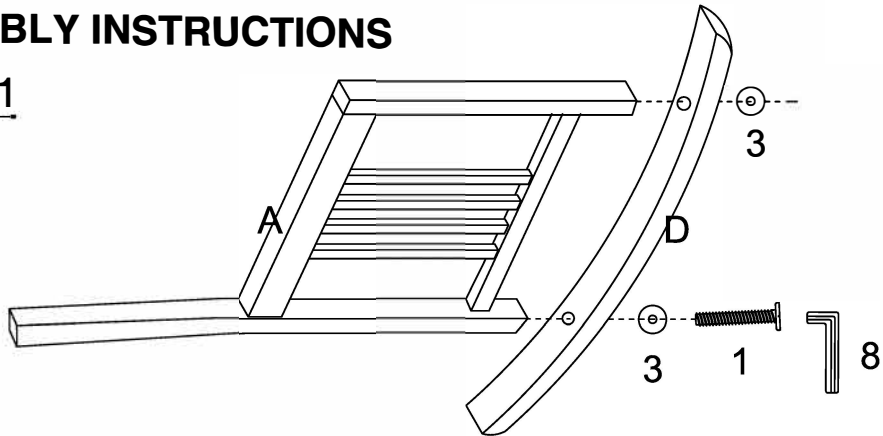
AL	LEFT SIDE PANEL		1PC	H	SEAT CUSHION		1PC
AR	RIGHT SIDE PANEL		1PC	I	EAR		2PCS
B	BACK CUSHION		1PC	J	FRONT STRETCHER TOP		1PC
CL	LEFT ARM		1PC	K	FRONT STRETCHER BOTTOM		1PC
CR	RIGHT ARM		1PC	L	REAR STRETCHER TOP		1PC
D	ROCKER		2PCS	M	REAR STRETCHER BOTTOM		1PC

HARDWARE IDENTIFICATION

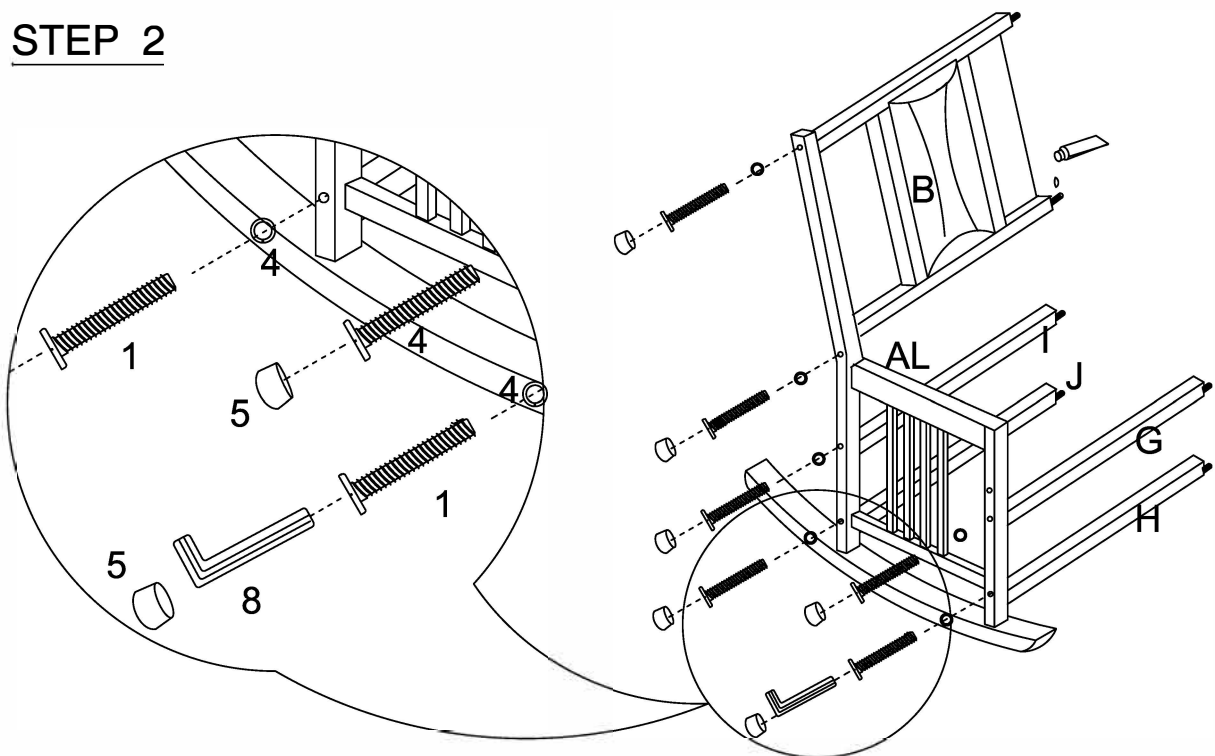
1	BOLT (1/4" x 1-3/4")		22PCS	5	WOODEN CAP (Ø13 x 5mm)		14PCS
2	BOLT (1/4" x 1")		2PCS	6	SCREW (8 x 1-1/4")		4PCS
3	FLAT WASHER (1/4" x 16mm)		4PCS	7	GLUE (8mm)		1PC
4	LOCK WASHER (1/4")		20PCS	8	ALLEN WRENCH (4mm)		1PC

ASSEMBLY INSTRUCTIONS

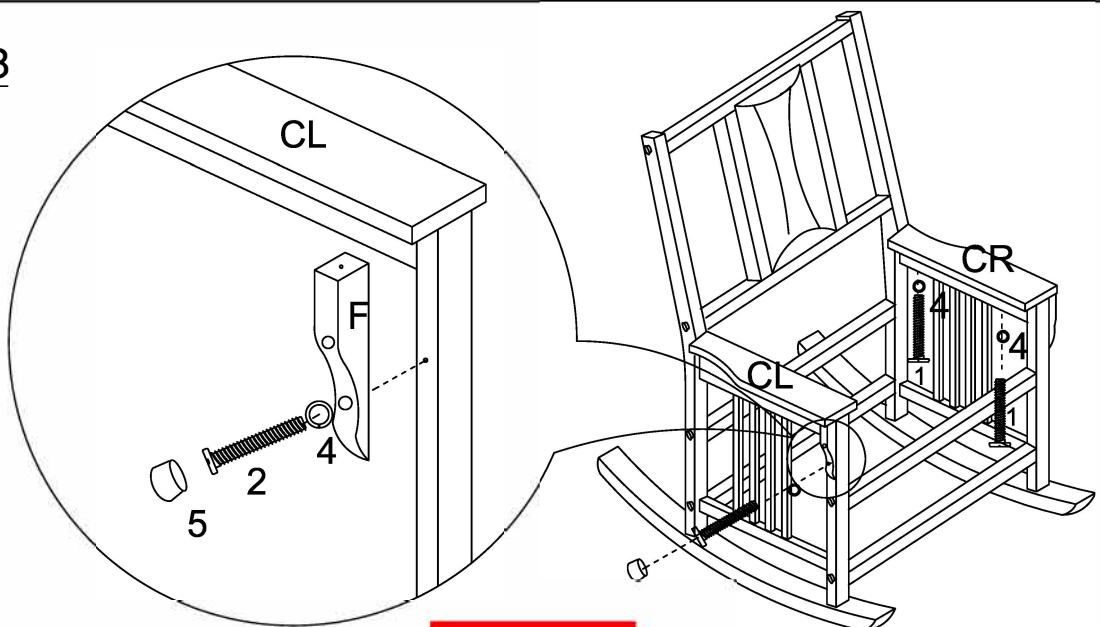
STEP 1



STEP 2

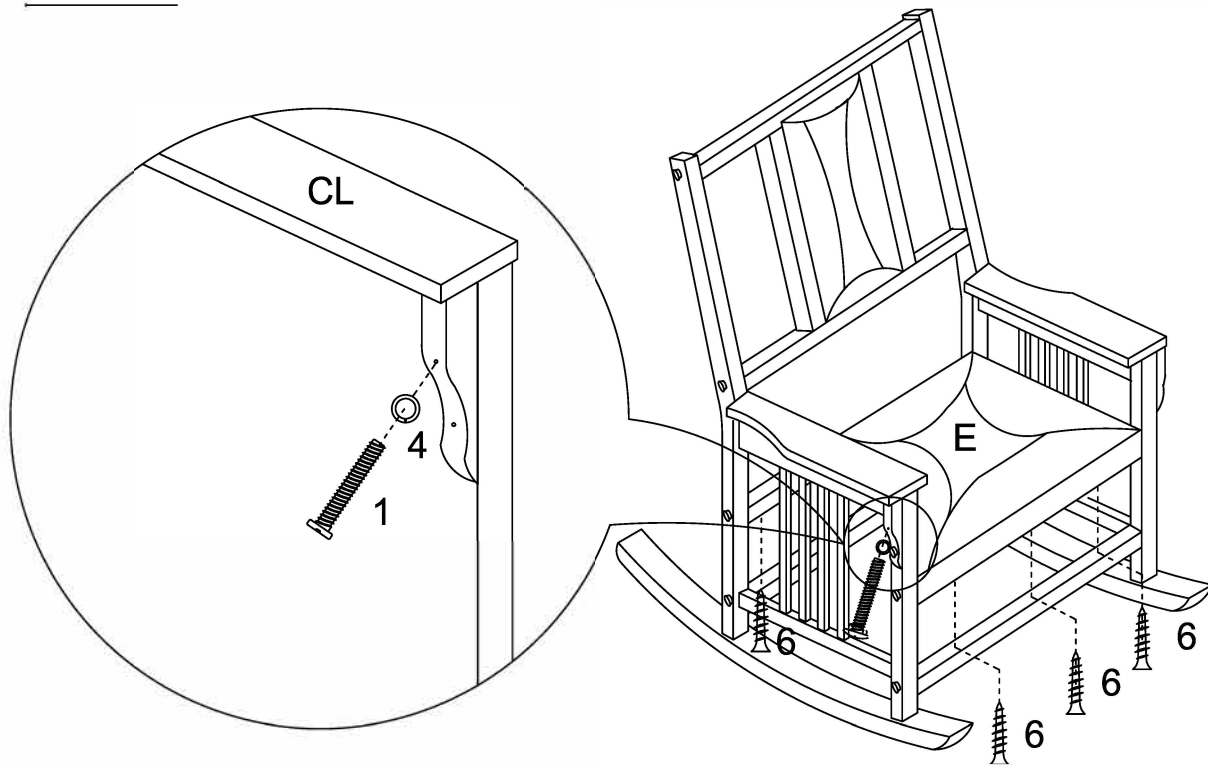


STEP 3

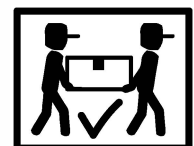
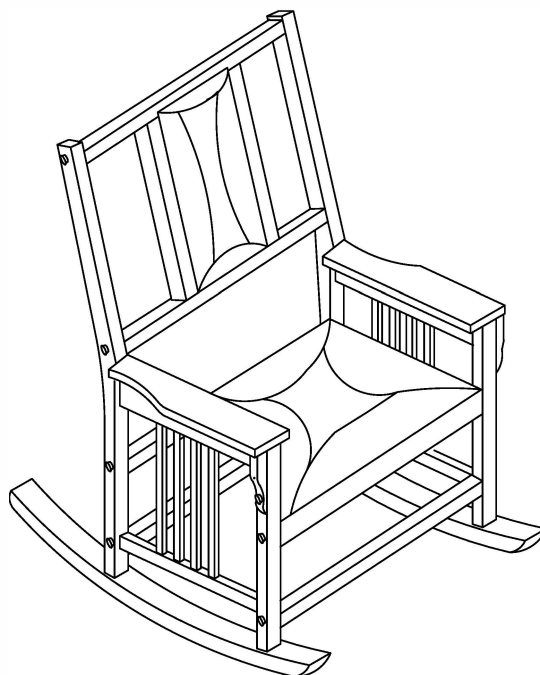


ASSEMBLY INSTRUCTIONS

STEP 4



STEP 5 COMPLETE



ASSEMBLY INSTRUCTIONS

