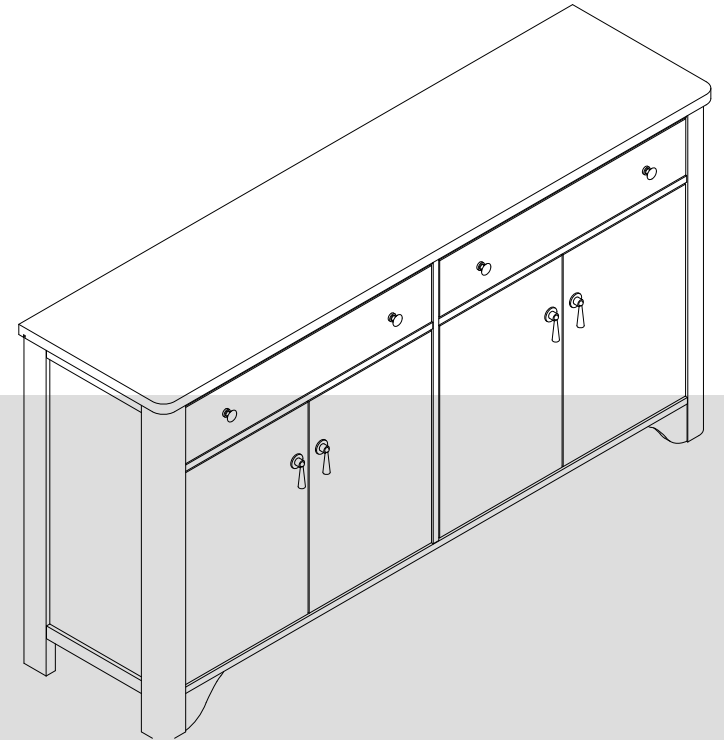
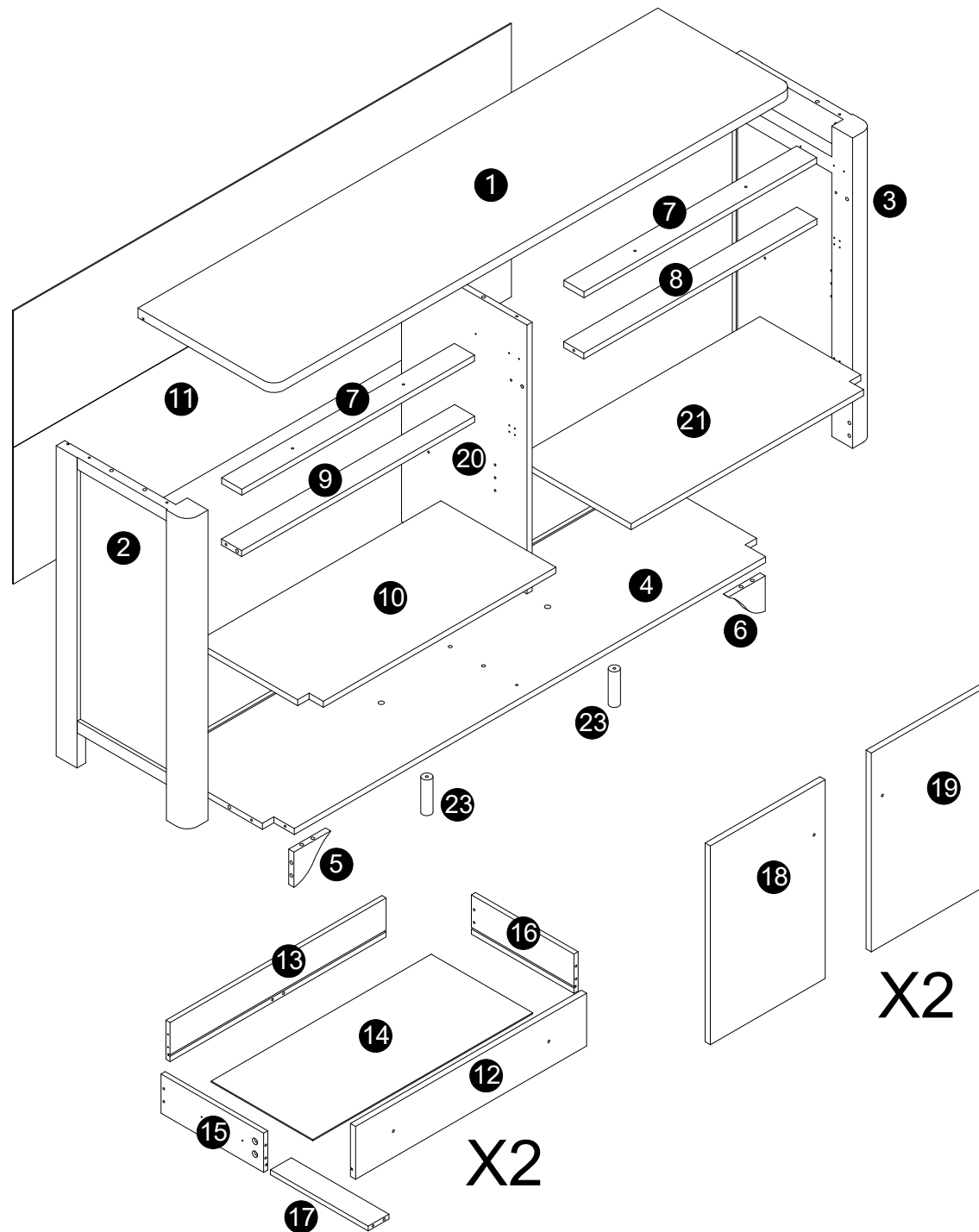


# Assembly Instructions



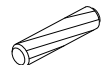



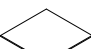


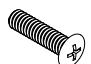

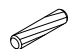
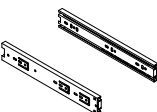


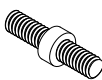

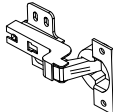

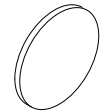



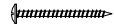

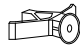




IMPORTANT : Please read this manual carefully before beginning assembly of this product.Keep this manual for future reference.

WHAT'S  
IN THE BOX

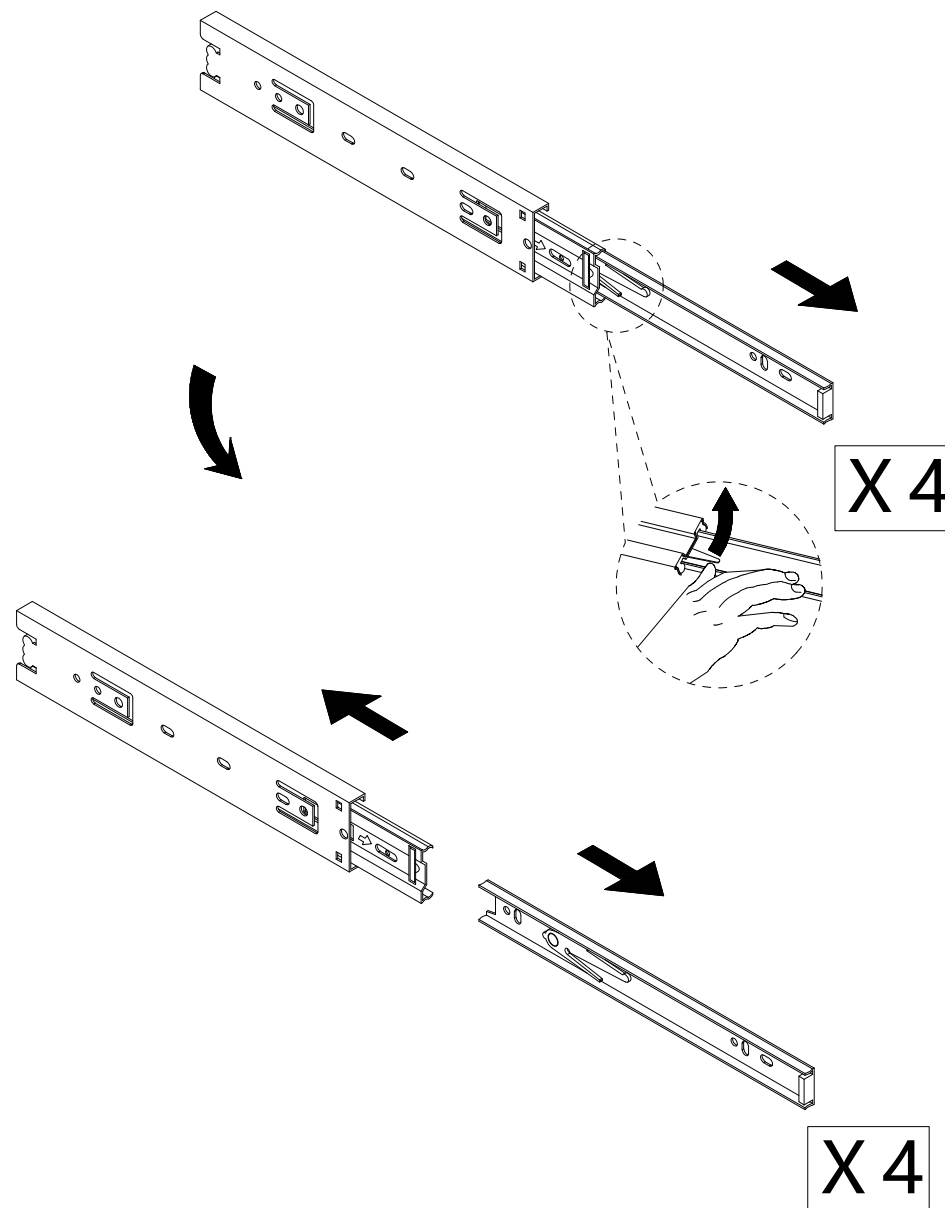


WHAT'S  
IN THE BOX

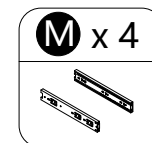
<p><b>A</b> x 30</p>  <p>Cam bolt Ø6x24mm</p>	<p><b>B</b> x 30</p>  <p>Cam lock Ø15x9.5mm</p>	<p><b>C</b> x 23</p>  <p>Wooden dowel Ø8x30mm</p>	<p><b>D</b> x 24</p>  <p>Screw Ø3.5X12mm</p>	<p><b>E</b> x 16</p>  <p>Screw Ø4x30mm</p>
<p><b>F</b> x 2</p> 	<p><b>G</b> x 2</p> 	<p><b>H</b> x 4</p> 	<p><b>I</b> x 4</p> 	<p><b>J</b> x 8</p>  <p>bolt M4x20mm</p>
<p><b>K</b> x 8</p>  <p>Shelf support pin</p>	<p><b>L</b> x 4</p>  <p>Wooden dowel Ø6x30mm</p>	<p><b>M</b> x 4</p> 	<p><b>N</b> x 10</p>  <p>Screw Ø3x16mm</p>	<p><b>P</b> x 10</p> 
<p><b>Q</b> x 2</p> 	<p><b>R</b> x 2</p>  <p>Screw Ø4x40mm</p>	<p><b>S</b> x 8</p> 	<p><b>T</b> x 48</p>  <p>Screw Ø4x12mm</p>	<p><b>U</b> x 2</p> 
<p><b>V</b> x 4</p>  <p>Crash pad</p>	<p><b>O</b> x 2</p>  <p><b>a</b></p>  <p><b>b</b></p>  <p><b>c</b></p>  <p><b>d</b></p>  <p><b>e</b></p> <p>Tipping restraint hardware kit (inside plastic bag)</p>		  <p>Tools Required (Not included)</p>	

# INSTALLATION STEPS

# 1

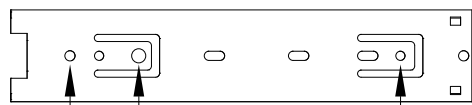


- Slides must be separated before assembly.
- Set aside after separating slides until required for assembly
- Push lever up, then remove runner.

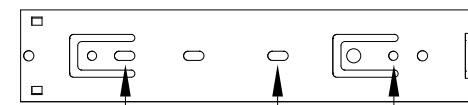


# 2

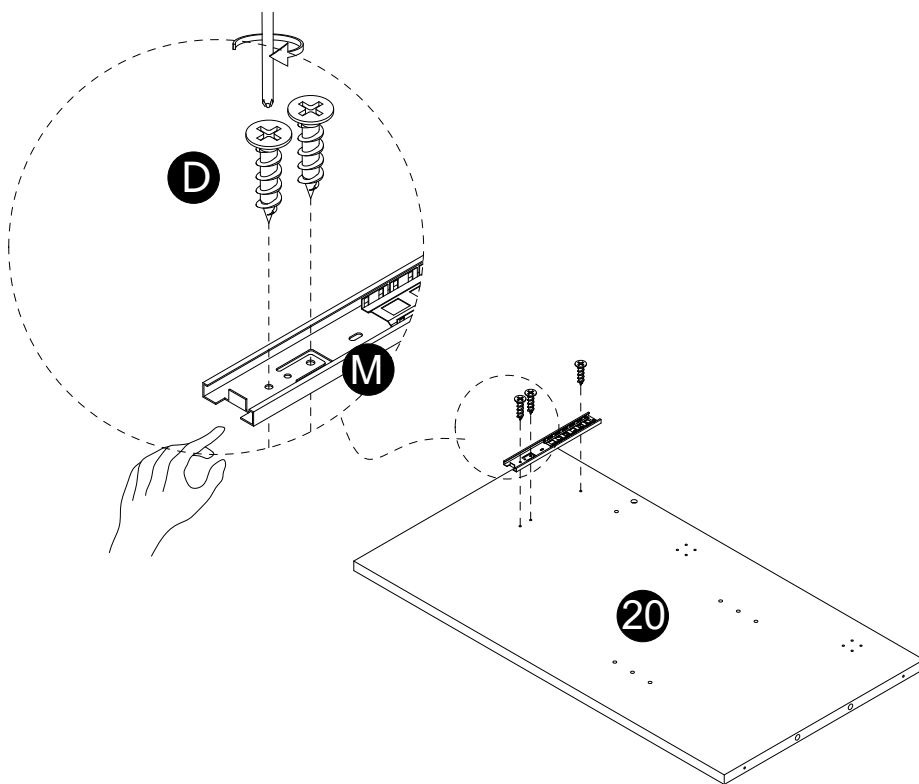
## INSTALLATION STEPS



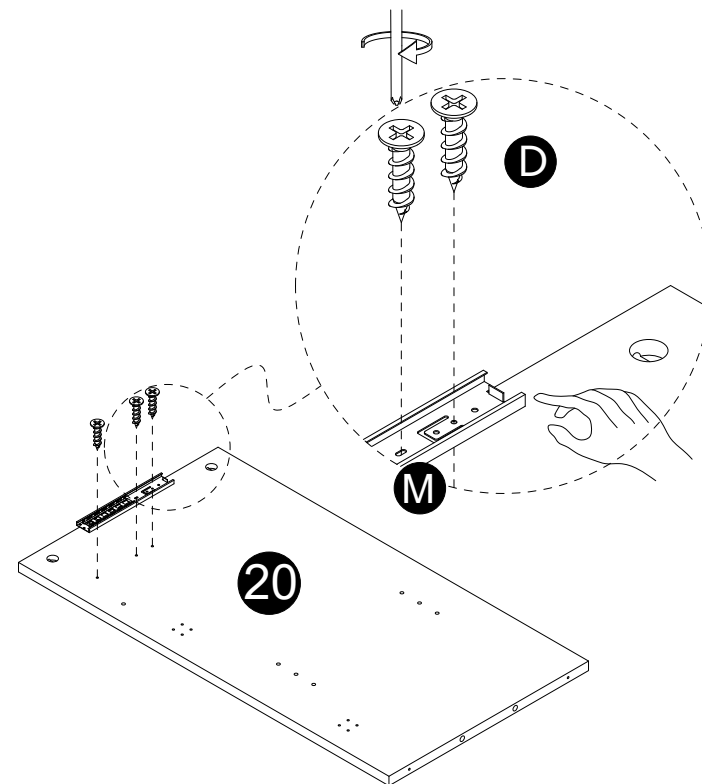
Mounting Holes





Mounting Holes



180°

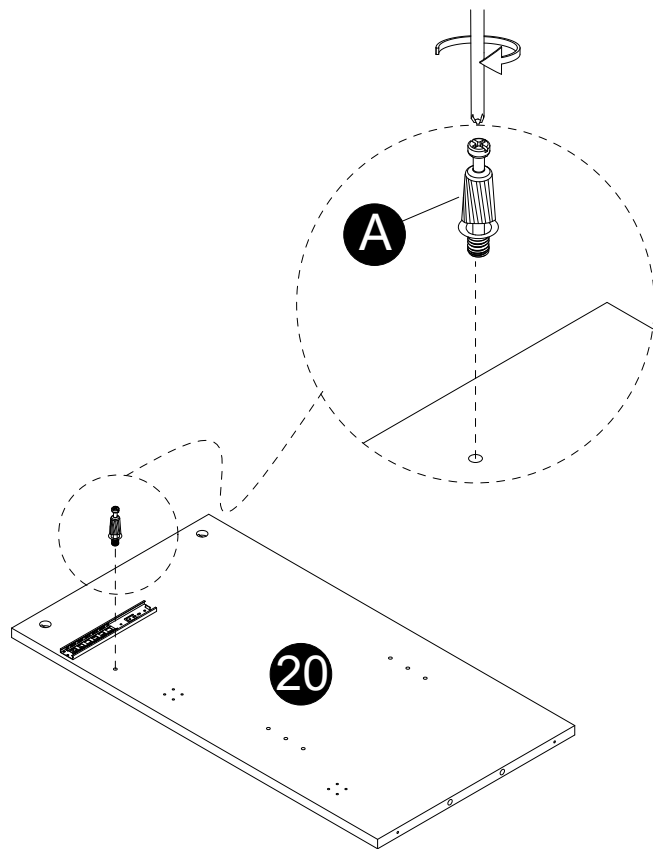
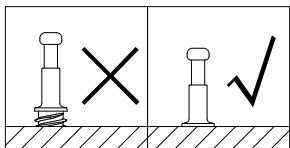


· Attach parts (M) to panel (20) using screws (D) correctly.

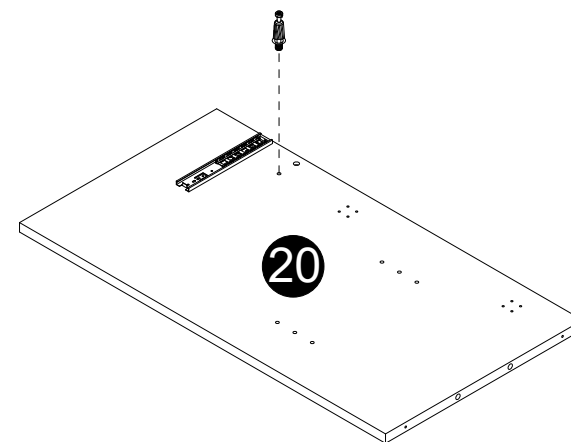
<b>D</b> x 6	<b>M</b> x 2
	

# 3

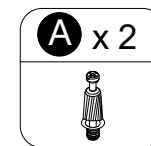
## INSTALLATION STEPS



180°

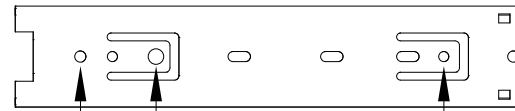


· Screw cam bolts (A) into panel (20).

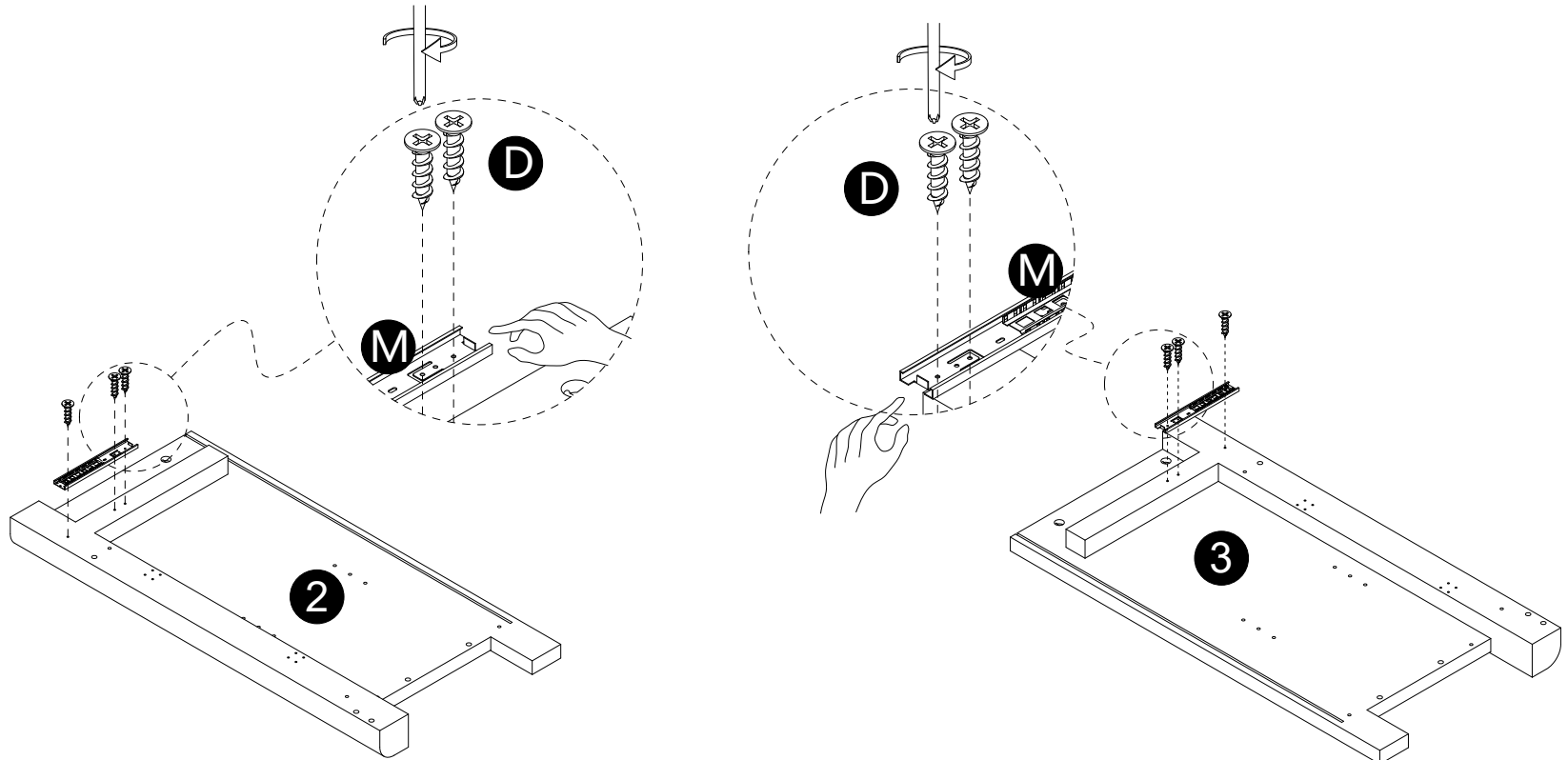


# 4

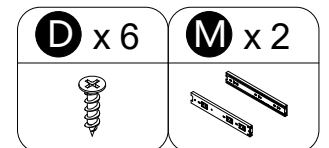
## INSTALLATION STEPS



Mounting Holes

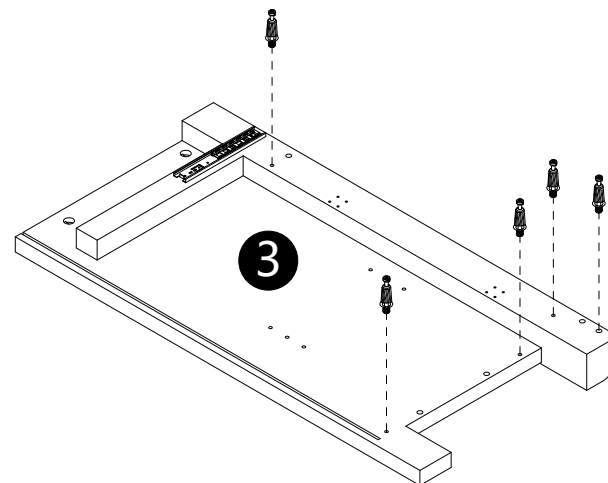
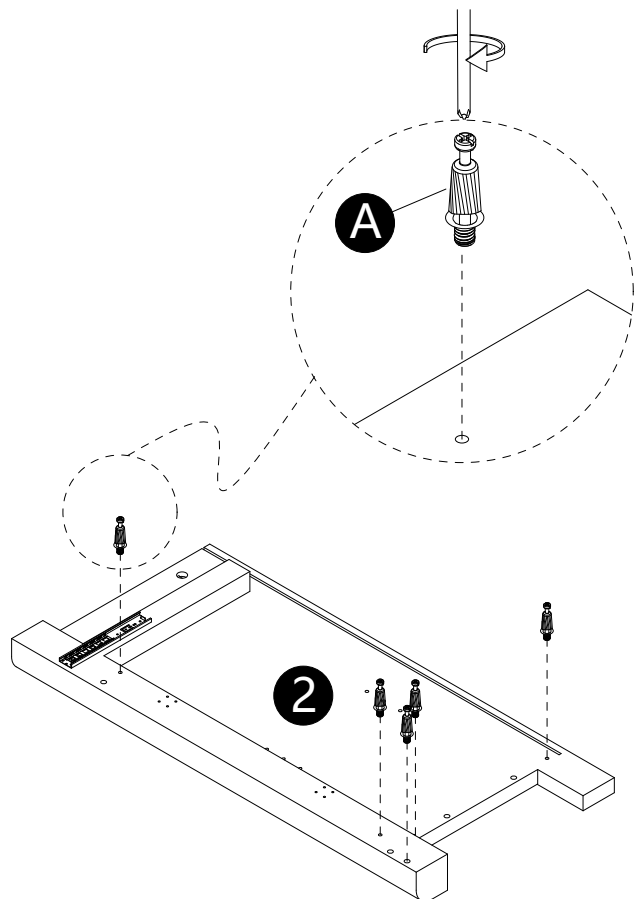
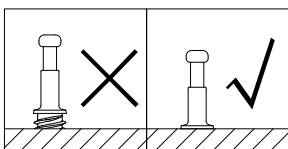


· Attach parts (M) to panels (2,3) using screws (D) correctly.

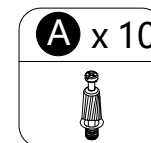


# 5

## INSTALLATION STEPS

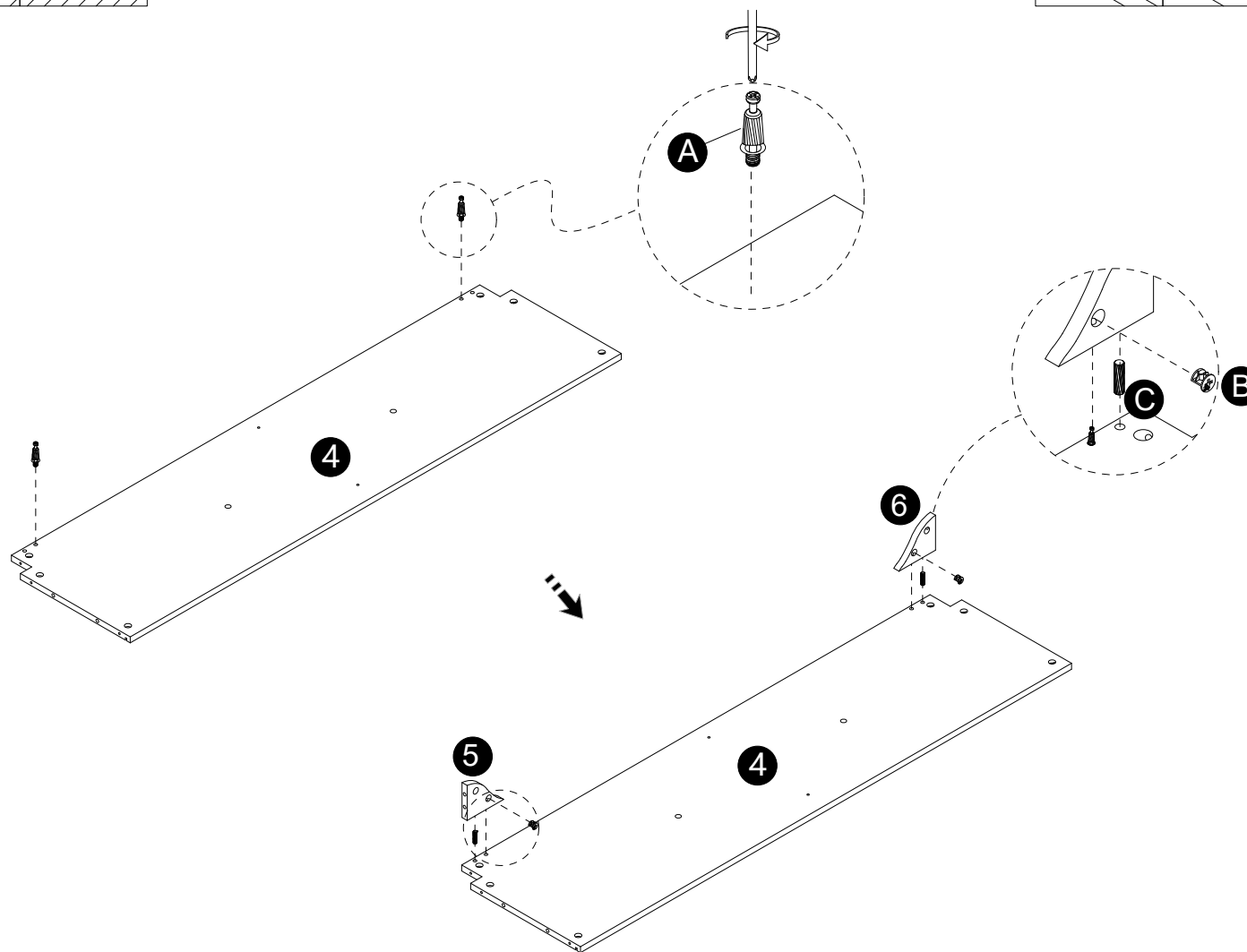
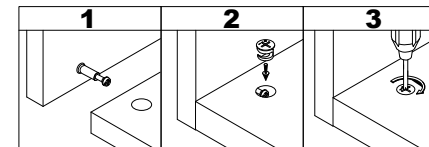
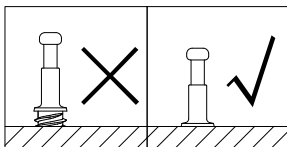


· Screw cam bolts (A) into panels (2,3).

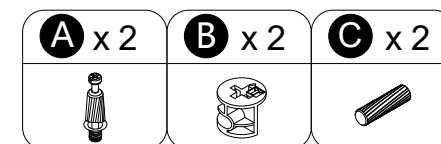


# 6

## INSTALLATION STEPS

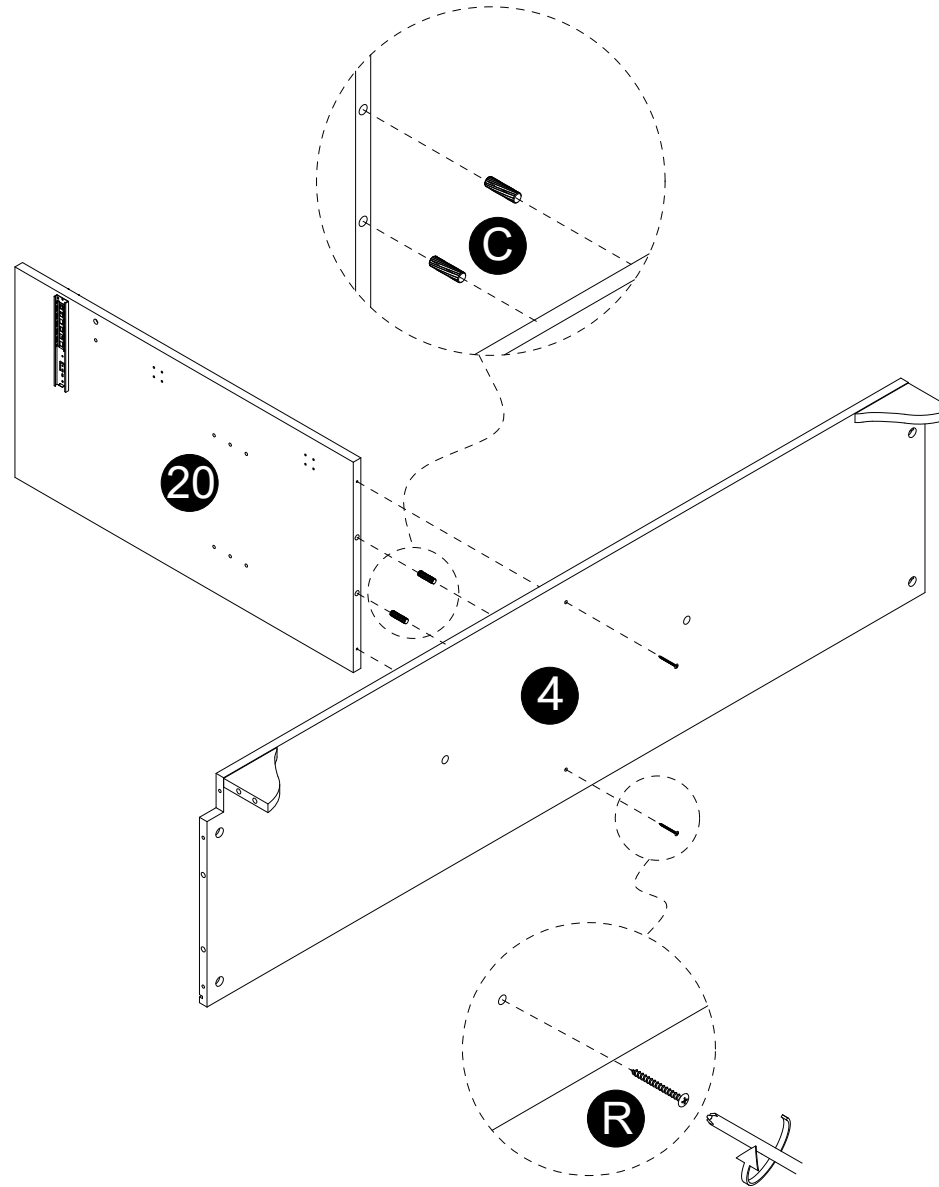
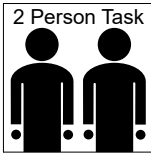


- Screw cam bolts (A) into panel (4).
- Insert dowels (C) into panel (4).
- Attach panels (5,6) to panel (4).
- Insert and secure cam locks (B) to panels (5,6) to lock it.

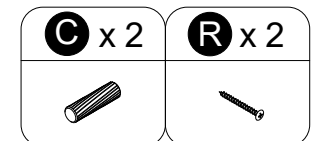


# 7

## INSTALLATION STEPS

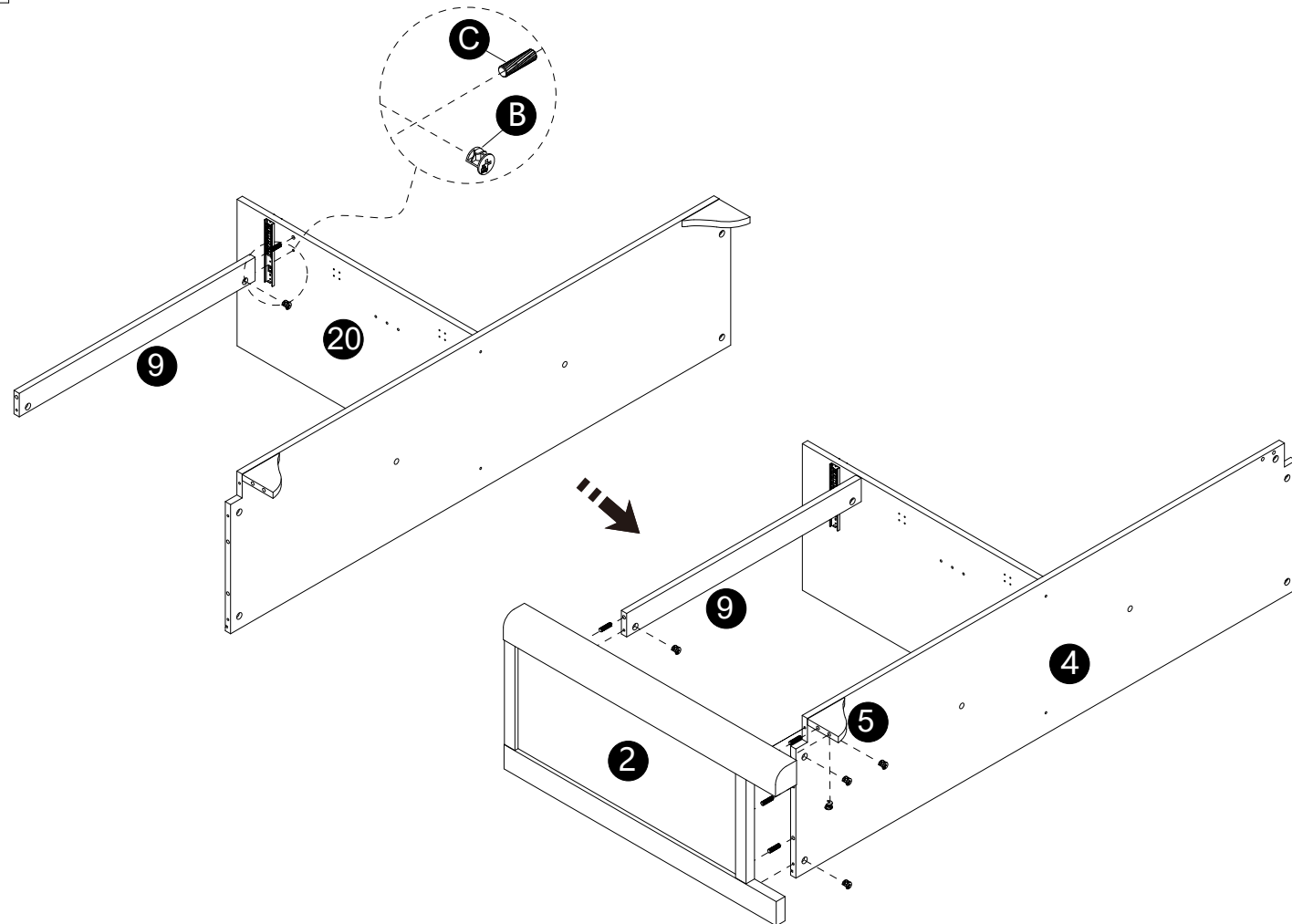
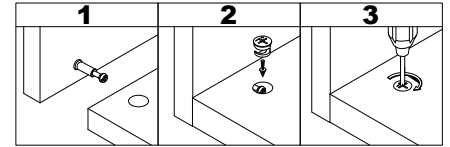


- Insert dowels (C) into panel (20).
- Attach part (4) to panel (20) with screws (R).

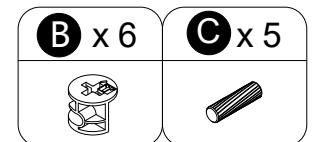


# 8

## INSTALLATION STEPS

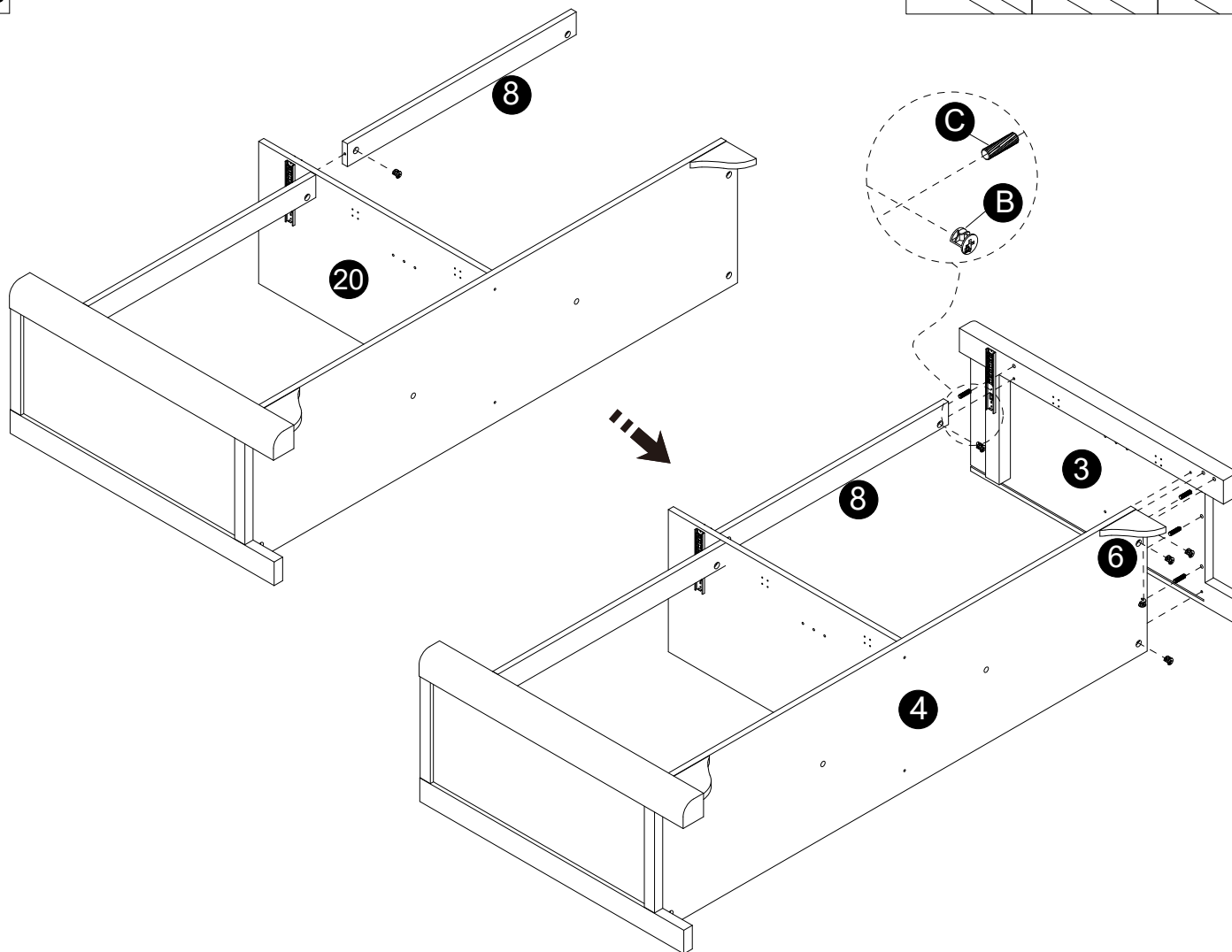
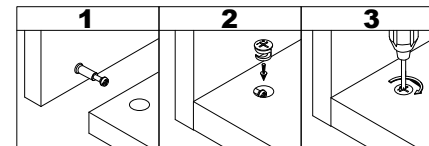


- Insert dowel (C) into panel (9).
- Attach panel (9) to panel (20).
- Insert and secure cam lock (B) to panel (9) to lock it.
- Insert dowels (C) into panels (4,5,9).
- Attach panel (2) to panels (4,5,9).
- Insert and secure cam locks (B) to panels (4,5,9) to lock it.

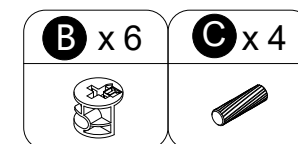


# 9

## INSTALLATION STEPS

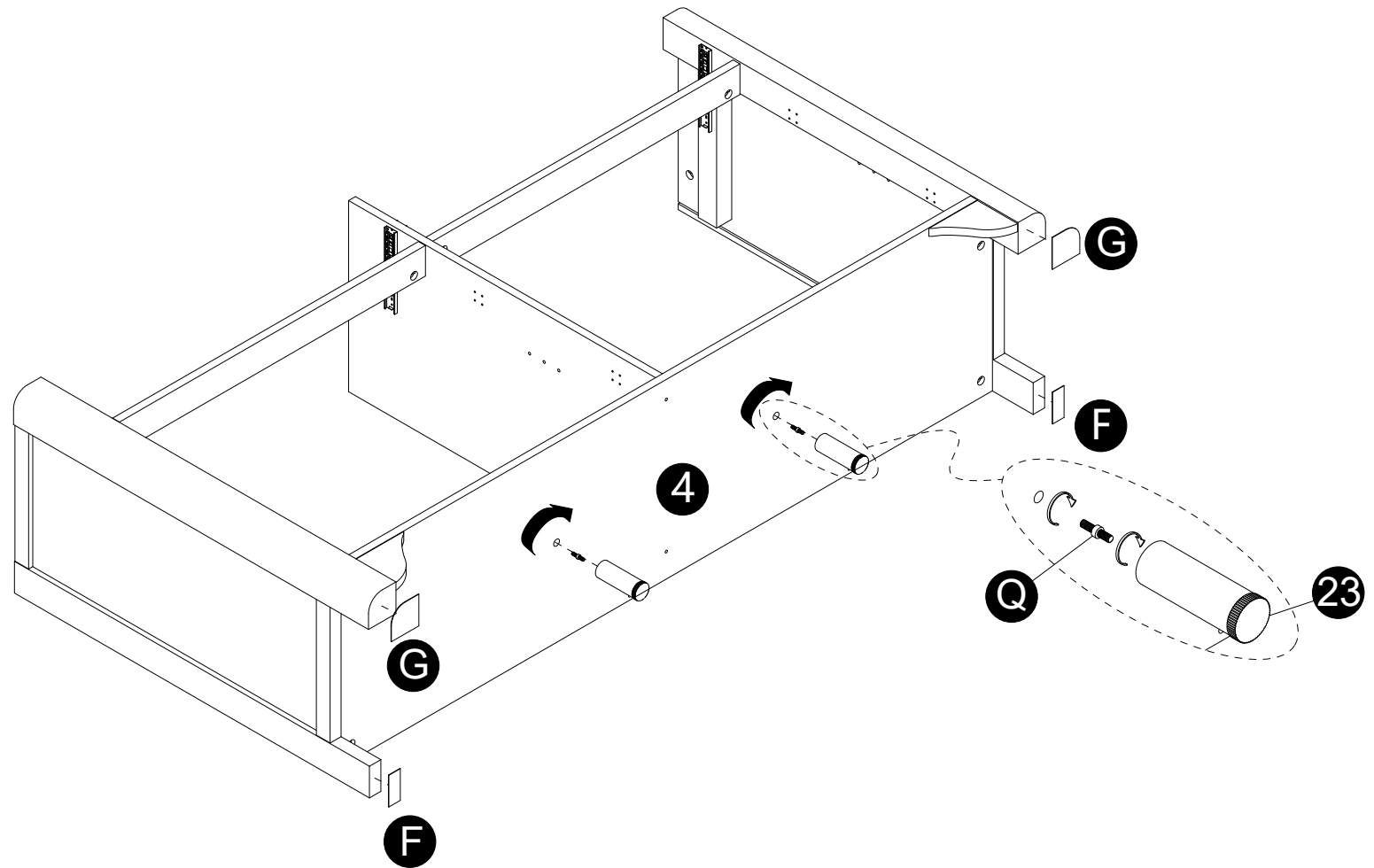


- Attach panel (8) to panel (20).
- Insert and secure cam lock (B) to panels (8) to lock it.
- Insert dowels (C) into panels (4,6,8).
- Attach part (3) to panels (4,6,8).
- Insert and secure cam locks (B) to panels (4,6,8) to lock it.

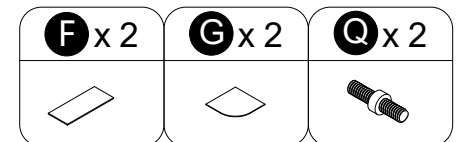


# 10

## INSTALLATION STEPS

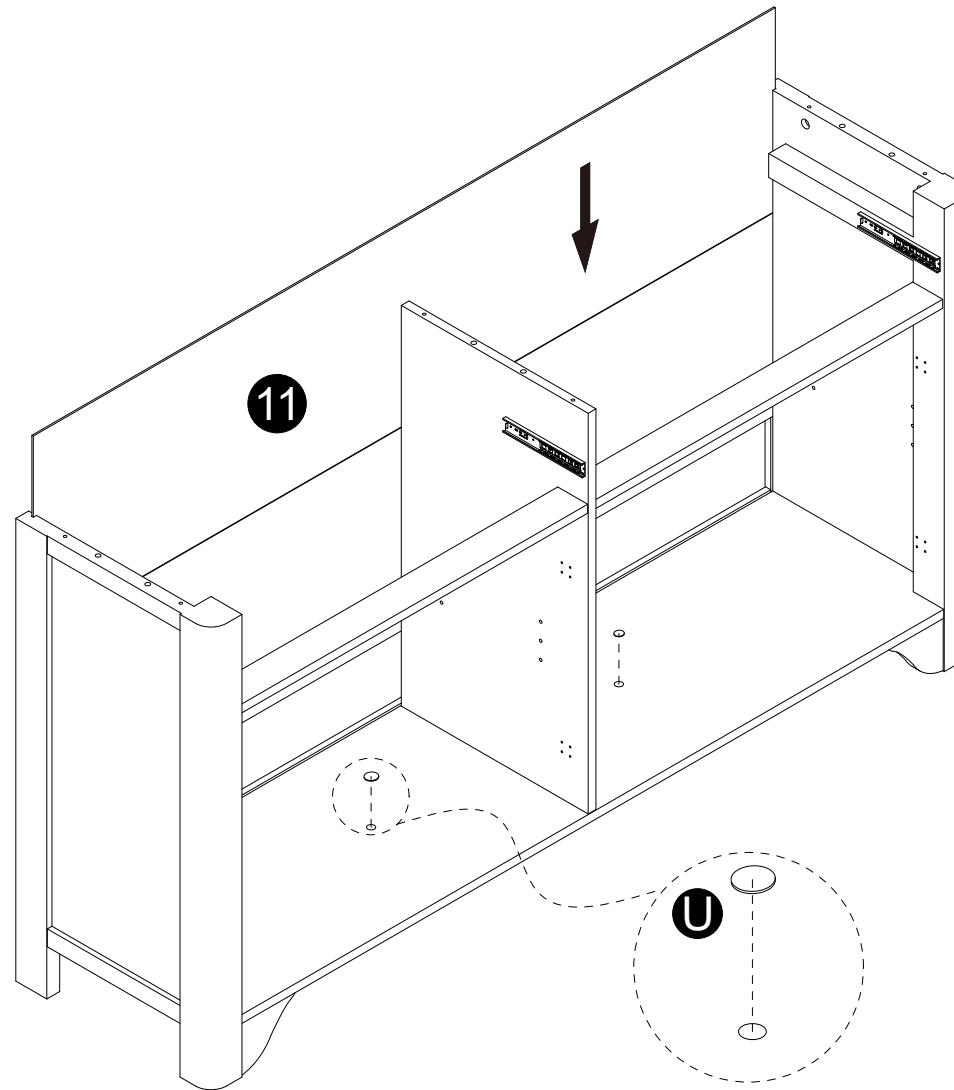


- Stick the skid pads (F,G) on the bottom of the legs.
- Attach legs (23) to panel (4) with parts (Q)

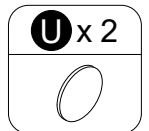


# 11

## INSTALLATION STEPS

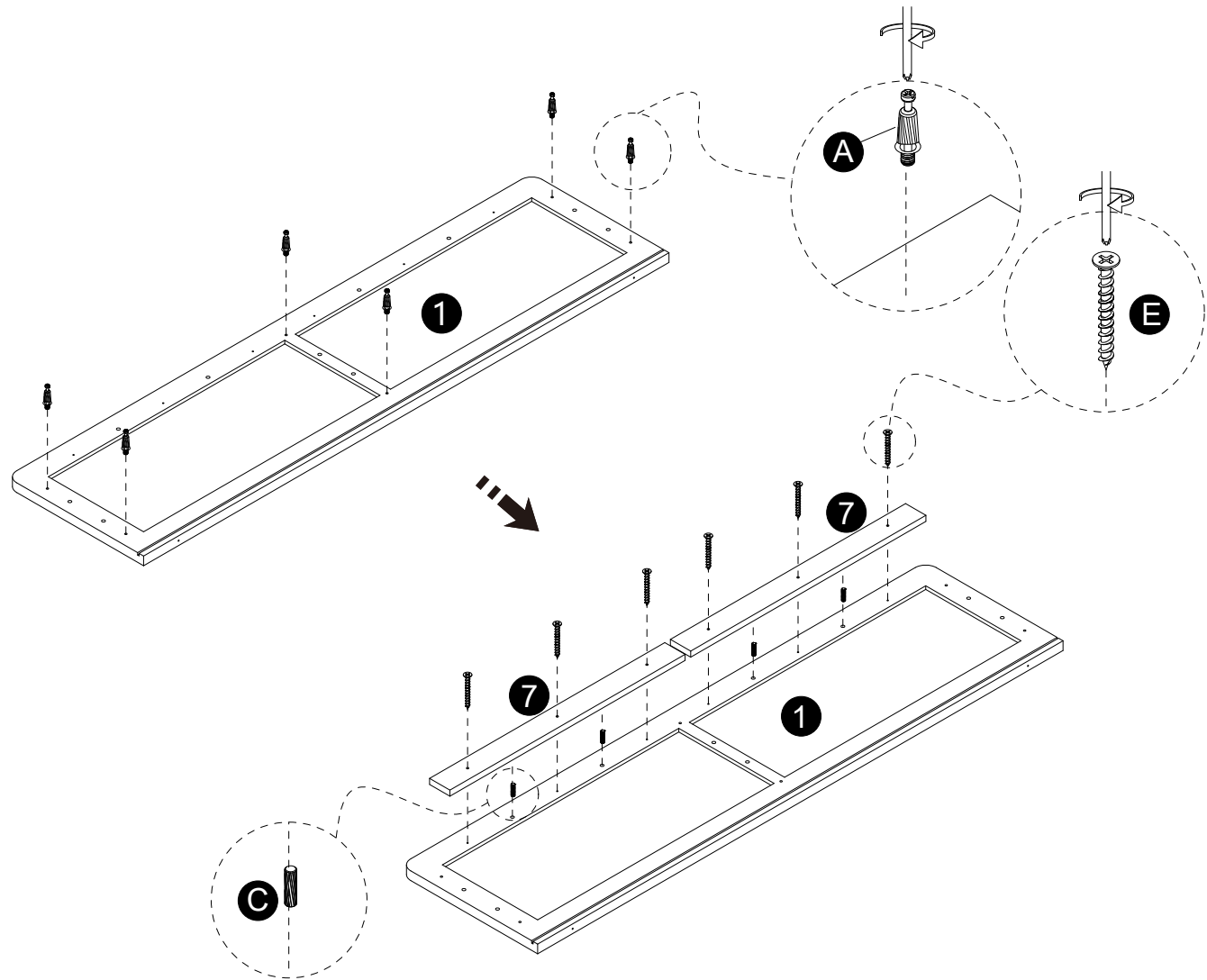
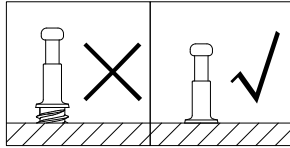


- Carefully slide panel (11) into place along the back of the assembly.
- Stick stickers (U) on holes.

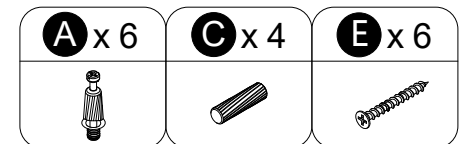


# 12

## INSTALLATION STEPS

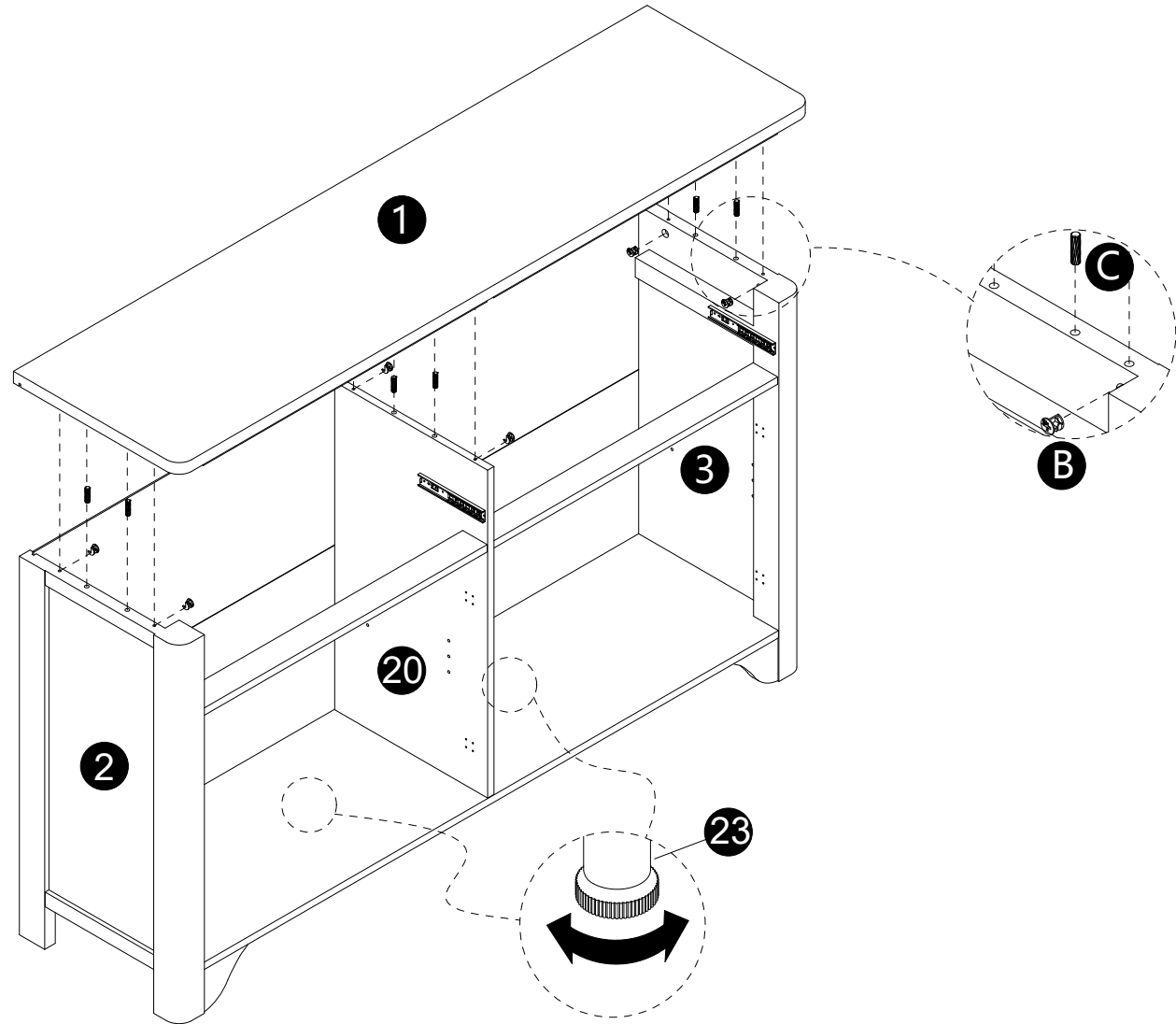
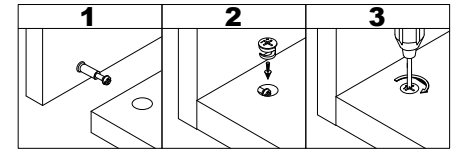


- Screw cam bolts (A) into panel (1).
- Insert dowels (C) into panel (1).
- Attach panels (7) to panel (1) with screws (E).

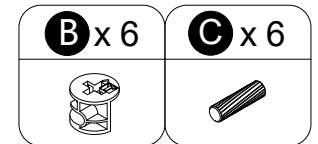


# 13

## INSTALLATION STEPS

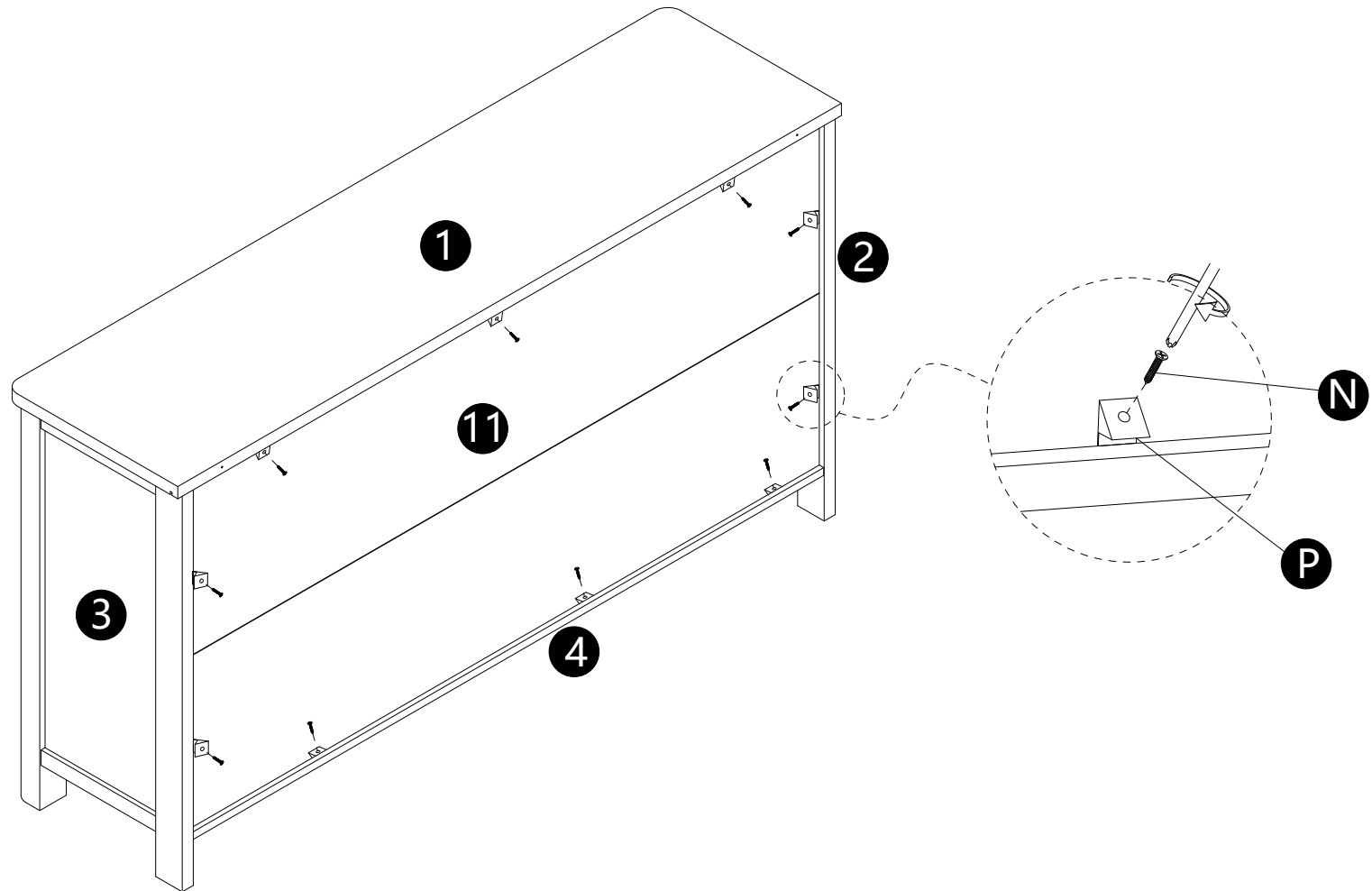


- Insert dowels (C) into panels (2,3,20).
- Attach part (1) to panels (2,3,20).
- Insert and secure cam locks(B) to panels (2,3,20) to lock it.
- Adjust parts (23) to level the unit.

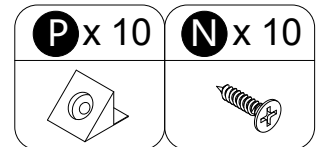


# 14

## INSTALLATION STEPS

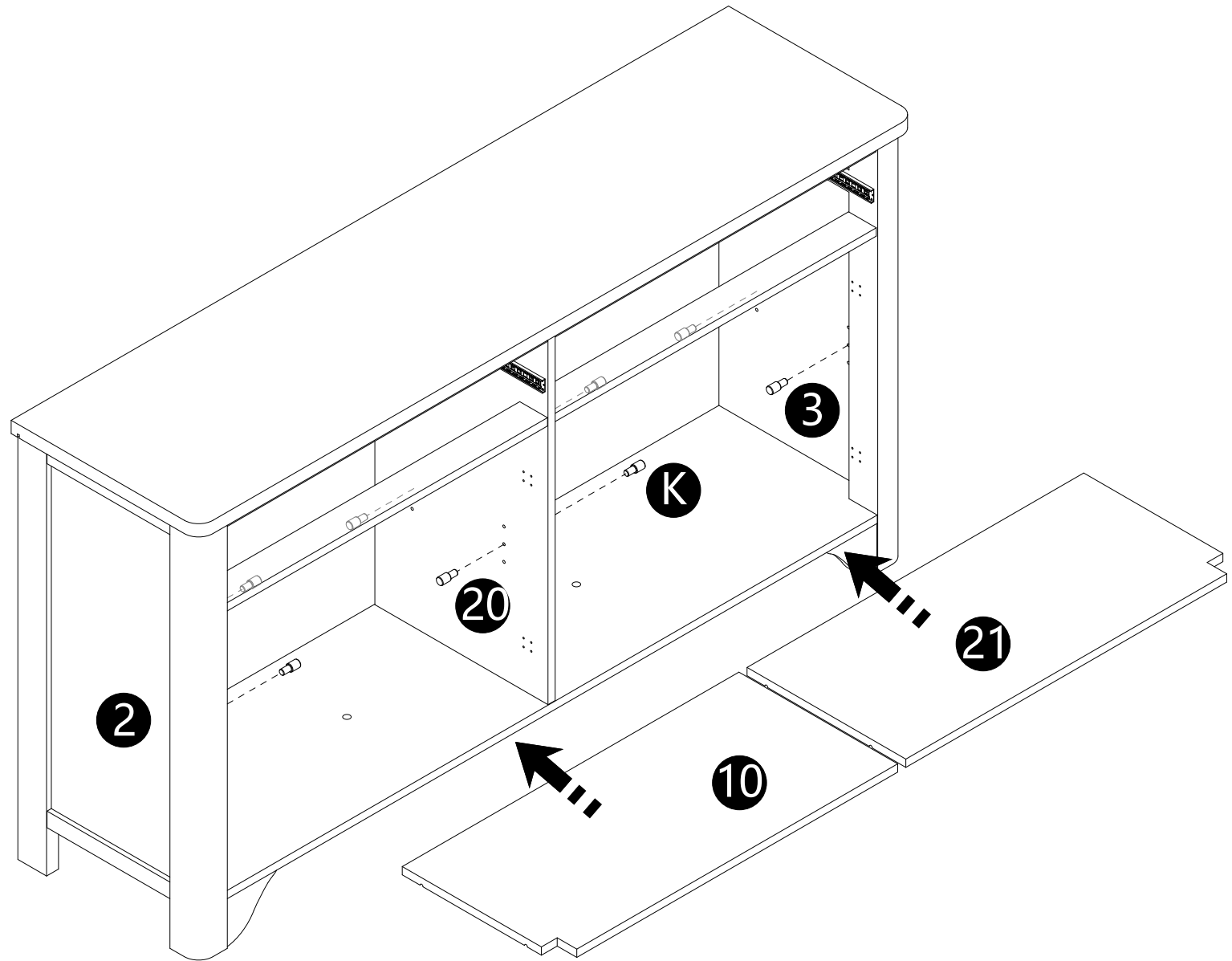


· Secure parts (P) to panels (1,2,3,4) using screws (N).

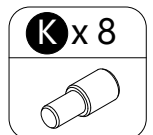


# 15

## INSTALLATION STEPS

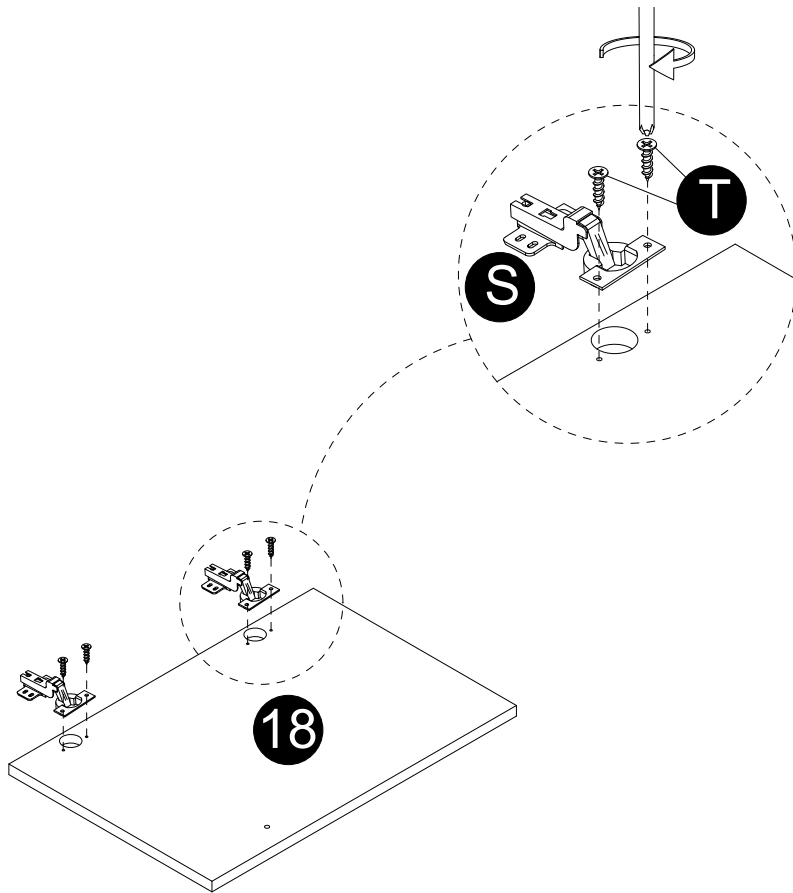


· Attach panels (10,21) to panels (2,3,20) with shelf support pin (K).

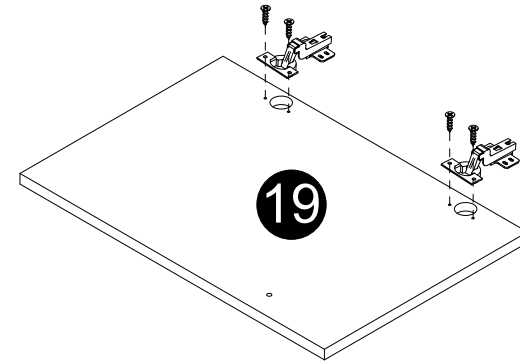


# 16

## INSTALLATION STEPS

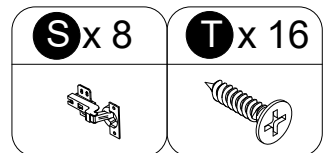


x 2



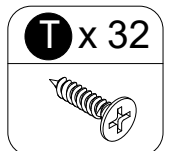
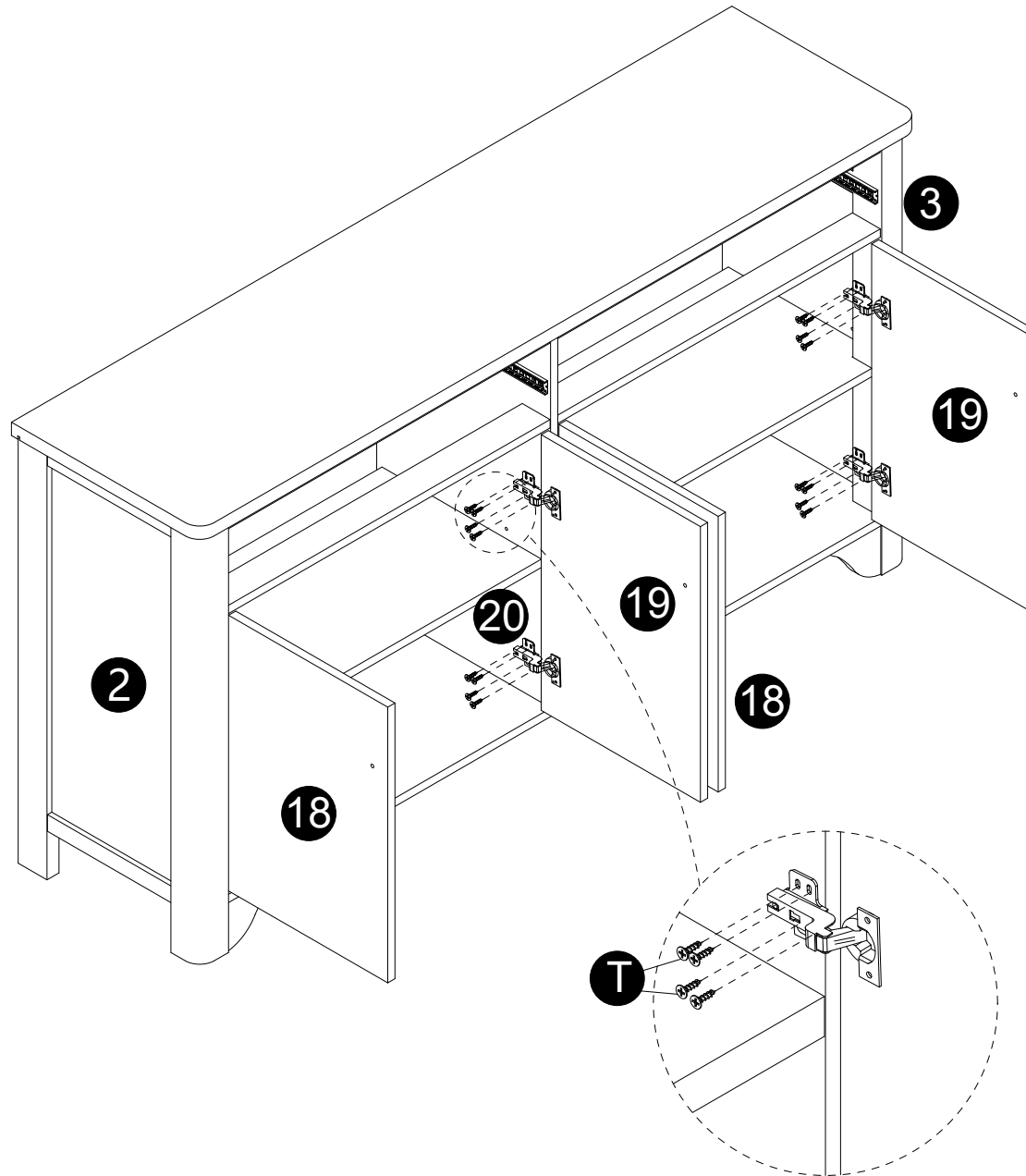
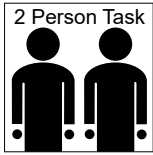
x 2

· Attach parts (S) to panels (18,19) with screws (T) correctly.



# 17

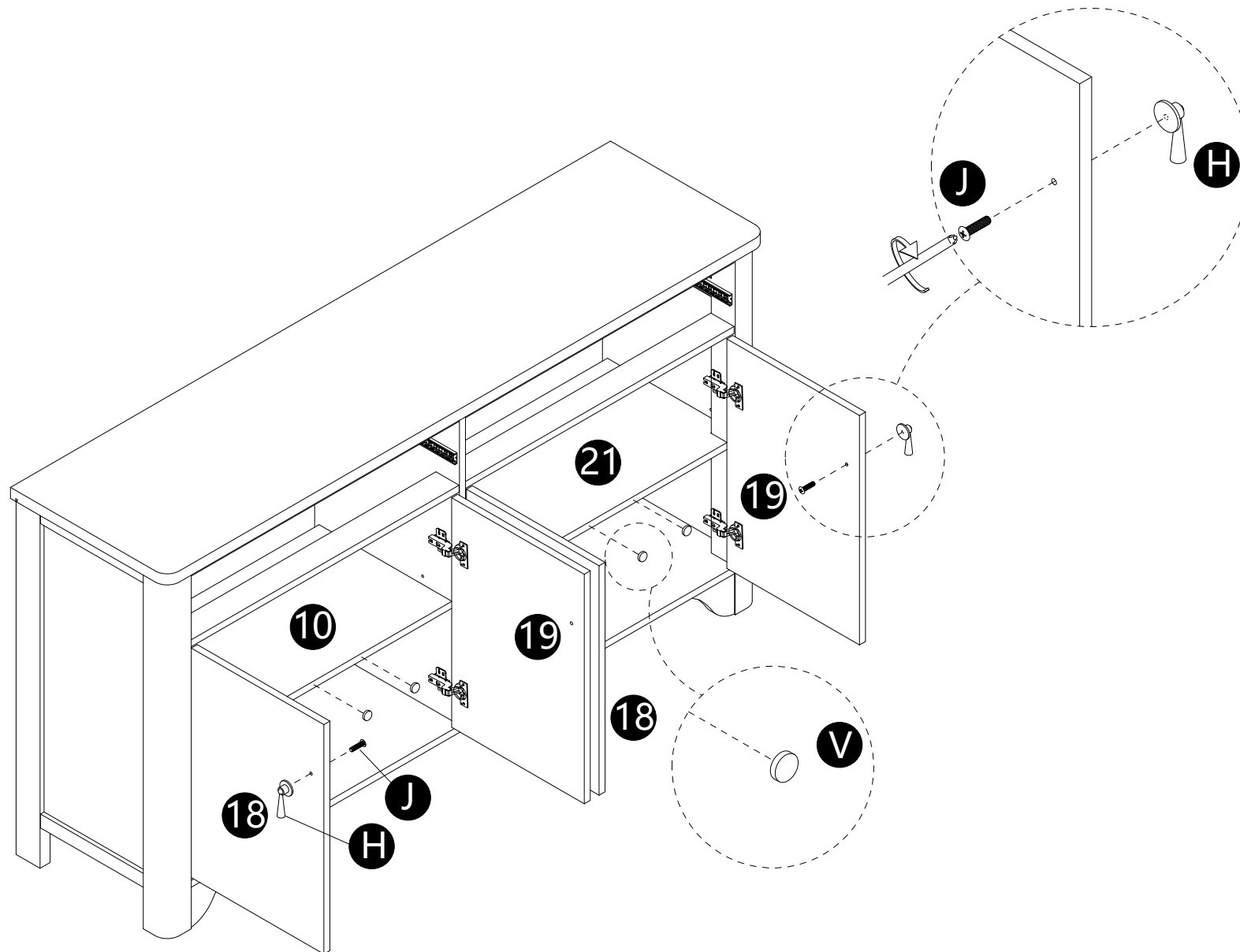
## INSTALLATION STEPS



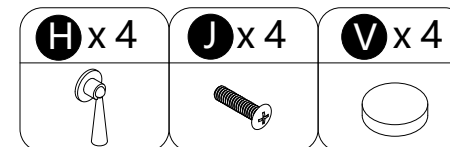
· Attach handles (18,19) to panels (2,3,20) with screws (T) correctly.

# 18

## INSTALLATION STEPS



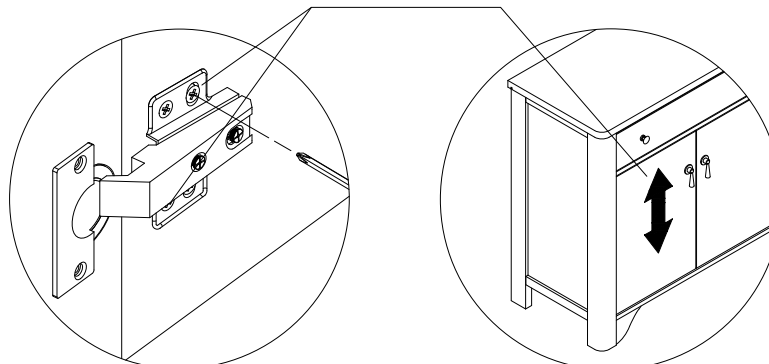
- Attach handles (H) to panels (18,19) with bolts (J) correctly.
- Stick parts (V) on panels (10,21) correctly.



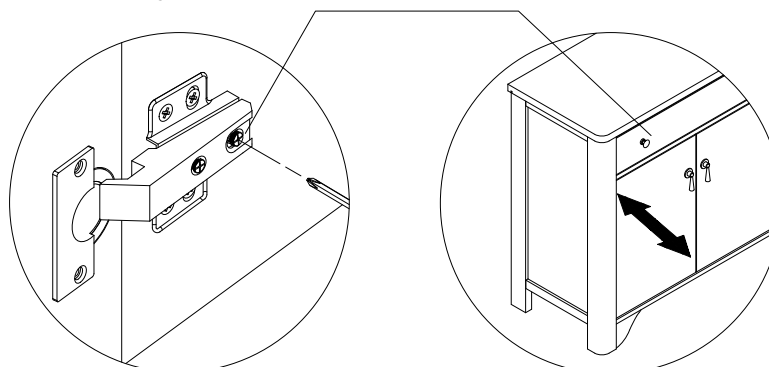
# 19

## INSTALLATION STEPS

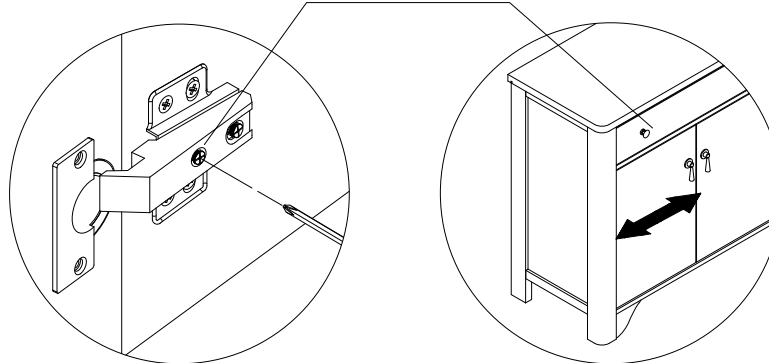
Adjust Height / 高さを調節



Adjust front and back / 前後を調節

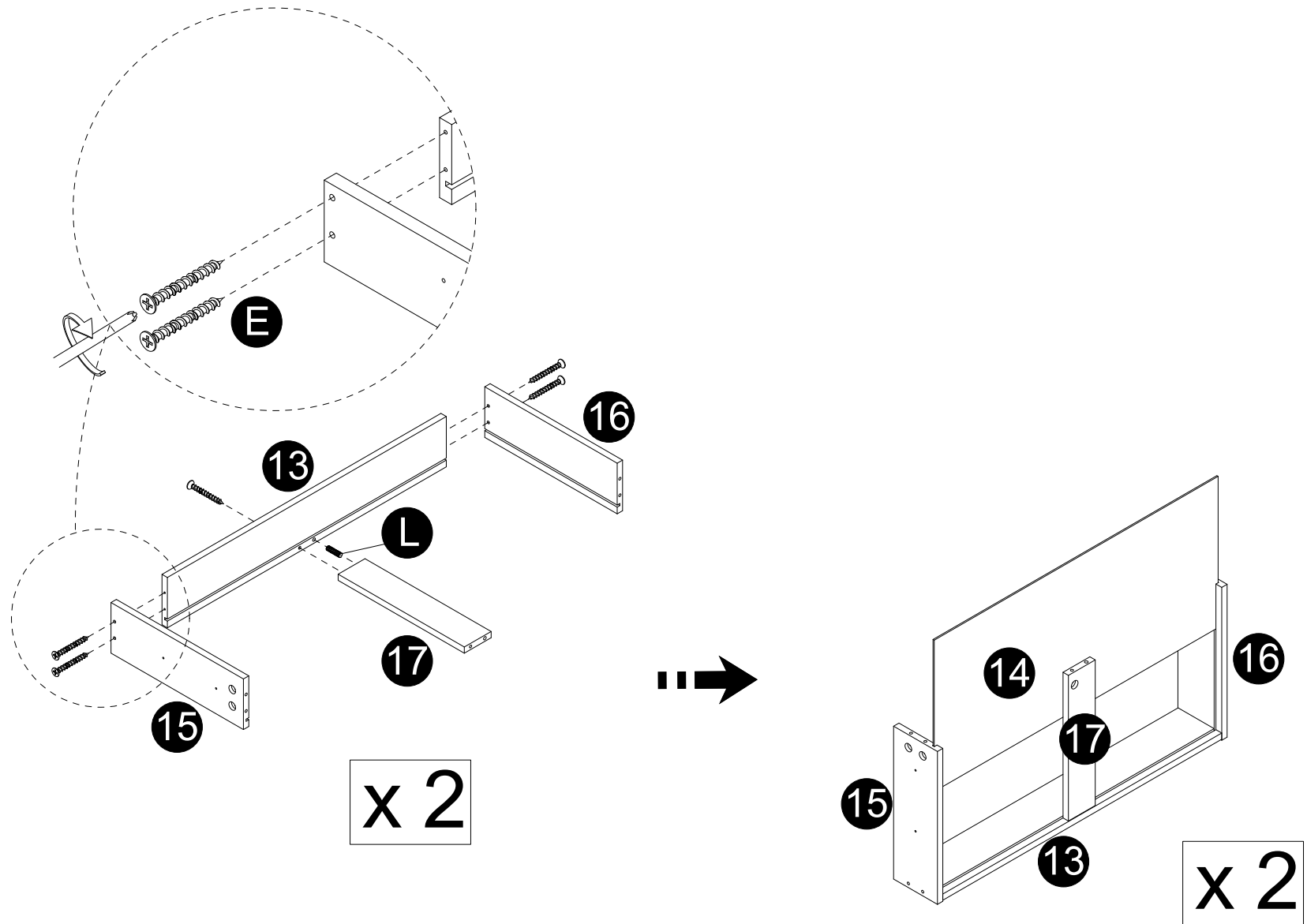


Adjust Left and right 左右を調節

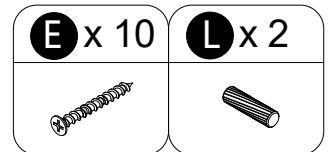


# 20

## INSTALLATION STEPS

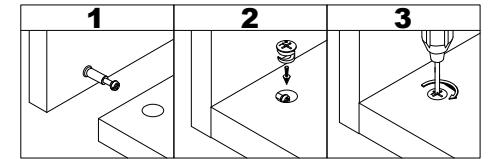
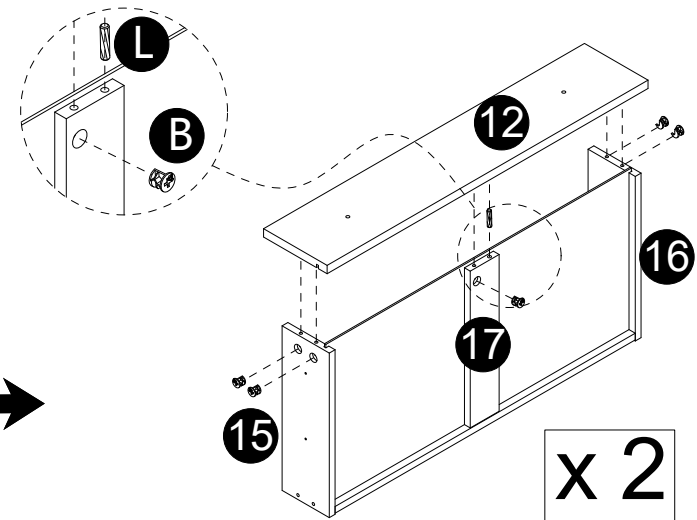
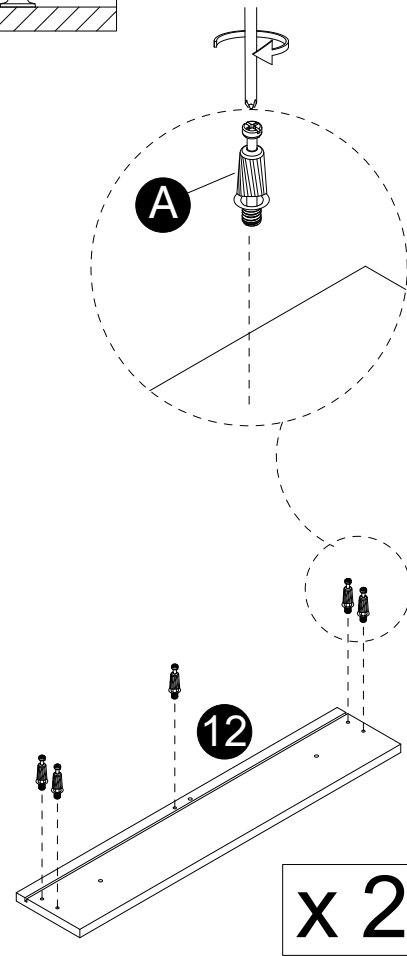
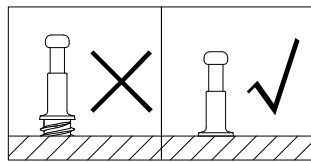


- Insert dowels (L) into panels (17).
- Attach panels (15,16,17) to panels (13) with screws (E).
- Carefully slide panels (14) into place along the bottom of the assembly.

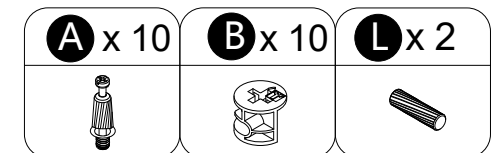


# 21

## INSTALLATION STEPS

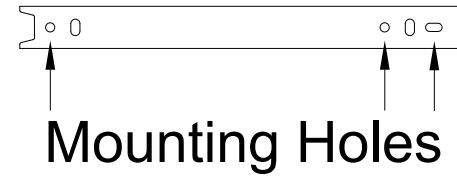
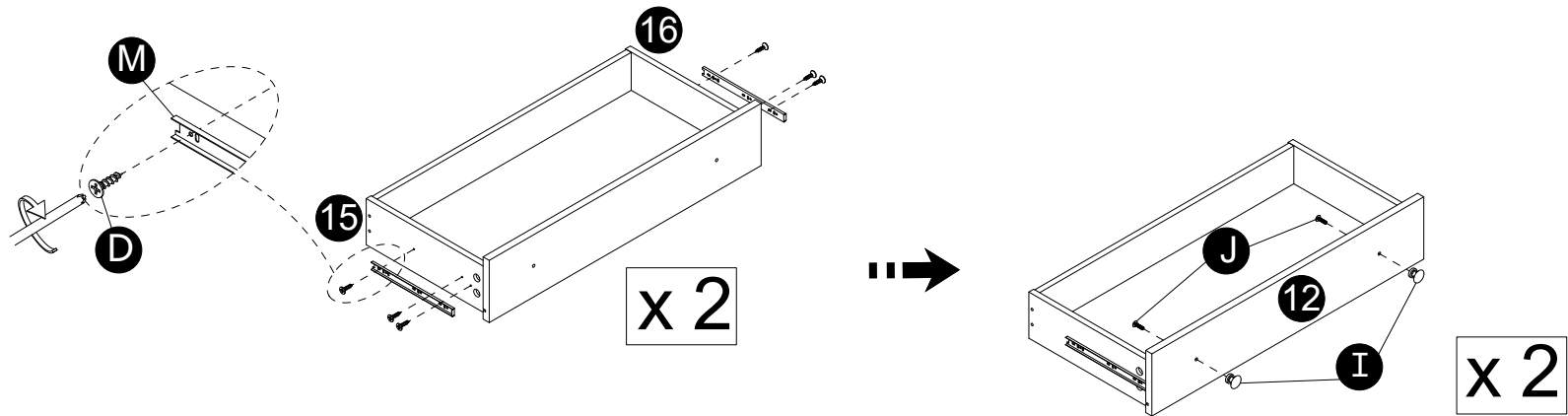


- Screw cam bolts (A) into panels (12).
- Insert dowels (L) into panels (17).
- Attach panels (12) to panels (15,16,17).
- Insert and secure cam locks (B) to panels (15,16,17) to lock it.

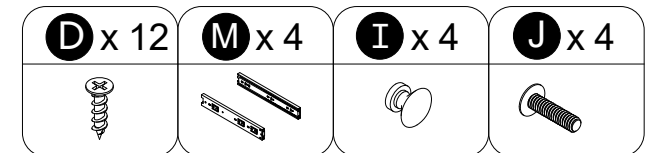


# 22

## INSTALLATION STEPS

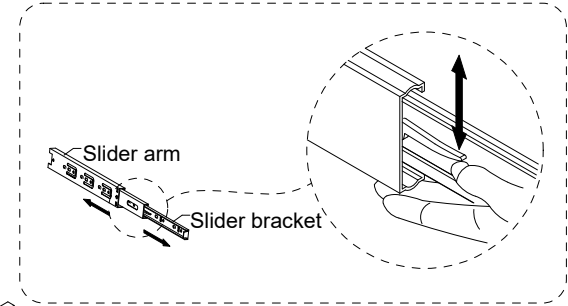
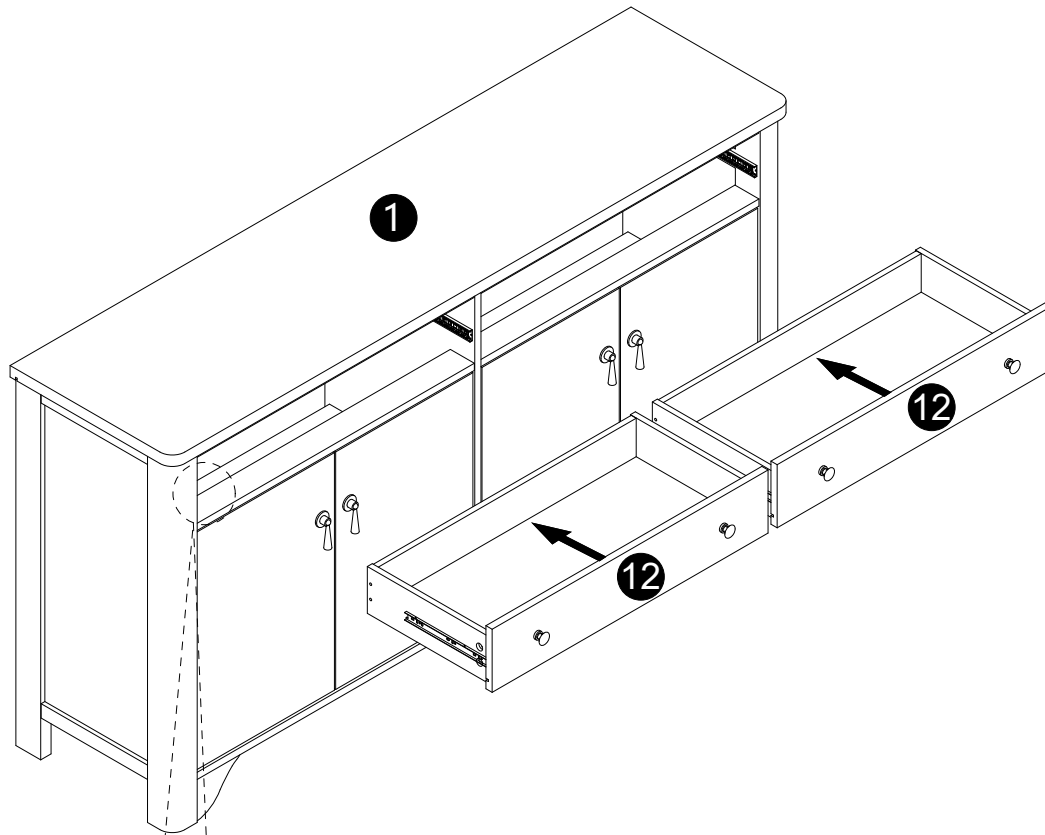


- Attach parts (M) to panels (15,16) using screws (D) correctly.
- Attach handles (I) to panels (12) with bolts (J).



# 23

## INSTALLATION STEPS



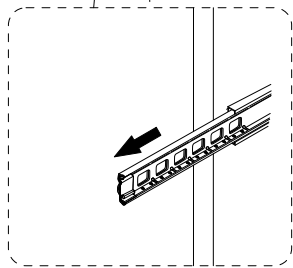
· Assembled the drawers as per diagram

Note :

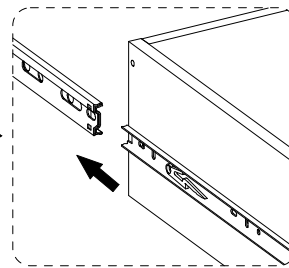
If the drawer does not go in smoothly.  
Press or lift the plastic release lever.  
Pull out the slider bracket from  
the slider arm.

Loosen the screws on slider brackets,  
You can adjust up or down by a few mm.  
Then tighten back up.

Finally re-assembled the drawer until  
they were going in smoothly well.



Step 1



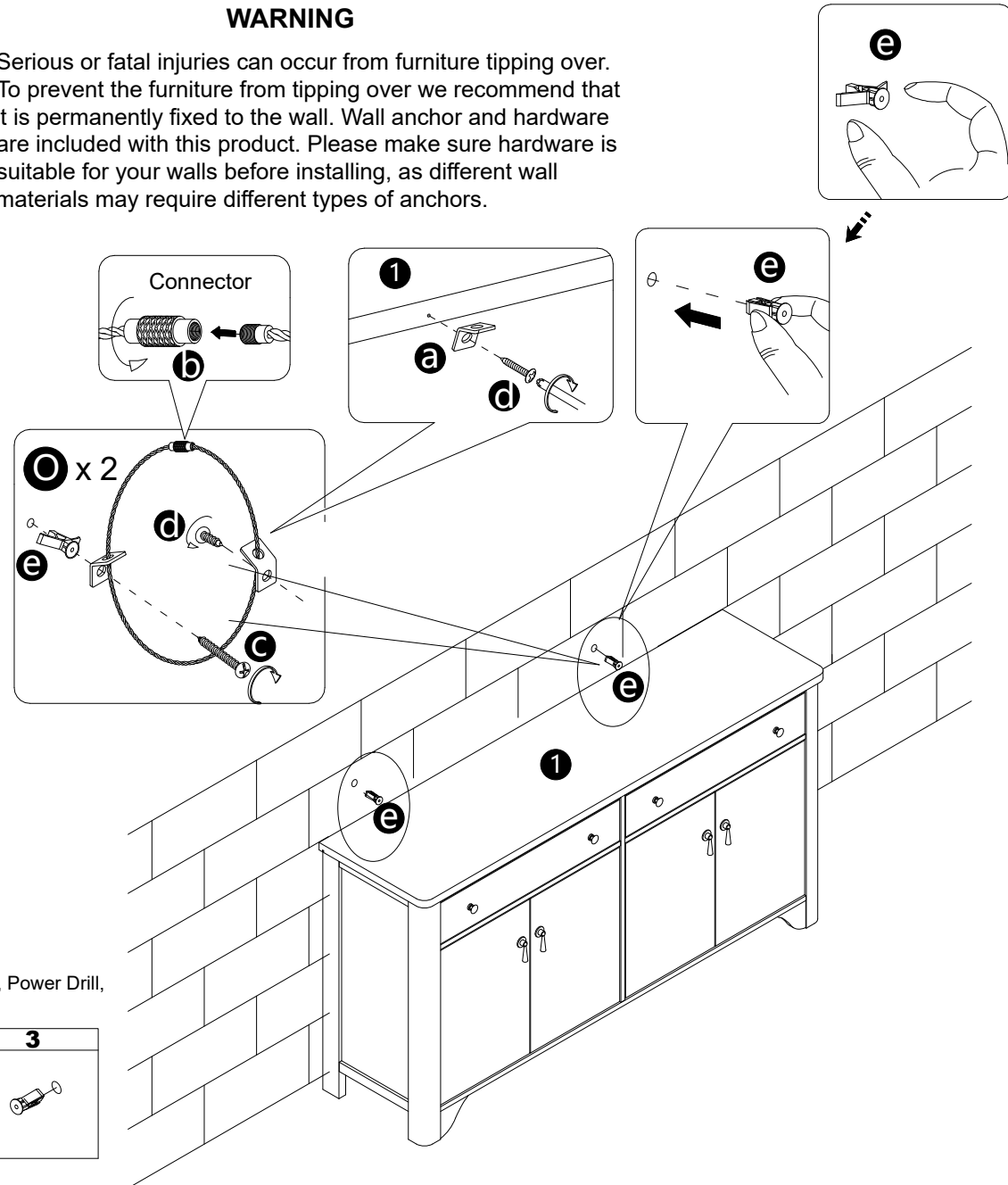
Step 2

# 24

## INSTALLATION STEPS

### WARNING

Serious or fatal injuries can occur from furniture tipping over. To prevent the furniture from tipping over we recommend that it is permanently fixed to the wall. Wall anchor and hardware are included with this product. Please make sure hardware is suitable for your walls before installing, as different wall materials may require different types of anchors.



Tools required: Phillips screwdriver, Power Drill, 2/5" Drill Bit and Rubber Mallet.

