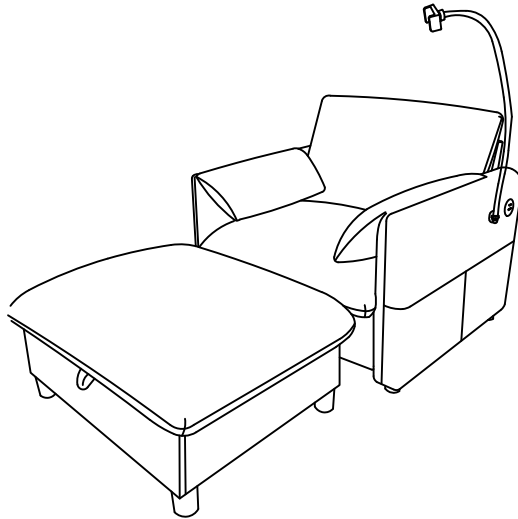


# ASSEMBLY INSTRUCTION

**N723P387145**



**Sets often ship in multiple boxes and delivery date may vary.**

## **CUSTOMER SERVICE**

**Questions, Missing parts, Assembly help?  
No need to return the product, we will gladly help and ship  
your replacement parts free of charge.**

# PRE-ASSEMBLY INFORMATION

**Please read this manual carefully before beginning assembly of this product. Keep this manual for future reference.**

## NOTICE

1. Please assemble it AFTER all boxes are received.
2. Please do not throw away any of the packages or the instruction until the sofa is fully assembled.
3. Please keep children away from the plastic bags or any small pieces of stuff.
4. Some key parts of our product may be stored and hidden inside of other parts. Please open any zippered or hook & loop storage compartments to take out all parts.
5. Please do not open the compressed packages until your sofa frame is completely assembled.
6. As the cushions are all vacuum compressed, there will be some wrinkles. Please give them up to 72 hours to reach its original size and the wrinkles will basically disappear.
7. DO NOT INSTALL THE SCREWS ALL THE WAY IN THE BEGINNING. Place each screw into their proper hole and use your hand to twist the screw halfway. Twist all the screws in halfway to ensure the holes will match up properly and the product is level on the ground. When everything seems fitted, then tighten the screws.
8. Do not over tighten screws and bolts to avoid stripping.



**2 adults recommended**



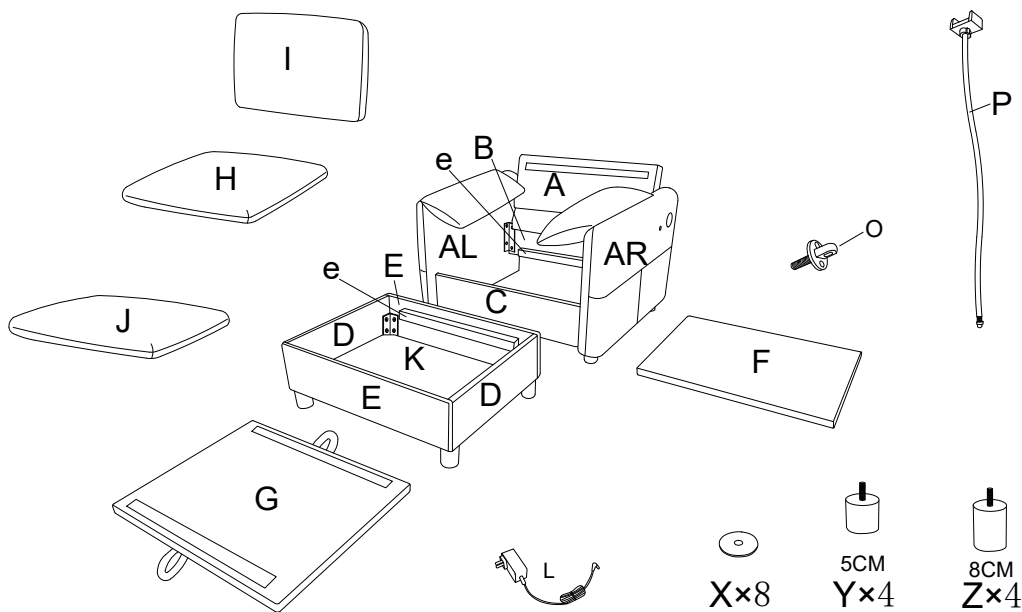
**Takes about 1.5 Hours to assemble**



**Weight capacity of each seat: 330LBS**

---

# COMPONENTS

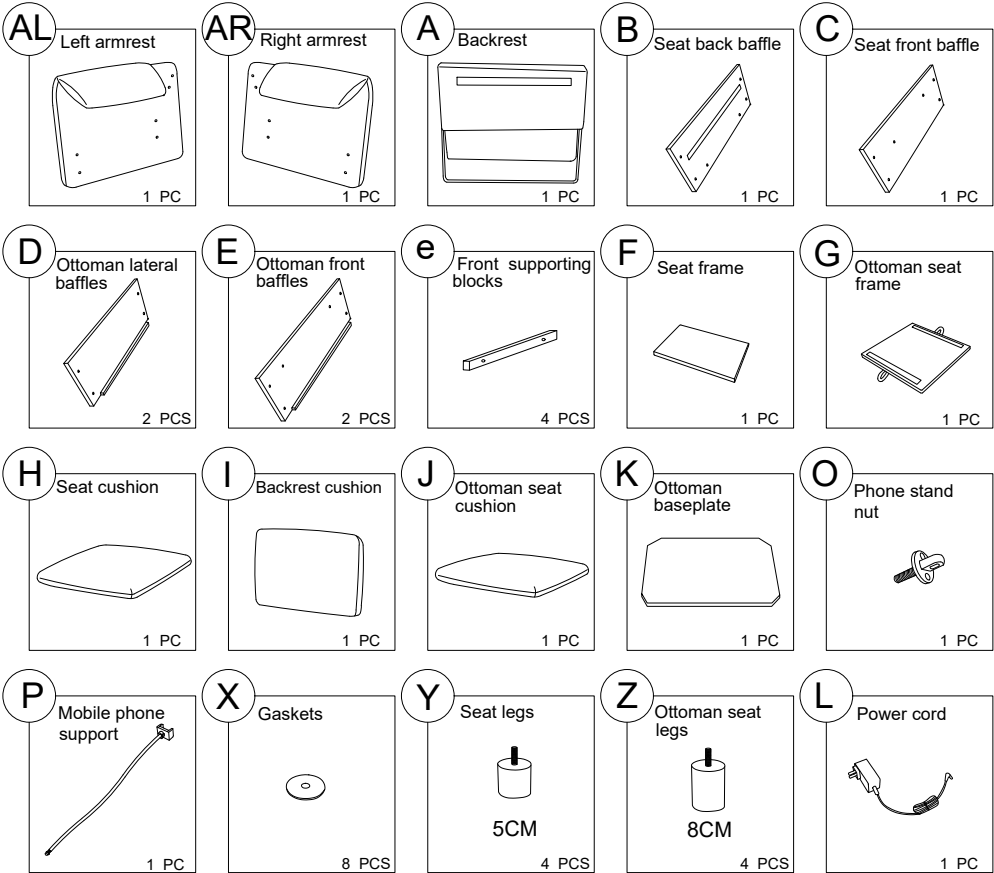


## HARDWARE

NO	DESCRIPTION	SKETCH	QTY
①	Leg irons		4
②	Hinges		4
③	Screws M6*15MM		36
④	Screws M6*40MM		8
⑤	Connectors		2
⑥	Wrench		1
⑦	Self-tapping screw		2
⑧	Phillips screwdriver		1

# COMPONENTS

N723P387145



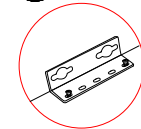
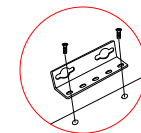
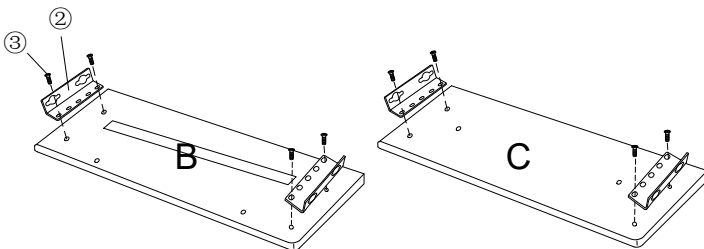
Hardware  
+  
Manual

**STEP 1** Use screws 6\*15mm ③ to link hinges ② to seat back baffle (B) and seat front baffle (C), then tighten the screws with a wrench ⑥. (Note that the screws in this step can only be tightened 70%)

③×8



②×4

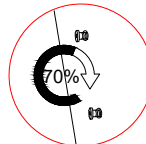
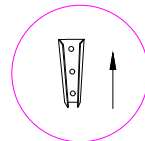
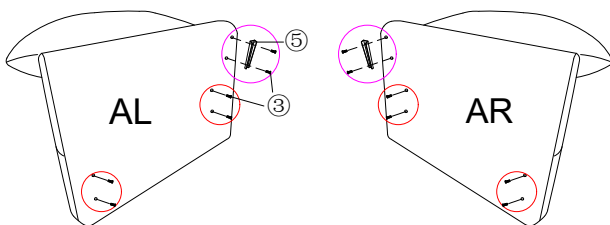


**STEP 2** Install screws 6\*15mm ③ onto left armrest (AL) and right armrest (AR). (Note that the screws in this step can only be tightened 70%). Use screws 6\*15mm ③ to link connectors ⑤ to left armrest (AL) and right armrest (AR), then tighten the screws with a wrench ⑥.

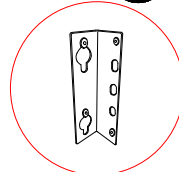
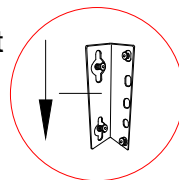
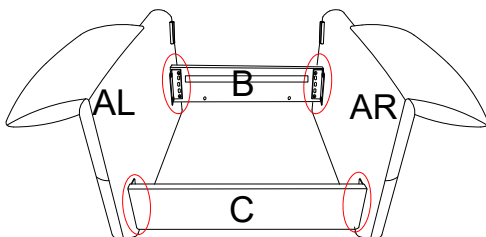
③×12



⑤×2

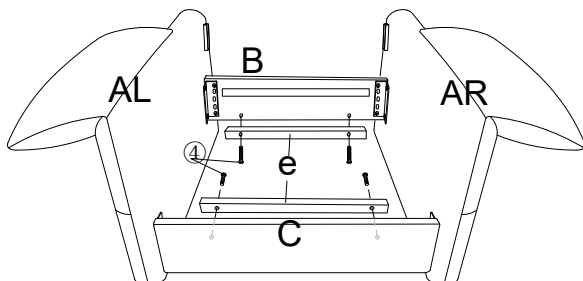


**STEP 3** Hang seat back baffle (B) and seat front baffle (C) on the screws of left armrest (AL) and right armrest (AR), then tighten the screws on the armrest by a wrench ⑥.

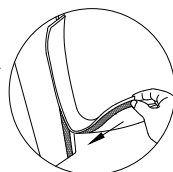
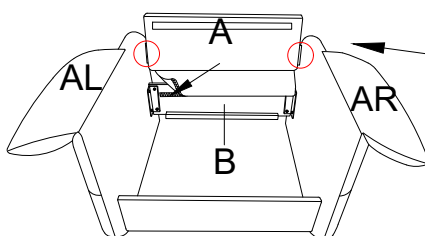
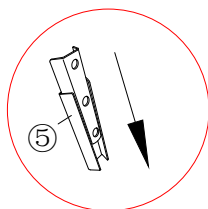


**STEP 4** Use screws 6\*40mm ④ to link front supporting blocks(e) to seat back baffle (B) and seat front baffle (C). Tighten the screws with a wrench⑥.

④×4 



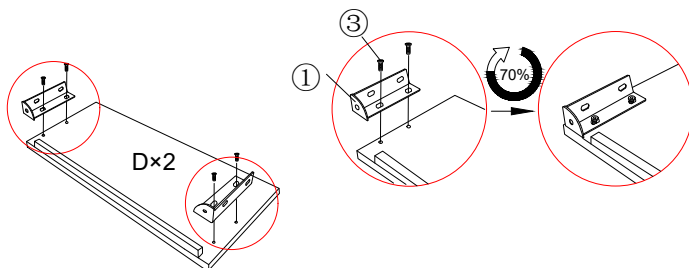
**STEP 5** Hang backrest (A) on the connectors⑤ of left armrest (AL) and right armrest (AR). Stick the felt of backrest (A) onto left armrest (AL) and right armrest (AR) and seat back baffle (B).



**STEP 6** Use screws 6\*15mm ③ to link leg irons ① to ottoman lateral baffles (D), then tighten the screws with a wrench⑥. (Note that the screws in this step can only be tightened 70 %)

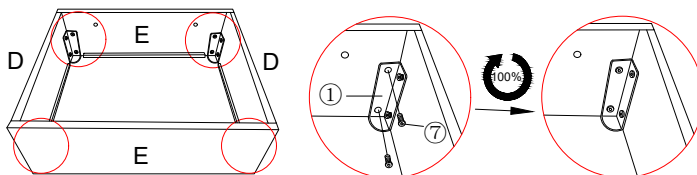
③×8 

①×4 

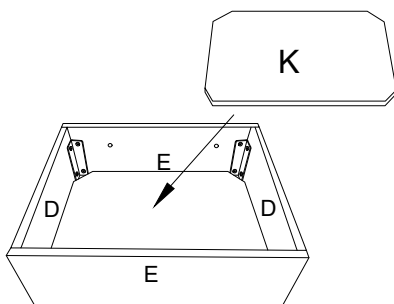


**STEP 7** Use screws 6\*15mm ③ to link leg irons ① to ottoman front baffles (E), then tighten the screws on the ottoman lateral baffles (D) and ottoman front baffles (E) with a wrench ⑬.

③×8

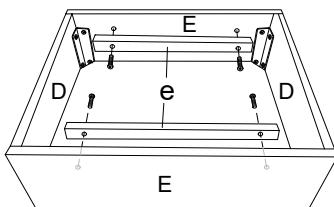


**STEP 8** Place ottoman baseplate (K) in the installed ottoman seat frame.

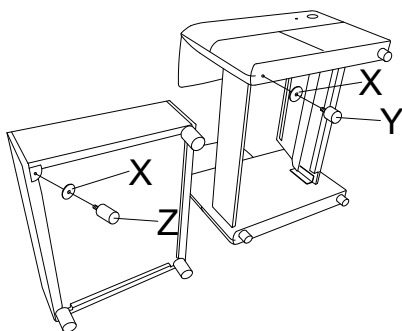


**STEP 9** Use screws 6\*40mm ④ to link front supporting blocks (e) to ottoman front baffles (E). Tighten the screws with a wrench ⑥.

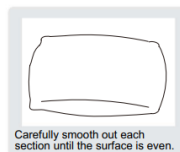
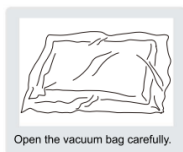
④×4



**STEP 10** Attach seat legs(Y) and gaskets(X) to the seat.  
 Attach ottoman seat legs(Z) and gaskets(X) to the ottoman seat.

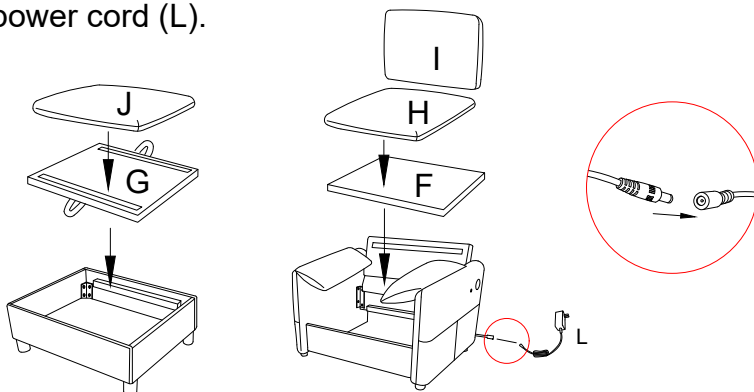


**STEP 11** Open the vacuum bag and take the backrest cushion(I), seat cushion/ ottoman seat cushion(H/J) out. To restore the original shape, follow the steps below.



After packing up, place them in somewhere dry and ventilated. After about 72-96 hours. It can be restored to the best use condition.

**STEP 12** Put the cushions on the sofa  
 Link power cord (L).

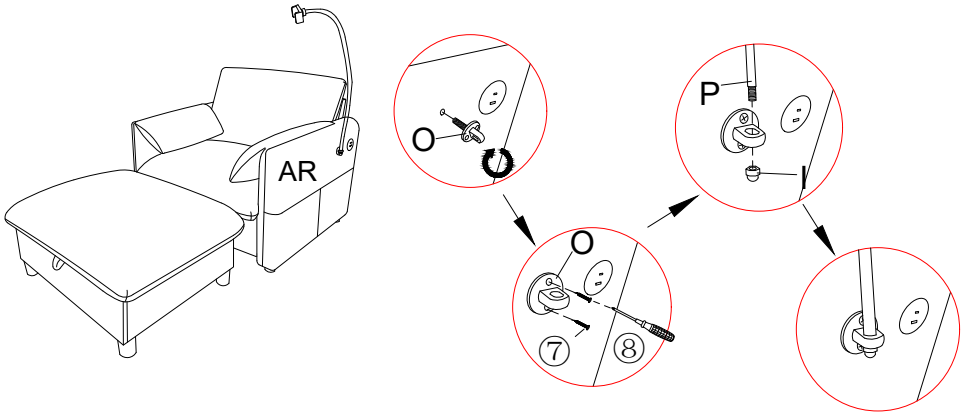


- STEP 13** 1. Install the phone stand nut (O) onto right armrest (AR).
2. Use self-tapping screws ⑦ to link the phone stand nut (O) to right armrest (AR).
3. First, remove the screw cap that comes with part Mobile phone support (P), and then insert the bracket into the handrail and screw the cap back on.

⑦×2



⑧×1



**STEP 14** Complete

