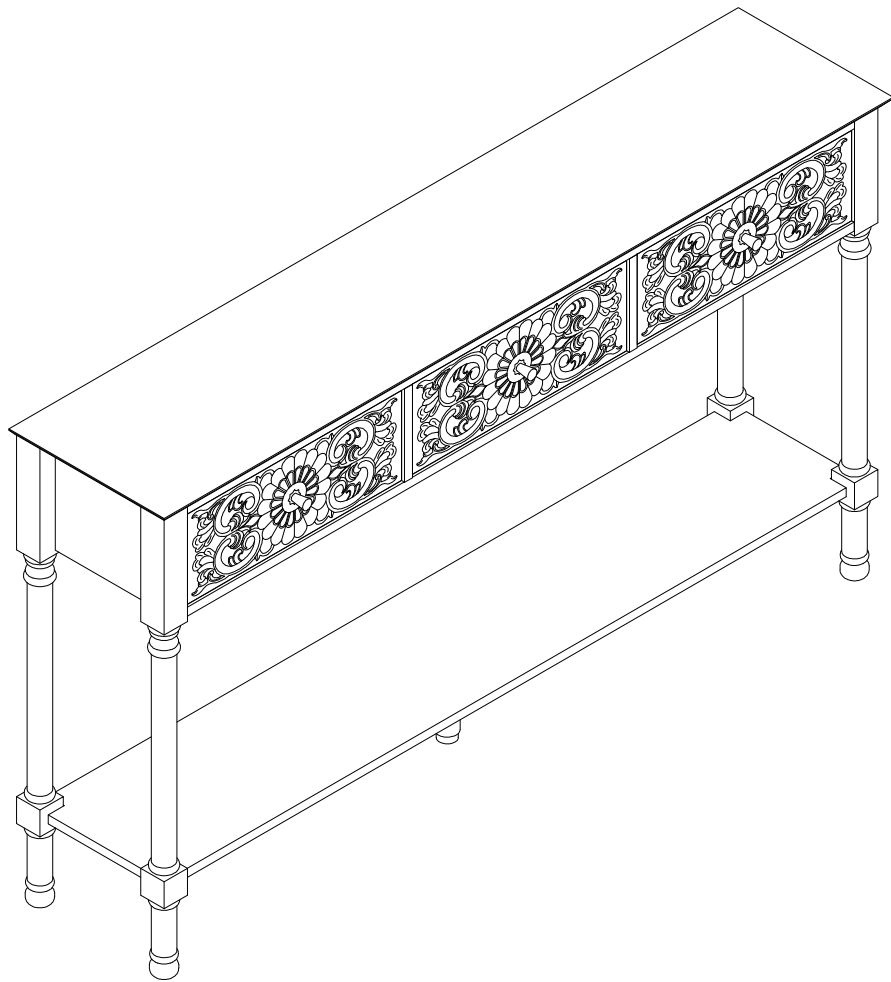


Assembly Instructions

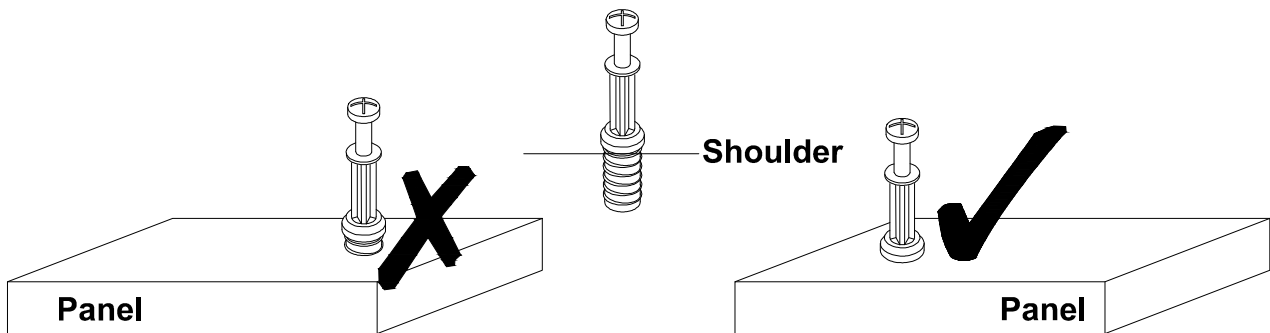


Before Assembly

Tips Before Your Start:

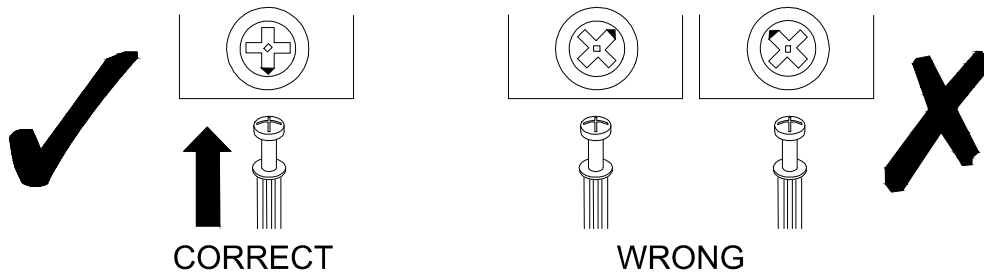
- Remove all wrapping material, including staples & packing straps before you start to assemble.
- DO NOT tighten all screws and bolts until the assembly is completely assembled.
- Keep all hardware parts out of reach of children.

QUICKFIT



Tighten quickfit until shoulder is flush with panel. Do not overtighten or undertighten.

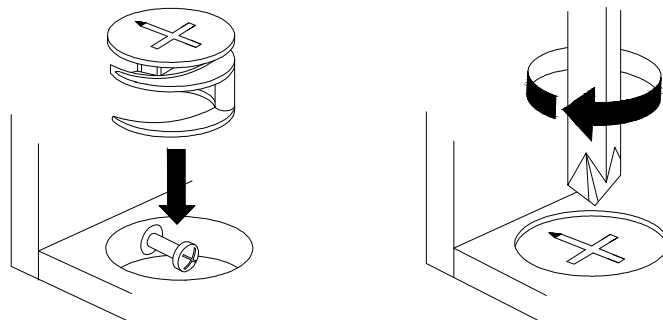
CAM LOCK



When fitting a cam lock, ensure the starting position is correct before inserting the connecting QUI CKFIT

Quickfit head should be in the centre of the cam lock when the two panels are joined.

Cam lock should be inserted before quickfit.

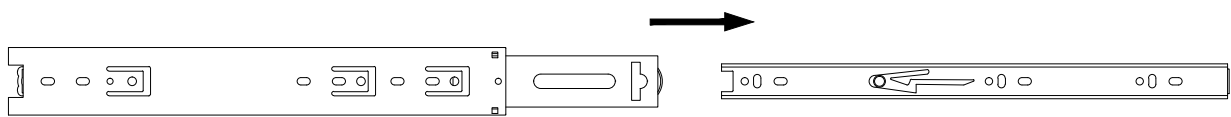
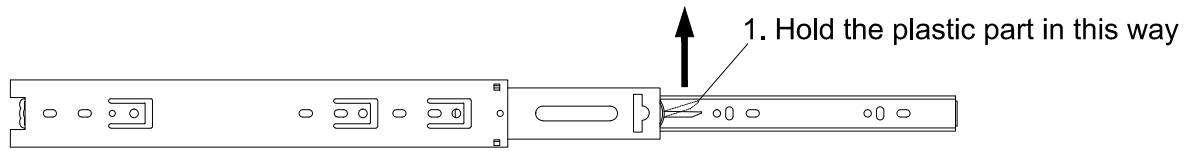


Turn cam lock clockwise to tighten.

Before Assembly

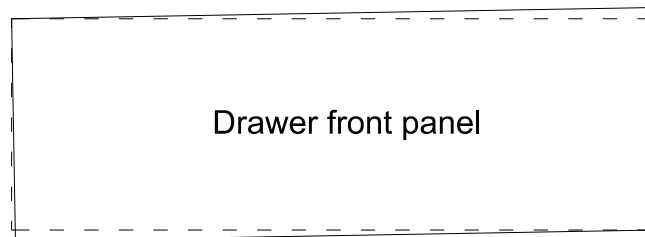
Tips Before Your Start

How to separate the drawer slider:

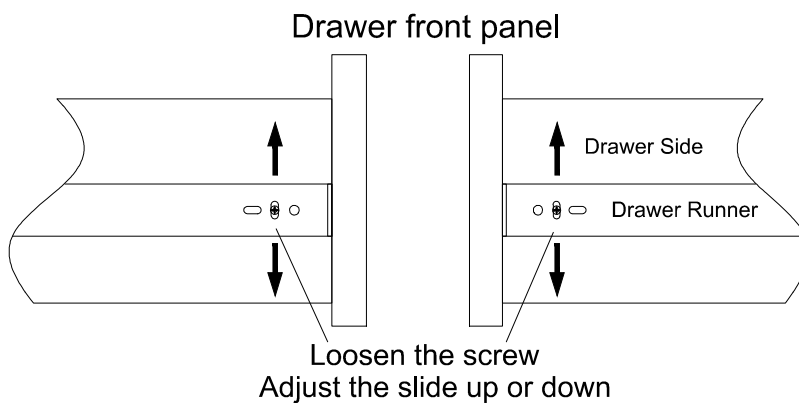


2. Pull out the inner slider for drawer box fixing

Drawer Front Alignment

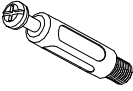


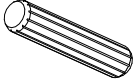
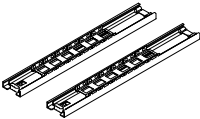
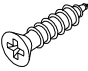
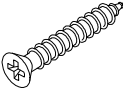


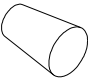
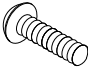

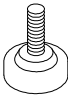
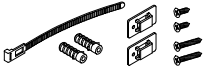


If the drawer front panel is NOT level after being assembled, then...

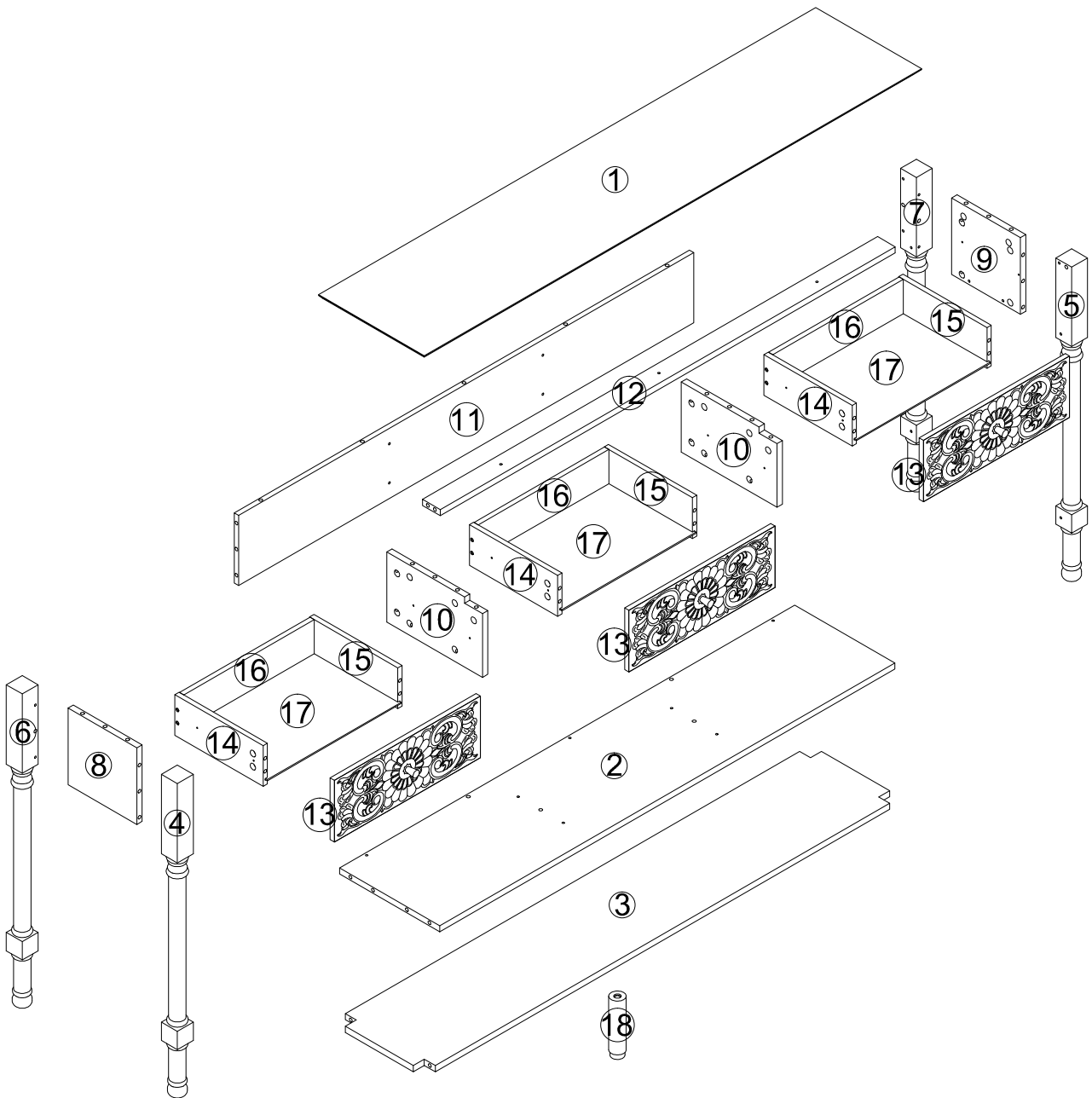


Loosen the screws on the left and right hand side, then adjust the drawer slide up or down, until the drawer fronts are even/level, then tighten the screws.

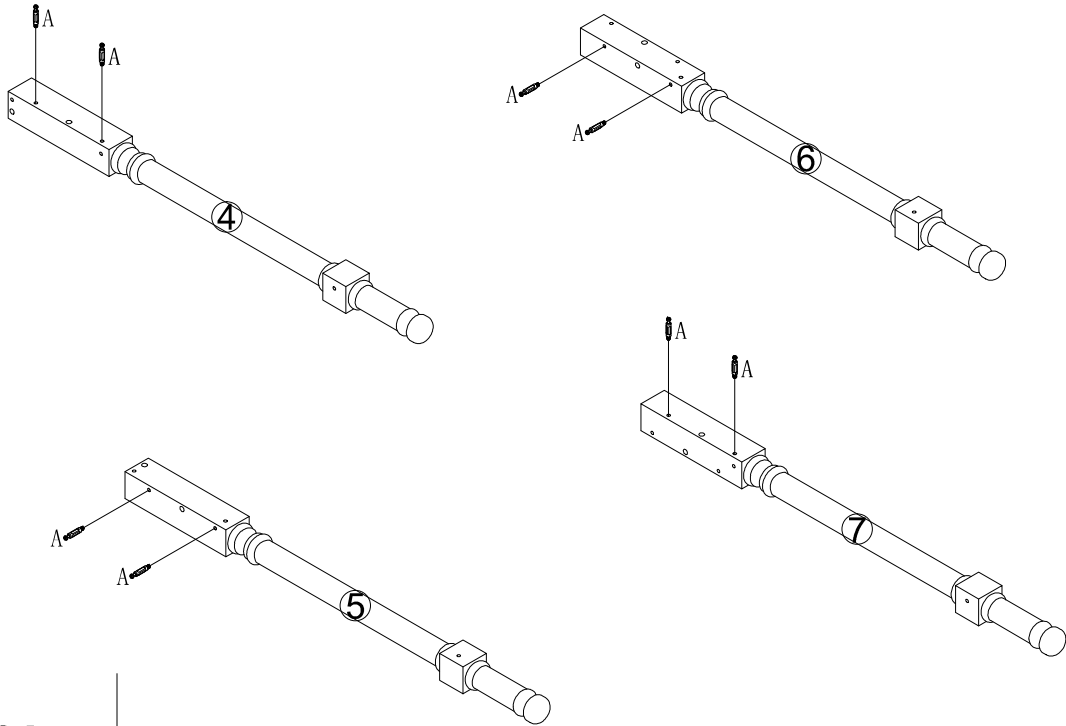
Part List

<p>No. A Quantity:62 Pcs Cam Lock Dowel 8*28mm</p> 	<p>No. B Quantity:62 Pcs Cam φ15</p> 	<p>No. C Quantity:62 Pcs Sticker Ø20</p> 	<p>No. D Quantity:18 Pcs Dowel 8*30mm</p> 
<p>No. E Quantity:3 Sets Drawer Slider 10"</p> 	<p>No. F Quantity:24 Pcs Screw M3.5*12mm</p> 	<p>No. G Quantity:3 Pcs Screw M3.5*25mm</p> 	<p>No. H Quantity:12 Pcs Screw M4*30mm</p> 
<p>No. I Quantity:4 Pcs Slip Mat Ø20</p> 	<p>No. J Quantity:3 Pcs Handle</p> 	<p>No. K Quantity:3 Pcs Screw M4*18mm</p> 	<p>No. L Quantity:1 Pcs Full Thread Screw M8*40mm</p> 
<p>No. M Quantity:1 Pcs Adjust The Foot</p> 	<p>No. N Quantity:1 Sets Anti-falling Parts</p> 		

Product structure



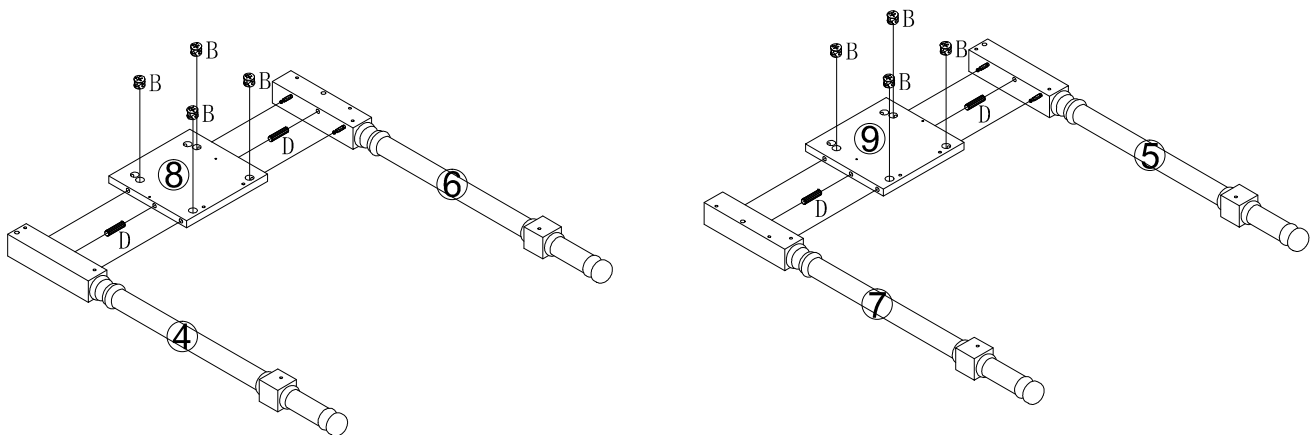
STEP 1



No. A
Quantity: 8 Pcs
8*28 mm



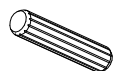
STEP 2



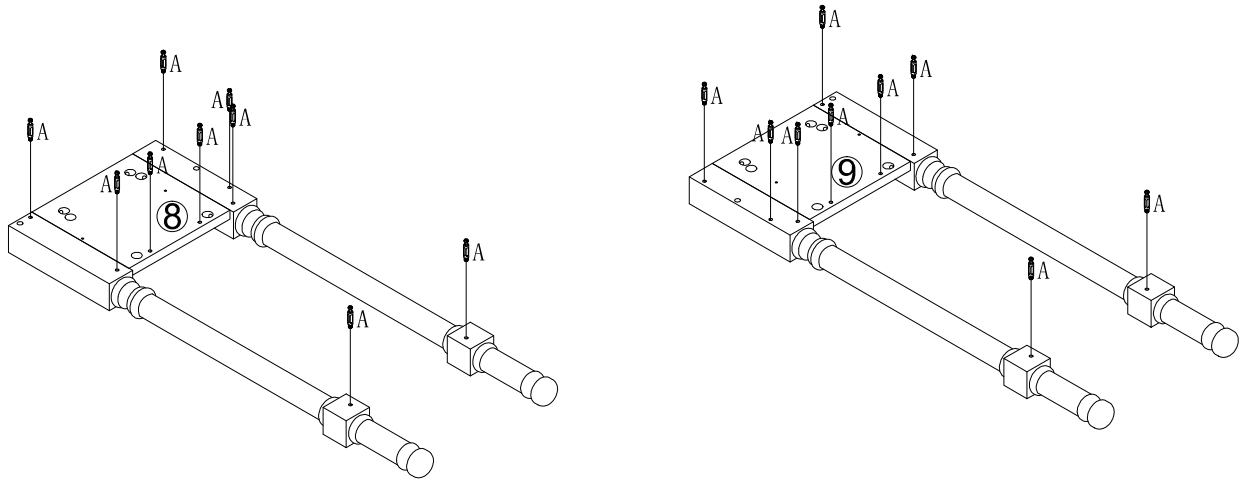
No. B
Quantity: 8 Pcs
Ø15



No. D
Quantity: 4 Pcs
8*30mm



STEP 3



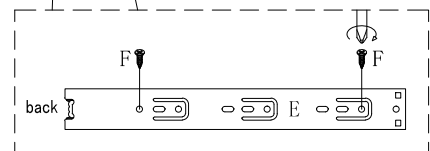
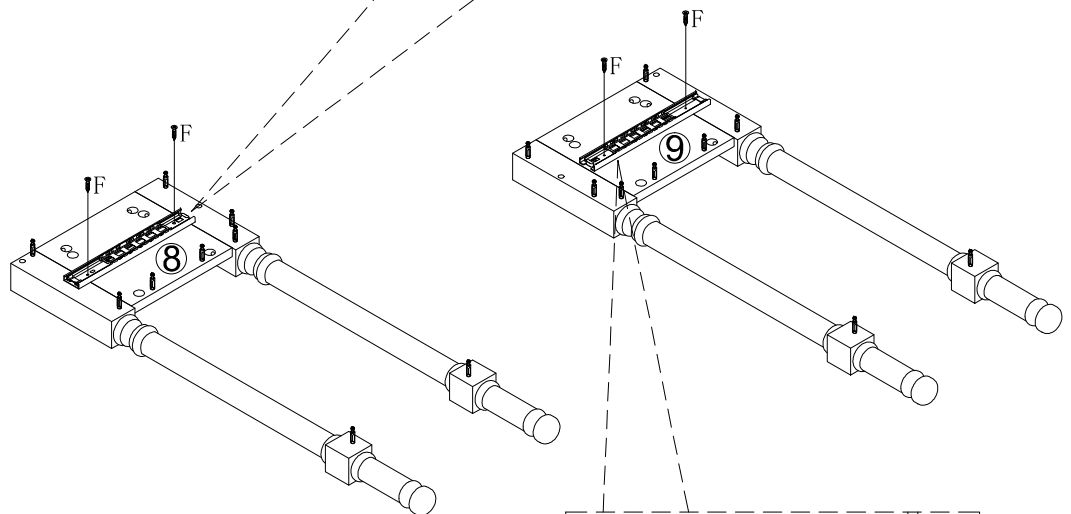
No. A
Quantity: 18 Pcs
8*28 mm



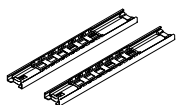
STEP 4



The first screw hole should corresponded with the board location hole



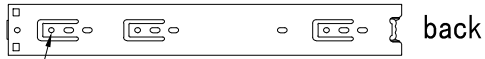
No. E
Quantity: 1 Sets
10"



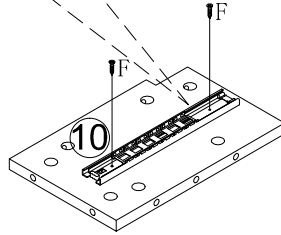
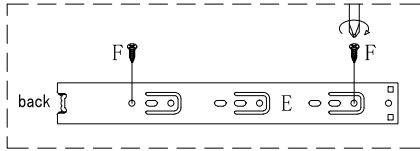
No. F
Quantity: 4 Pcs
M3.5*12mm



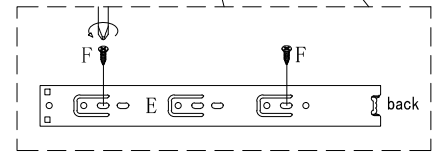
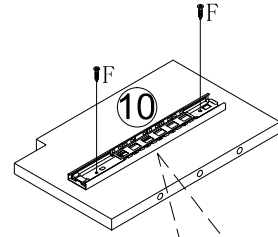
STEP 5



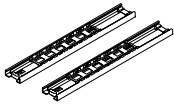
The first screw hole should correspond with the board location hole



Flip to the other side.



No. E
Quantity: 2 Sets
10"

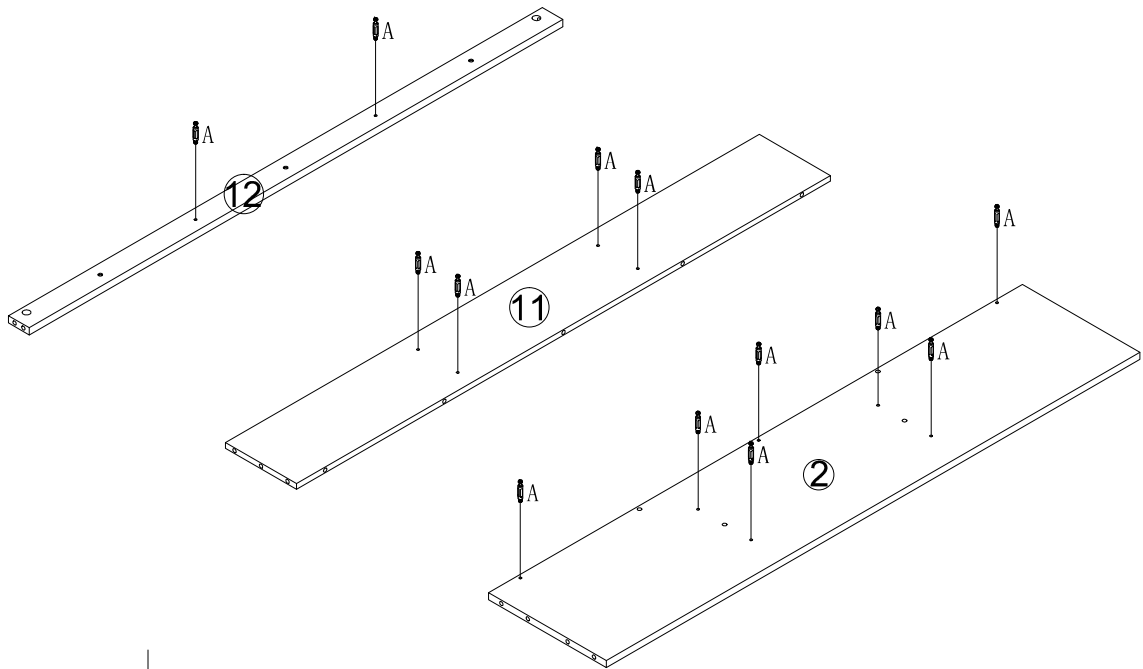


No. F
Quantity: 8 Pcs
M3.5*12mm



x2

STEP 6

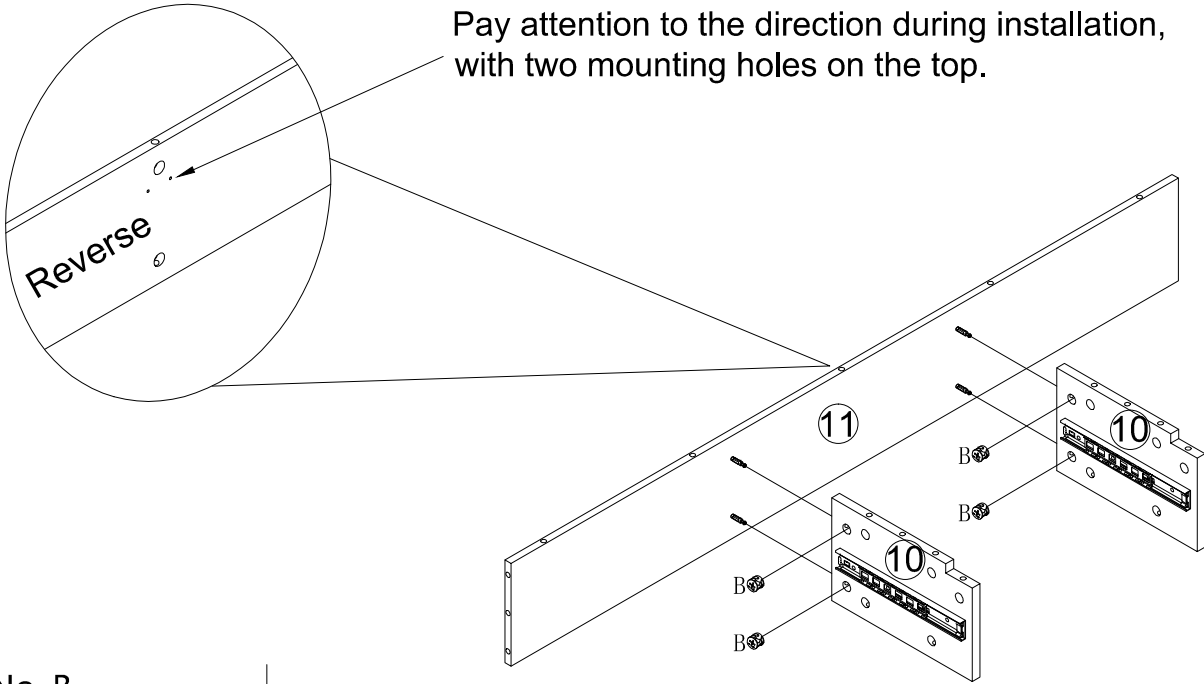


No. A
Quantity: 13 Pcs
8*28 mm



STEP 7

Pay attention to the direction during installation, with two mounting holes on the top.



No. B
Quantity: 4 Pcs
Ø15



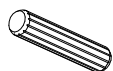
STEP 8



No. B
Quantity: 7 Pcs
Ø15

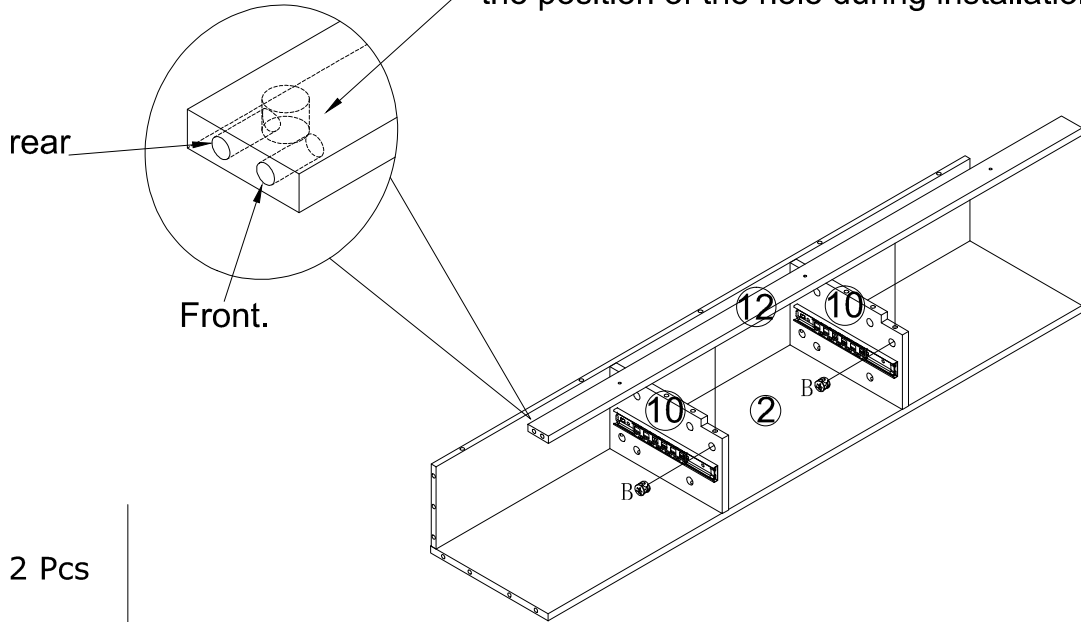


No. D
Quantity: 4 Pcs
8*30mm



STEP 9

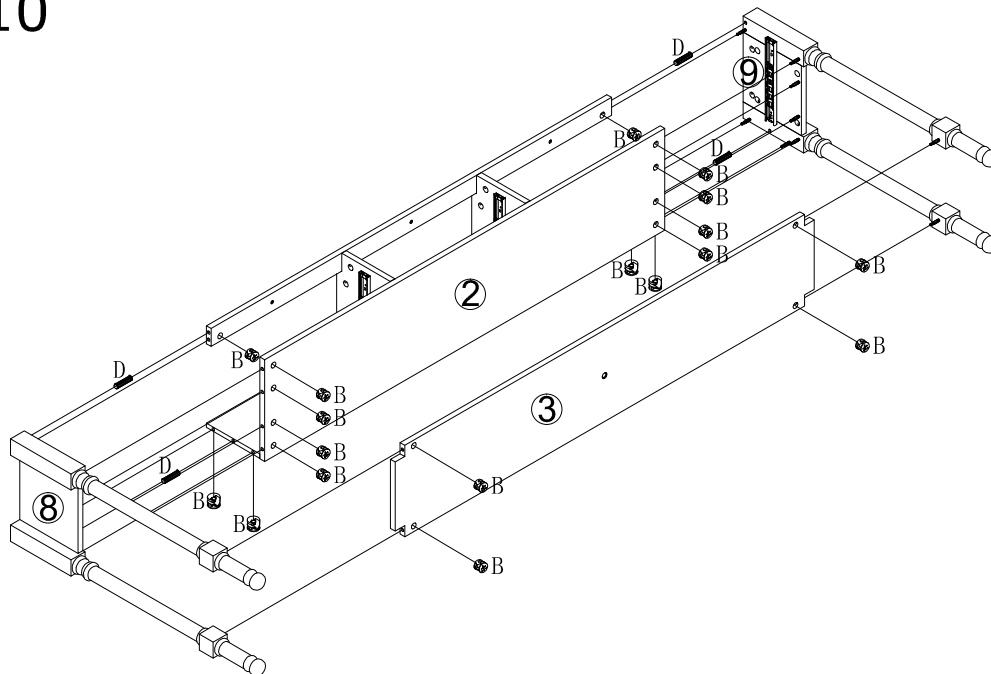
Pay attention to the direction of the board and the position of the hole during installation.



No. B
Quantity: 2 Pcs
Ø15



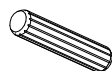
STEP 10



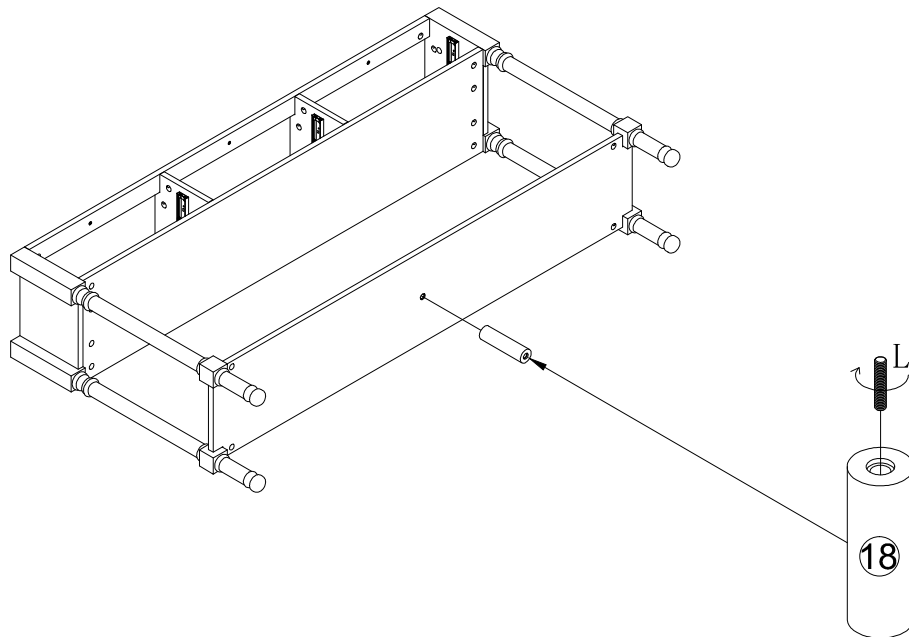
No. B
Quantity: 18 Pcs
Ø15



No. D
Quantity: 4 Pcs
8*30mm



STEP 11

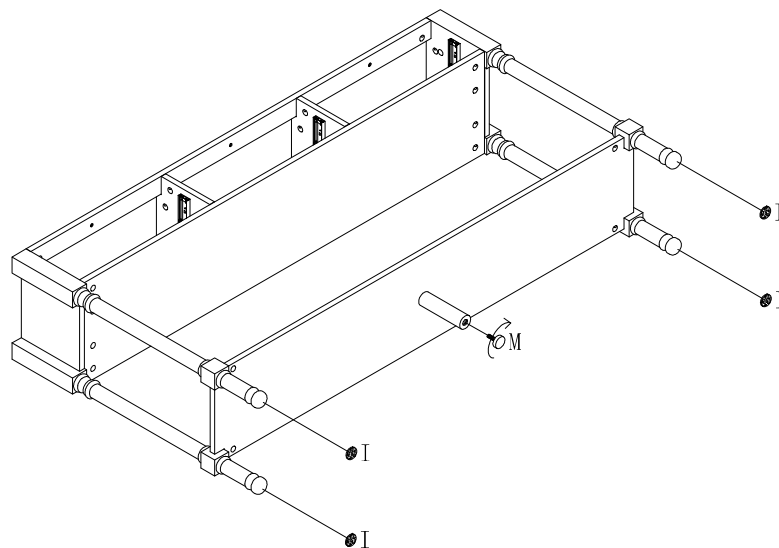


No. L
Quantity: 1 Pcs
M8*40mm



Assemble it first

STEP 12



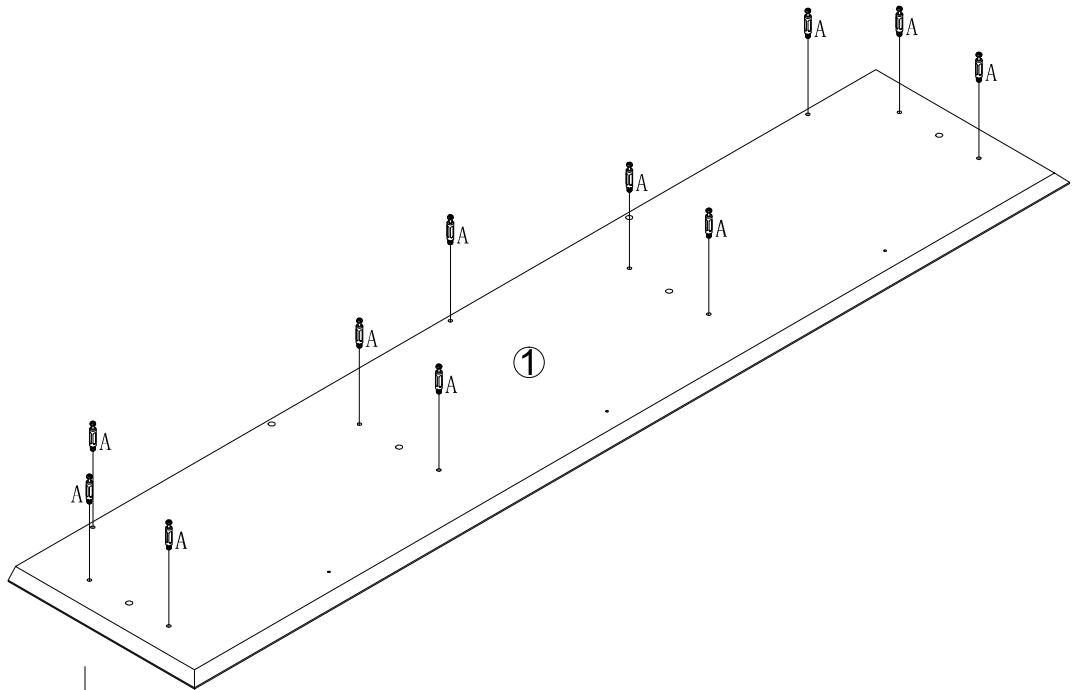
No. I
Quantity: 4 Pcs
Ø20



No. M
Quantity: 1 Pcs



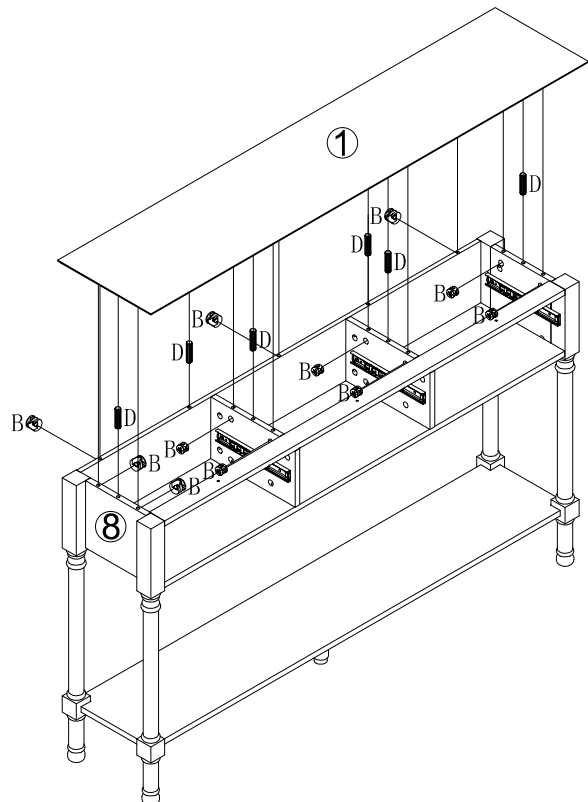
STEP 13



No. A
Quantity: 11 Pcs
8*28 mm



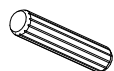
STEP 14



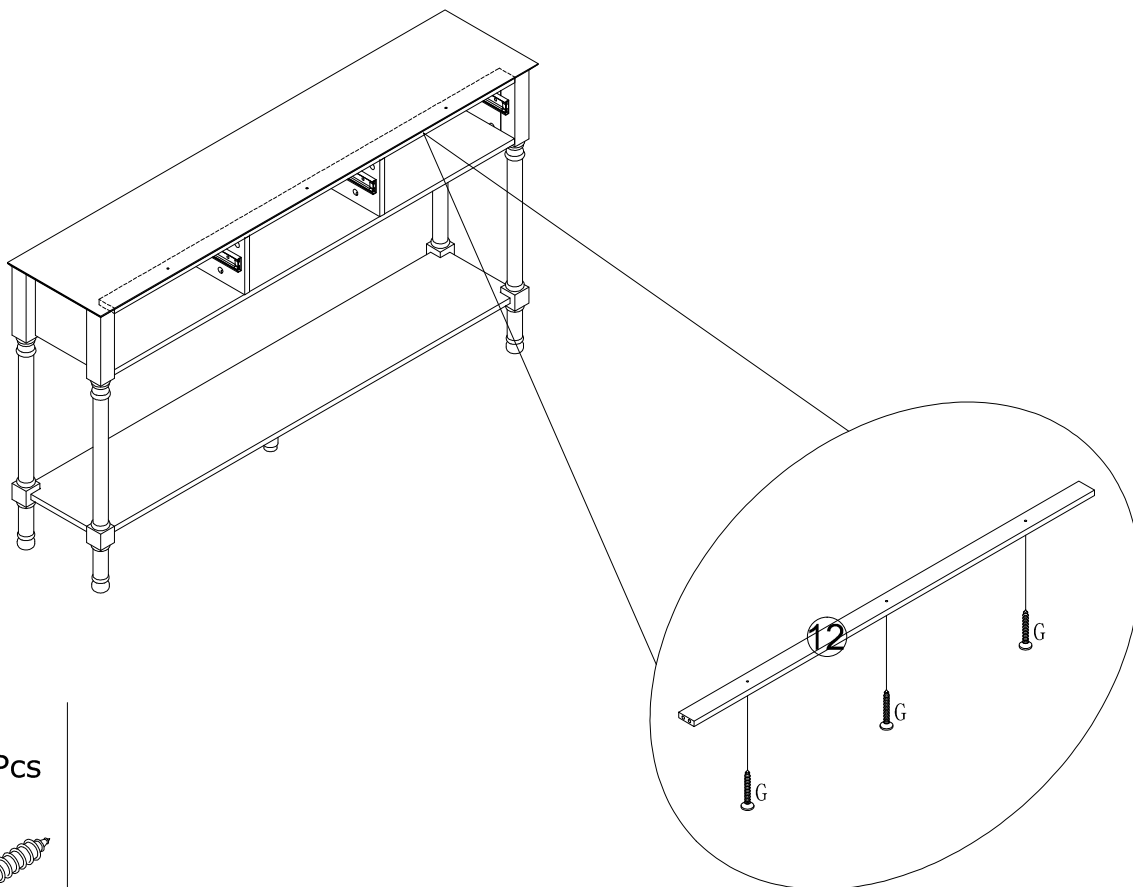
No. B
Quantity: 11 Pcs
Ø15



No. D
Quantity: 6 Pcs
8*30mm



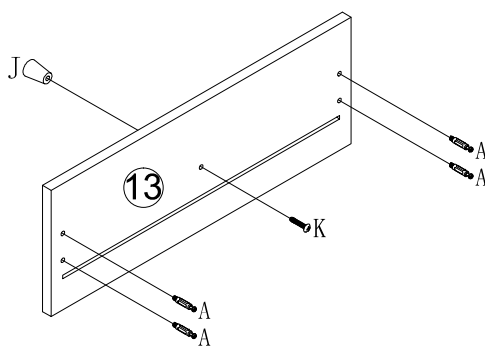
STEP 15



No. G
Quantity: 3 Pcs
M3.5*25mm



STEP 16



x3

No. A
Quantity: 12 Pcs
8*28 mm



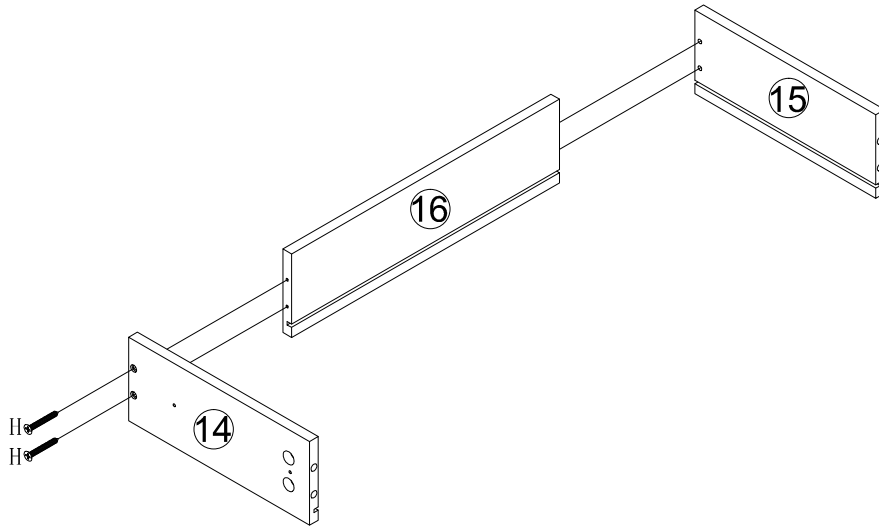
No. J
Quantity: 3 Pcs
Handle



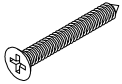
No. K
Quantity: 3 Pcs
M4*18mm



STEP 17

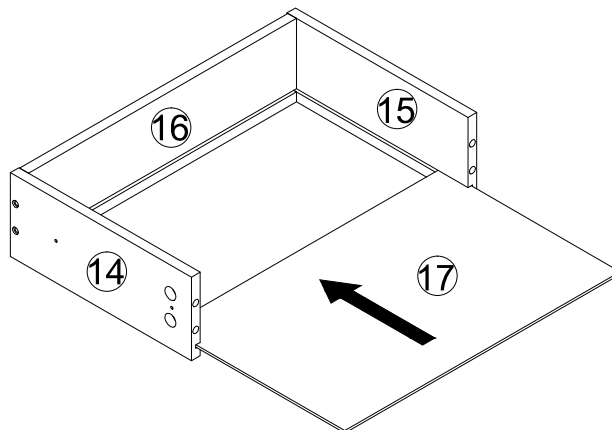


No. H
Quantity: 12 Pcs
M4*30mm



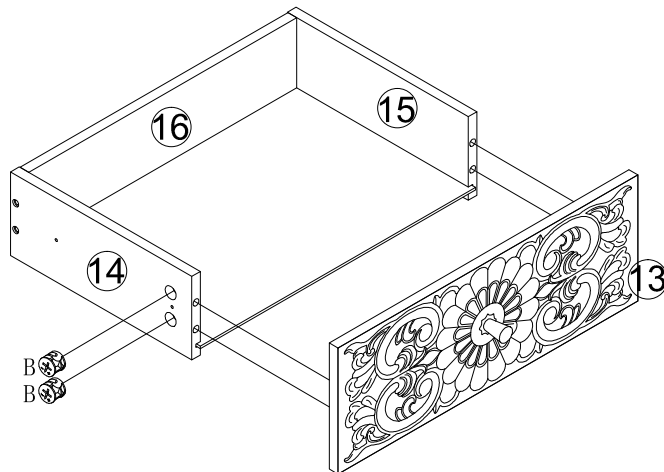
x 3

STEP 18



x 3

STEP 19



No. B
Quantity: 12 Pcs
Ø15

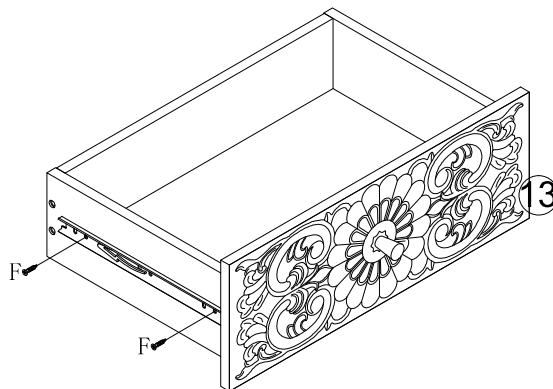


x 3

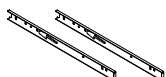
STEP 20



The first screw hole should corresponded with the board location hole



No. E
Quantity: 3 Sets
10"

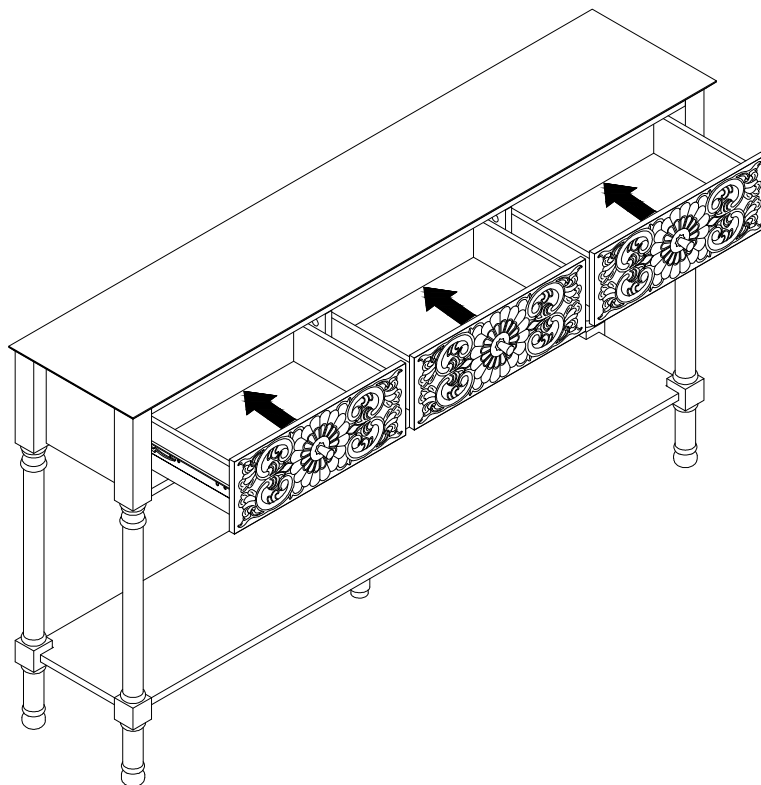


No. F
Quantity: 12 Pcs
M3.5*12mm

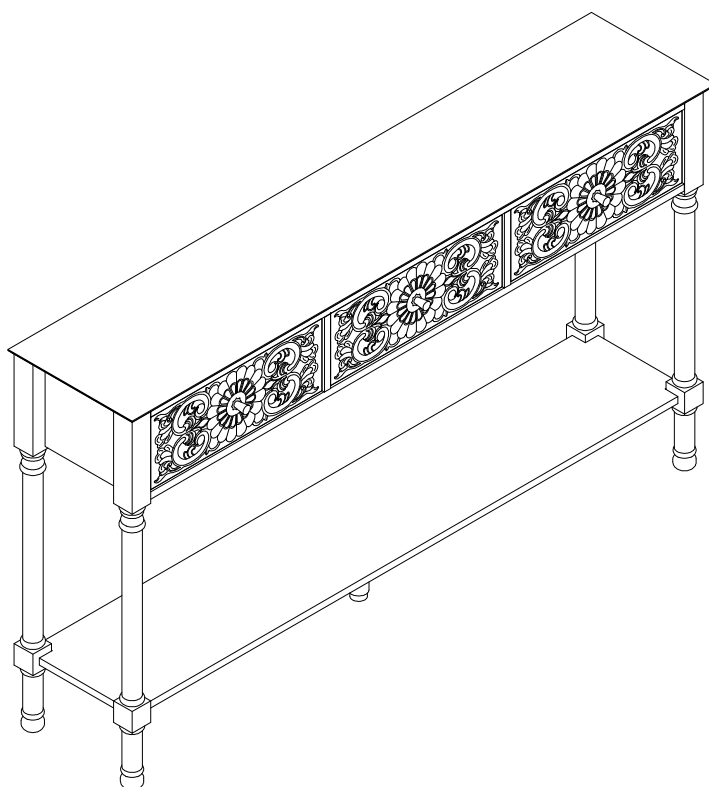


x 3

STEP 21



STEP 22



STEP 23

