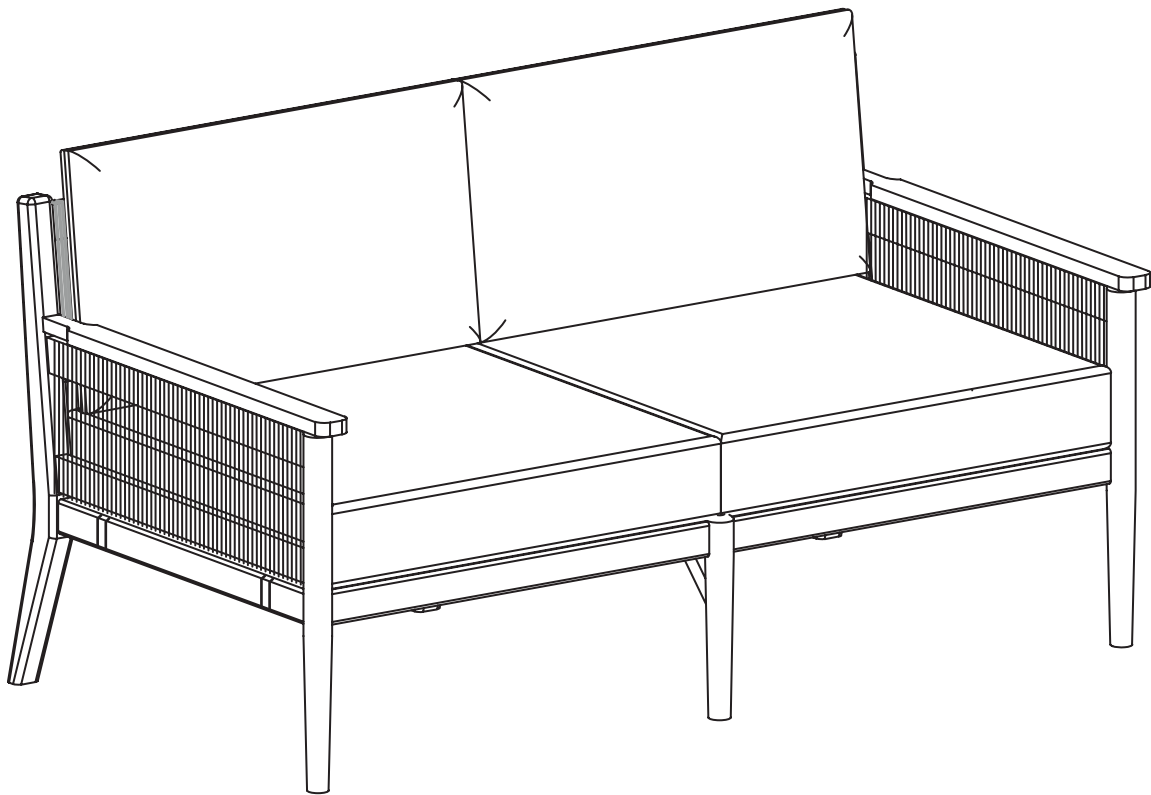


Let's build the

# Kayden Loveseat

SKU 28601



**Scan me!**

Free Lifetime  
Warranty

nathan james

24-0129-VN

# Ok, let's get rolling

This should be easy, just follow our instructions and you will be back to Netflix in no time.

## Estimated time for assembly



60:00

## What you need

- Some of your favourite bubbly or your preferred relaxant
- Use the packaging carton as a working surface to prevent product damage during assembly

Do not use a drill



## Weight Limitation



600  
lbs

300  
lbs per seat

Toll-free at 1-866-619-1004  
Help@nathanjames.com  
Nathanjames.com/help

## What's included

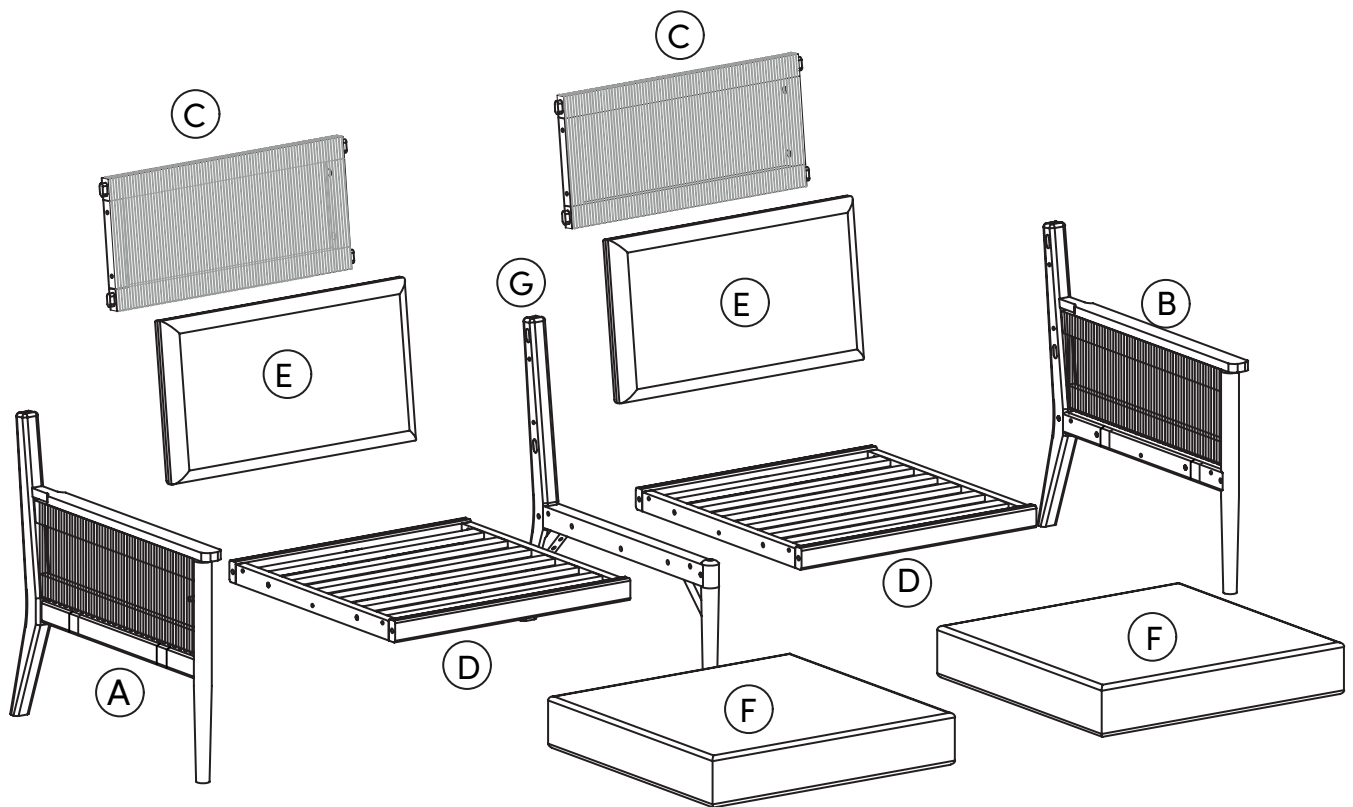
Description	Qty
A Side Frame Assembly (Left)	1
B Side Frame Assembly (Right)	1
C Back Frame	2
D Seat Frame	2
E Back Cushion	2
F Seat Cushion	2
G Center Leg Frame Assembly	1
1 Ø1/4" x 1-3/4" Hex Button Head Bolt	8
2 Ø1/4" x 1/2" Spring Washer	20
3 Ø1/4" x 1/2" Flat Washer	20
4 Ø1/4" x 1-3/8" Hex Button Head Bolt	12
5 Allen Key	1
6 Wooden Dowel 10x30mm	16
7 Plastic Nailhead Footpad (Extra)	4

Scan me!

Free Lifetime  
Warranty



# The goods



1

2

3

4

5

6

7

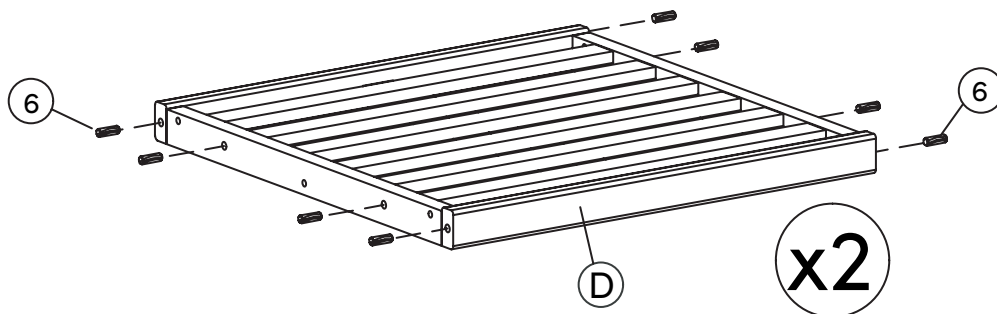


## IMPORTANT

1. Do not tighten bolts / screws completely until all bolts / screws are lined up and inserted into holes.
2. Do not over tighten screws and bolts to avoid stripping.
3. Please use hand tools to assemble this product. Do not use power tools.

# Step 1

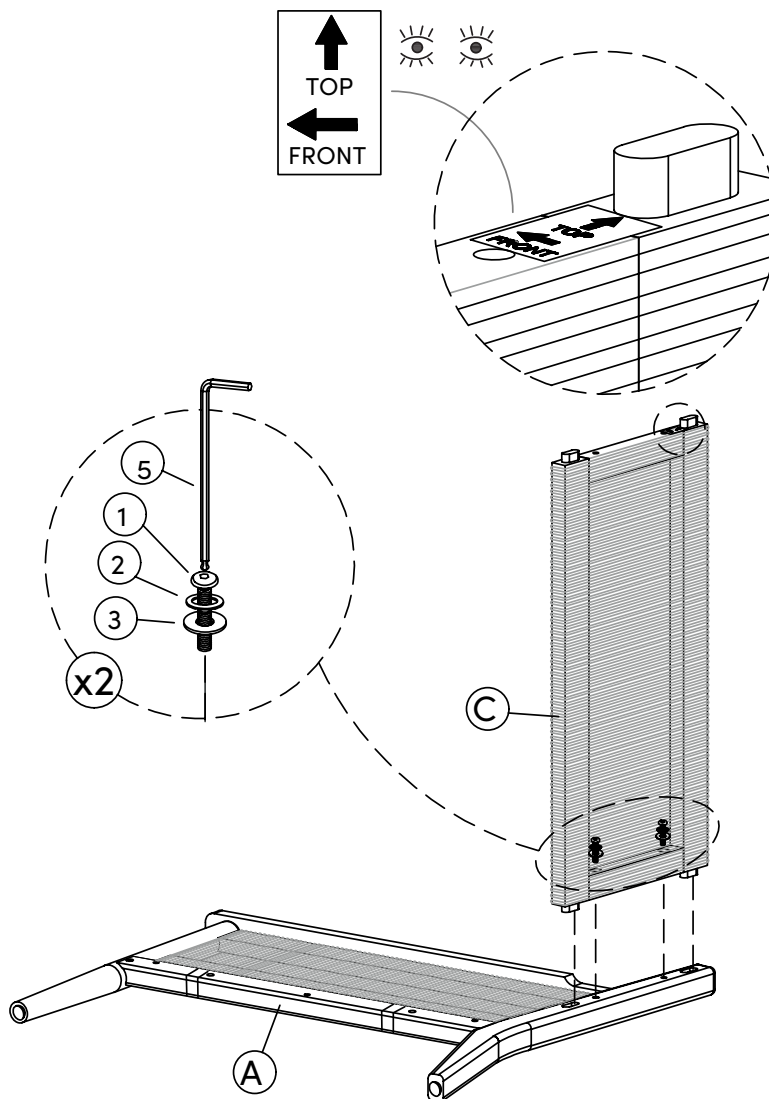
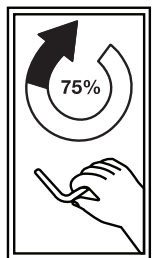
Let's get this thing fired up! Insert 8 of the wooden dowels (6) into each of the Seat Frames (D).



# Step 2

Attach the Back Frame (C) to the Side Frame Assembly (A) using a  $\text{\O}1/4'' \times 1/2''$  Flat Washer (3),  $\text{\O}1/4'' \times 1/2''$  Spring Washer (2), and a  $\text{\O}1/4'' \times 1-3/4''$  Hex Button Head Bolt (1). Make sure the Top and Front arrows are facing the correct direction.

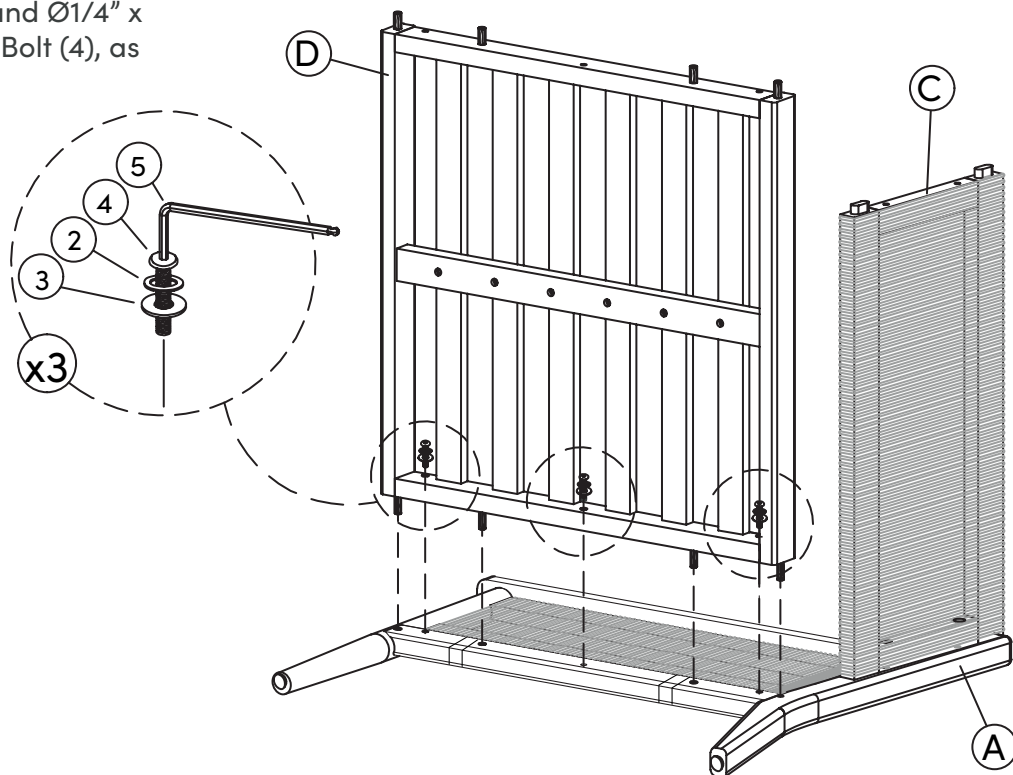
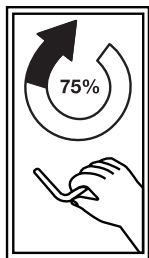
Tighten all bolts to 75%



# Step 3

Attach the Seat Frame (D) to the Side Frame Assembly (A) using a  $\text{\O}1/4'' \times 1/2''$  Flat Washer (3),  $\text{\O}1/4'' \times 1/2''$  Spring Washer (2), and  $\text{\O}1/4'' \times 1-3/8''$  Hex Button Head Bolt (4), as shown below.

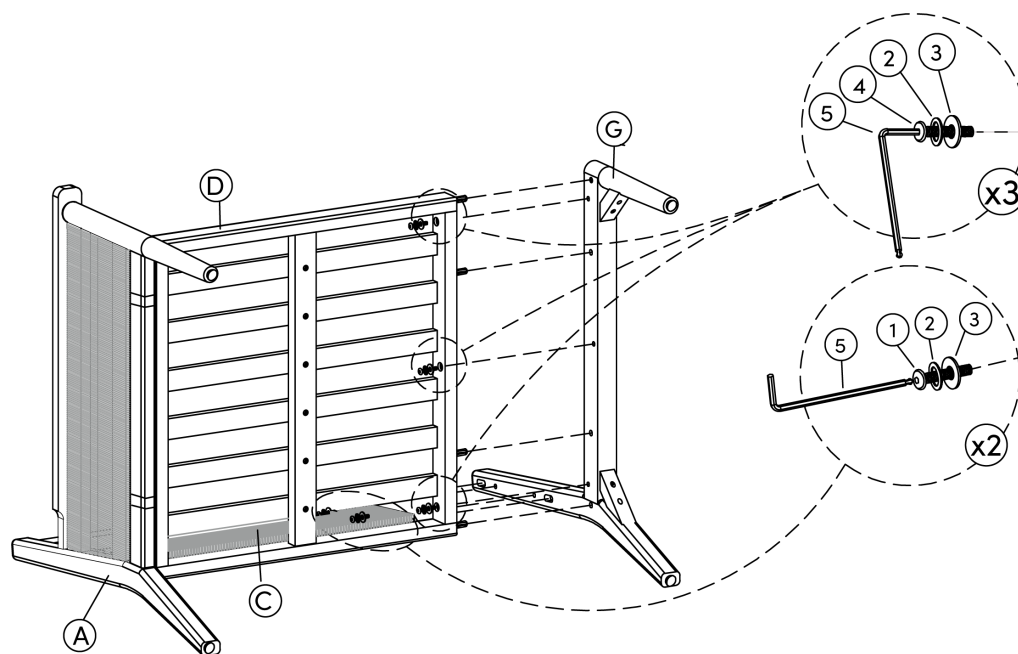
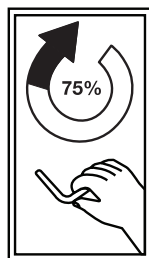
Tighten to 75%



# Step 4

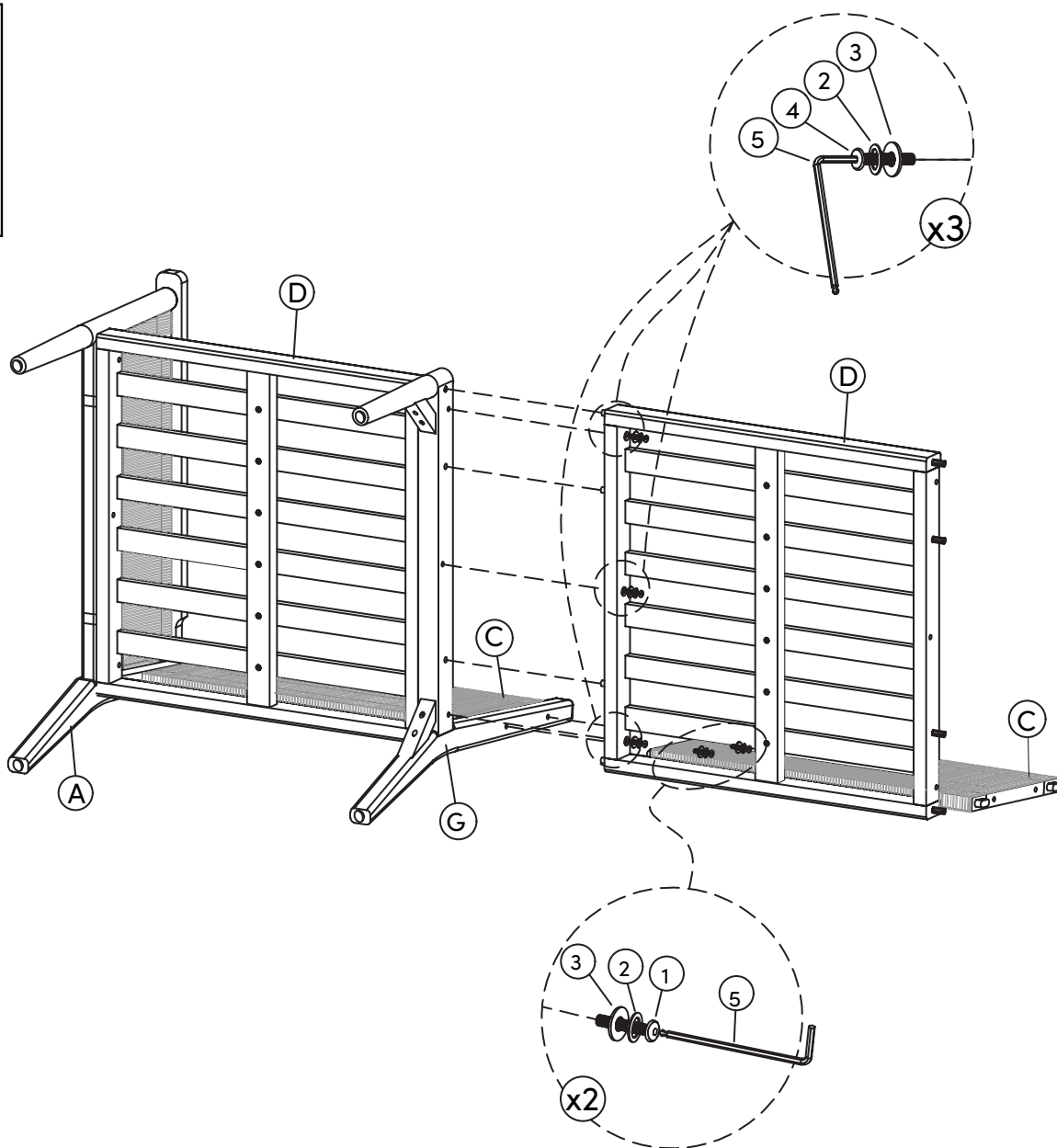
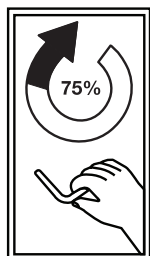
Attach the Center Leg Frame Assembly (G), as shown below.

Tighten to 75%



# Step 5

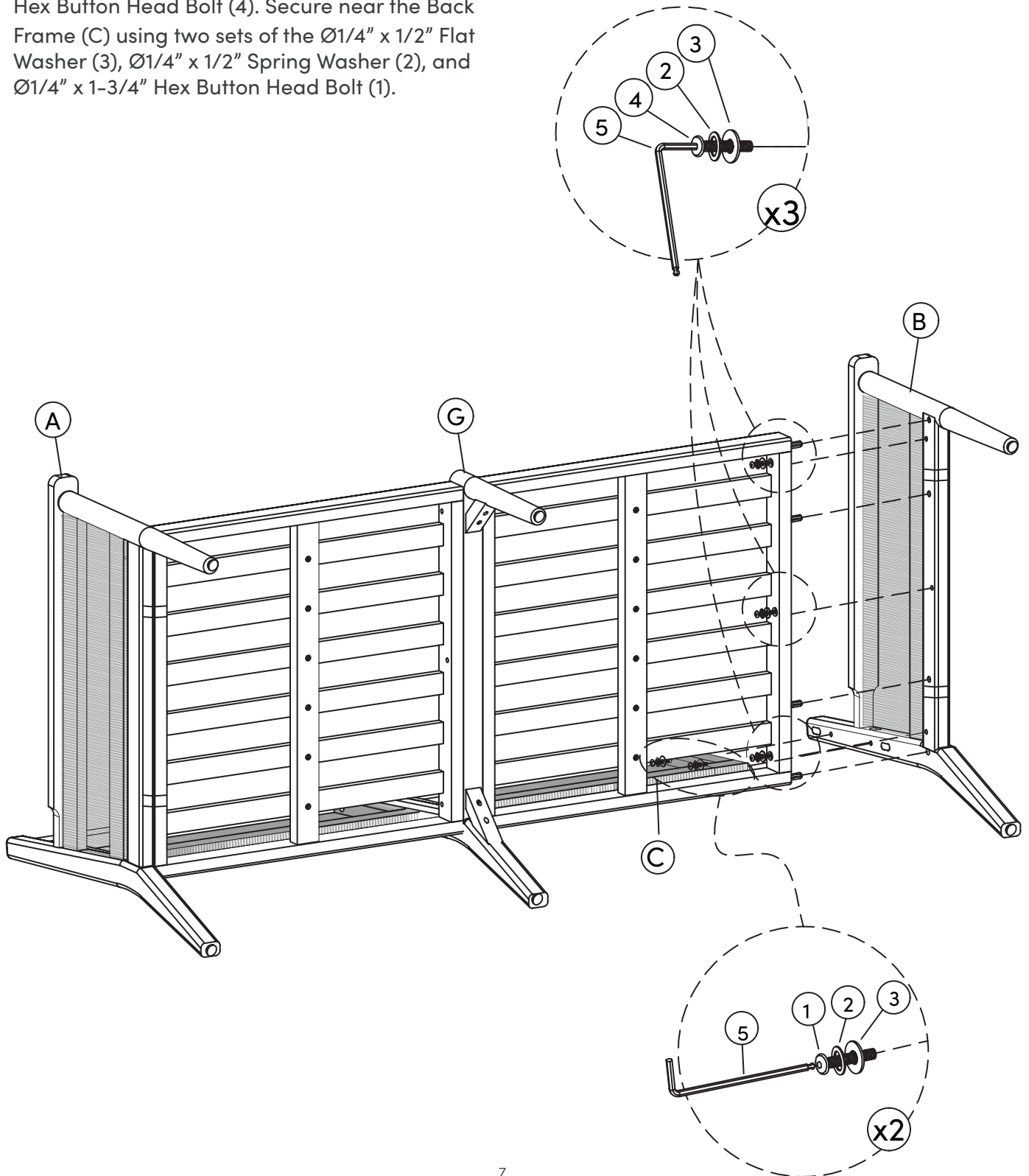
You're halfway there! Attach the other Seat Frame (D) to the Center Leg Frame Assembly (G) using three sets of the  $\text{\O}1/4'' \times 1/2''$  Flat Washer (3),  $\text{\O}1/4'' \times 1/2''$  Spring Washer (2), and  $\text{\O}1/4'' \times 1-3/8''$  Hex Button Head Bolt (4), as shown below. Secure the Back Frame (C) using two sets of the  $\text{\O}1/4'' \times 1/2''$  Flat Washer (3),  $\text{\O}1/4'' \times 1/2''$  Spring Washer (2), and  $\text{\O}1/4'' \times 1-3/4''$  Hex Button Head Bolt (1).



# Step 6

Snack break? You deserve it.

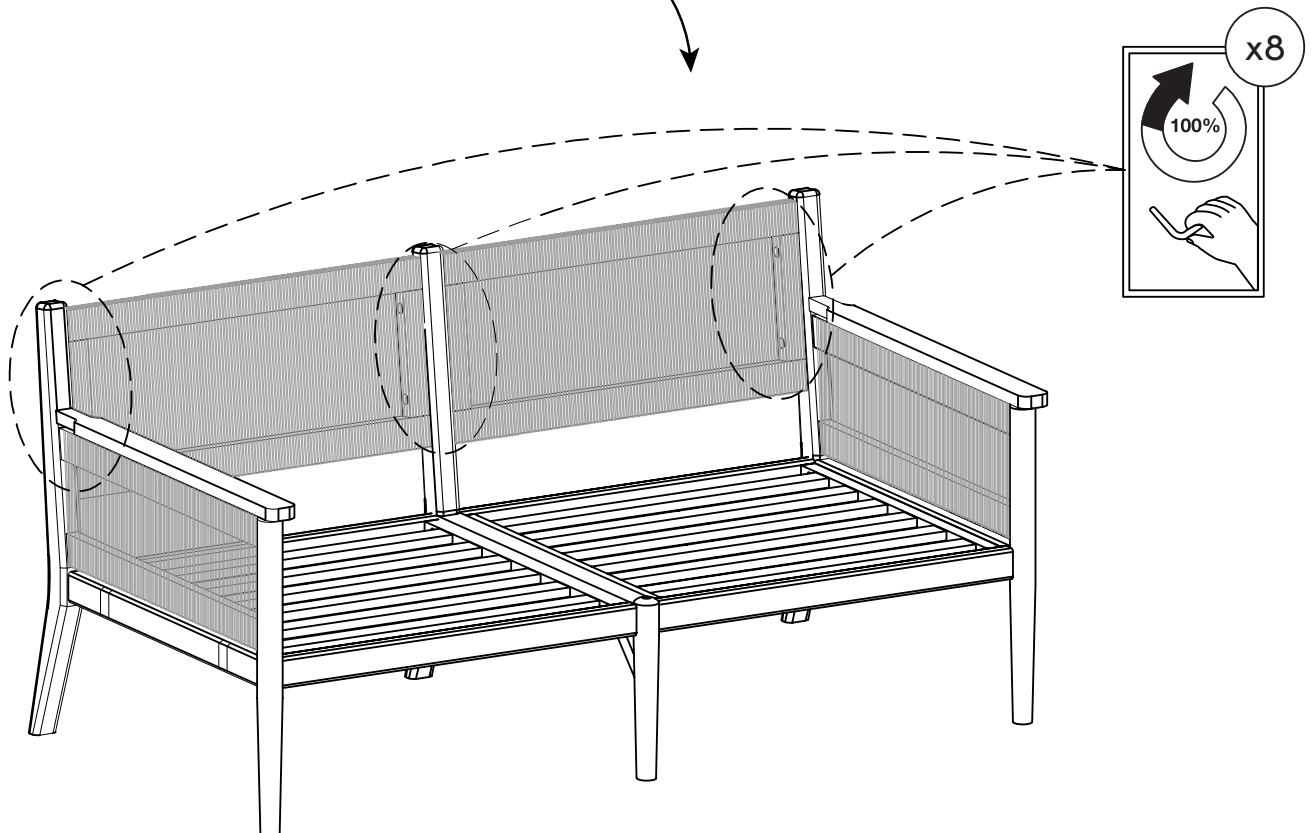
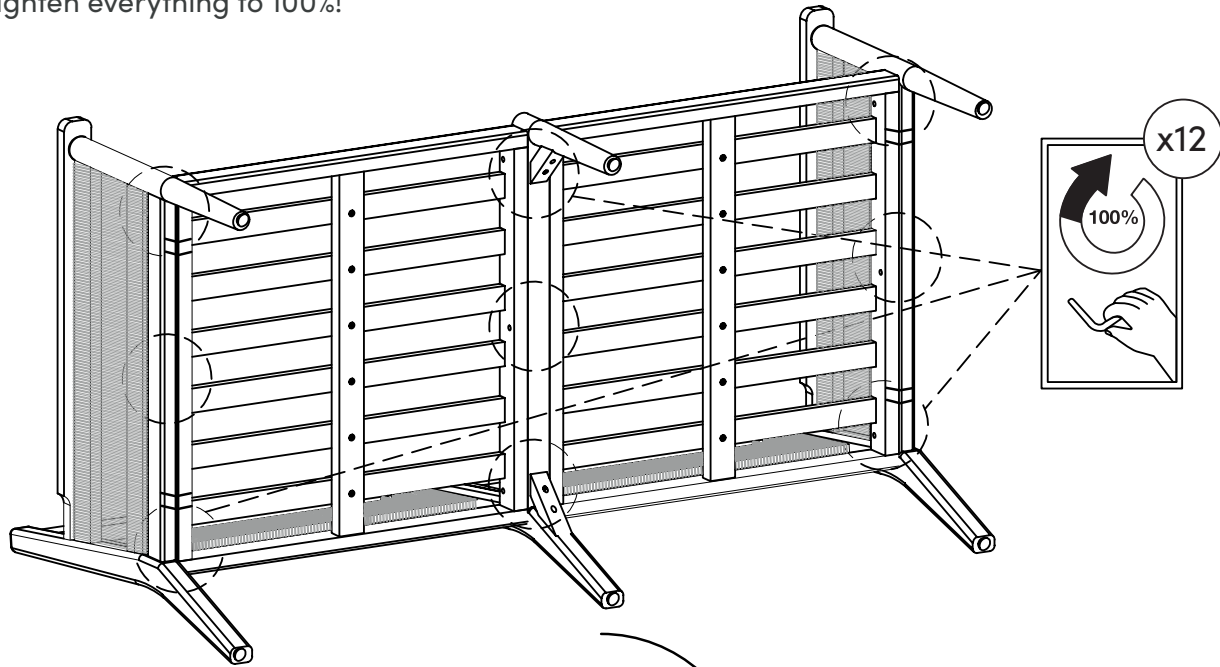
Attach the Side Frame Assembly (B) using three sets of the  $\text{Ø}1/4"$  x  $1/2"$  Flat Washer (3),  $\text{Ø}1/4"$  x  $1/2"$  Spring Washer (2), and  $\text{Ø}1/4"$  x  $1-3/8"$  Hex Button Head Bolt (4). Secure near the Back Frame (C) using two sets of the  $\text{Ø}1/4"$  x  $1/2"$  Flat Washer (3),  $\text{Ø}1/4"$  x  $1/2"$  Spring Washer (2), and  $\text{Ø}1/4"$  x  $1-3/4"$  Hex Button Head Bolt (1).



# Step 7

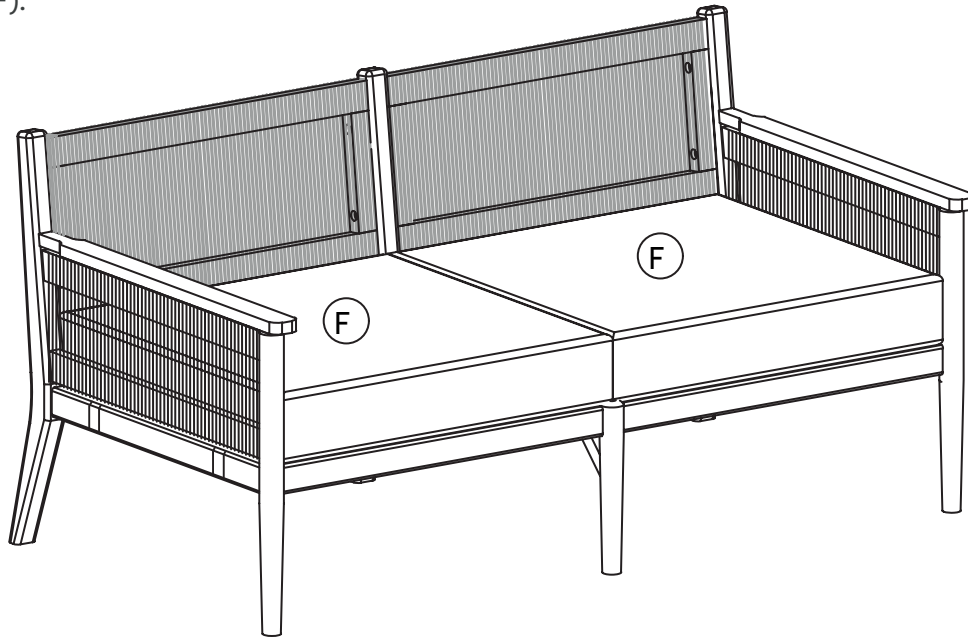
You're within minutes of sitting back, relaxing, and turning on your favorite Netflix show!

Tighten everything to 100%!



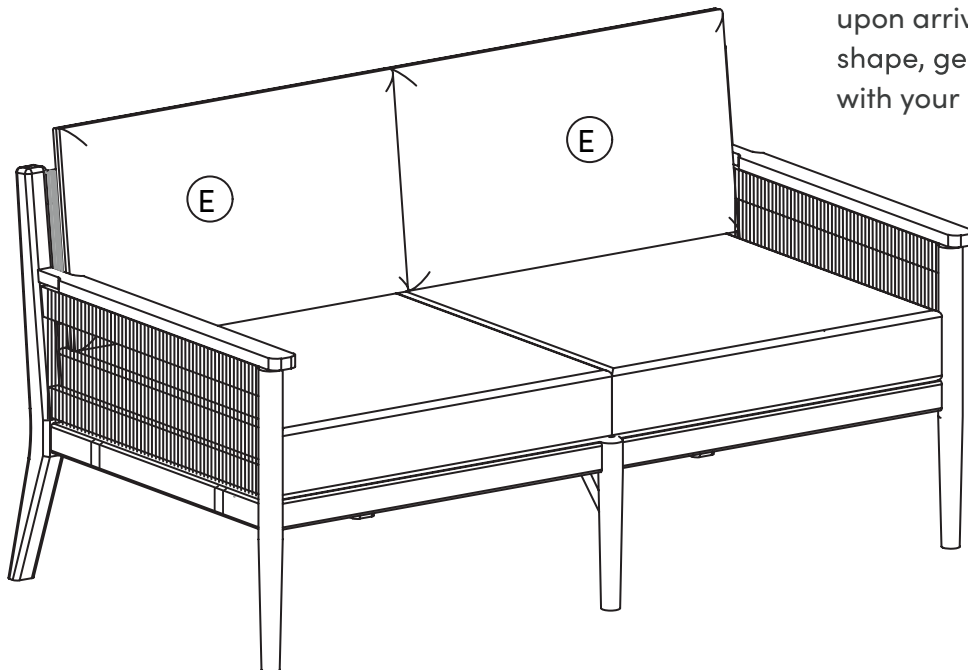
# Step 8

Almost done! Put down the  
Seat Cushions (F).



# Step 9

Slide in the Back Cushions (E).  
Cue the party music! You did  
it, have a seat!



The back cushion is vacuum-packed, which may cause it to appear flat and compressed upon arrival. To restore its shape, gently fluff the cushion with your hands.

# No heartburn, when we handle the return

Give us a call **1-866-619-1004** or shoot us a message at **help@nathanjames.com** we will issue you a free replacement with **zero hassle**.

## Our way



Give us a call

---



Replacement

---



You

## Their way



Re-package item

---



Schedule pick up

---



Track package

---



Replacement

---



You

We really don't want you to go through the hassle of re-packaging your item and sending it back, because let's be honest...nobody has time for that.

# Safety first, fun later

We want your product to last as long as possible, so we recommend that you tighten the screws 2 weeks after assembly and for added safety check the tightness of all screws every 2 months.

For proper care and treatment, please check our website at [NathanJames.com/products](http://NathanJames.com/products)

## Safe use of this product starts with you.

Use this product responsibly with the primary concern for your safety. Follow assembly instructions carefully and inspect product upon receipt and each use.

Nathan James and its parent companies cannot be held legally responsible for any injuries or death resulted from failure to follow instructions or improper use of this product.

## Do not modify the structure of this product in any way.

Our products have been tested to meet specific safety measures as they were originally intended to be sold. Any modifications will present the risk of creating significant safety issues which NJ will not be responsible for.

## Proper use

- DO NOT** use for commercial purposes
- DO NOT** frolic on loveseat
- DO NOT** use loveseat as foot stool
- DO NOT** leave spilled liquid on loveseat
- DO NOT** use loveseat if damaged
- DO NOT** make temporary repairs

# We are only in business if you're happy

For starters, thanks for being you.

☎ Toll-free at 1-866-619-1004

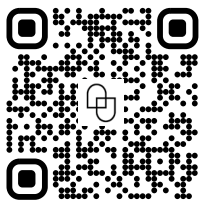
✉ Help@nathanjames.com

🌐 NathanJames.com/help

We do our best to ensure your furniture arrives without any problems, but occasionally mistakes happen—as humans we are imperfect beings. In the event that a part is damaged or missing, we will be more than happy to provide you with replacement part(s) for free.

## Warranty

This product comes with a lifetime warranty from the date of purchase. Please use your phone to scan the QR code to register your product or visit <https://goo.gl/i9dk3q>



### Did we do alright? Please spread the love!

If you are happy with your product, tell your friends and family about us or even better leave us a review online. Spreading the word gives us the opportunity to make more people happy and keep our prices low for your next purchase.

*Brooklyn Burdon*

Founder, Nathan James