



---

#### LIGHT SOURCE DATA

- 40W Max E27 ES (required)
- Lamp direction - Downwards
- Lamp shape - Standard
- Non-dimmable
- Energy range: A++, A+, A, B, C, D, E

---

#### DIMENSION DATA

- Height 300mm
- Diameter 165mm
  
- Weight .61kg

---

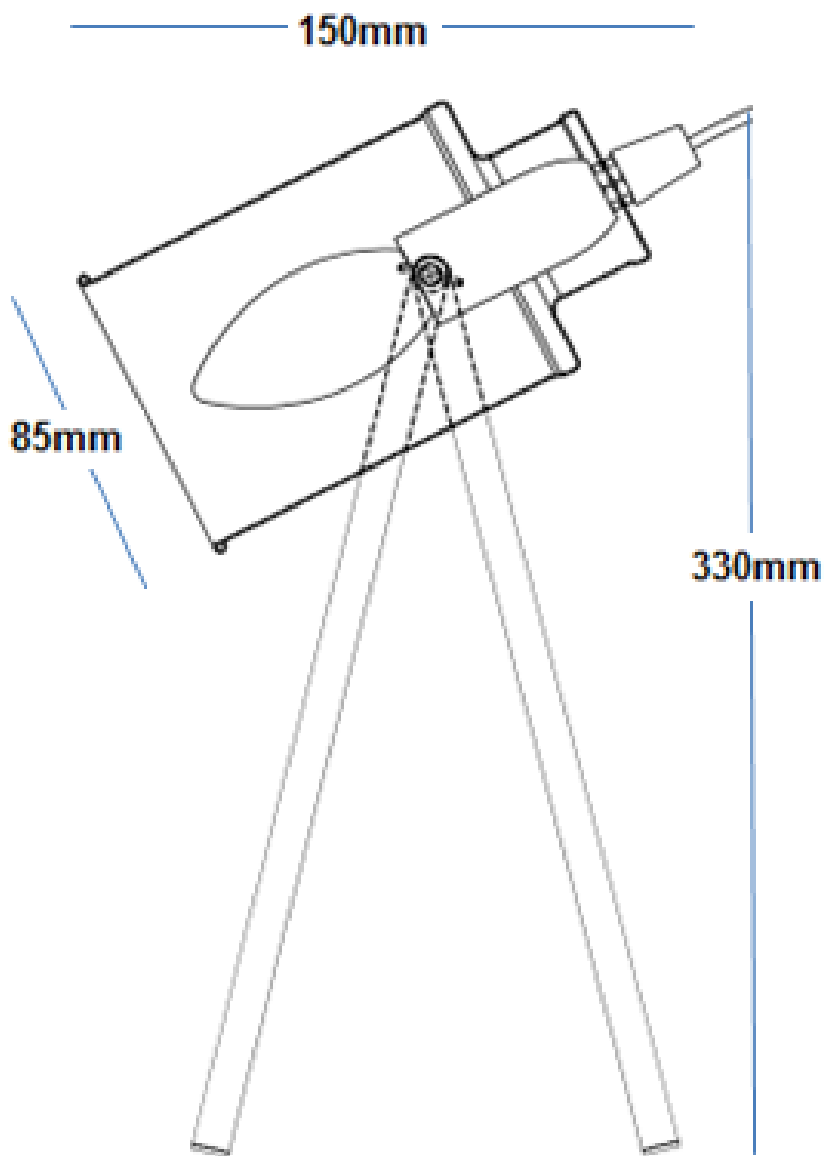
#### SPECIFICATION

- Manufacturer warranty for 2 years from date of purchase
- Antique brass plate
- IP20
- In-line On/Off Switch
- Class II - Double Insulated, No Earth
- 240V
- Assembly required? No
- CE Marking, Energy Efficient, Energy Saving

---

#### CERTIFICATION





CERTIFICATION

---

