



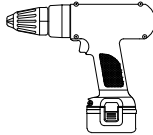
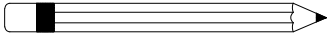
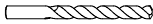
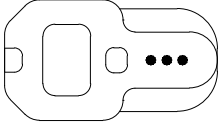
# Assembly Instructions

## Harmonie Floating Shelf

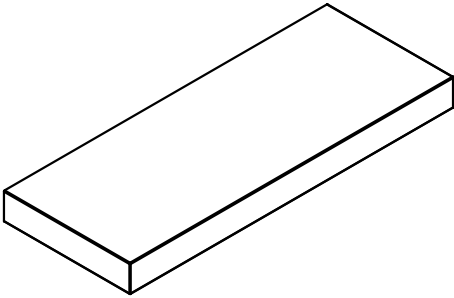
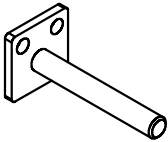

Before assembling, please read this instruction carefully and keep for future reference:

1. Refer to parts inventory for guidance and ensure you have all pieces before starting
2. Please check the condition of all the parts. If any damage or lost parts is found, please contact us immediately.
3. Be careful of the heavy board.
4. Handle with care and place all parts on a soft, clean and flat surface such as a carpet to prevent damaging/scratches.
5. Recommended # number of people needed for assembly: 1

### Tools required:

Screwdriver: 	Level: 
Power drill: 	Pencil: 
Drill bit 1/8": 	Stud Finder: 

### List of parts/hardware:

<p style="text-align: center;"><b>A: Shelf</b></p>  <p style="text-align: center;">1pc</p>	<p style="text-align: center;"><b>B: Brackets</b></p>  <p style="text-align: center;">2pcs</p>	<p style="text-align: center;"><b>C: Screws</b> 4x60</p>  <p style="text-align: center;">4pcs</p>
--	---	--

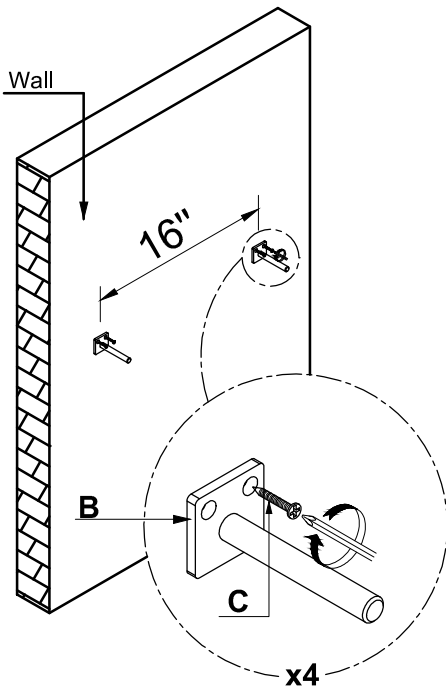
## Preparing for installation

### **Note:**

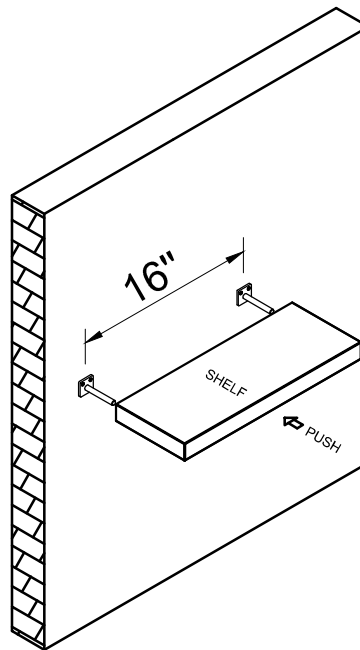
This shelf is made from solid wood, it must be installed on the studs.

- Use stud finder to locate studs.
- While holding the brackets (A) against the wall, use a pencil to mark the 1st bracket (A) holes on the wall
- Use a level to ensure that the second bracket (A) holes is level, use a pencil to mark the bracket (A) holes on the wall
- 16" is the distance between center of the 1st bracket and center of the 2nd bracket
- Ensure that the bracket holes are upside

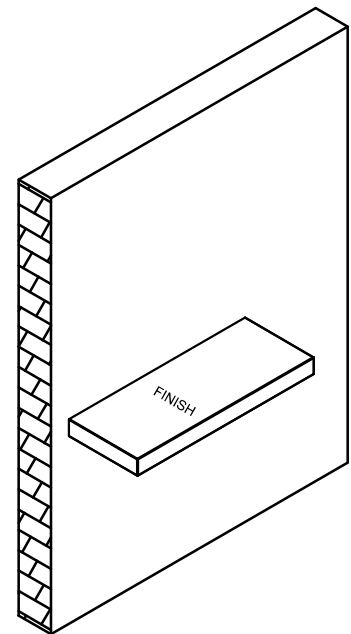
## Installation Step



**Step 1:** Install the brackets (B) on the wall with screws (C). (Distance from center to center of brackets is 16")



**Step 2:** Slide shelf (C) onto the brackets (B)



Finished product

Tube brackets have built-in safety design feature. Weight rating are for even distributed load. Maximum load capacity is achieved by mounting screws into studs or cement walls. Note: If mounting to cavity wall, it is advised to mount screws into a stud or studs where possible.

Length of Shelf	24"	30"
MAX Load Capacity	20 lbs	20 lbs

**Disclaimer:** Install shelf units following instructions provided. We and its related companies are not responsible for injury or damage resulting from incorrect installation or use. Products are for use only as wall-mounted shelves and are not designed for any different purposes.