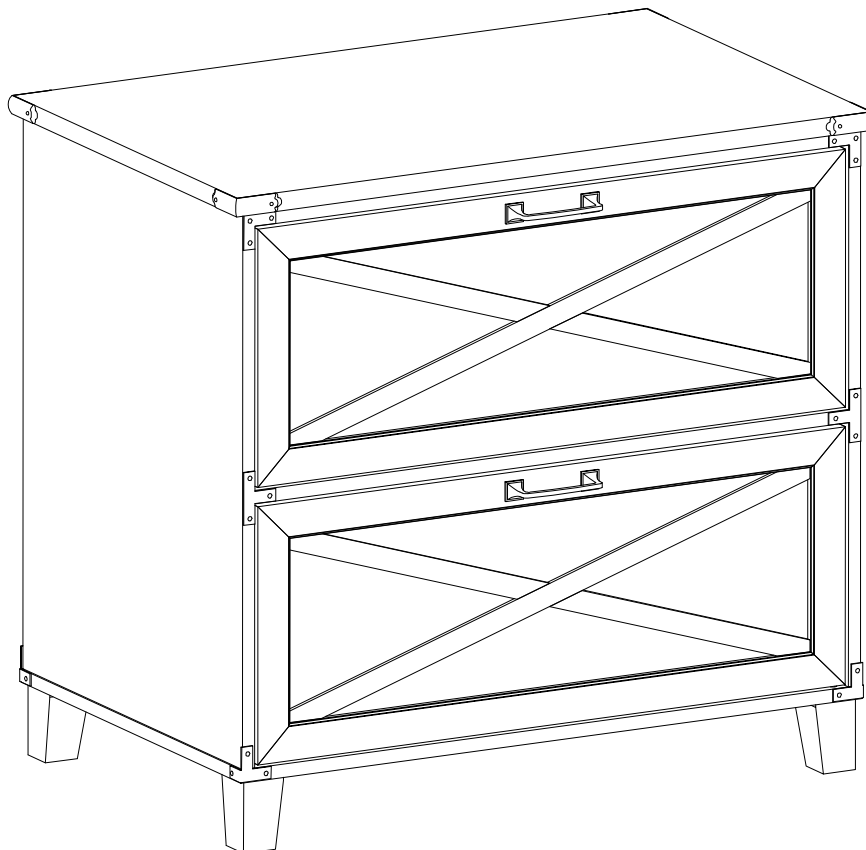


Important Safety Instructions:

- Please read all instructions before beginning assembly
- Please make sure receive all the parcels to start the assembly
- For your safety and convenience, assembly by two people is recommended
- Use the parts and hardware lists to identify and separate each of the components included
- Save all packing materials until assembly is completed to avoid the accidental discarding of smaller parts or hardware



THANK YOU FOR PURCHASING

PARTS LIST

1 X1

2 X1

3 X1

4 X1

5 X2

6 X1

7 X2

8 X2

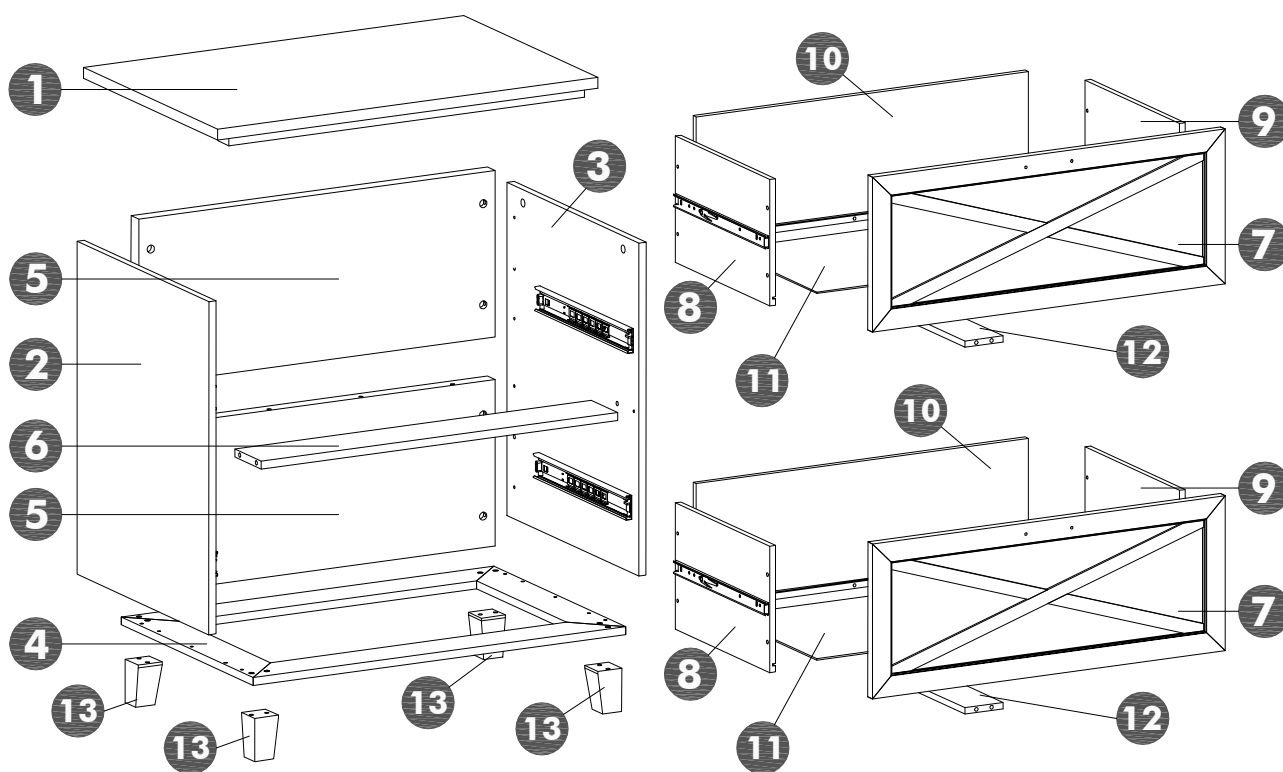
9 X2

10 X2

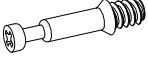





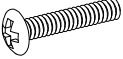
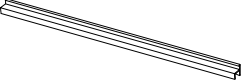
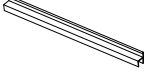

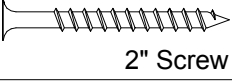
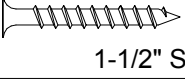
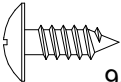
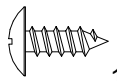

11 X2

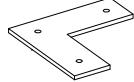
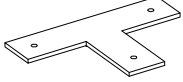

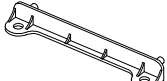




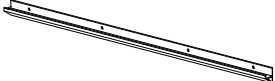
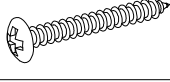
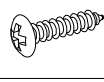
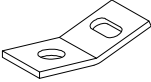
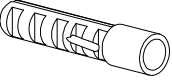

12 X2

13 X4



HARDWARE LIST

Name	Part	Qty.	Spare
A		14	1
B		14	1
C		14	1
D		4	
E		4	
F		2	
G		4	1
H		2	
I		4	
J		4	
K	 2" Screw	14	
L	 1-1/2" Screw	12	
M	 9/16" Screw	8	
N	 1/2" Screw	16	1
O		24	2

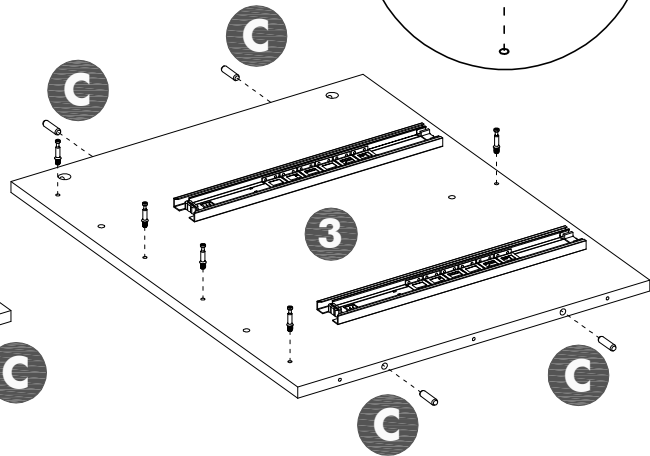
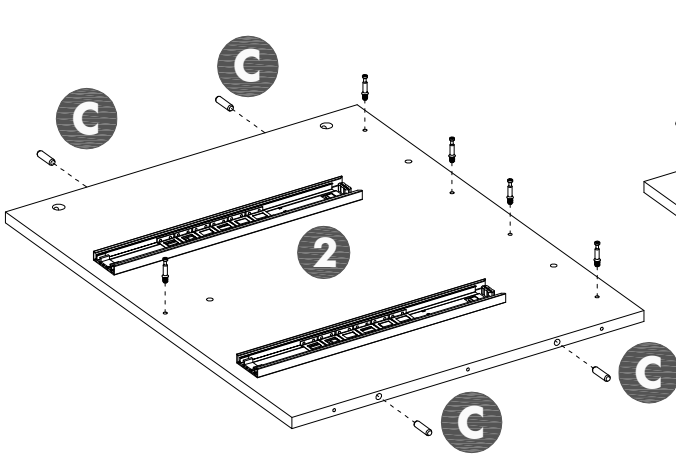
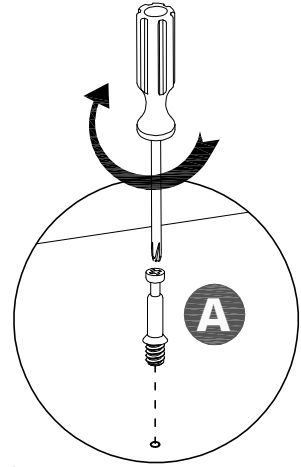
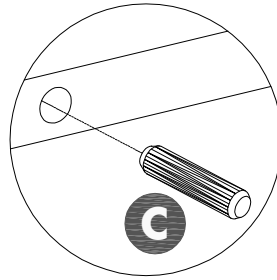
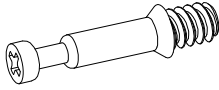
Name	Part	Qty.	Spare
P		2	
Q		2	
R	 5/6" nail	8	2
S		4	
T		4	
V		4	
W		2	
X		2	
Y		2	
U1		2	
U2		2	
U3		4	
U4		2	
U5		2	

STEP 1

C x8pcs



A x10pcs

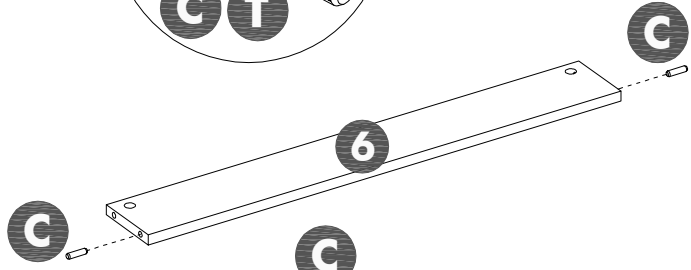
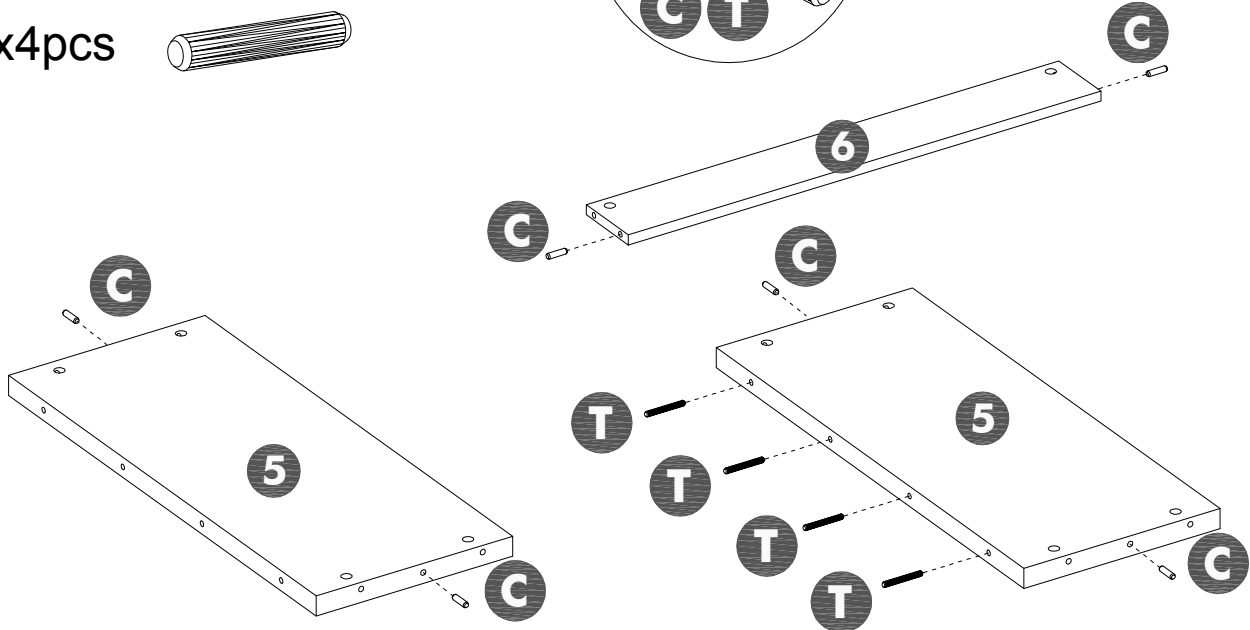
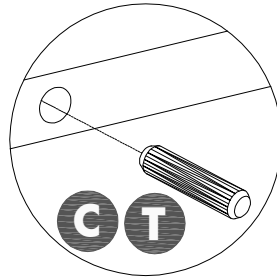
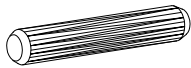


STEP 2

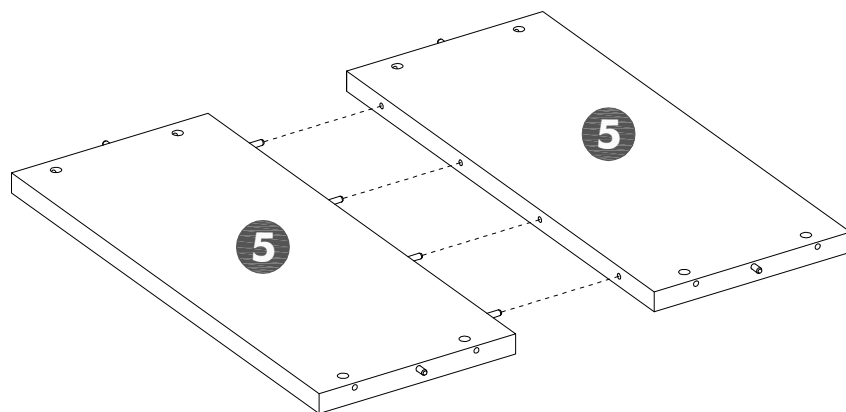
C x6pcs



T x4pcs

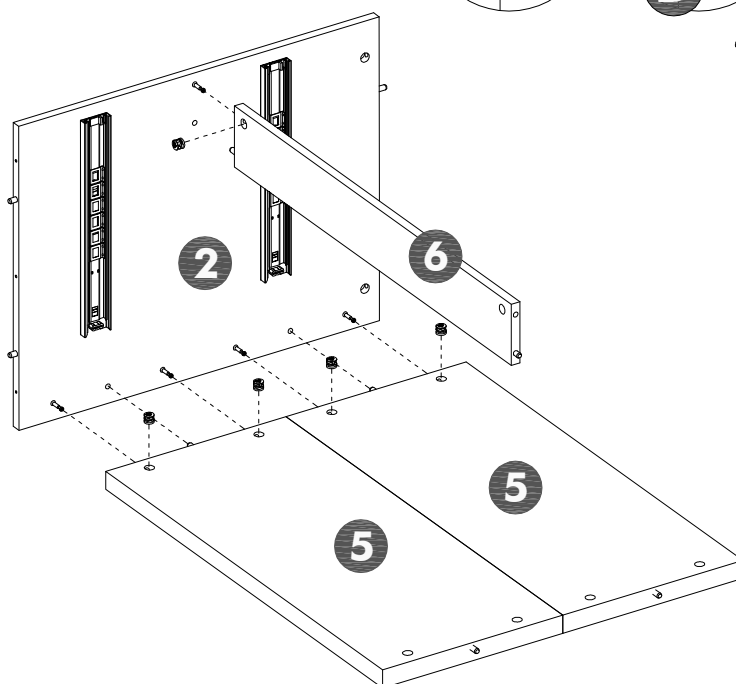
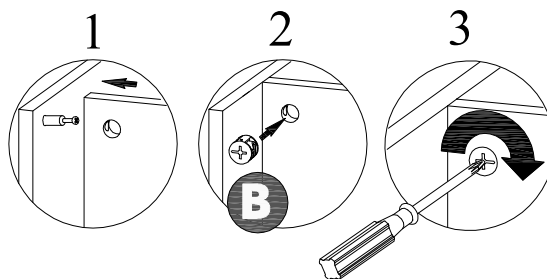
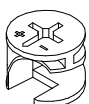


STEP 3



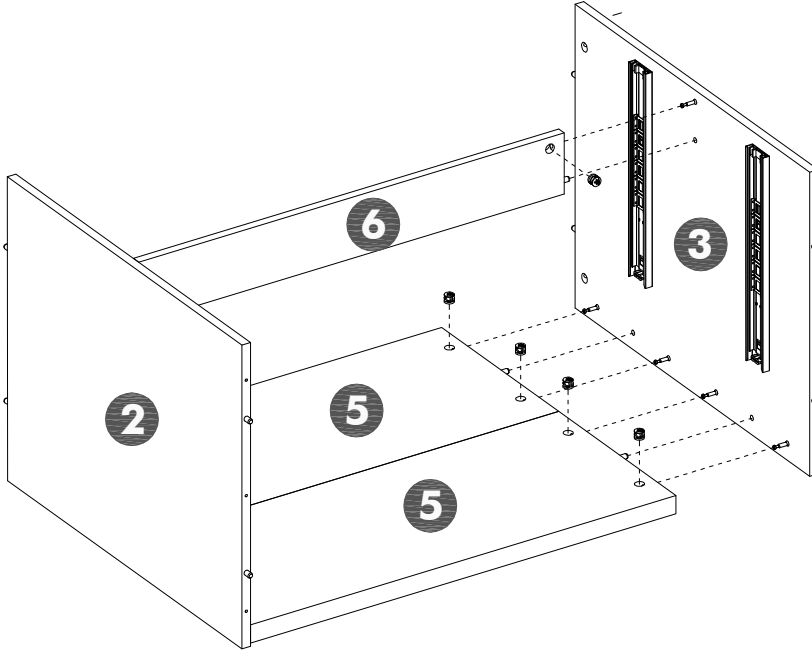
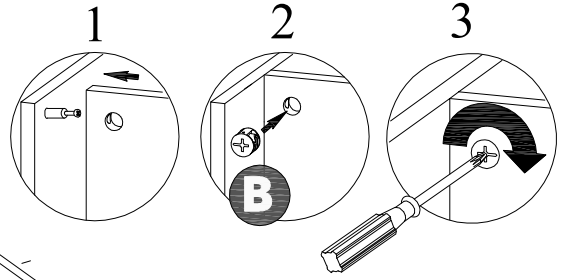
STEP 4

B x5pcs



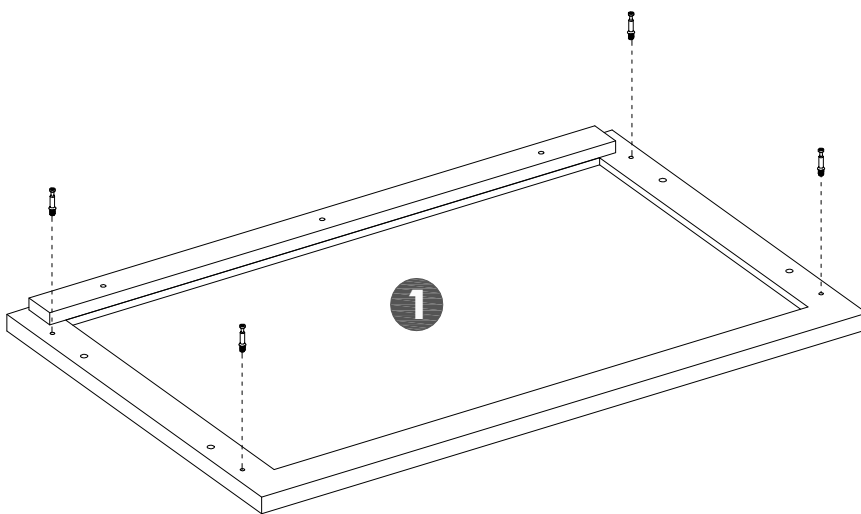
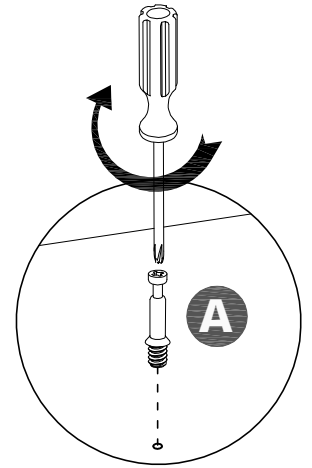
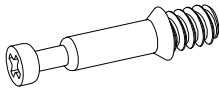
STEP 5

B x5pcs



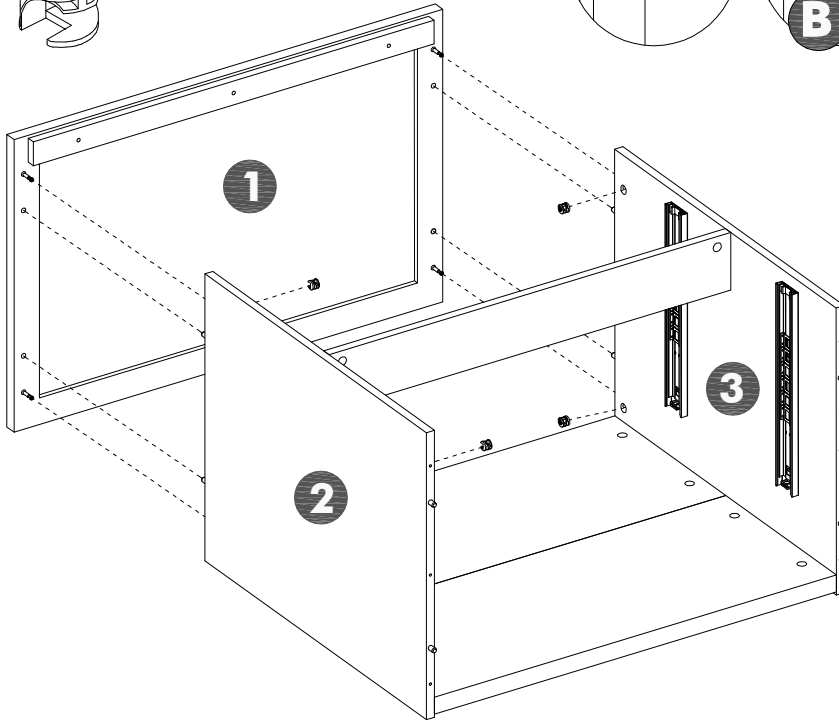
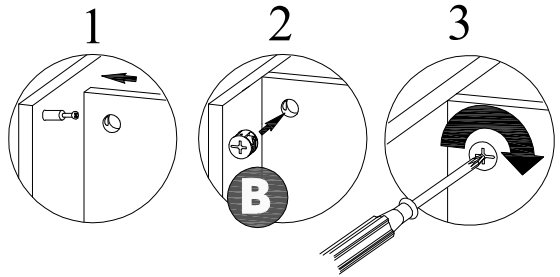
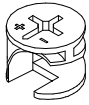
STEP 6

A x4pcs



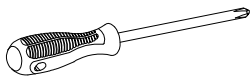
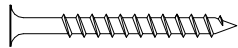
STEP 7

B x4pcs

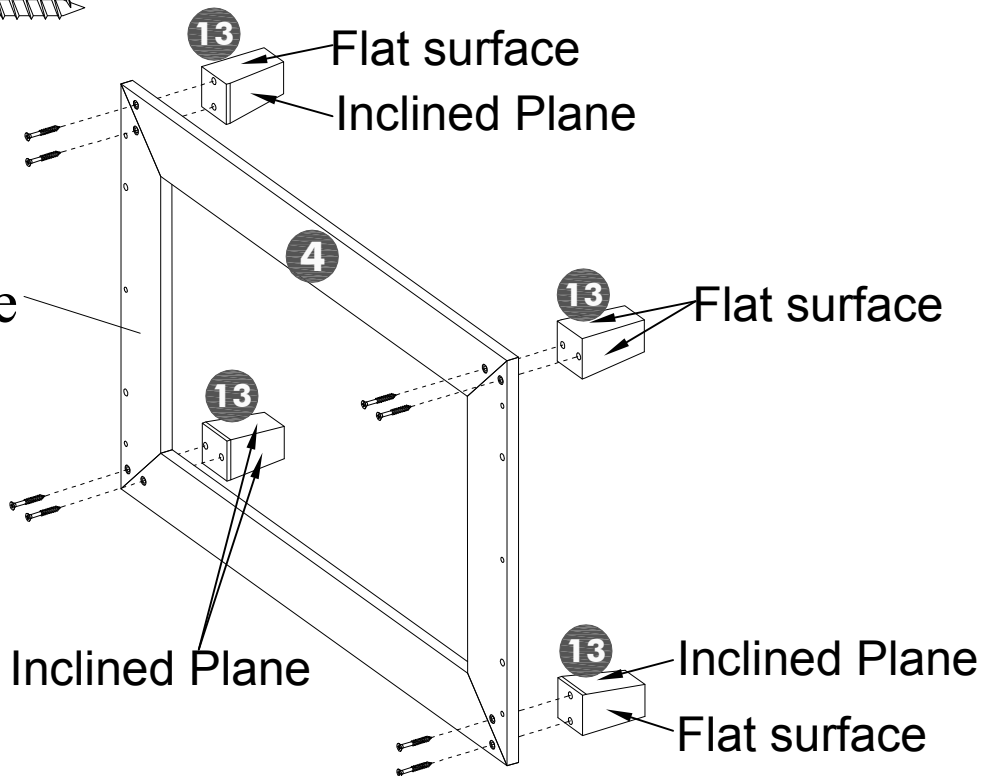
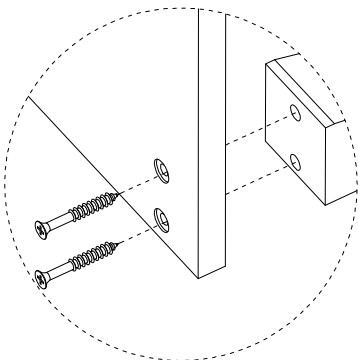


STEP 8

K x8pcs

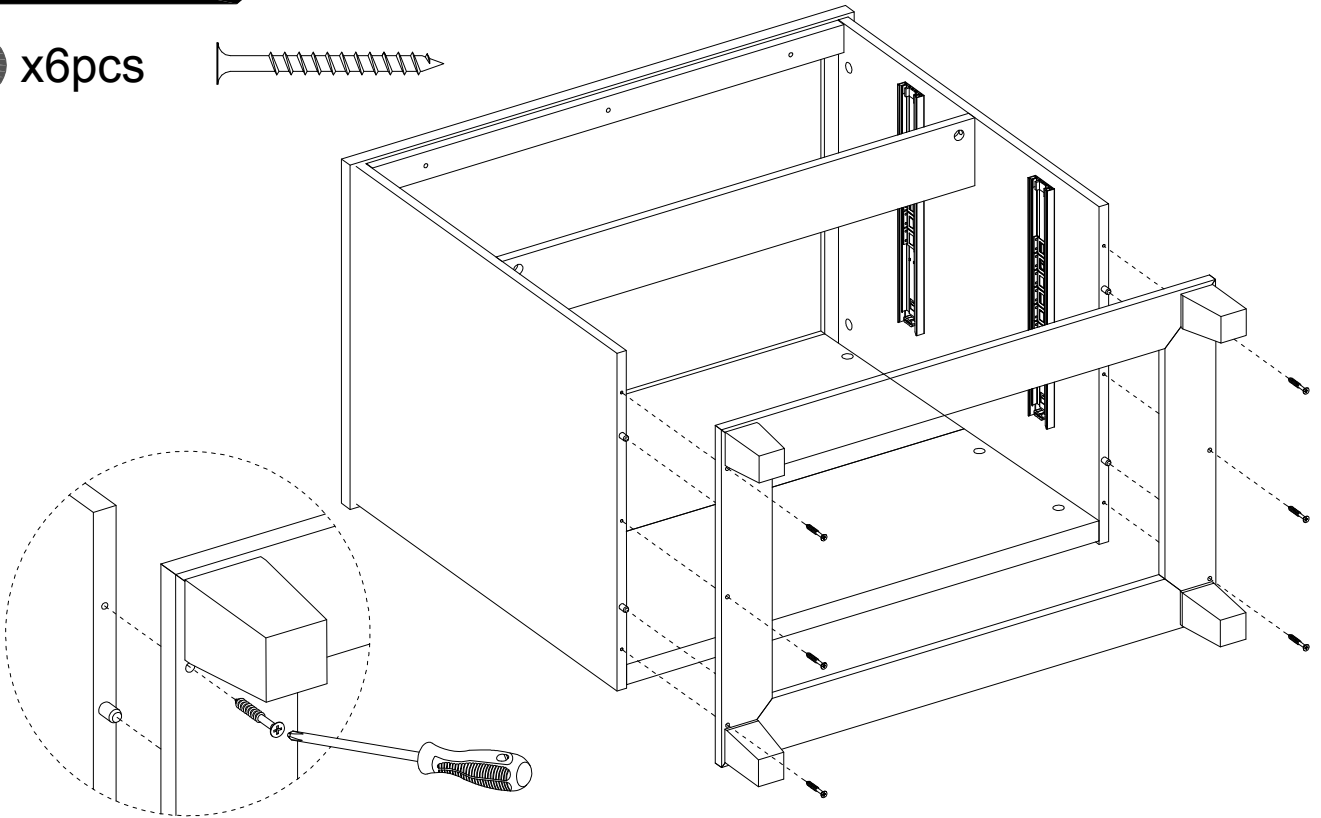
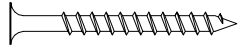


Finished Side



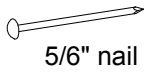
STEP 9

K x6pcs

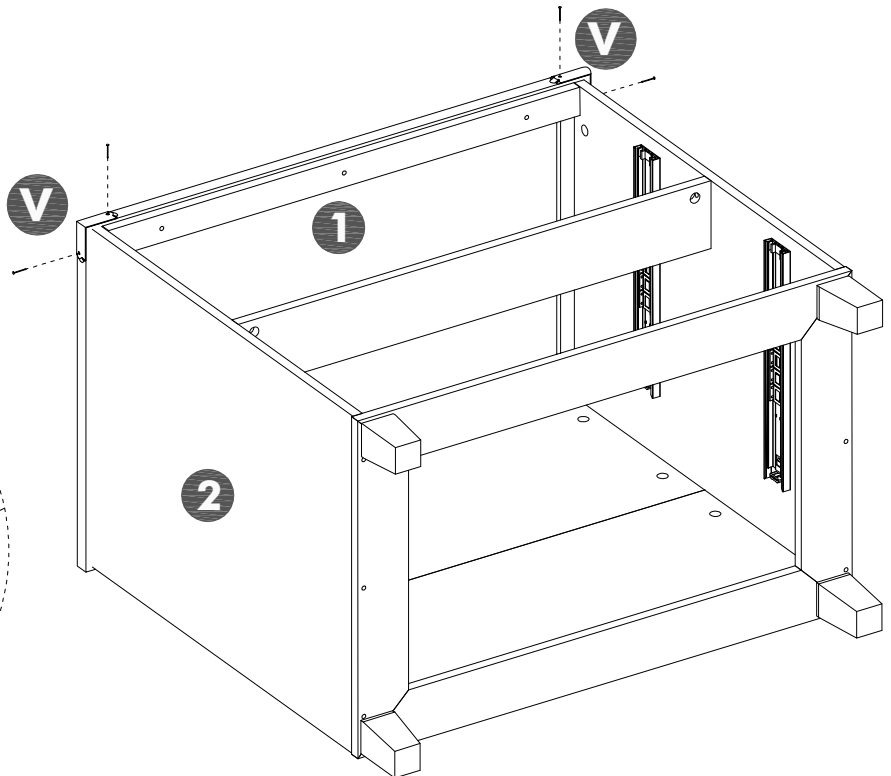
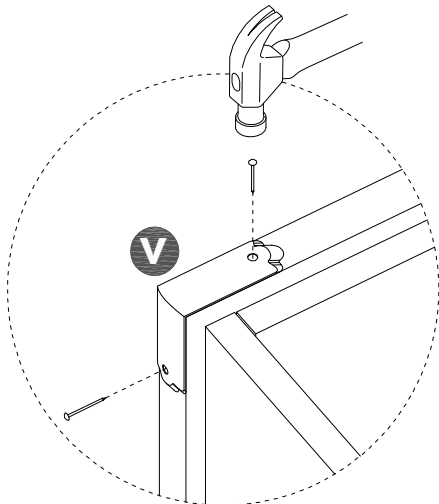
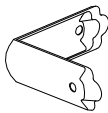


STEP 10

R x4pcs



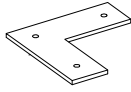
V x2pcs



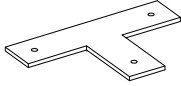
STEP 11

Peel off the adhesive sticker's protective paper and bond it onto the designated position before secure with nails.

P x2pcs



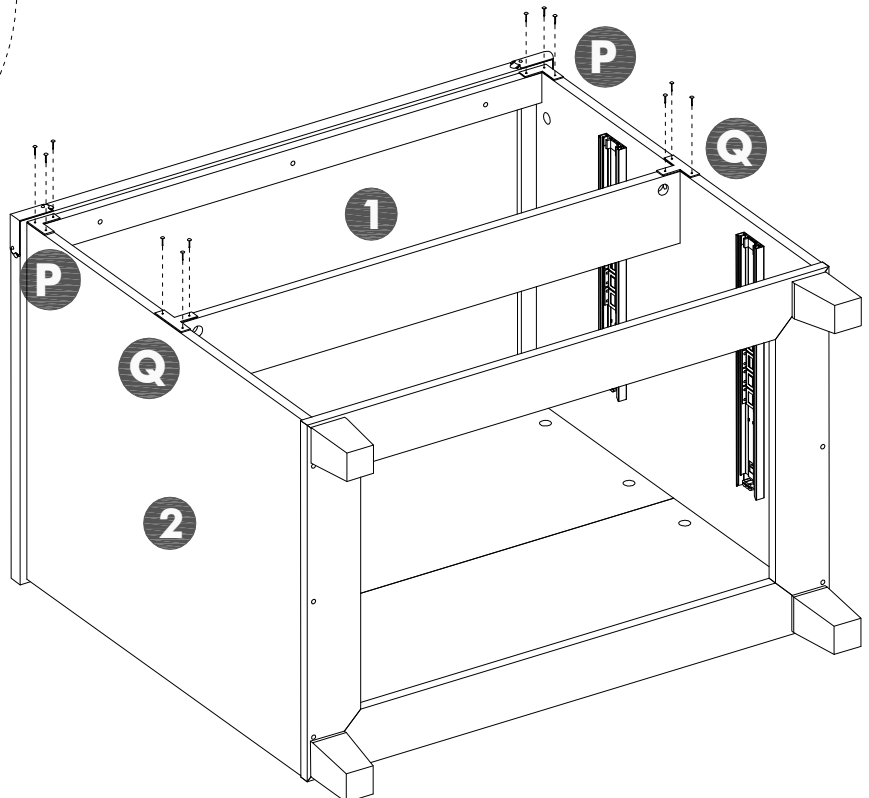
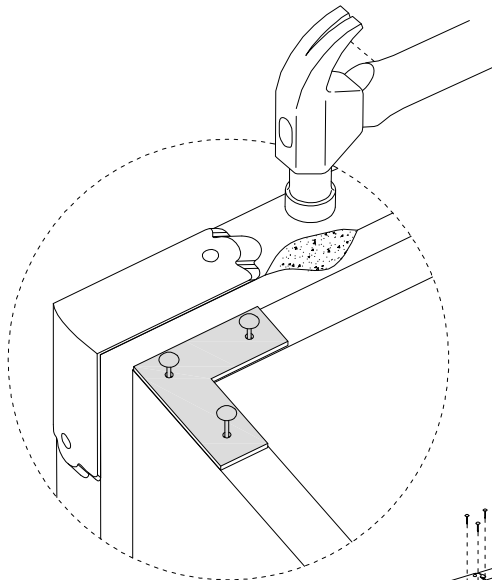
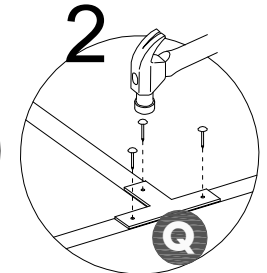
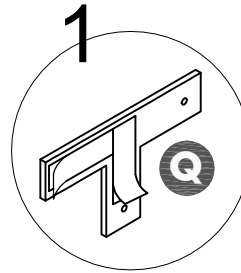
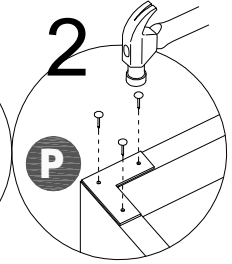
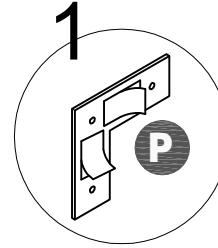
Q x2pcs



⊙ x12pcs



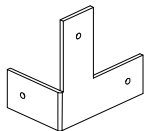
To avoid the top panel gouged by hammering, Please secure and hammering nails with careful.



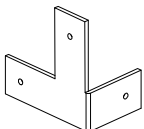
STEP 12

Peel off the adhesive sticker's protective paper and bond it onto the designated position before secure with nails.

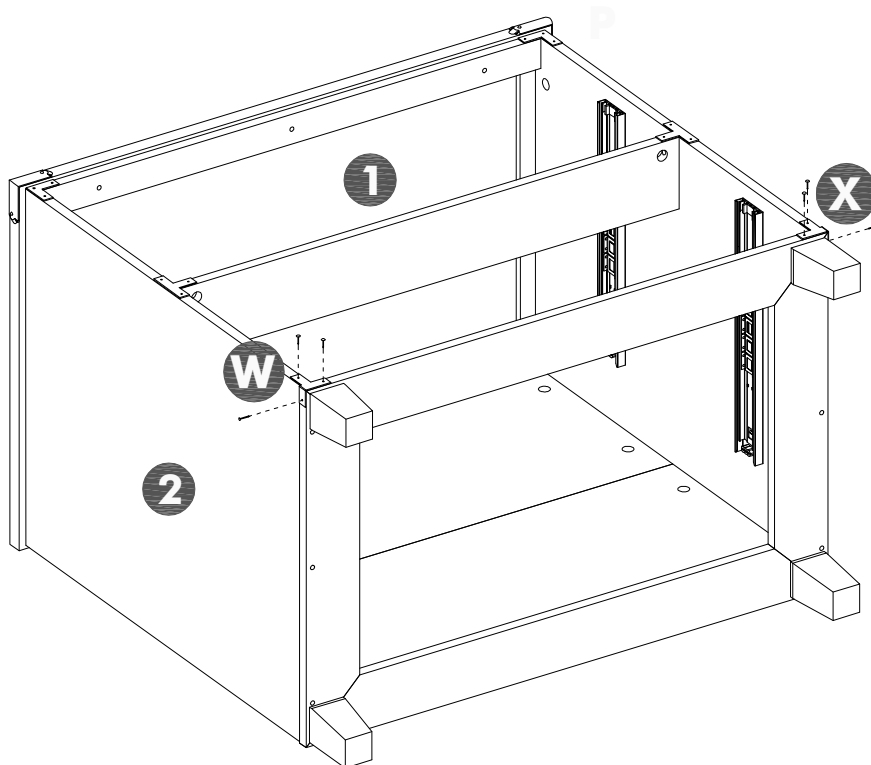
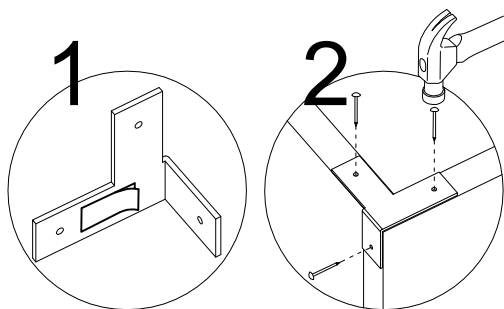
W x1pcs



X x1pcs



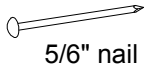
O x6pcs



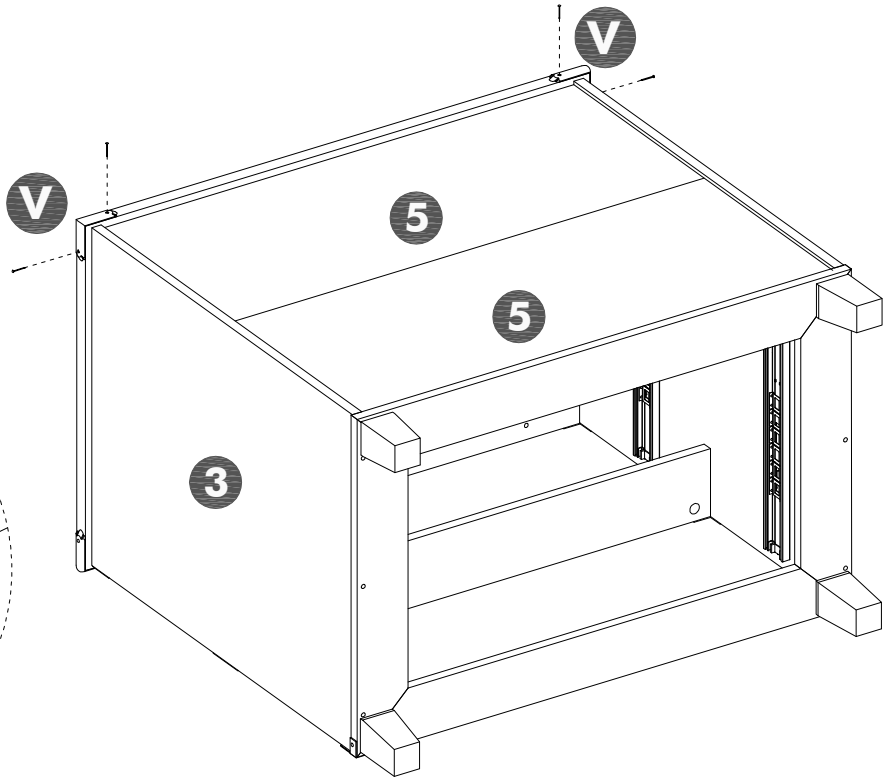
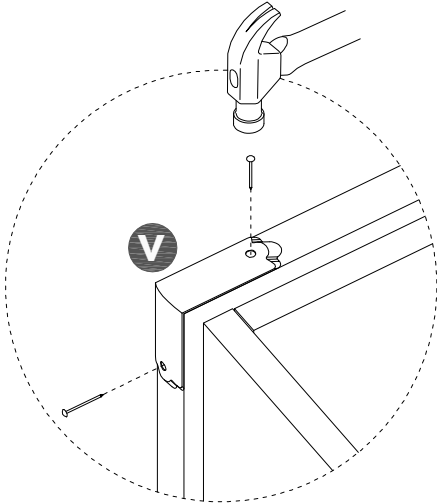
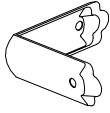
STEP 13

With assistant carefully flip the other side.

R x4pcs

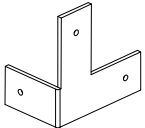


V x2pcs

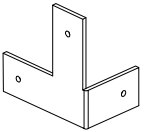


STEP 14

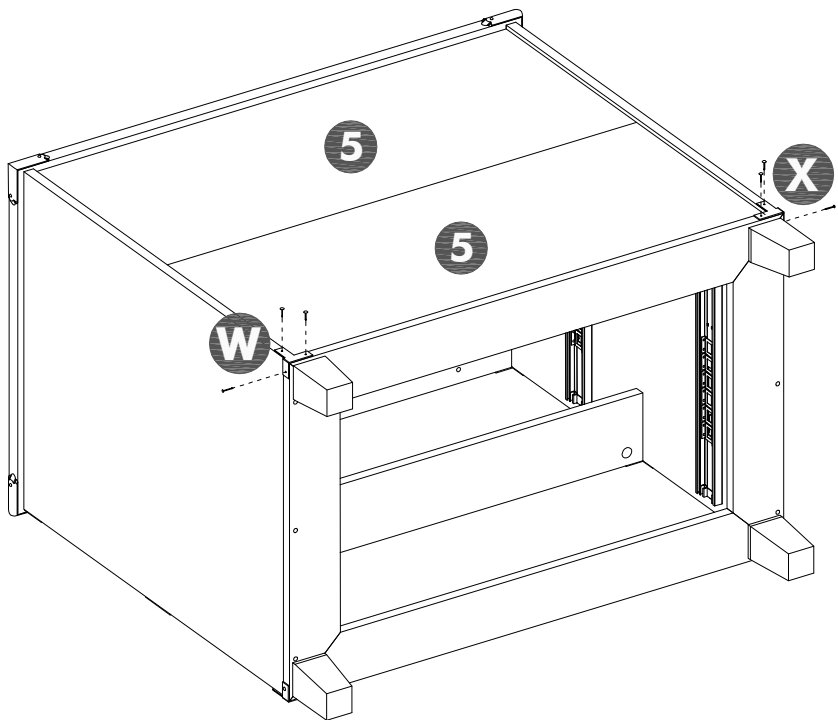
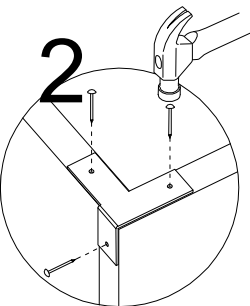
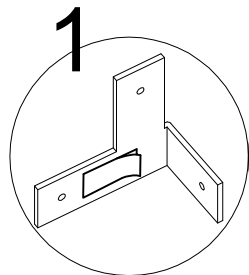
W x1pcs



X x1pcs



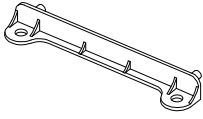
O x6pcs



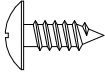
Peel off the adhesive sticker's protective paper and bond it onto the designated position before secure with nails.

STEP 15

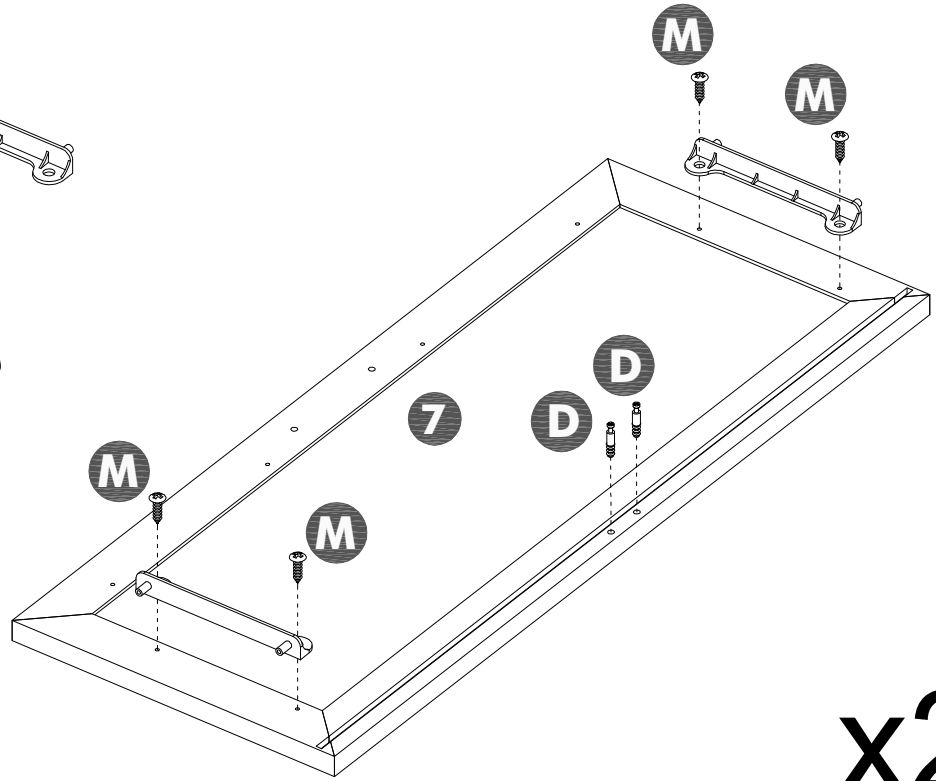
S x4pcs



M x8pcs



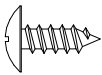
D x4pcs



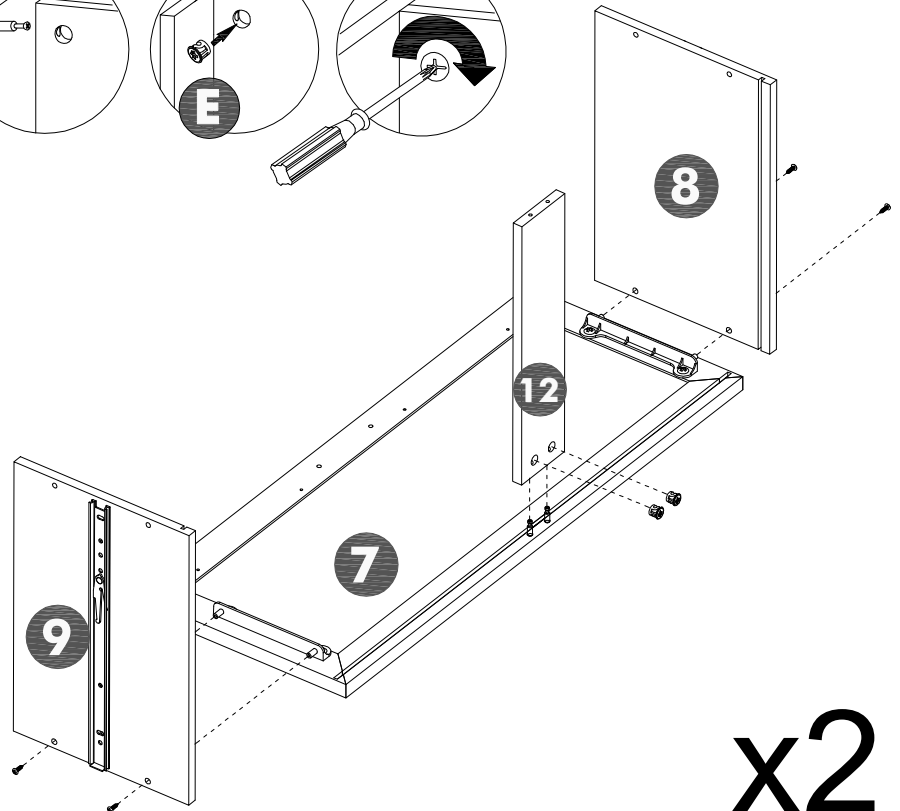
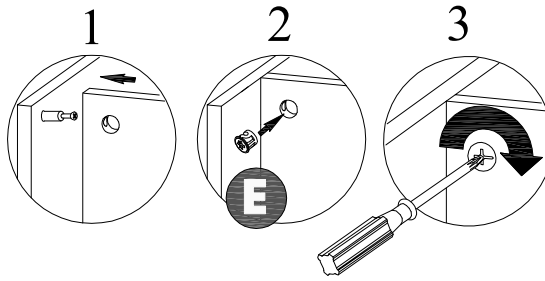
x2

STEP 16

N x8pcs

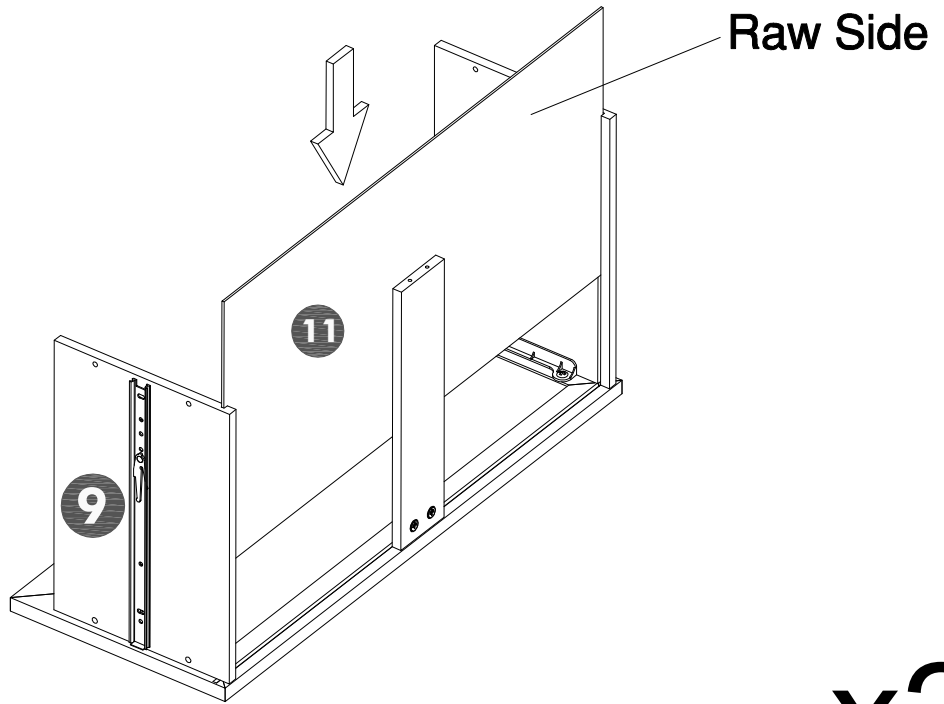


E x4pcs



x2

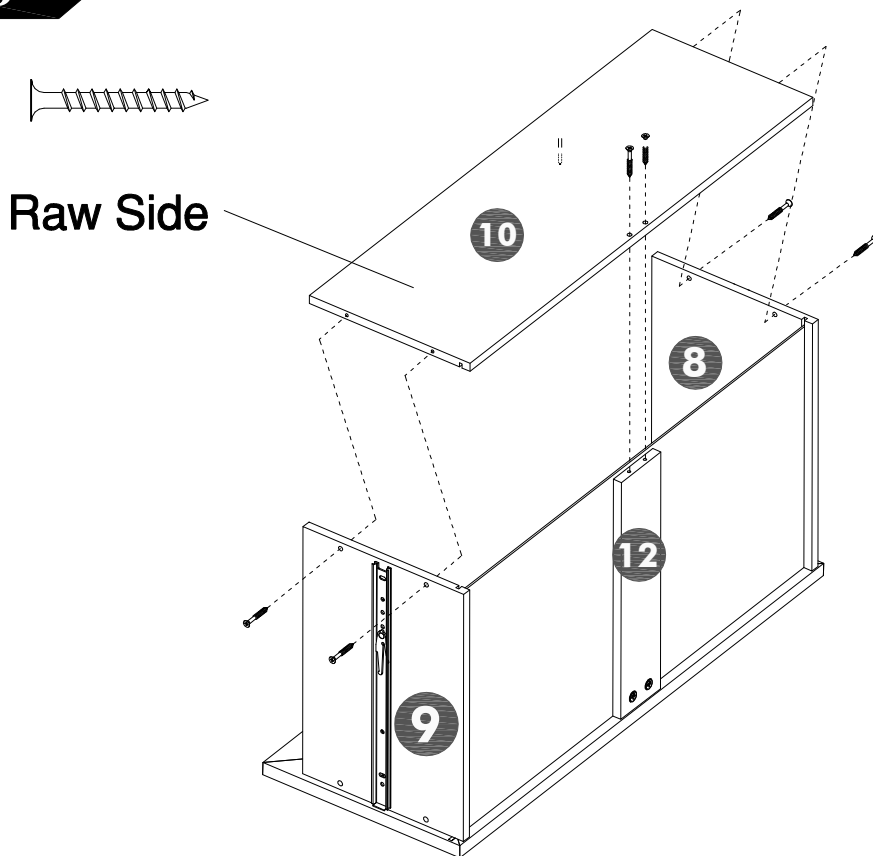
STEP 17



x2

STEP 18

L x12pcs 



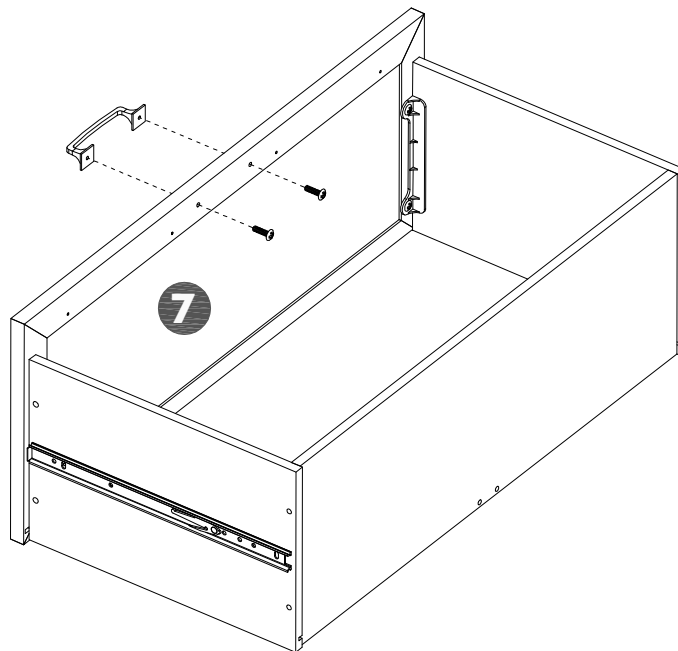
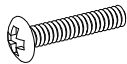
x2

STEP 19

F x2pcs



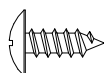
G x4pcs



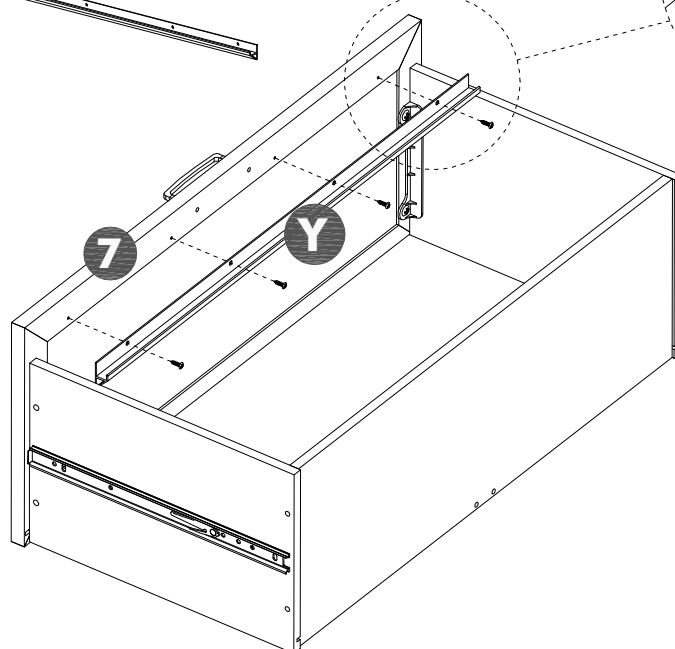
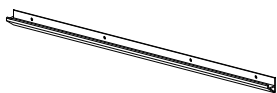
x2

STEP 20

N x8pcs



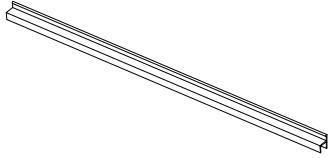
Y x2pcs



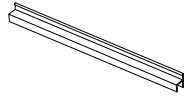
x2

STEP 21

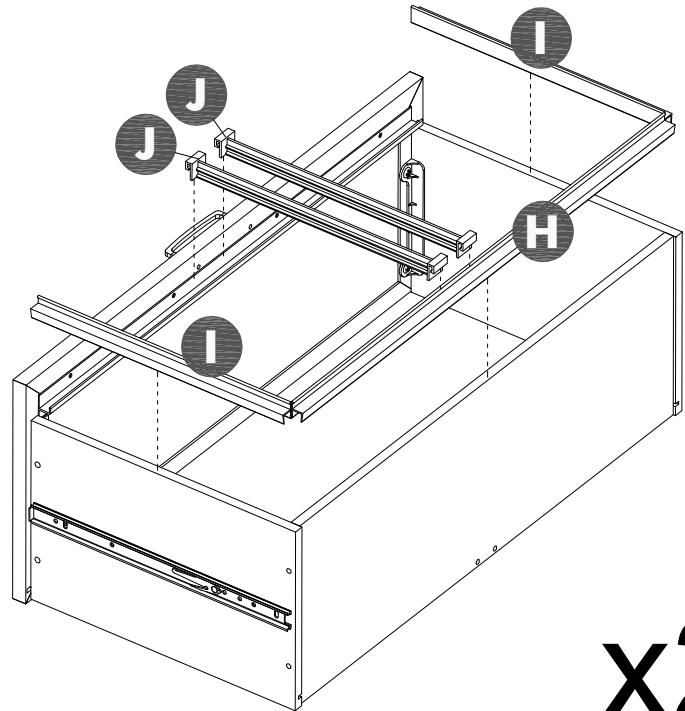
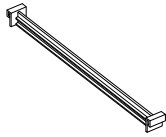
H x2pcs



I x4pcs

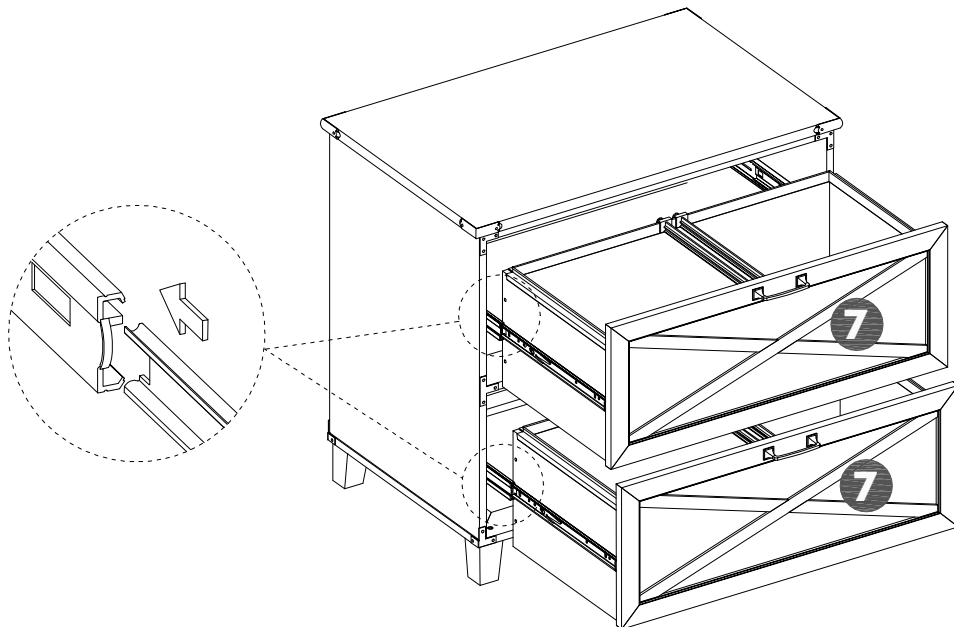


J x4pcs

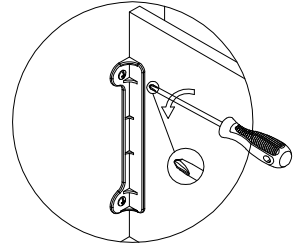


x2

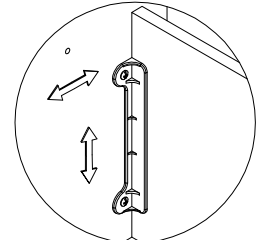
STEP 22



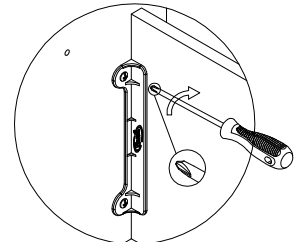
STEP 1.



STEP 2.



STEP 3.



- Move unit to final location.
- Adjust drawer fronts as shown below.

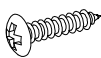
Step1--Loosen screws on back of drawer front brackets as shown.

Step2--Position drawer front as required.

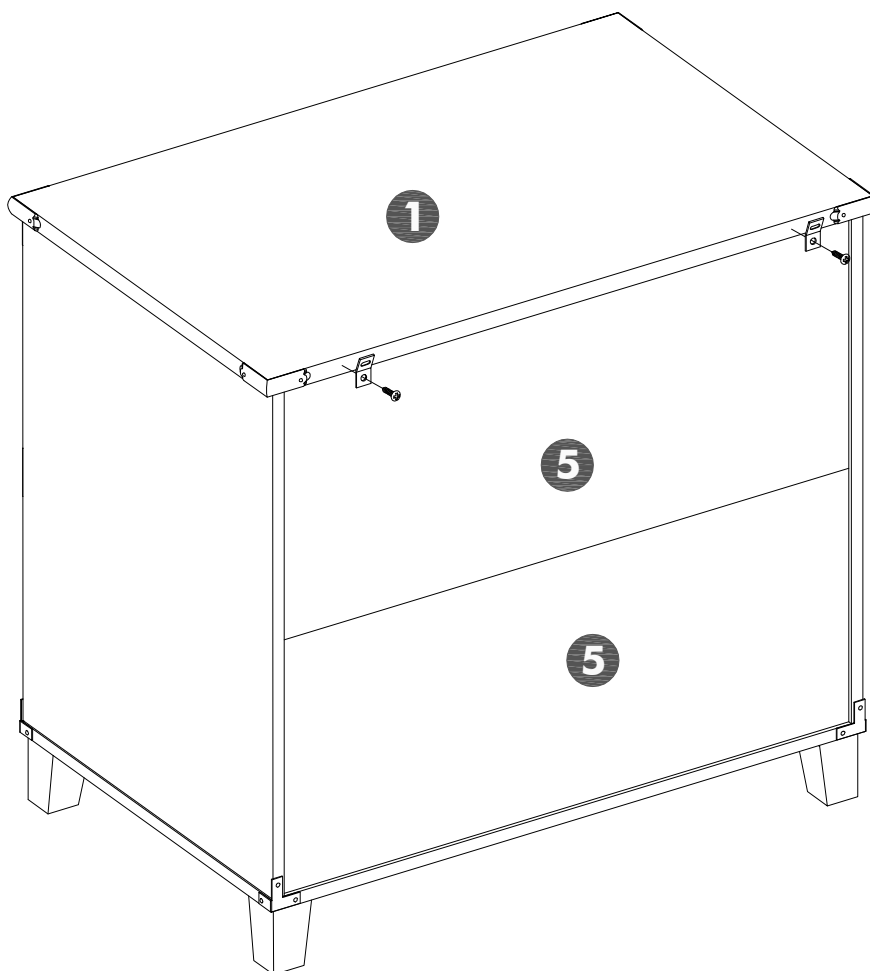
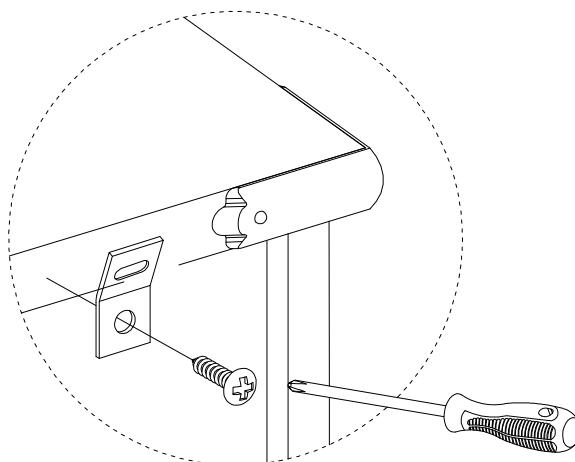
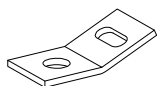
Step3--Tighten screws while holding drawer front in position.

STEP 23

U₂ x2pcs

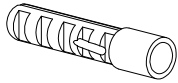


U₃ x2pcs

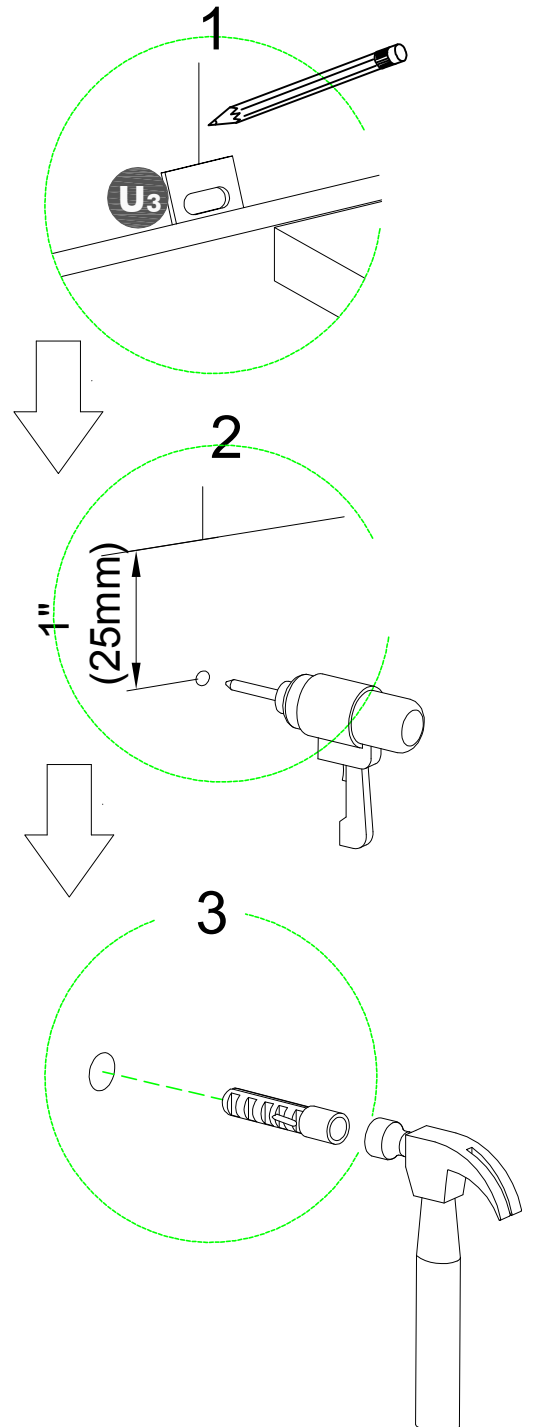
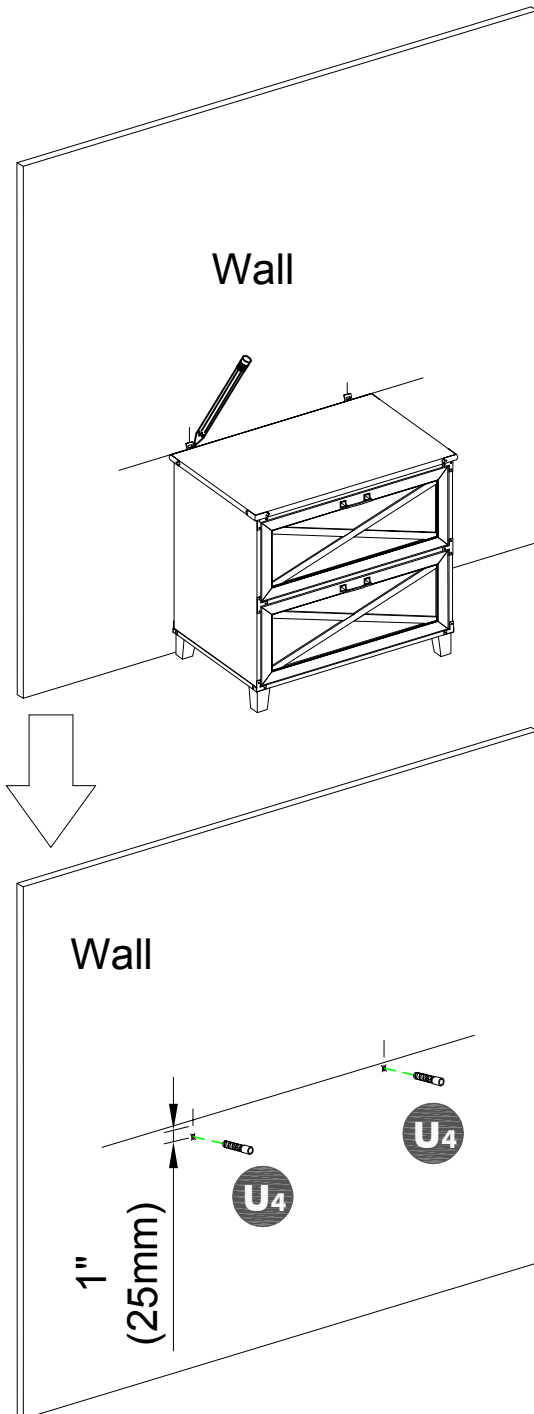


STEP 24

U₄ x2pcs

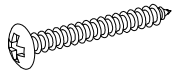


1. Place unit in desired location.
2. Mark stud location on the wall, 1" below top and side of unit.
3. Drill 5/16" hole 2" deep at marks on the wall.

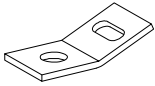


STEP 25

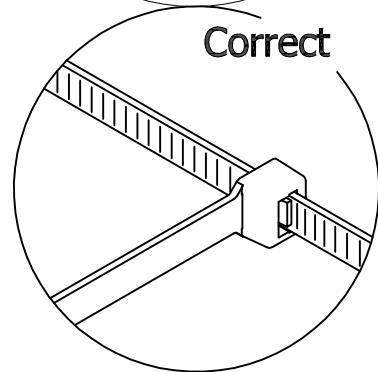
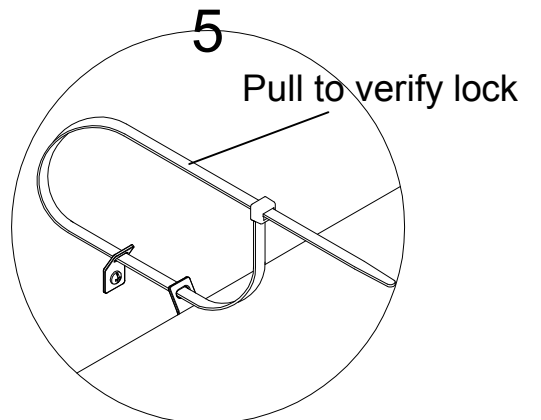
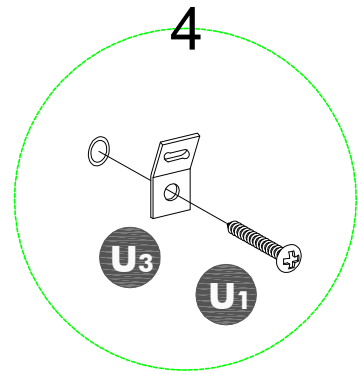
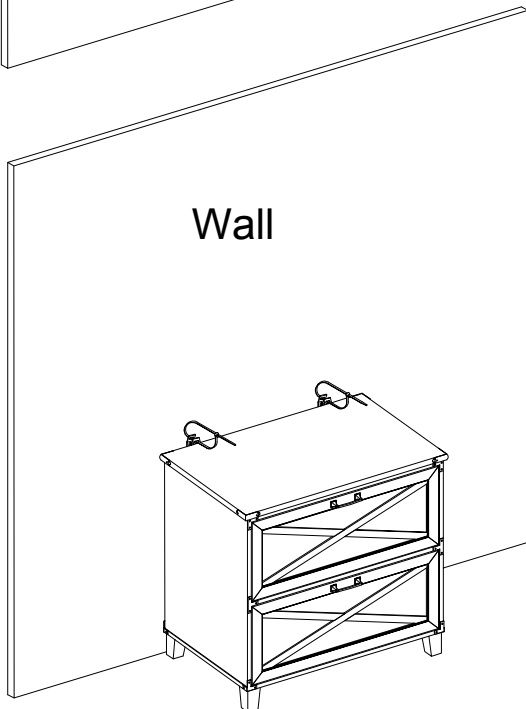
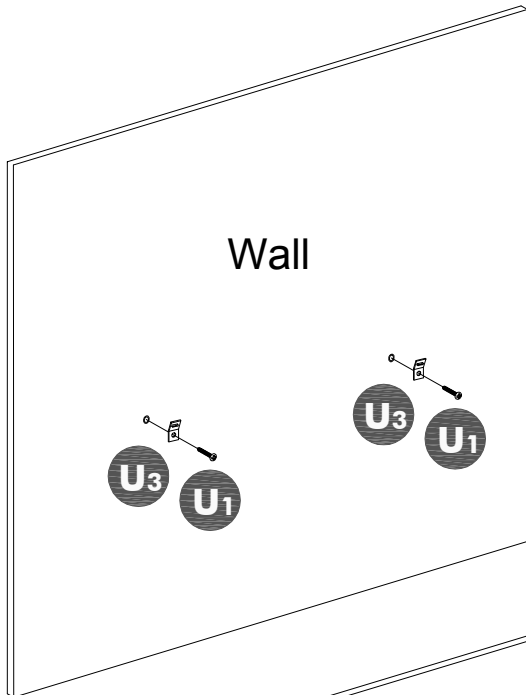
U₁ x2pcs



U₃ x2pcs

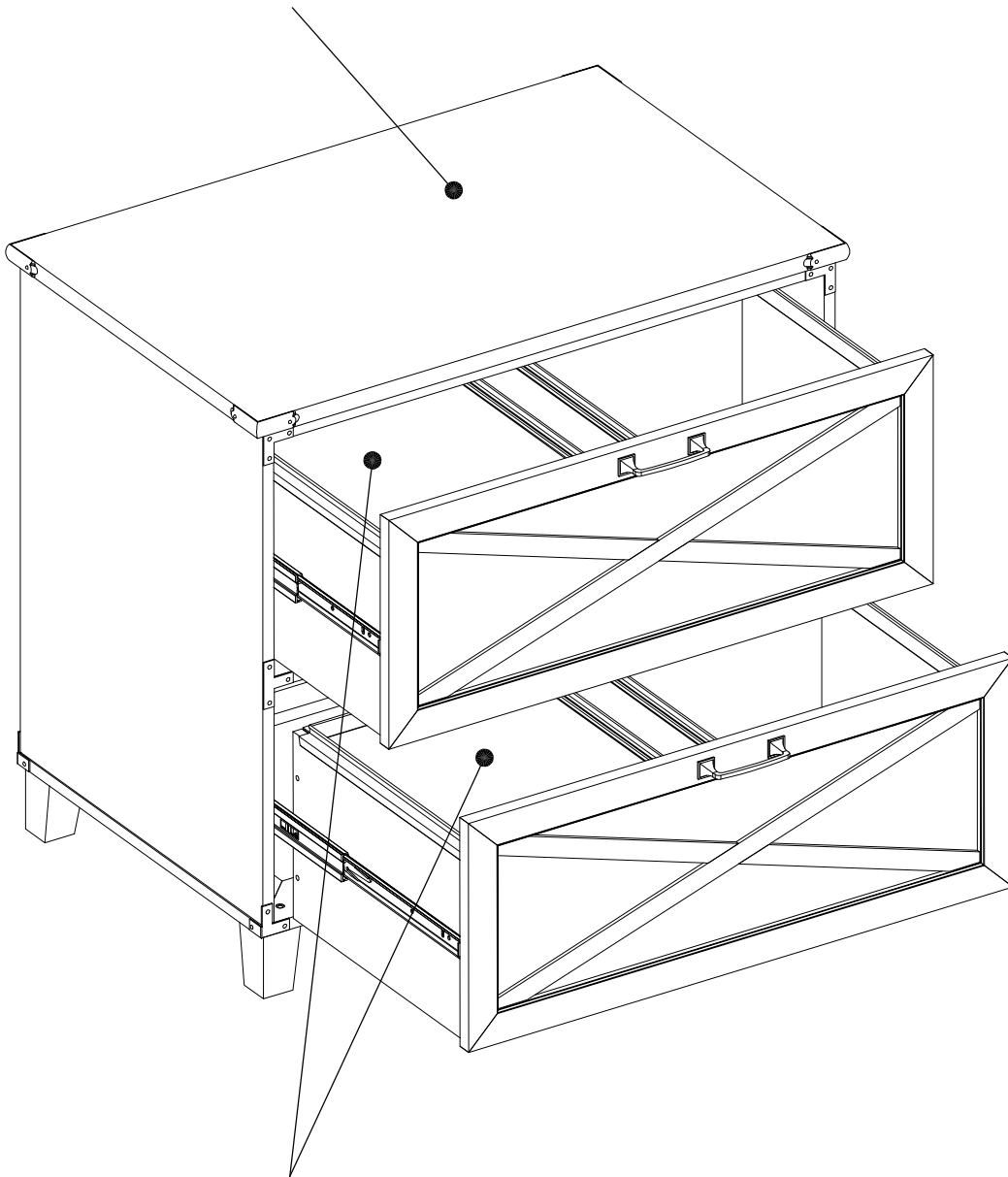


U₅ x2pcs



Maximum weight capacities

MAXIMUM WEIGHT: 200 LBS (91 KG)



MAXIMUM WEIGHT: 50 LBS (23 KG)