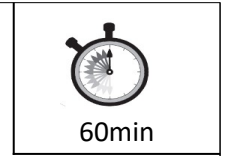
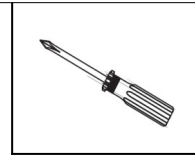
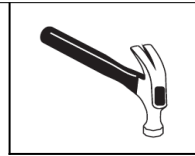


# CP402



Thank you for choosing this furniture.

**BEFORE YOU START ASSEMBLY** please store the carton at room temperature for 48 hours or more so the contents can acclimatise.

**PLEASE RETAIN PACKAGING UNTIL YOU HAVE COMPLETED ASSEMBLY.**

### Information about your furniture.

Our furniture ranges have been carefully crafted from solid wood and natural wood veneers. Each piece of furniture has unique characteristics such as knots, variances and graining. These are part of the natural character of the furniture itself.

### Caring for your furniture.

Extreme temperature can cause slight movements in the wood itself so please avoid placing your furniture close to radiators or other direct sources of heat. Humidity should also be avoided. Please avoid exposing your furniture to continued bright sunlight as it can affect the colour. Any fluid should be removed as quickly as possible. Always lift your furniture when moving, as dragging can cause damage to your furniture or flooring. Extreme changes in temperature & humidity during transit may result in a powder residue forming so silica gel bags have been included to alleviate this natural occurrence. This residue is harmless and can easily be removed before assembly with a damp cloth and mild detergent.

### After care.

Wipe the surfaces with a dry cloth and an occasional use of normal household polish. We also recommend you use household spray polish occasionally on the drawer grooves and runners as this will aid use. Please do not use detergents or chemicals on your furniture.

### Before you start assembly.

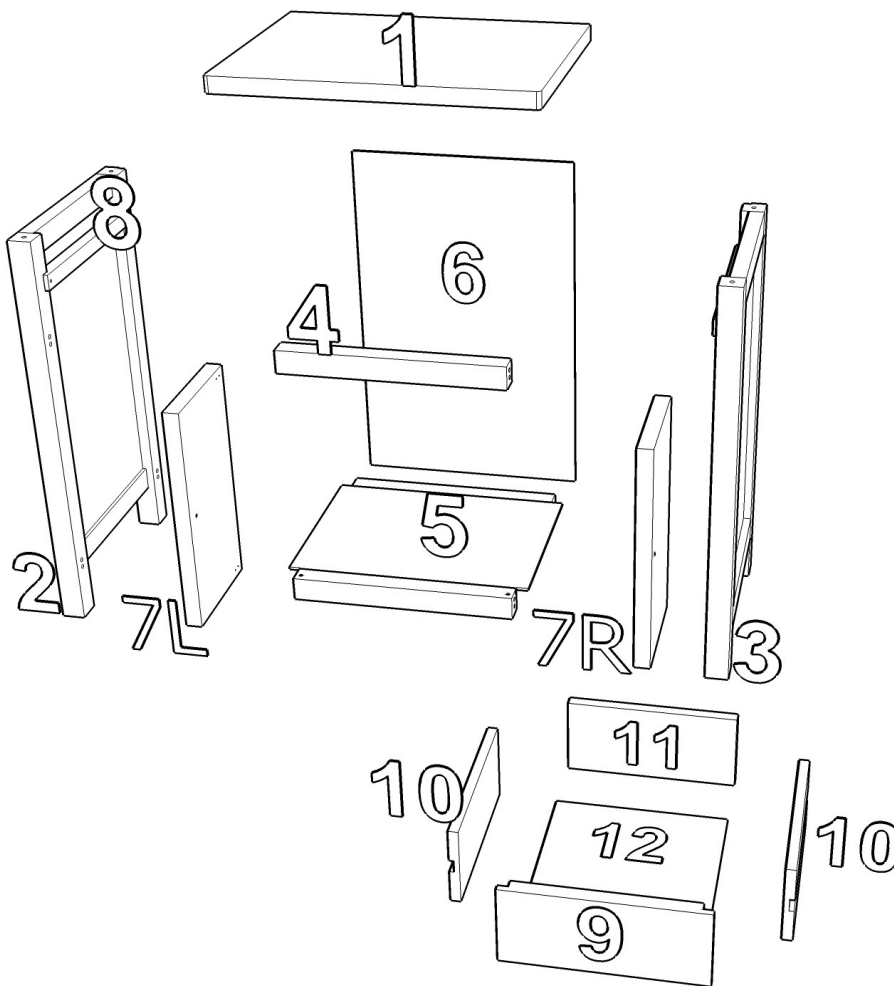
Please check that you have all the correct parts and fittings as detailed above. In the unlikely event of a part being damaged or

missing please mark the component or part on the diagram below and email your retailer. Alternatively, email [arisesunltd@gmail.com](mailto:arisesunltd@gmail.com)

**Please provide the following information so that your request can be dealt with ASAP**

\* Name \* Address \* Post Code \* Tel number \* Batch number (to be found at the bottom left of this page)

### PARTS LIST



**A = x18  
Dowel**



**B = x10  
40mm Screw**



**C = x12  
30mm Screw**



**D = x14  
Nail**



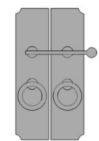
**E = x1  
Handle**



**F = x3  
Short Bolt**



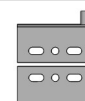
**G = x2  
Long Bolt**



**H = 1x  
Door plate set**



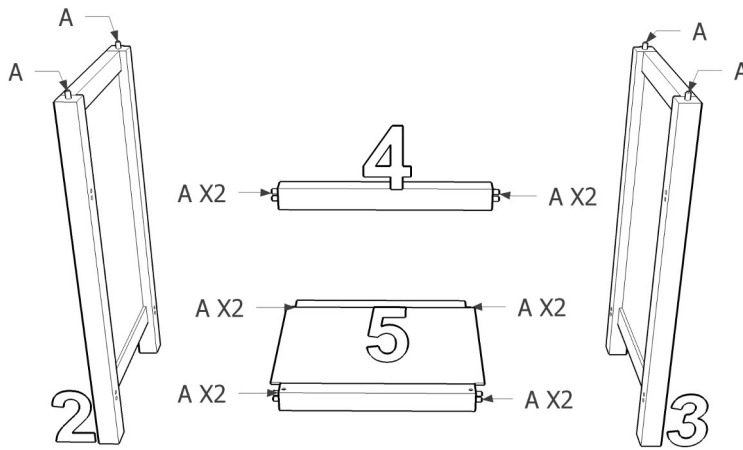
**N = 12x  
Hinge screw**



**M = 2x  
Hinge Pair Set**

**Batch No.**

1

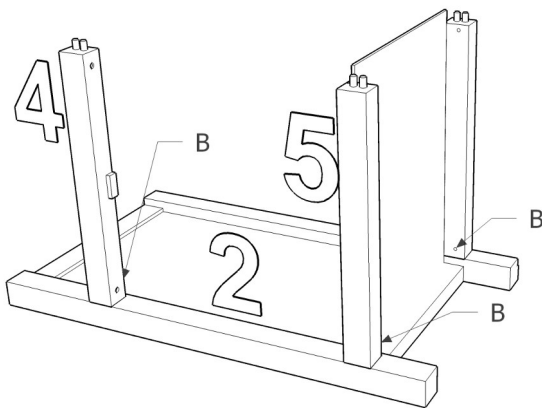


Tip: during assembly place unit onto a work surface with a clean cover



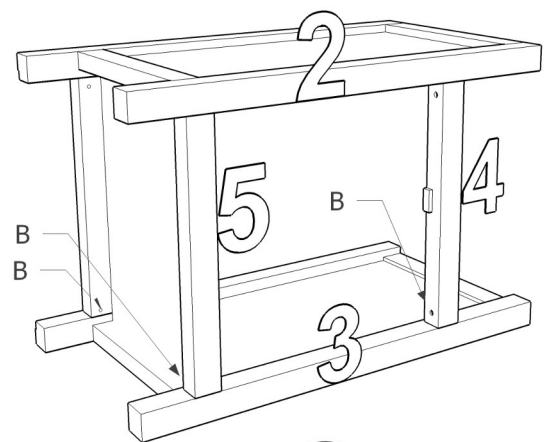
A = x16  
Dowel

2

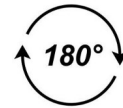


B = x3  
40mm Screw

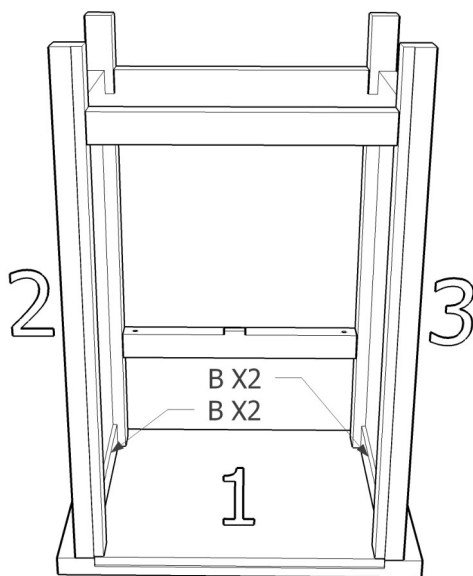
3



B = x3  
40mm Screw



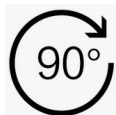
4



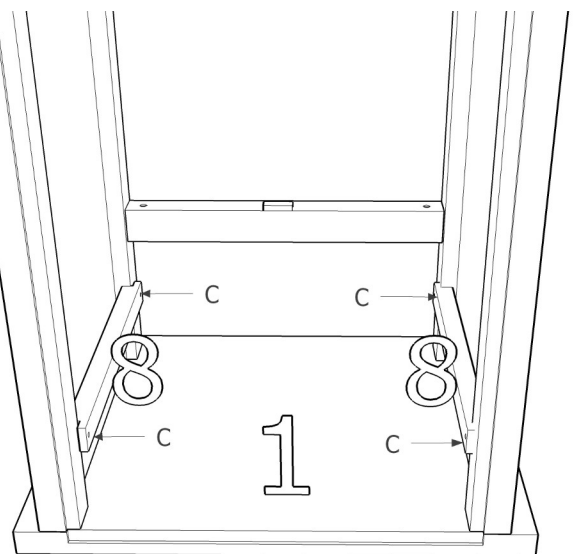
BACK OF UNIT



B = x4  
40mm Screw



5



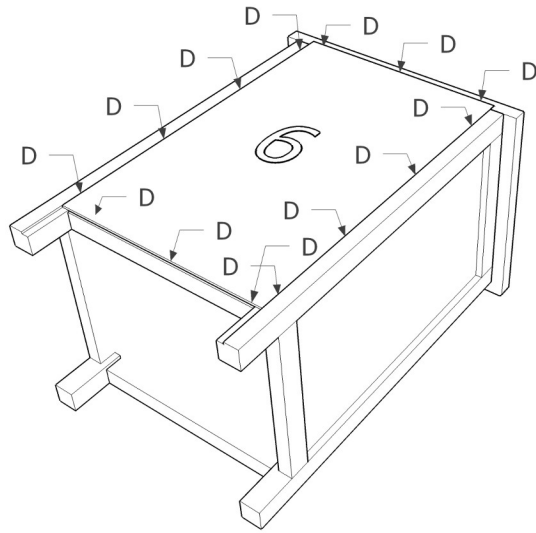
BACK OF UNIT



C = x4  
30mm Screw

Tip: Place top of unit over the edge of the work surface to ensure the top does not mark during assembly

6



  
**D = x14**  
**Nail**

7



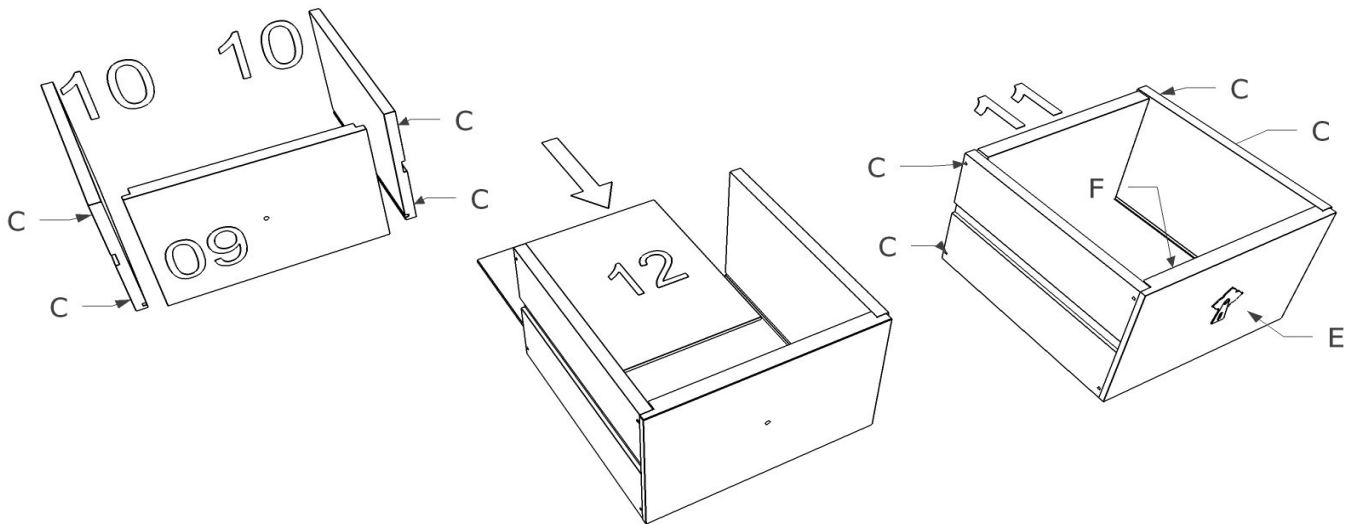
**E = x1**  
**Handle**



**F = x1**  
**Short Bolt**



**C = x8**  
**30mm Screw**



8

**BACK SIDE OF DOORS**

TOP

7L

N x3

M

TOP

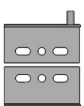
7R

N x3

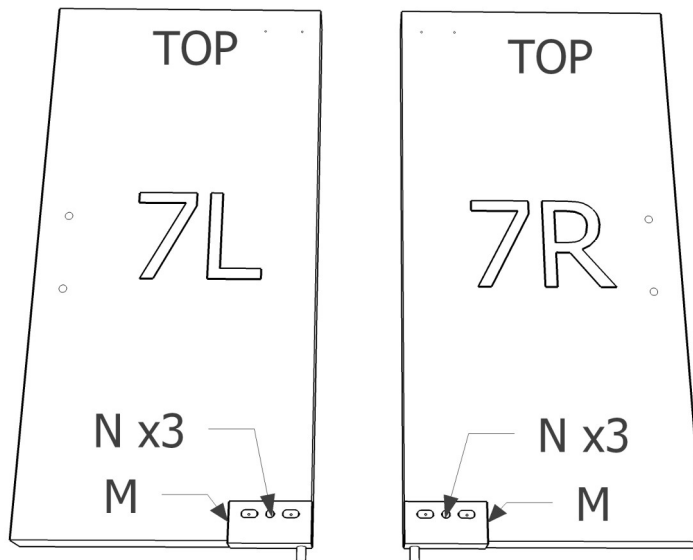
M



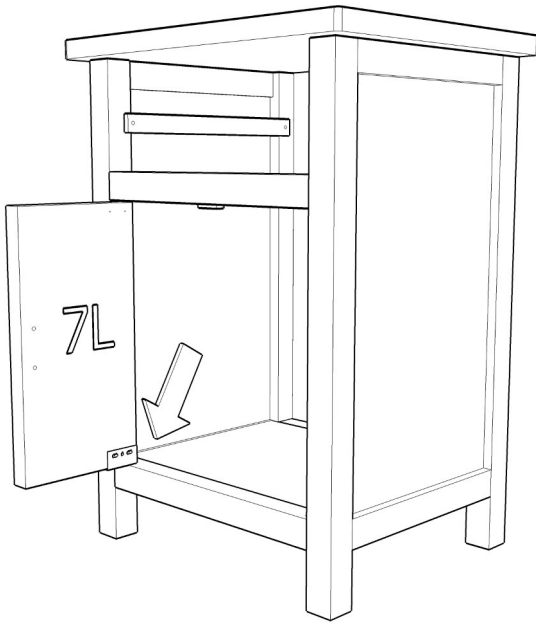
**N = 6x**  
**Hinge screw**



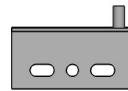
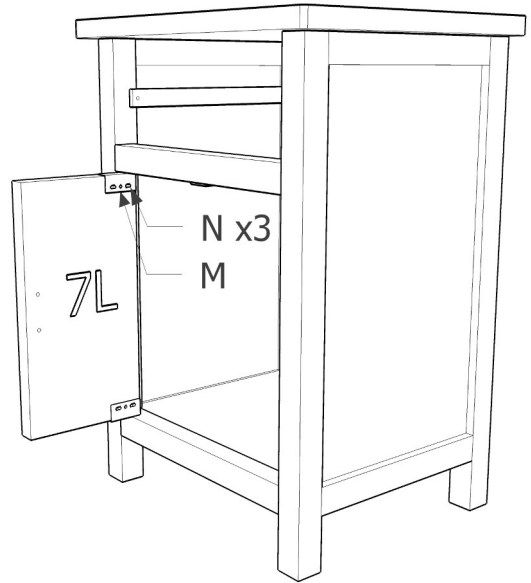
**M = 1x**  
**Hinge Pair Set**



9



10



M = 1x  
Hinge



N = 3x  
Hinge screw

### REPEAT STEPS 9 & 10 TO FIT RIGHT DOOR - 7R

IF A DOOR NEEDS ADJUSTING ITS POSITION, SIMPLY LOOSEN THE HINGE SCREWS AND REPOSITION DOOR AS REQUIRED

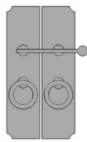
11



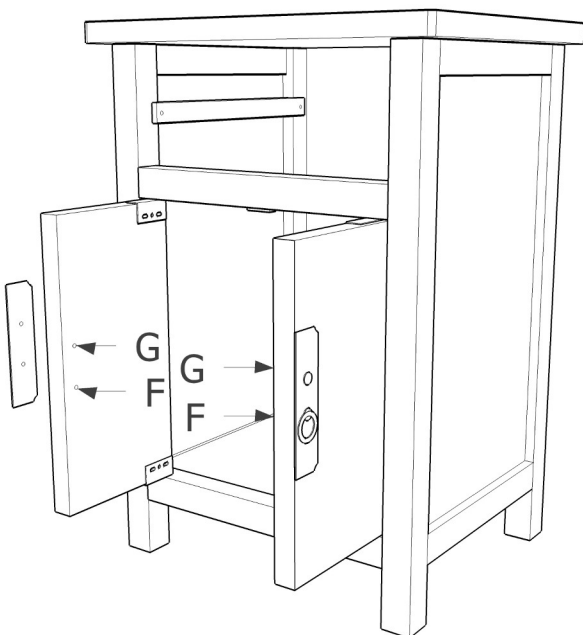
F = x2  
Short Bolt



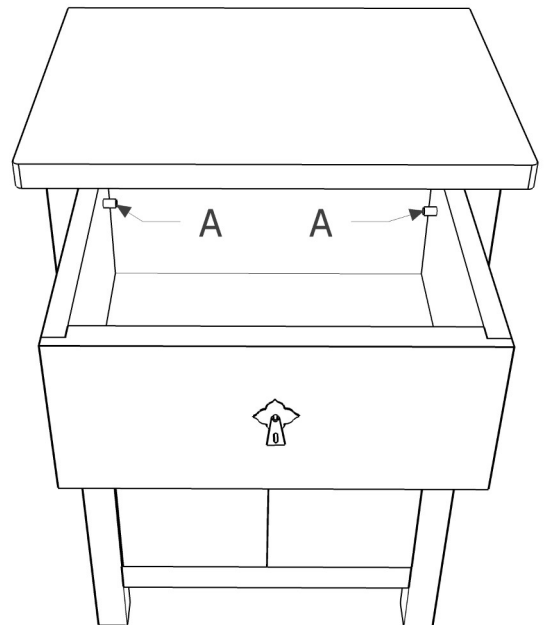
G = x2  
Long Bolt



H = 1x  
Door plate set



12



A = x2  
Dowel