

OWNER'S MANUAL

# WINDOW AWNING

Hello,  
Thank you for choosing  
Let's get started

#### ○ PURCHASER'S AGREEMENT

By accepting delivery of this product, you promise that you will not change, alter, or modify this product or remove or render inoperable or unsafe any guards, shields or other safety features of this product.

You will not refuse or neglect any retrofit kits that may provide to enhance and preserve the safe use of this product.

# CONTENTS

<b>I</b>	<b>SAFETY GUIDELINES</b>	- 01
<b>II</b>	<b>ASSEMBLY INSTRUCTIONS</b> <ul style="list-style-type: none"><li>• Preparation</li><li>• Part List</li><li>• Assembly Steps</li></ul>	- 02
<b>III</b>	<b>RETURN / REPLACEMENT POLICY</b>	- 14
<b>V</b>	<b>WARRANTY DISCLAIMER</b>	- 16

# I. SAFETY GUIDELINES

## WARNING

For your own safety, please strictly follow the instructions in this manual, otherwise personal injury may result!

### Before you proceed, please read the following safety precautions:

- Separate and count all parts and hardware.
- Canopies can be attached to one another. This requires two people working together, positioning the two together from an upright position. Once the two canopies have been connected to one another, screw the bracket together securely. Then affix to the wall.
- Note: If you want to continue to assemble the canopy in larger sizes, you can purchase canopy to complete your assembly requirements.

### Disposal:

- Please respect the environment!
- Dispose of the packaging according to the local recycling regulations.
- Dispose of the appliance at the end of its life span according to environment considerations.

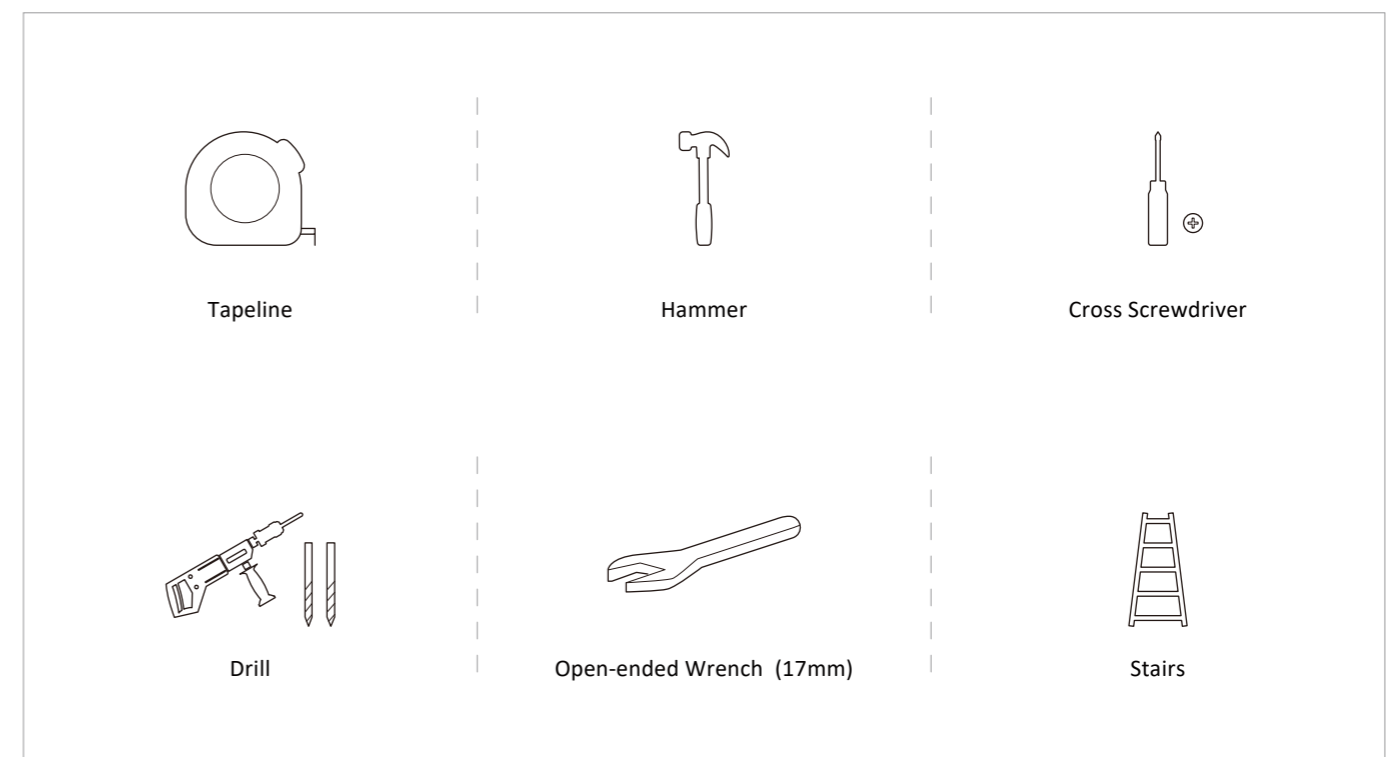
# II. ASSEMBLY INSTRUCTIONS

## 1. Preparation

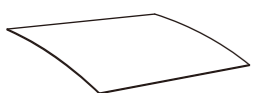



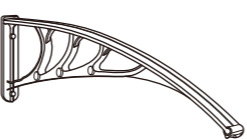




- Before you start the installation, check your parts against the parts list.
- At the same time, you need to double check that the reserved size meets the installation of the product.

Width	Height
38"	7.4"
76"	7.4"
114"	7.4"

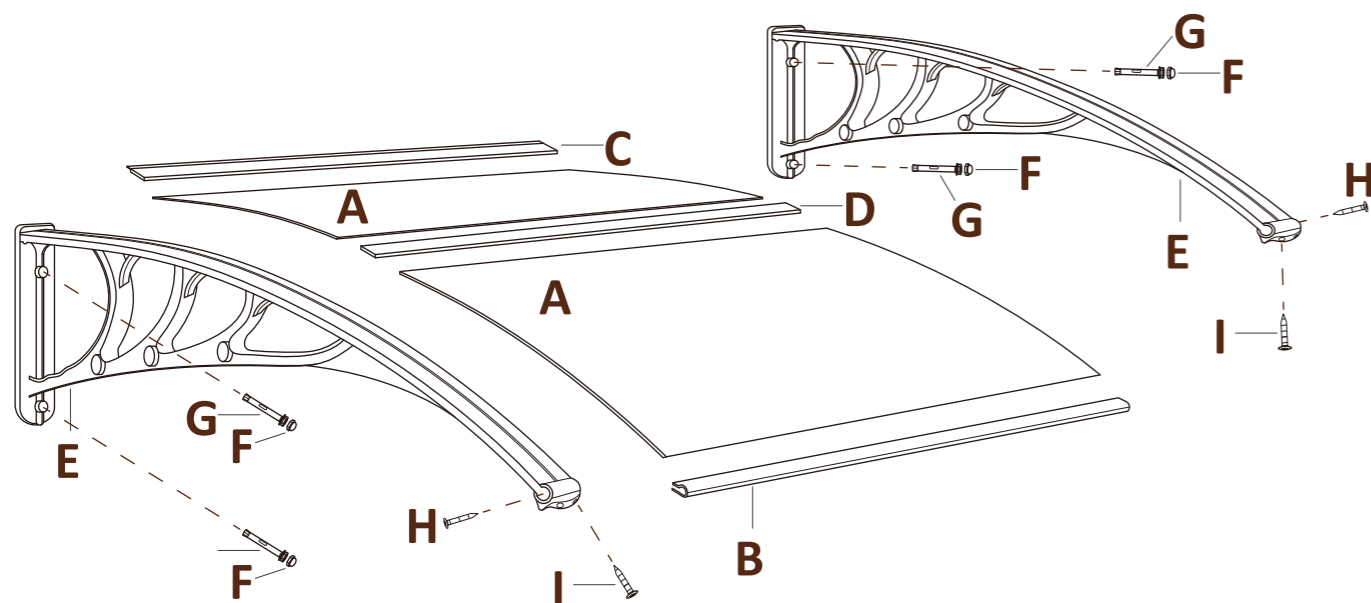
- Please prepare all the necessary tools.

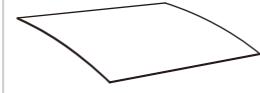



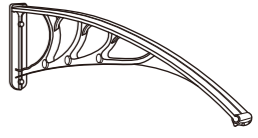






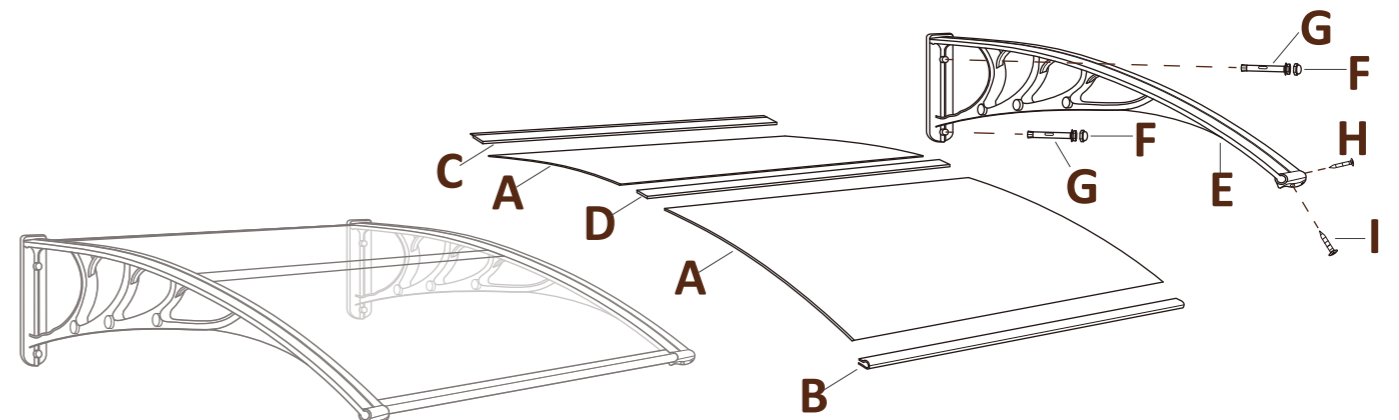
## 2. Part List

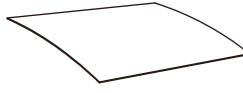



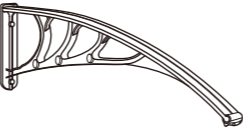


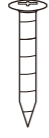

<b>A</b>  Board x2	<b>B</b>  Front Fixing Bar x1	<b>C</b>  Back Fixing Bar x1	<b>D</b>  Connecting Bar x1	<b>E</b>  Bracket x2
<b>F</b>  Plastic Caps x4	<b>G</b>  Expansion Bolts (M8x80mm) x4	<b>H</b>  Screws (M4x20mm) x2	<b>I</b>  Screws (M4x15mm) x2	

### Exploded View

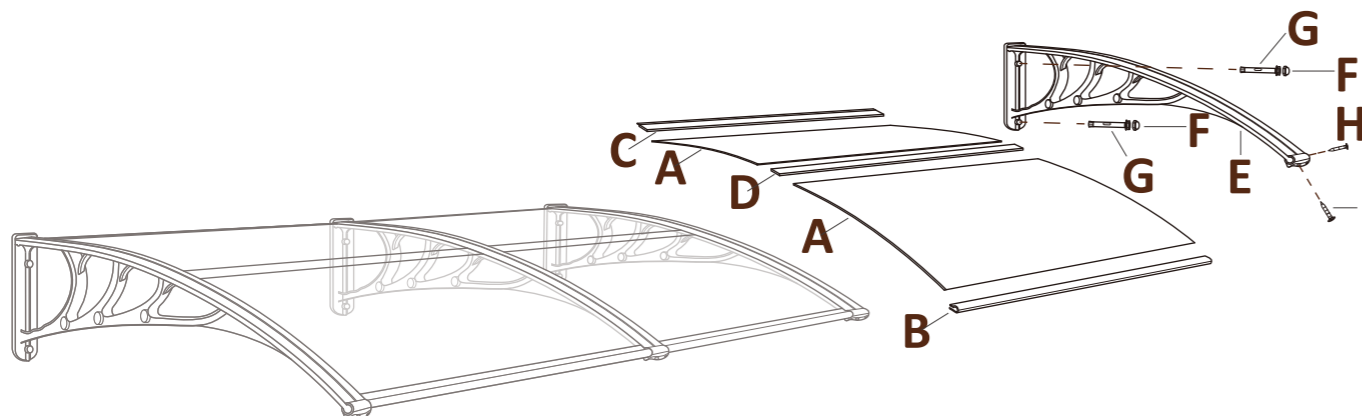


<b>A</b>  Board x4	<b>B</b>  Front Fixing Bar x2	<b>C</b>  Back Fixing Bar x2	<b>D</b>  Connecting Bar x2	<b>E</b>  Bracket x3
<b>F</b>  Plastic Caps x6	<b>G</b>  Expansion Bolts (M8x80mm) x6	<b>H</b>  Screws (M4x20mm) x4	<b>I</b>  Screws (M4x15mm) x4	



<p><b>A</b></p>  <p>Board x6</p>	<p><b>B</b></p>  <p>Front Fixing Bar x3</p>	<p><b>C</b></p>  <p>Back Fixing Bar x3</p>	<p><b>D</b></p>  <p>Connecting Bar x3</p>	<p><b>E</b></p>  <p>Bracket x4</p>
<p><b>F</b></p>  <p>Plastic Caps x8</p>	<p><b>G</b></p>  <p>Expansion Bolts (M8x80mm) x8</p>	<p><b>H</b></p>  <p>Screws (M4x20mm) x4</p>	<p><b>I</b></p>  <p>Screws (M4x15mm) x6</p>	

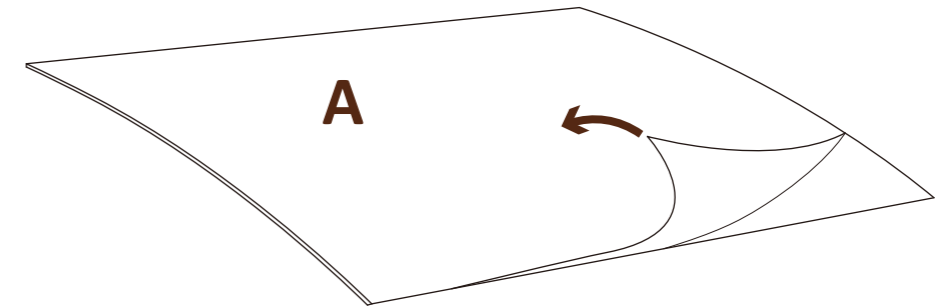
### Exploded View



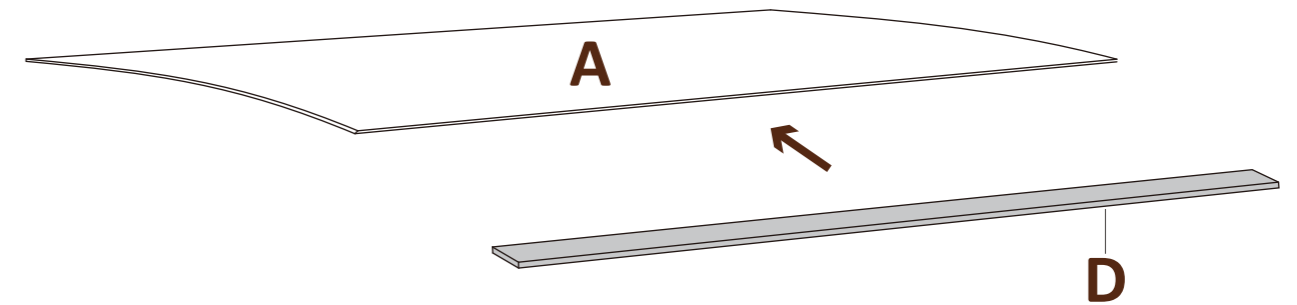
## 3. Assembly Steps

### Step1 - Frame Assembly

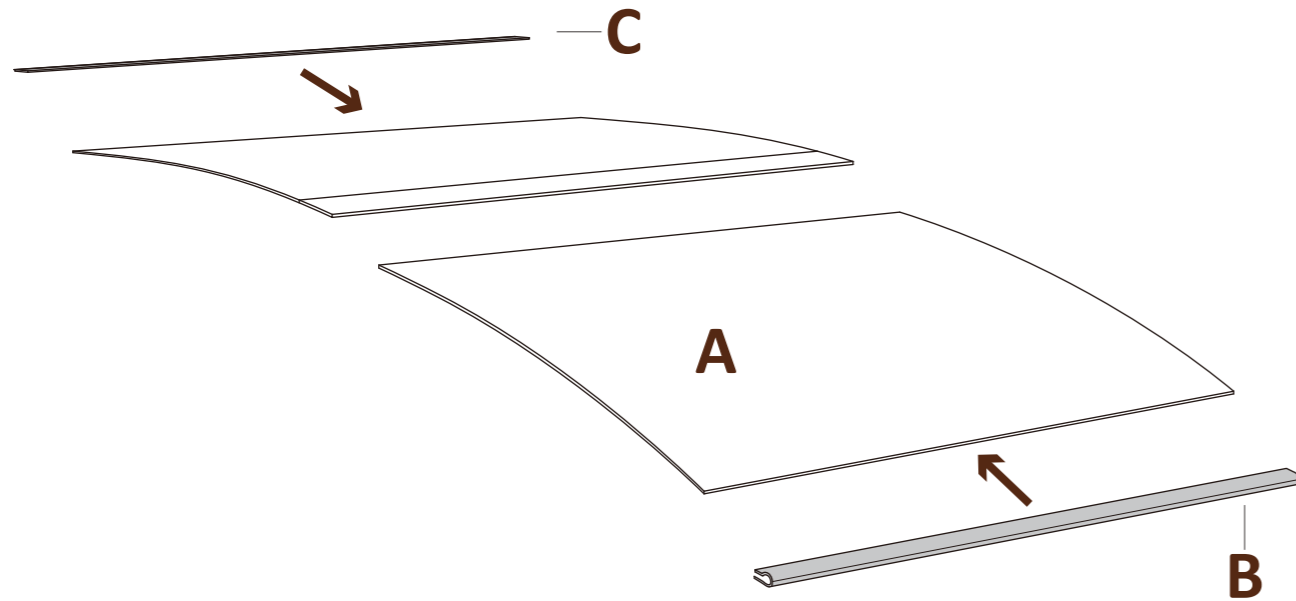
- (1). Place the Boards #A on a clean surface.  
Flip the Boards #A over and peel off the protective film on top.



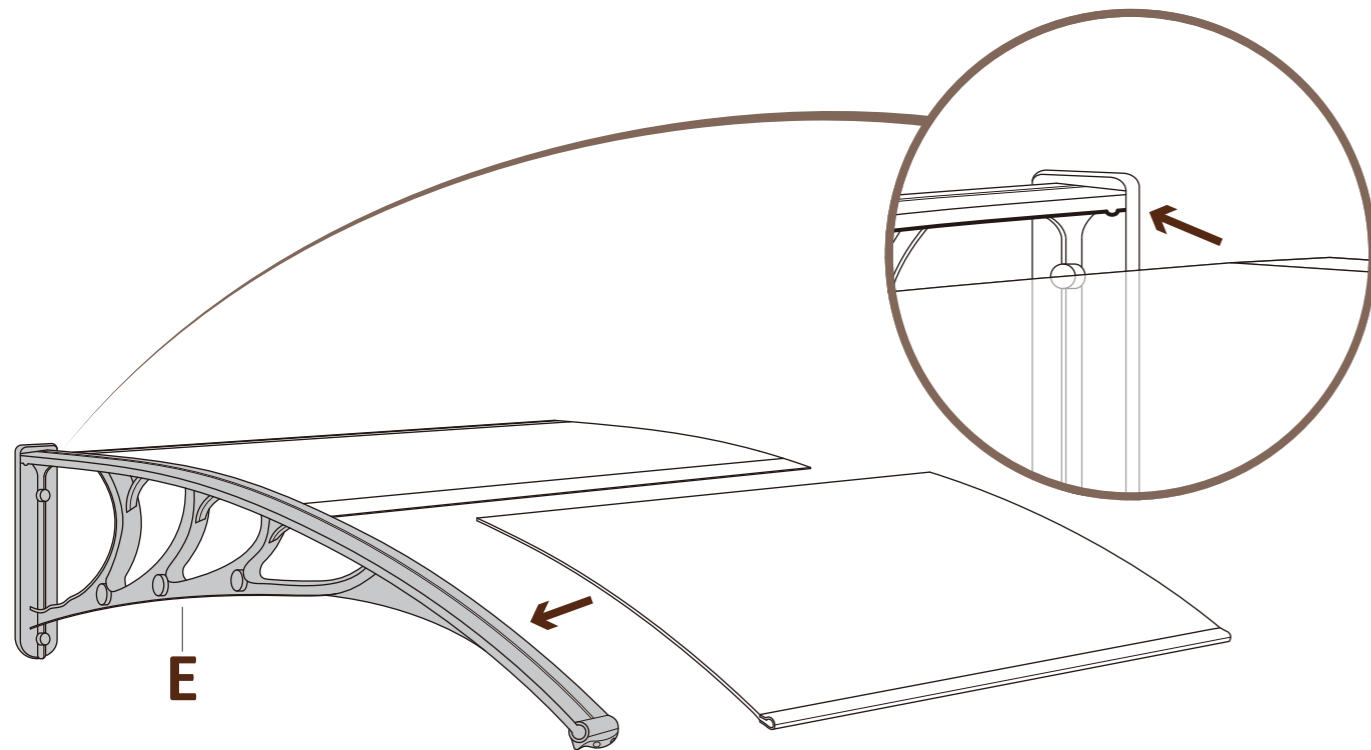
- (2). Insert the Connecting Bar #D into the long side of the Board #A.



(3). Insert the Front Fixing Bar #B and the Back Fixing Bar #C into the side of the Board #A.

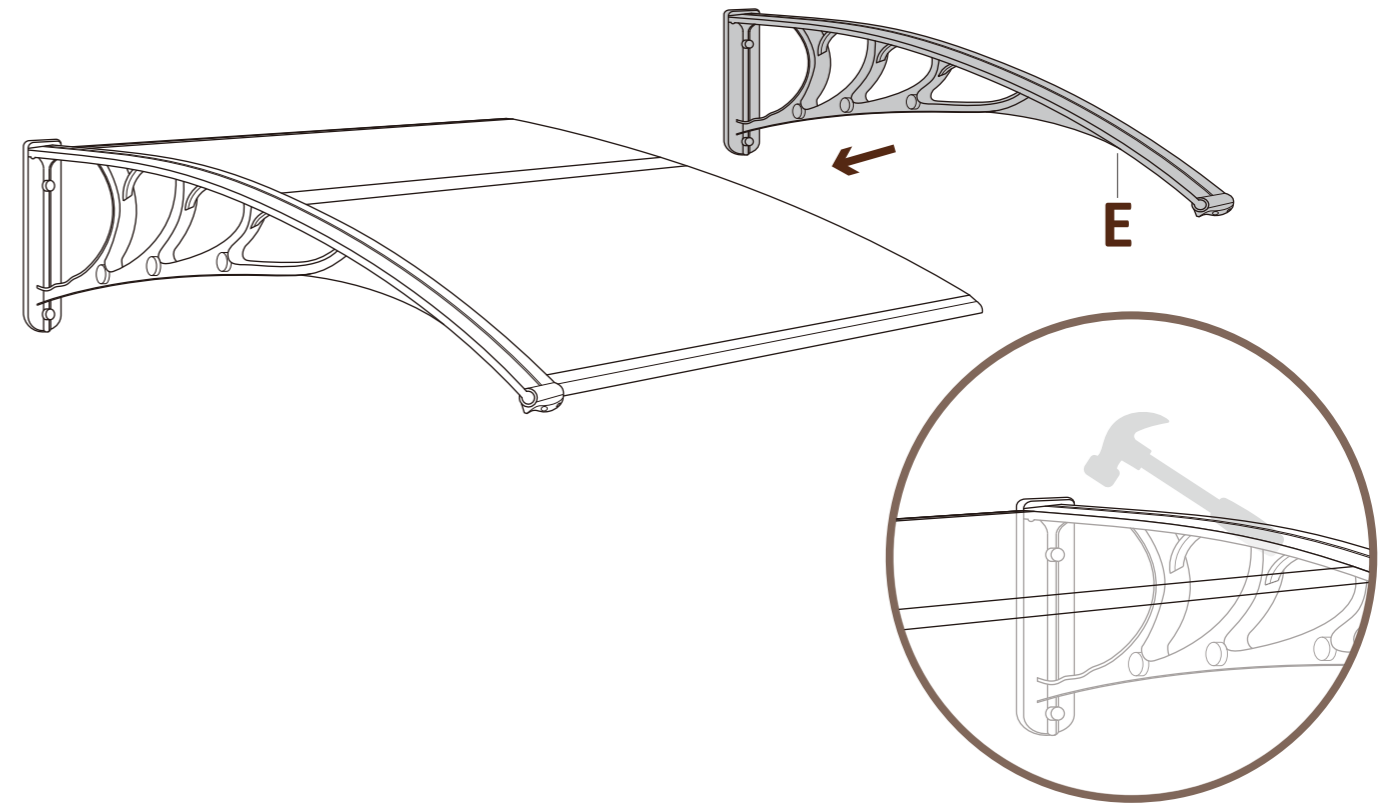


(4). Lay the Bracket #E on the clean and smooth floor. In the order shown in the picture, insert the Board with Front Fixing Bar #B towards the pointed end of the bracket, and the Board with Back Fixing Bar #C towards the ridges of the bracket.

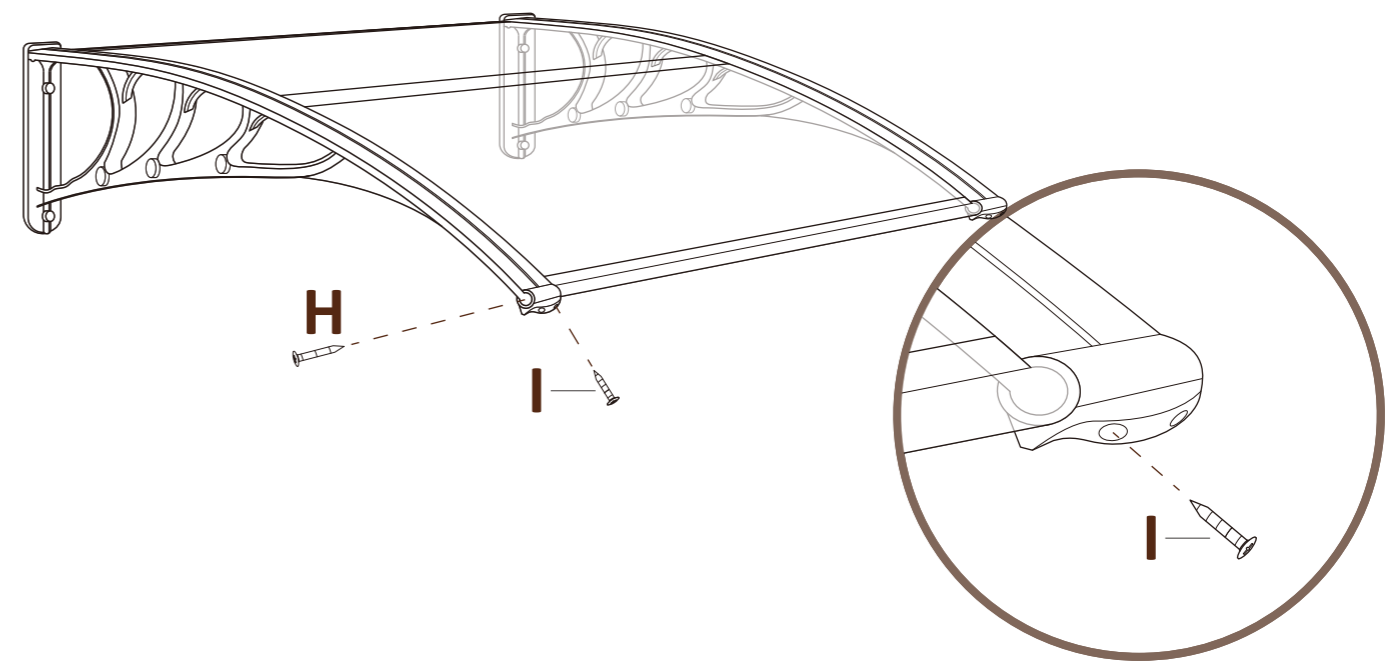


(5). Insert the other Bracket #E into the hole.

Strike the back sides of the Bracket #E with a wooden hammer until the gaps disappear.



(6). Install screw #H to fix the two holes on both sides of the Brackets #E, and install screw #I to fix the holes on the inside of the front end of the Brackets #E.

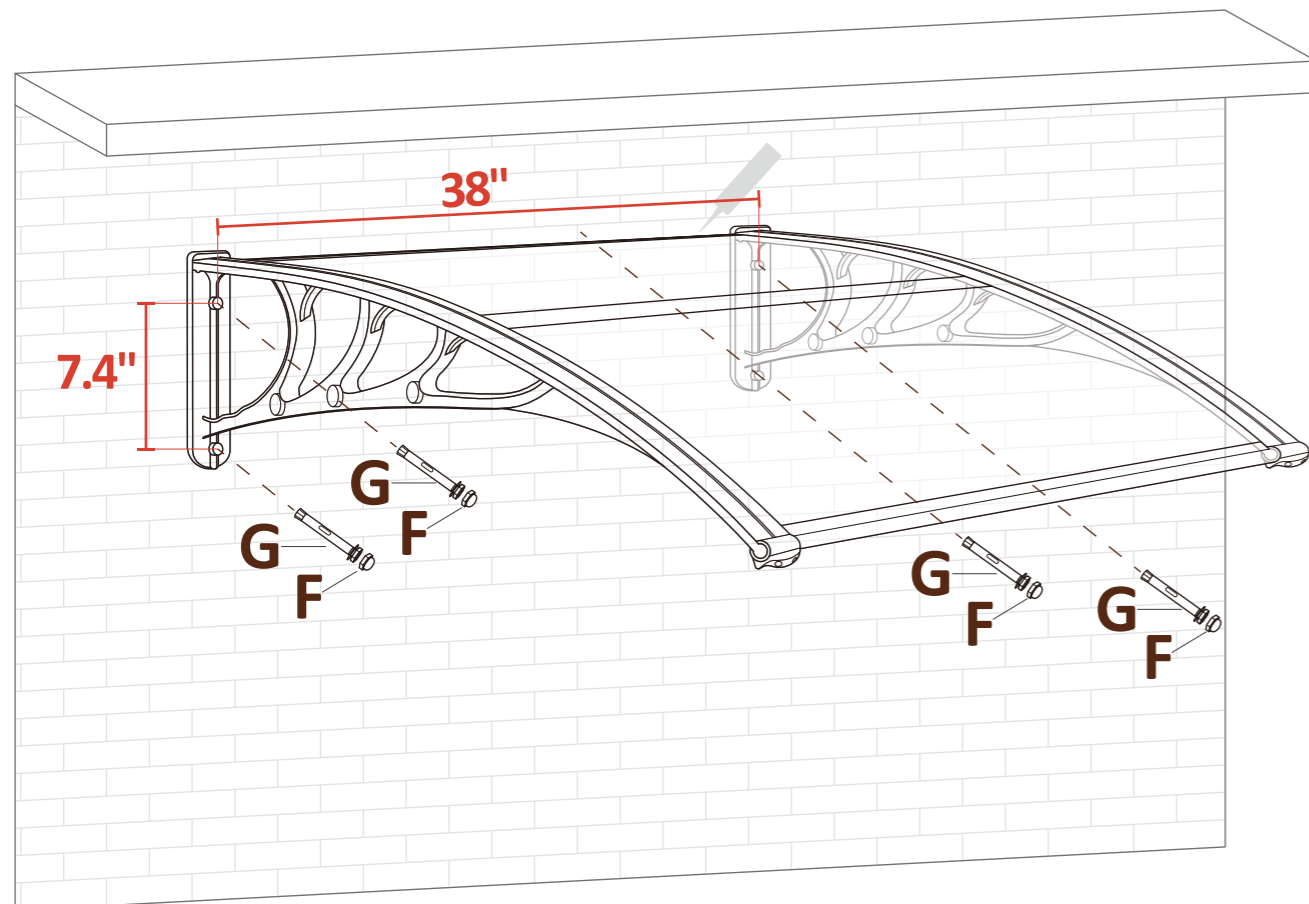


## Step2 - Mounting to the wall

(1). Referring to the following distances, measure the distance between the bracket fixing holes from the centre of the screw holes on the left and right brackets: 38" / 76" / 114"

Distance between upper and lower screw holes: 7.3"

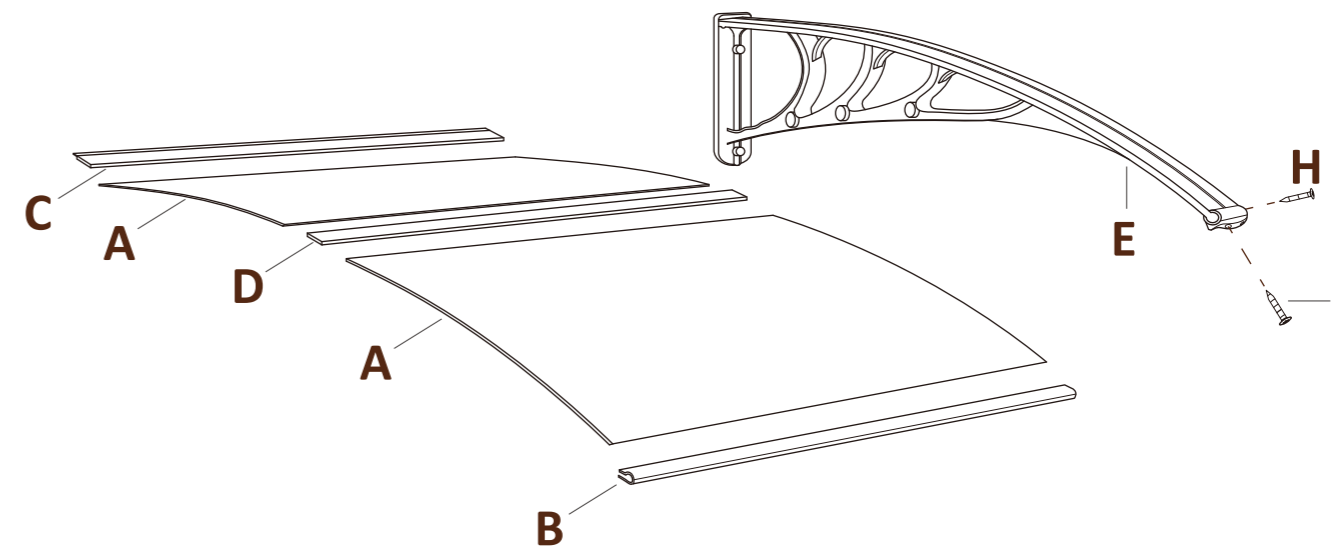
Use a 10mm drill bit to drill 3.15" at the four hole marks.



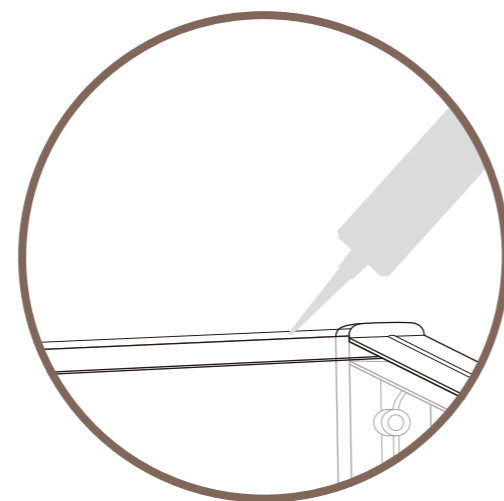
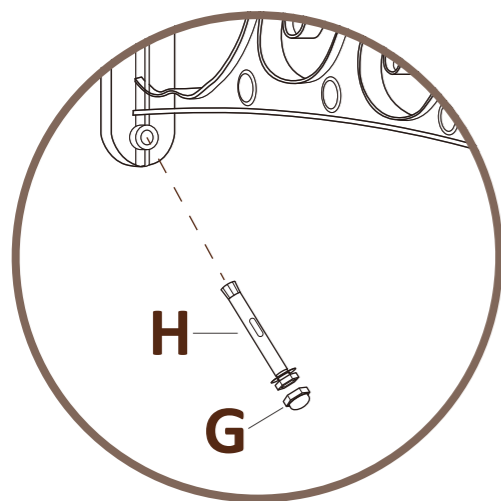
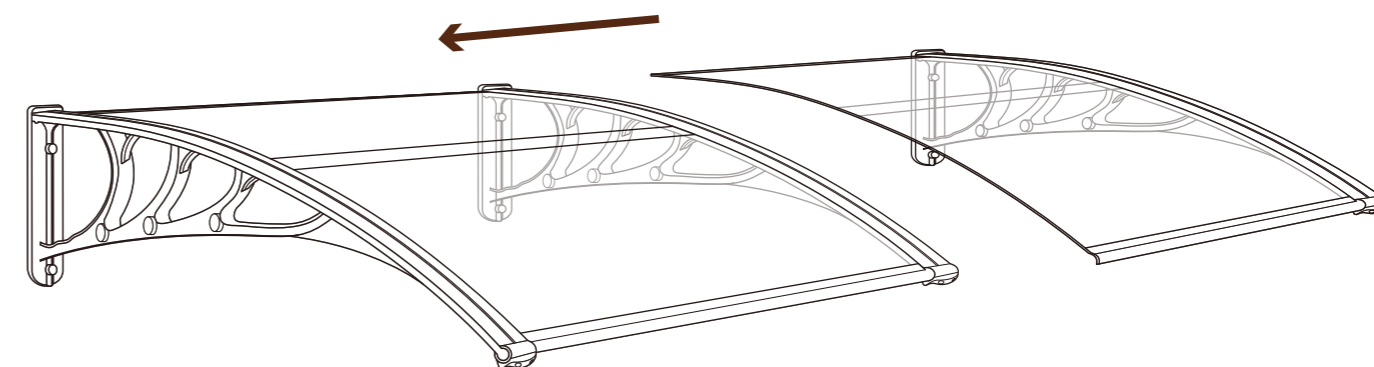
## 4. Assemble in Larger Sizes

### Step1 - After installing an canopy

(1). If you need to assemble the canopy in larger sizes, you can follow the previous steps above to assemble the remaining parts.



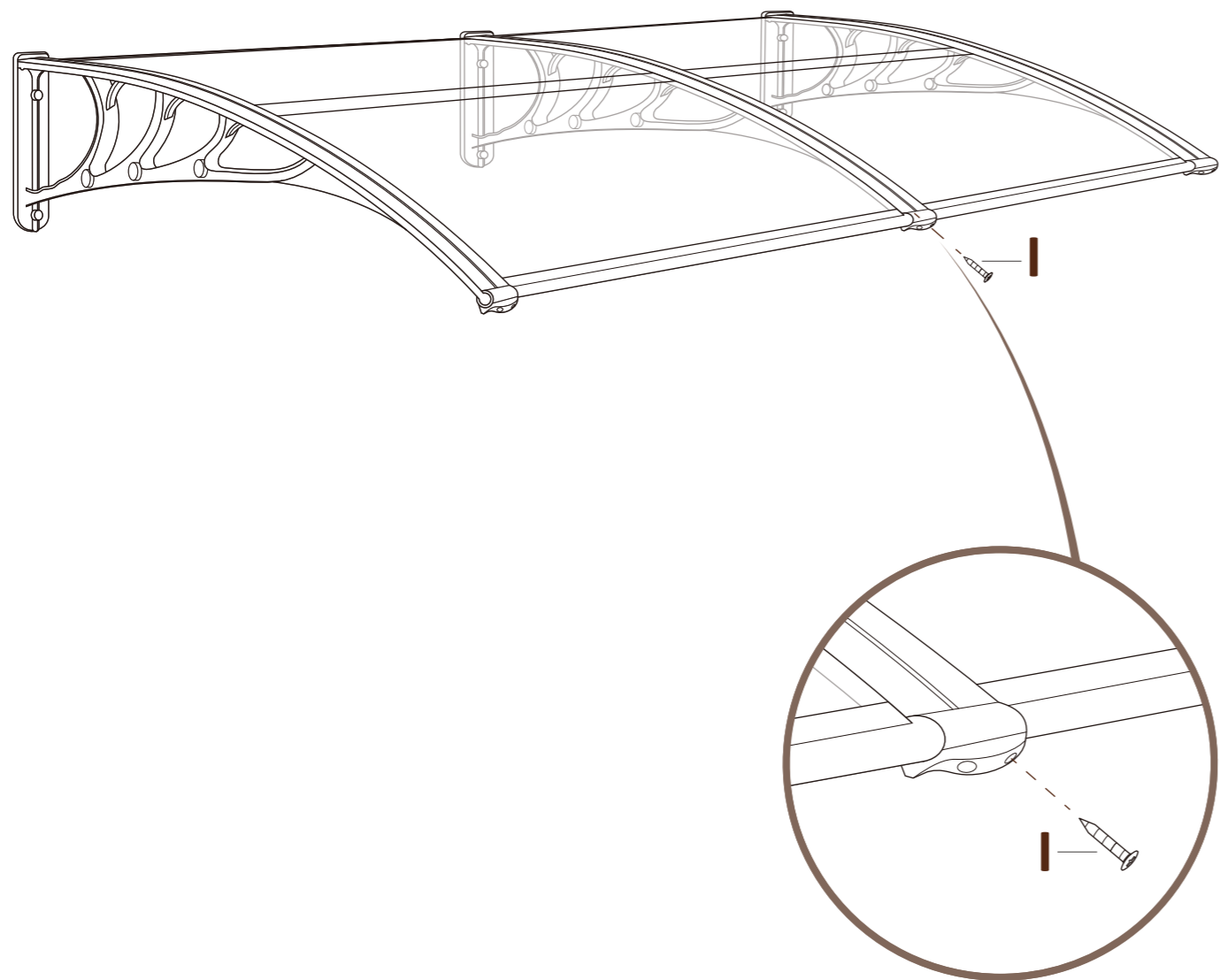
(2). Please note that there are two small round holes in the upper back of Bracket #E.



(2). Insert Expansion Bolts #G through the Brackets #E into the drilled holes and put the Plastic Caps #F on the Expansion Bolts #G.

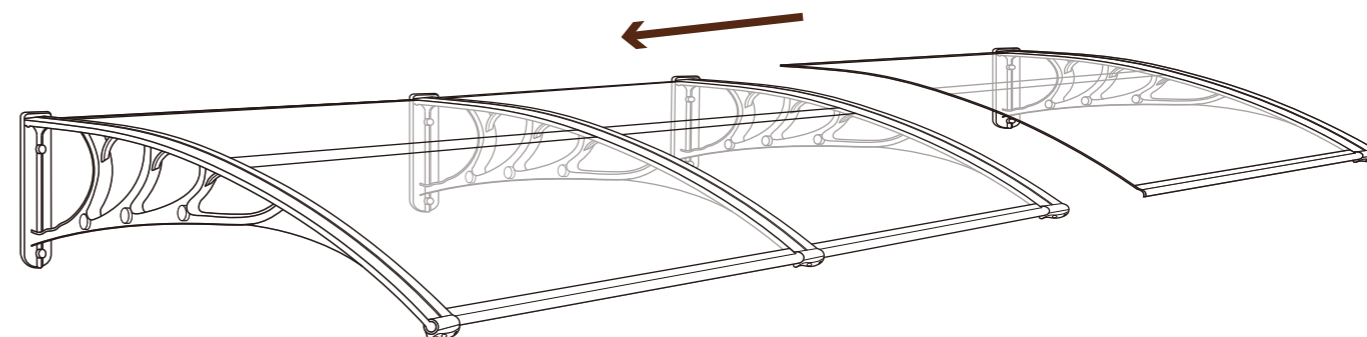
(3). In order to improve the waterproof performance, you can use a waterproof sealant at the edge, of course it is up to you.

(3). The holes of the Bracket #E in the middle of the two awning needs to be fixed with screw #I.

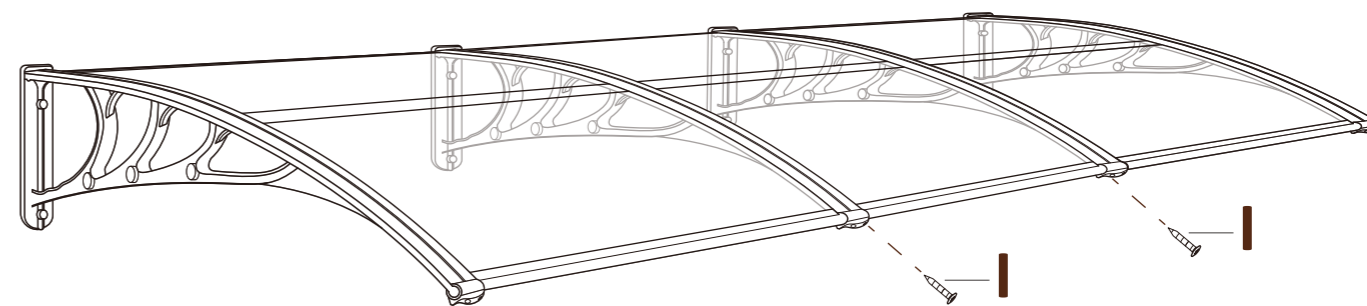


## Step2 - After installing an canopy

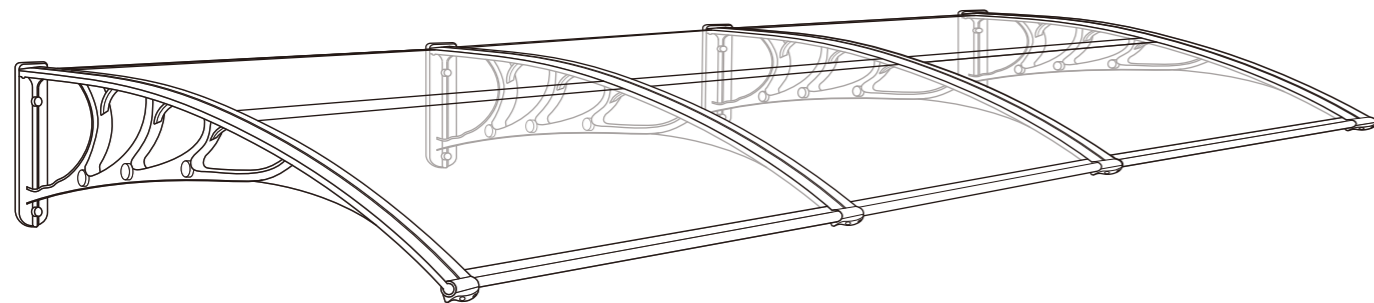
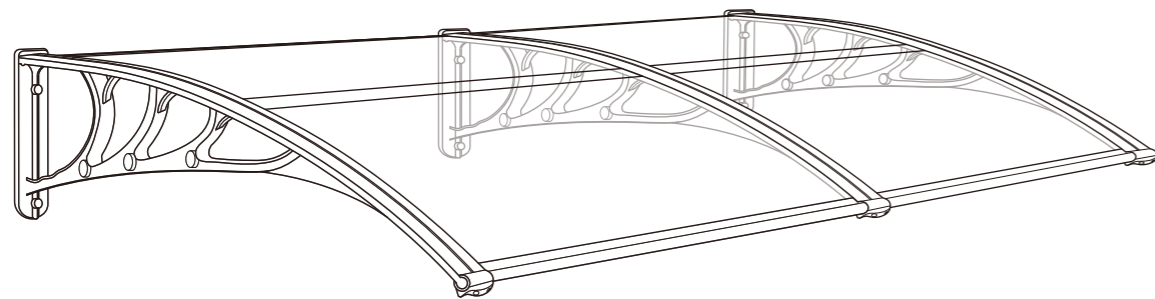
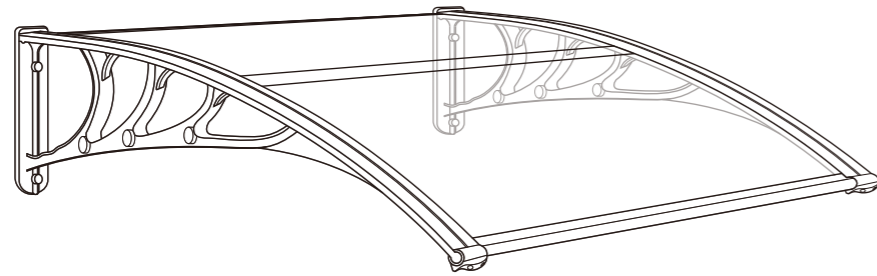
(1). If you need to assemble the canopy in larger sizes , you can follow the previous steps above to assemble the remaining parts.



(2). Please note that there are two small round holes in the upper back of Bracket #E, and the holes of the Bracket #E in the middle of the two awning needs to be fixed with screw #I.



**Congratulations, your awning has been installed!**



## III. RETURN / REPLACEMENT POLICY

### ■ Notice

Why don't we recommend returning the item by yourself?

- Huge cost- UPS/FedEx oversize fee.
- Need you to take the box to UPS/FedEx facility.

We stand behind our products and want you to be satisfied with them. We'll always do our best to take care of customers, and that's why we offer a straightforward, hassle-free return policy.

You have 30 days from the date of purchase to return any item purchased from our store.

Please securely pack the item in its original packaging, including any accessories or manuals that came with the product.

### Return Conditions

We accept the return of items that are in new, unused condition, with original tags attached and all original packaging and other components included. Refunds will be issued in the original form of payment for the price of the item, including taxes.

# V. WARRANTY DISCLAIMER

Thank you for your interest in the products and services .

This Limited Warranty applies to physical goods, and only for physical goods, purchased.

## 1. What does this limited warranty cover?

This Limited Warranty covers any defects in material or workmanship under normal use during the Warranty Period.

During the Warranty Period, we will repair or replace, at no charge, products or parts of a product that proves defective because of improper material or workmanship, under normal use and maintenance.

## 2. How long does the coverage last?

The Warranty Period of Physical Goods purchased from refers to the table below.

A replacement Physical Good or part assumes the remaining warranty of the original Physical Good or 180 days from the date of replacement or repair, whichever is longer.

Frame	★ 1 Year
Board	★ 6 Months

**This Limited Warranty does not cover any problem that is caused by:**

Conditions, malfunctions, or damage not resulting from defects in material or workmanship.

To obtain warranty service, you can contact us. Contact us to determine the issue and the appropriate solution for you. Before this you can take some photos of your product and send them to us, so that we can reply to you more quickly and accurately.