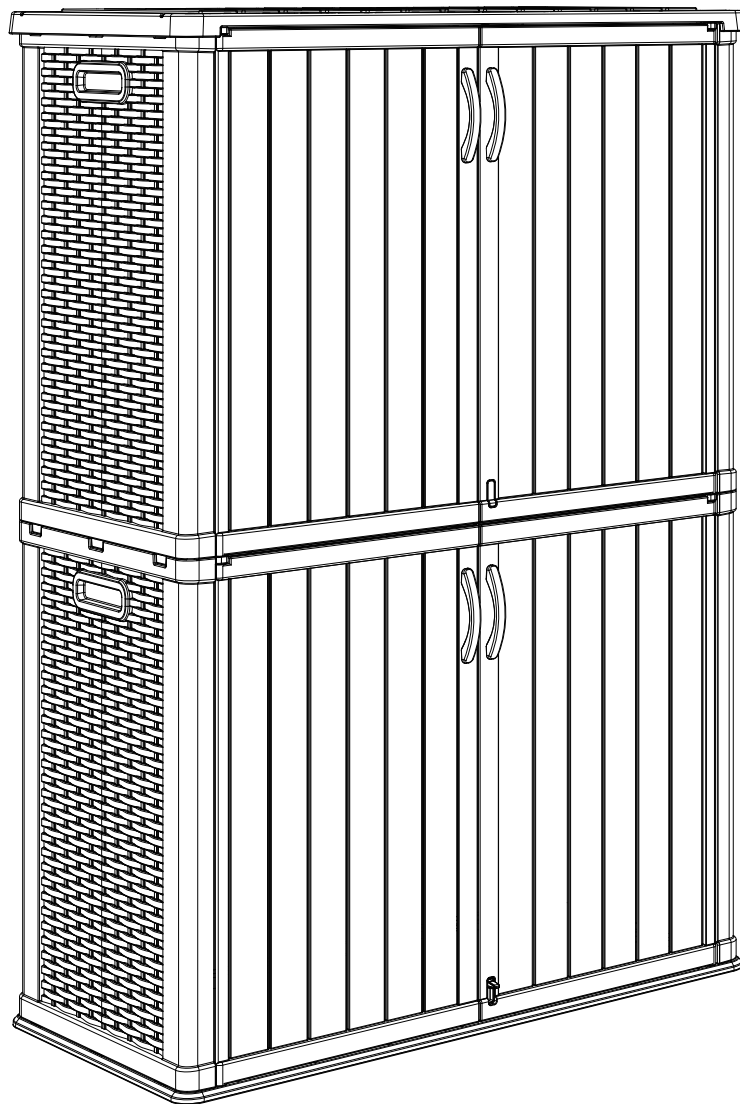


ASSEMBLY INSTRUCTIONS

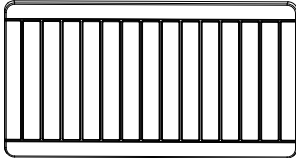
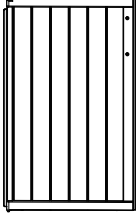
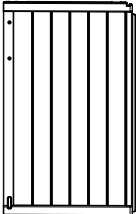
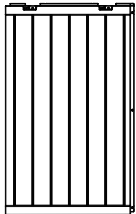
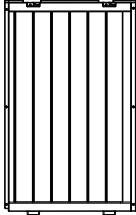
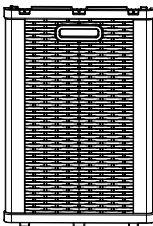
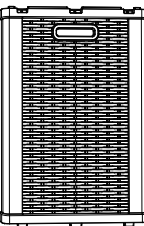
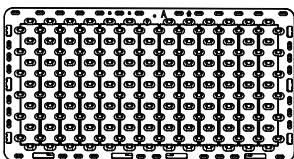

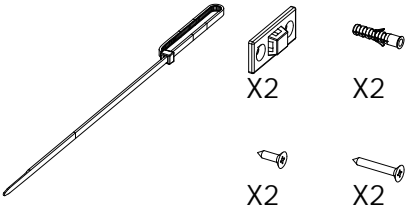
■ 1-Piece

Deck Box



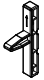



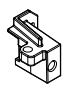
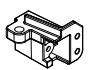

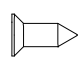
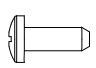
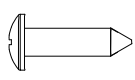
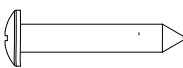
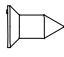
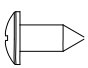
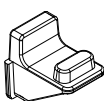
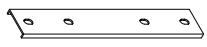
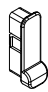
Parts

Check and make sure you get the components on the list, contact us for any missing.

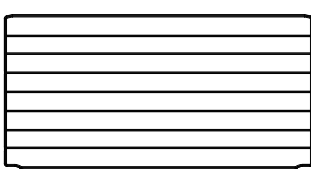

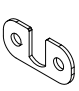
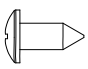
E		X1	D1		X2
D2		X2	B1		X2
B2		X2	CL		X2
CR		X2	A		X1
E-1		X1	H		X2

Parts

Check and make sure you get the components on the list, contact us for any missing.

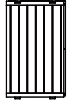
D2-4		X1	D2-5		X1
J1		X4	J2		X4
D1-1		X2	D2-1		X2
D2-6		X1	S1	 M5x14	X2
S2	 M5x14	X14	S3	 M6x20	X50
S4	 M6x35	X5	S5	 M5x12	X5
S6	 M6x14	X51	F-1		X32
G1		X12	D2-3		X1

If you purchase the shelves, you will also receive the following parts:

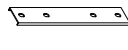
F		X4	F-2		X8
F-3		X8	S6	 M6x14	X18

Assembly steps

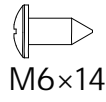
Step 1



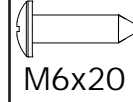
B1 (X2)



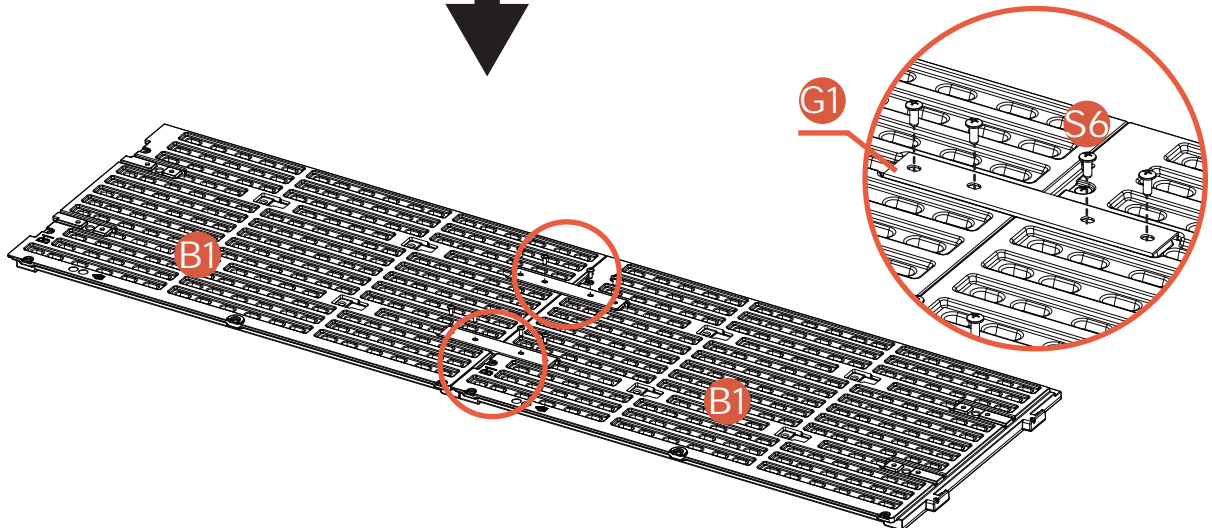
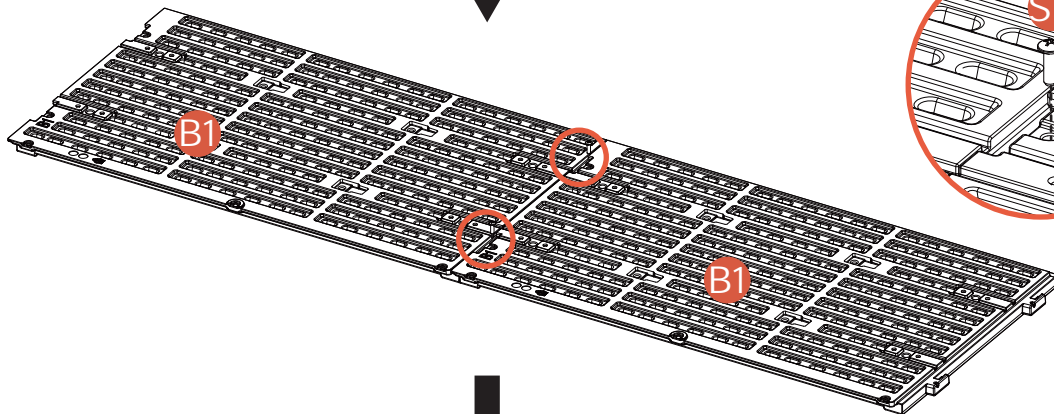
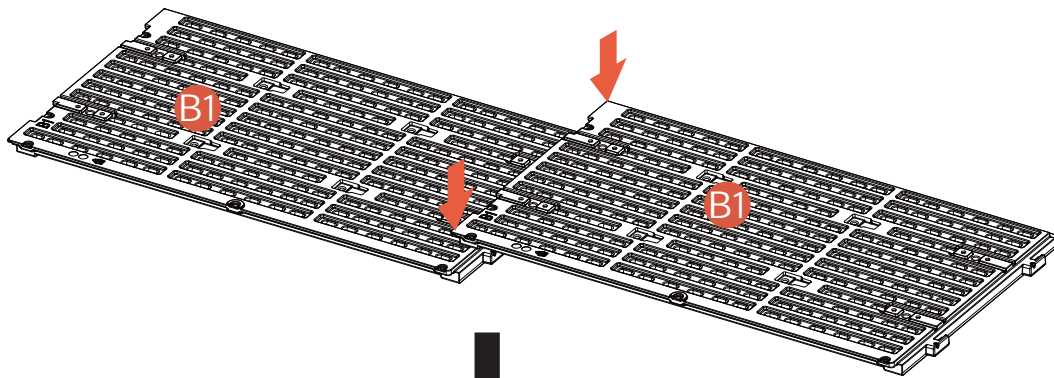
G1 (X2)



S6 (X8)

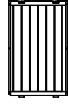


S3 (X2)

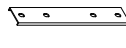


Assembly steps

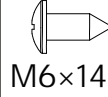
Step 2



B2 (X2)

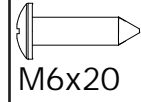


G1 (X2)



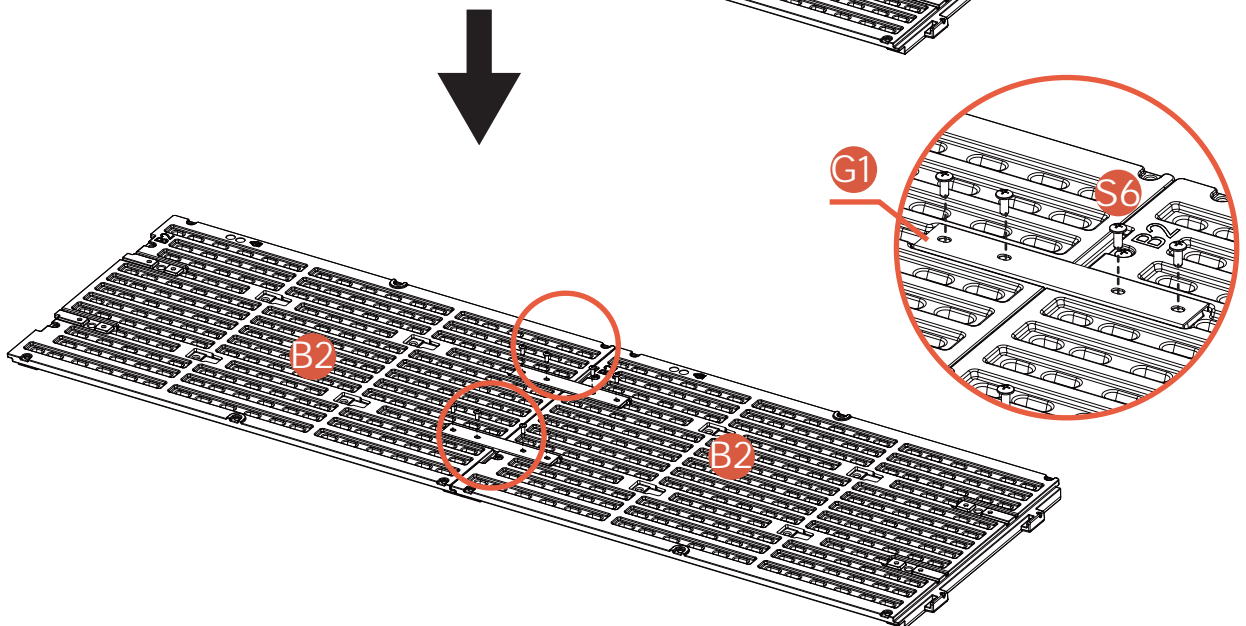
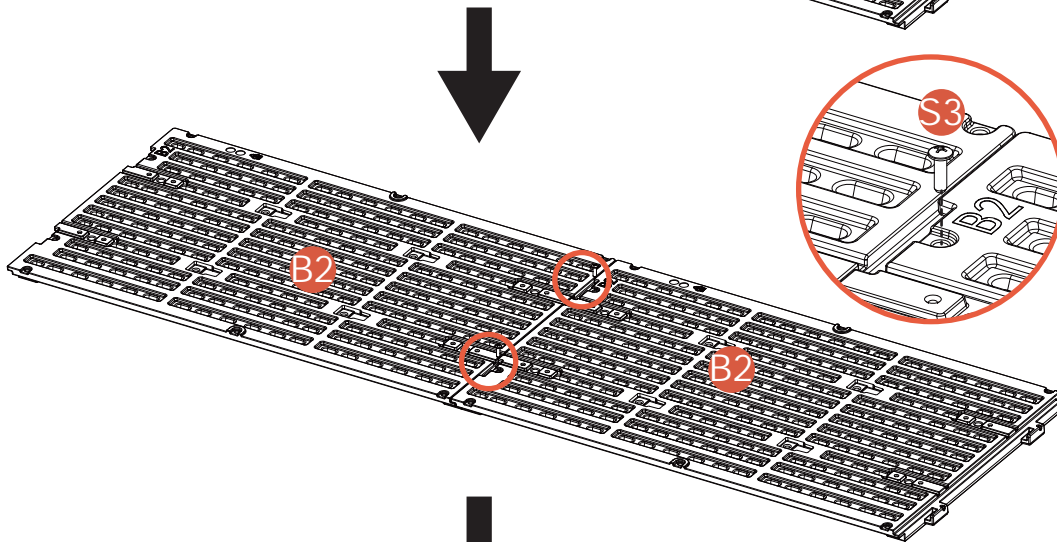
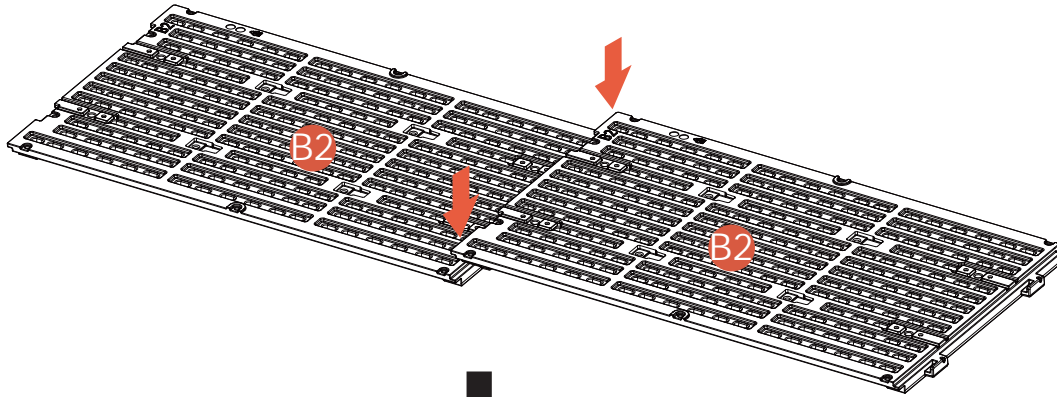
M6x14

S6 (X8)



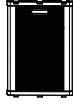
M6x20

S3 (X2)

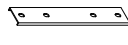


Assembly steps

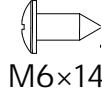
Step 3



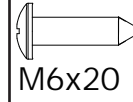
CL (X2)



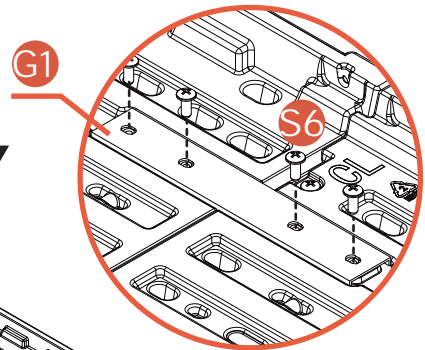
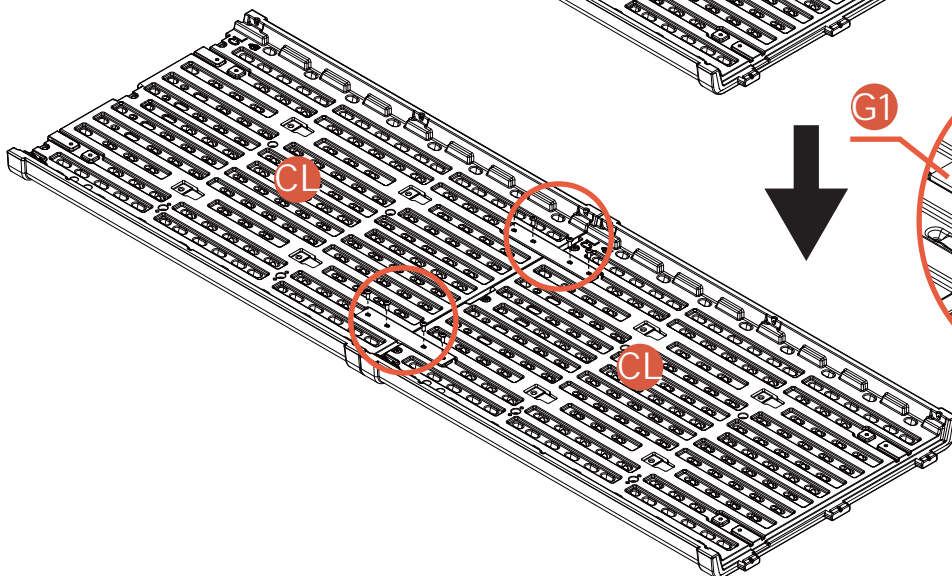
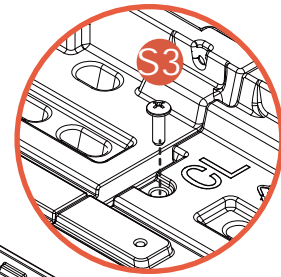
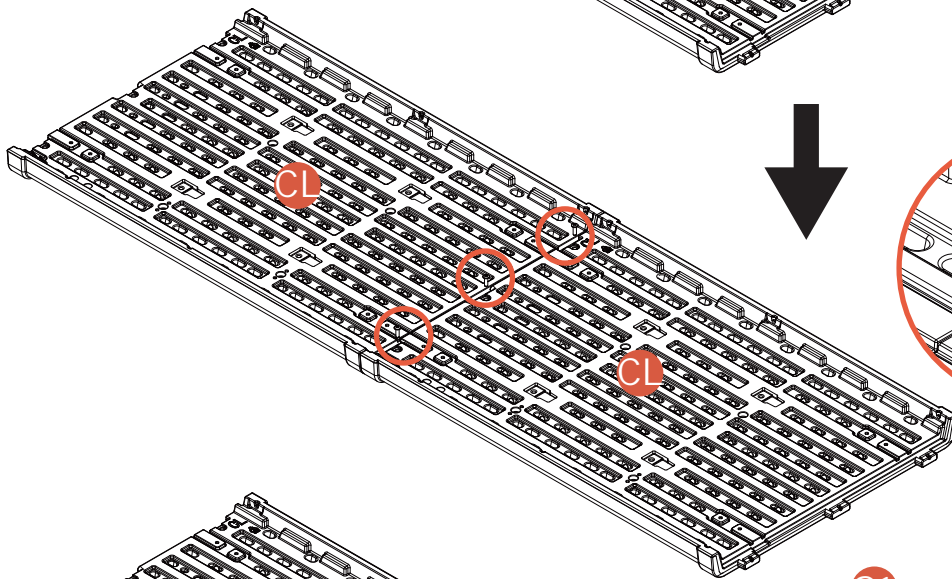
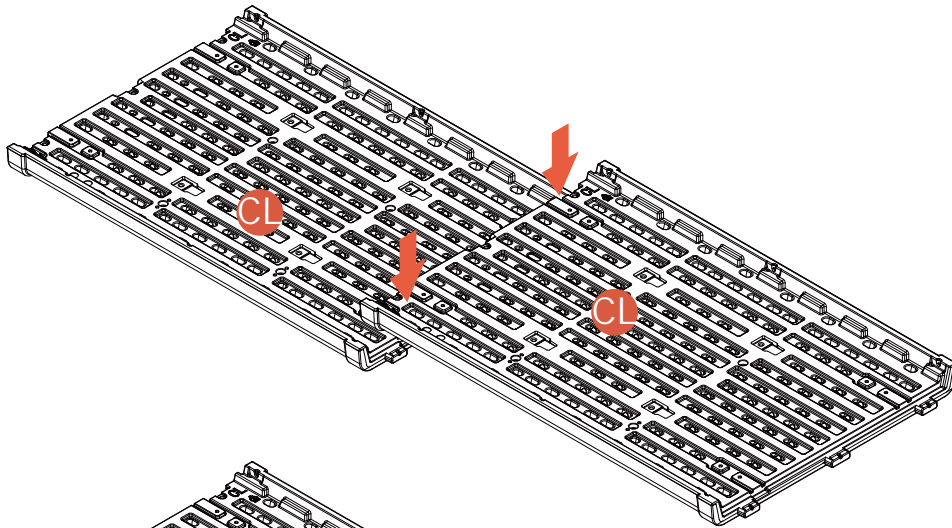
G1 (X2)



S6 (X8)



S3 (X3)

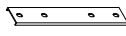


Assembly steps

Step 4



CR (X2)

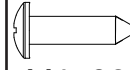


G1 (X2)



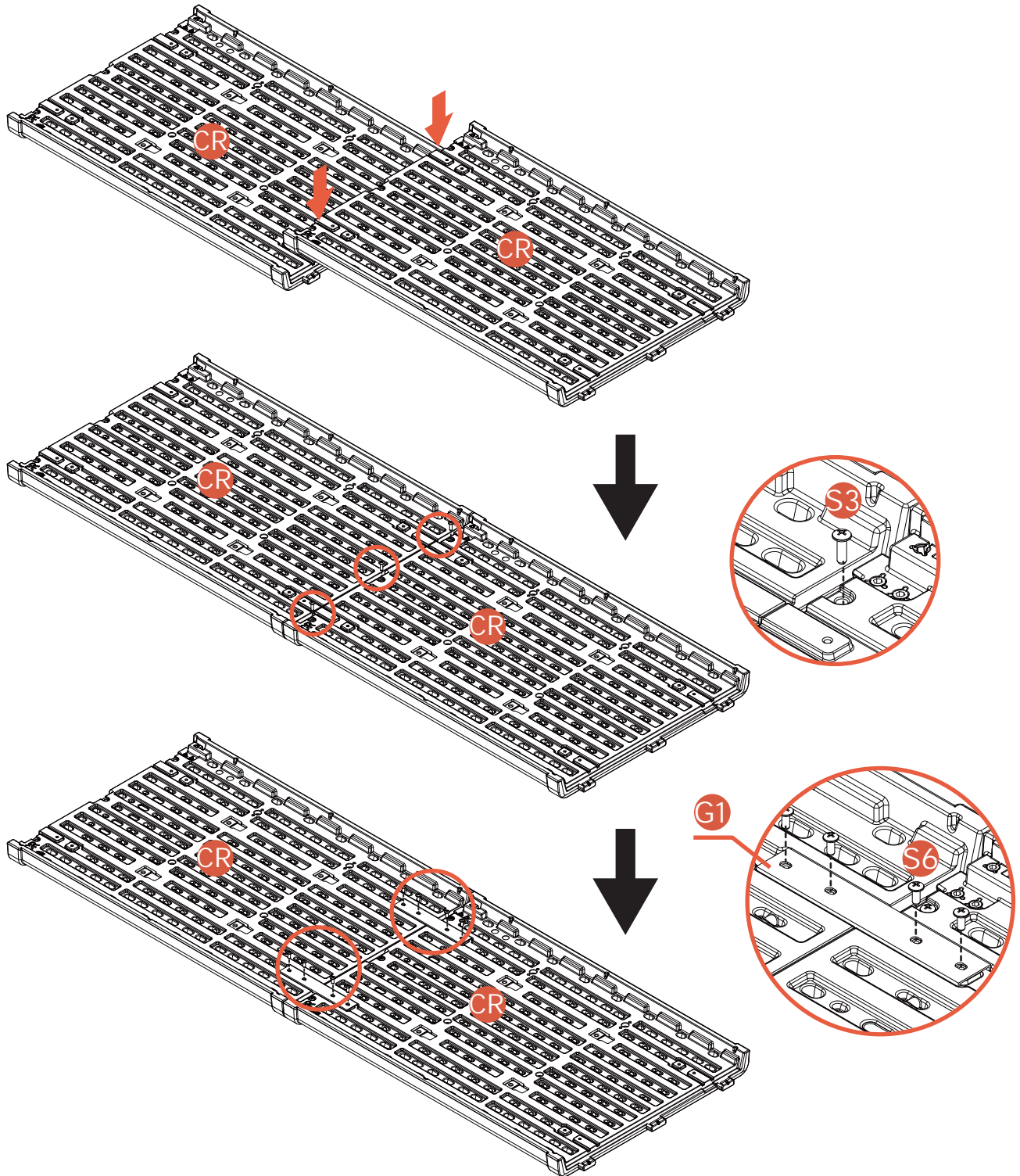
M6x14

S6 (X8)



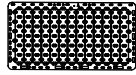
M6x20

S3 (X3)

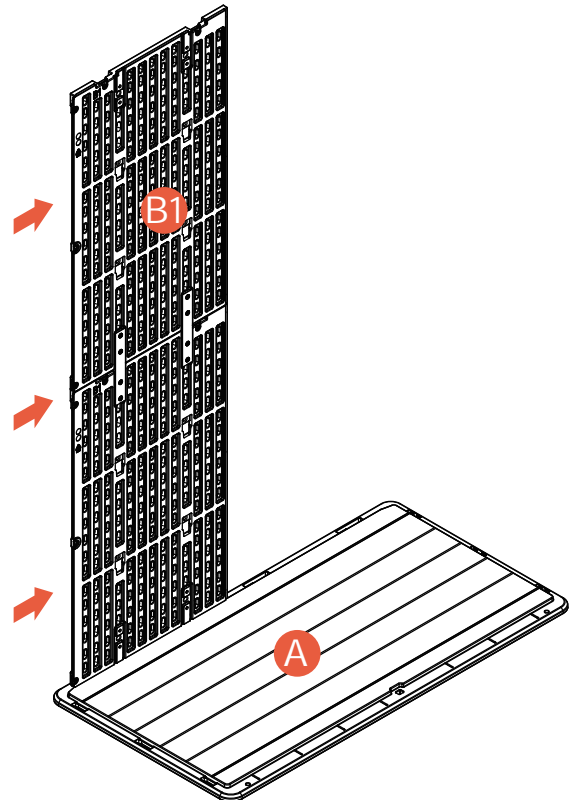
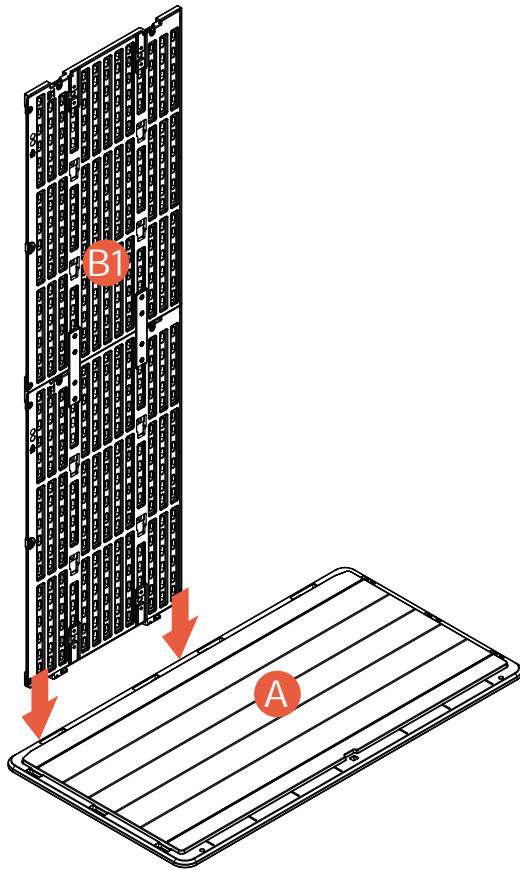


Assembly steps

Step 5

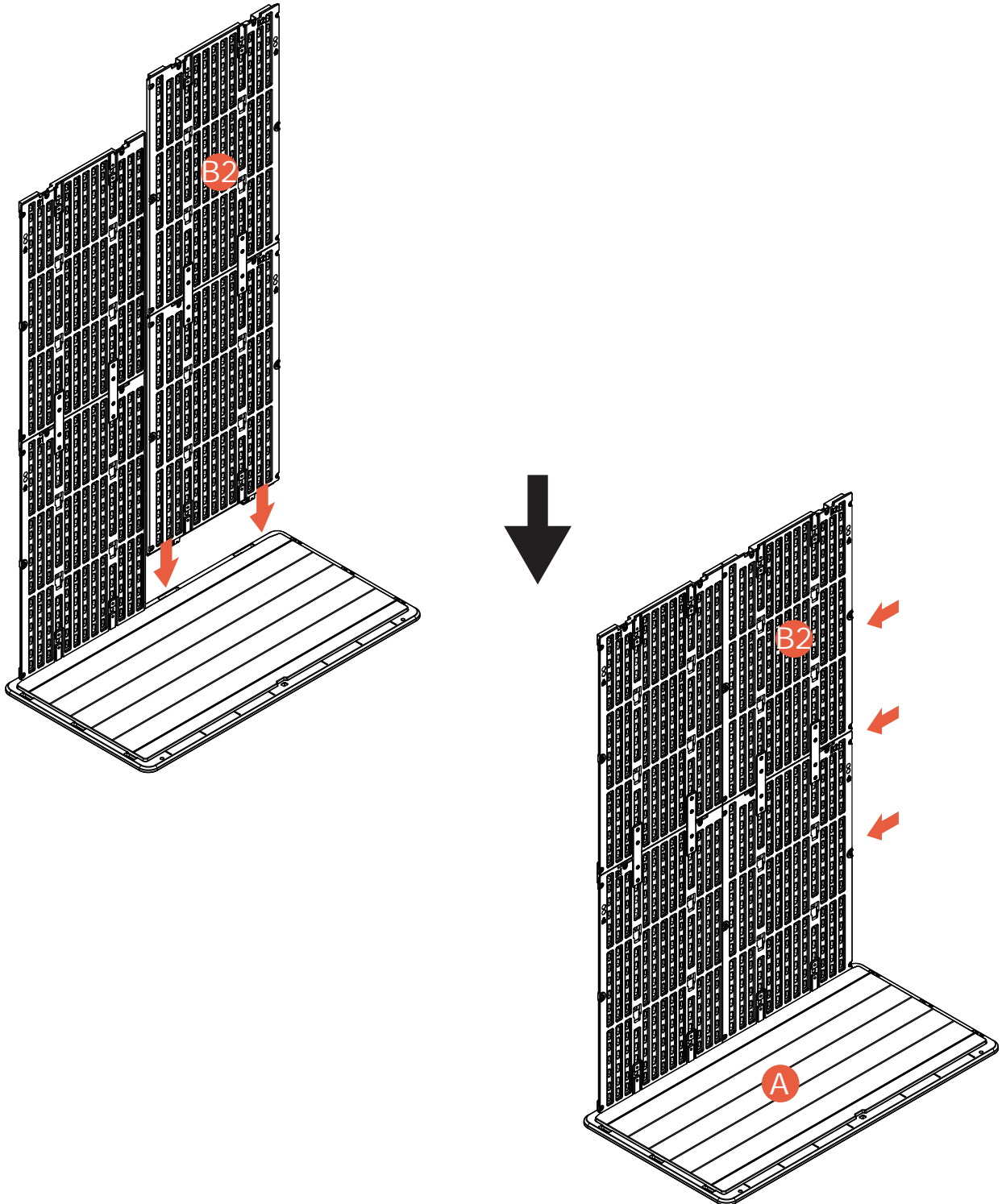


A (X1)



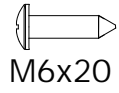
Assembly steps

Step 6



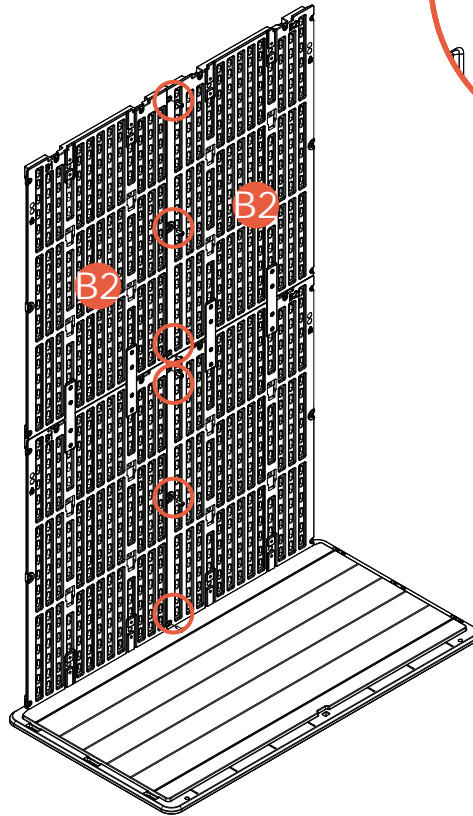
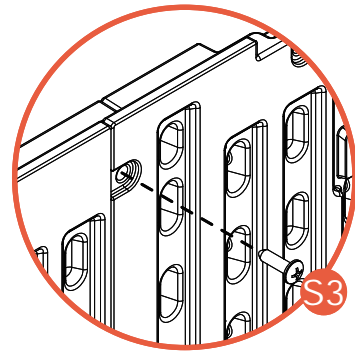
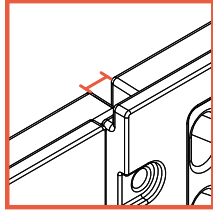
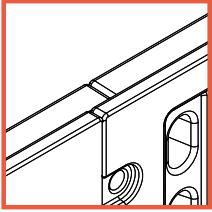
Assembly steps

Step 7



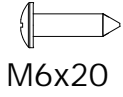
M6x20

S3 (X6)



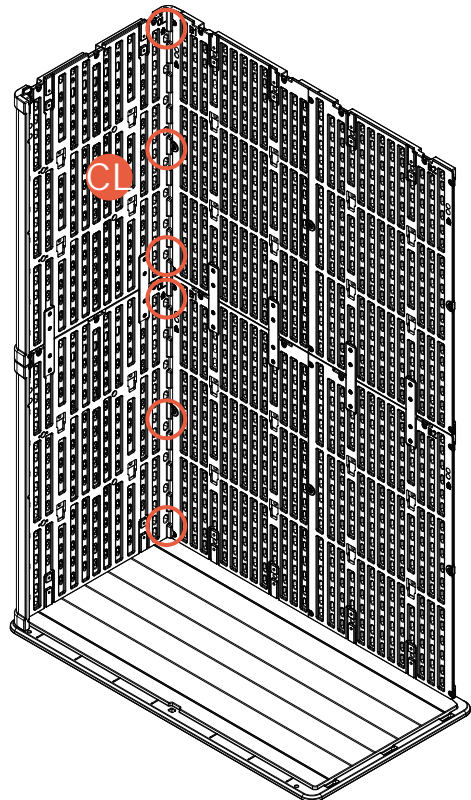
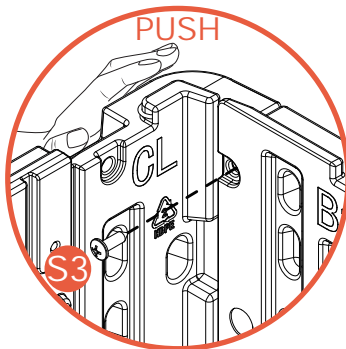
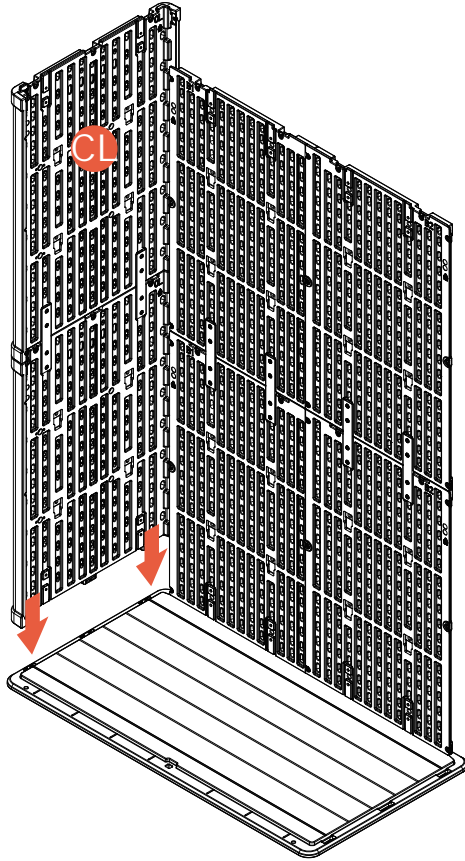
Assembly steps

Step 8



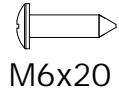
M6x20

S3 (X6)



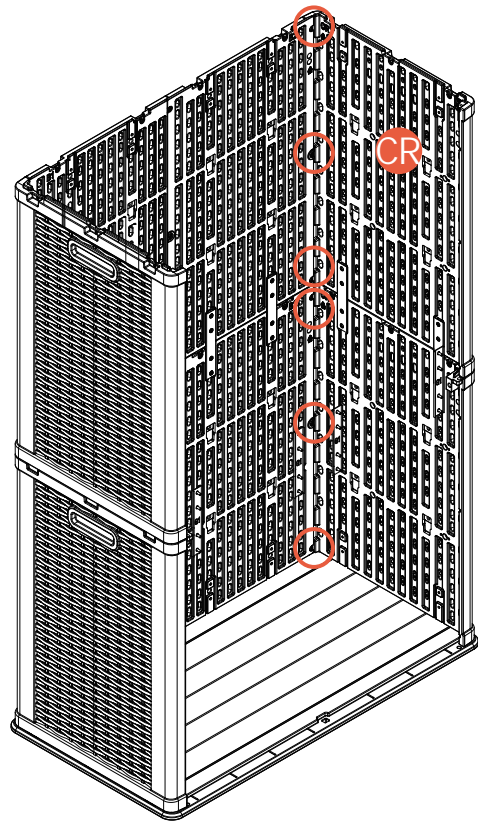
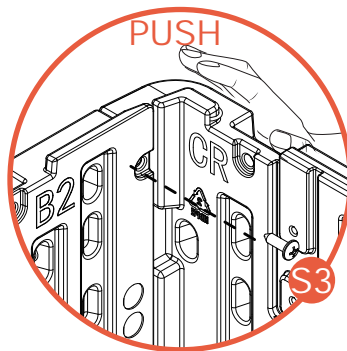
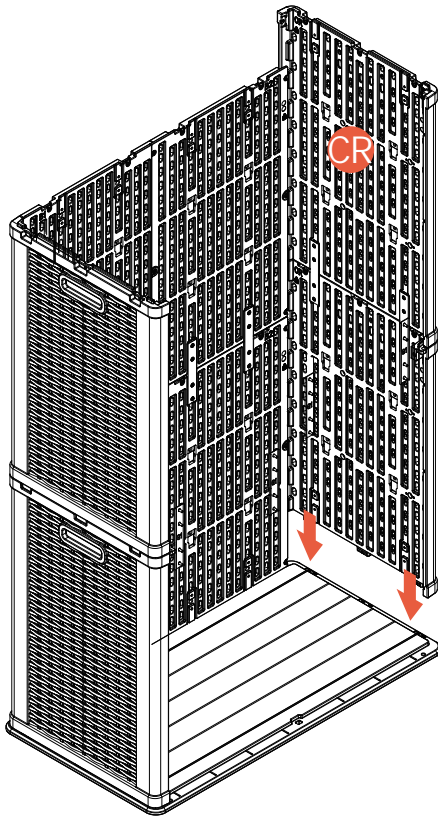
Assembly steps

Step 9

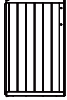
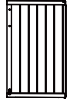


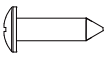


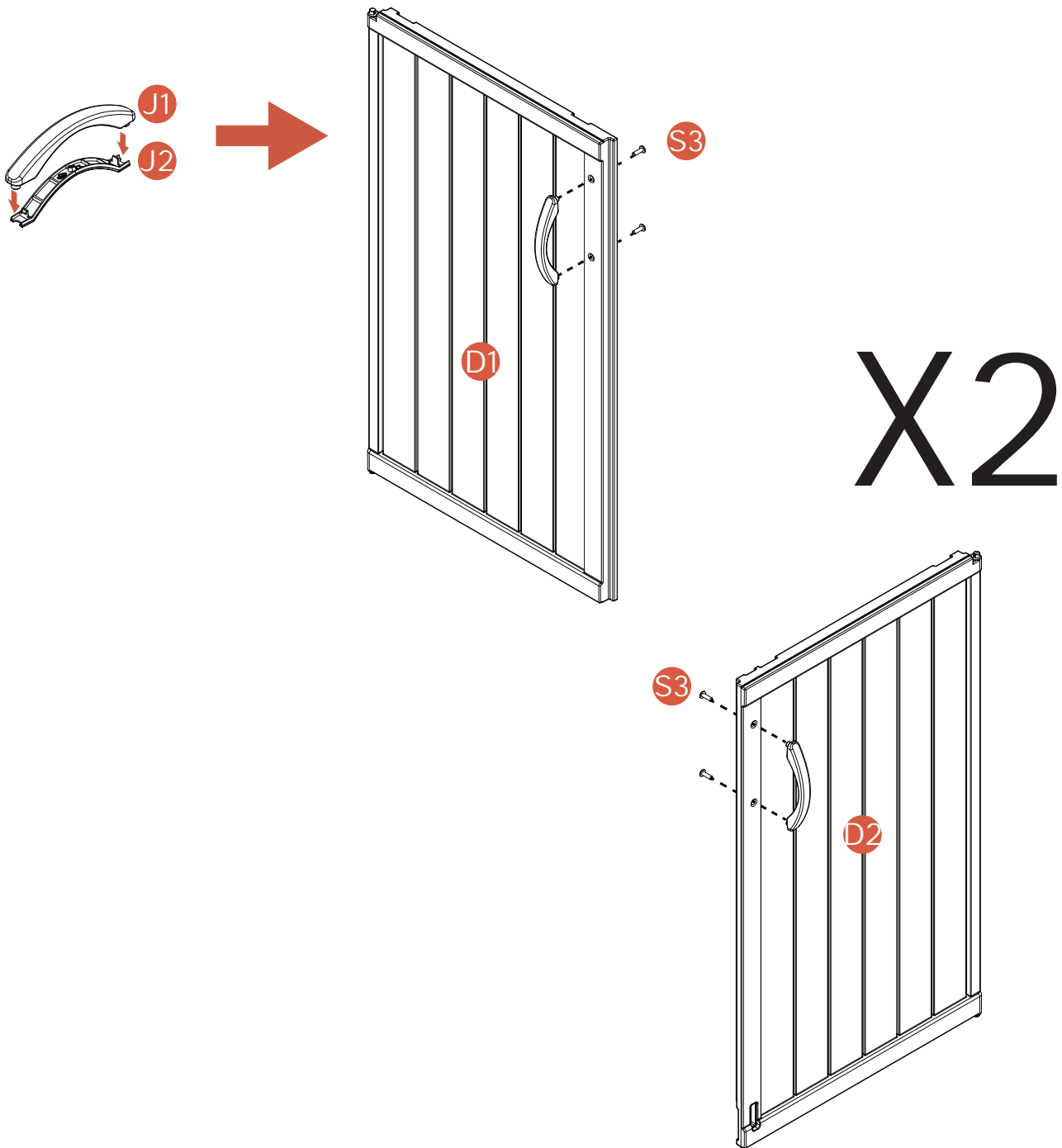
M6x20

S3 (X6)



Assembly steps

Step 10	 D1 (X2)	 D2 (X2)	 J1 (X4)
	 J2 (X4)	 S3 (X8) M6x20	



Assembly steps

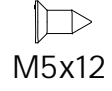
Step 11



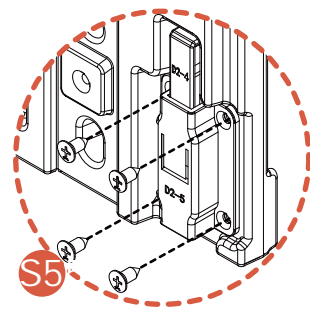
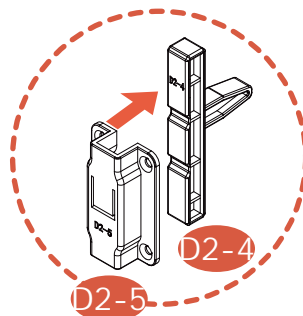
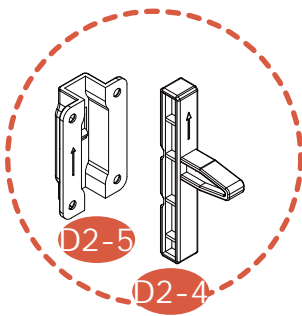
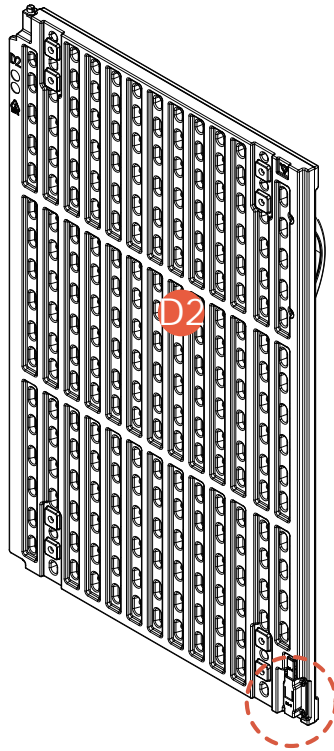
D2-4 (X1)



D2-5 (X1)




M5x12 S5 (X4)

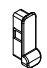


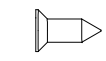
Please take note of the direction of the arrows.

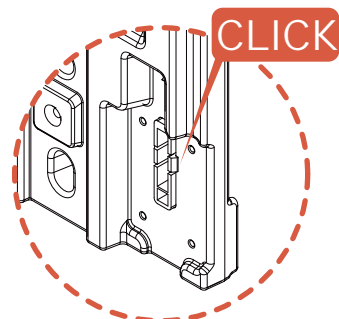
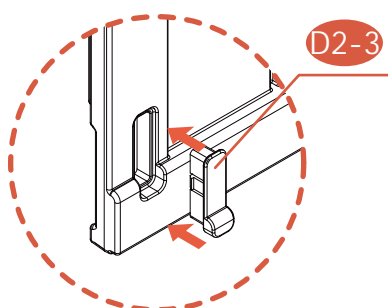
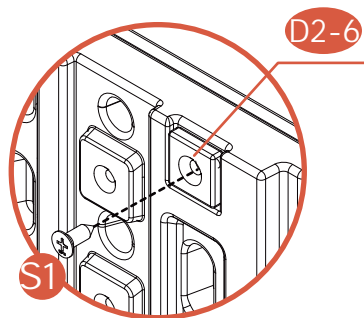
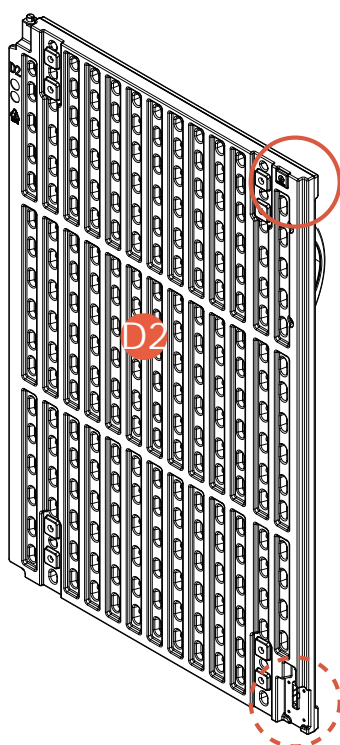
Assembly steps

Step 12

 D2-6 (X1)

 D2-3 (X1)

 S1 (X1)
M5x14



Assembly steps

Step 13

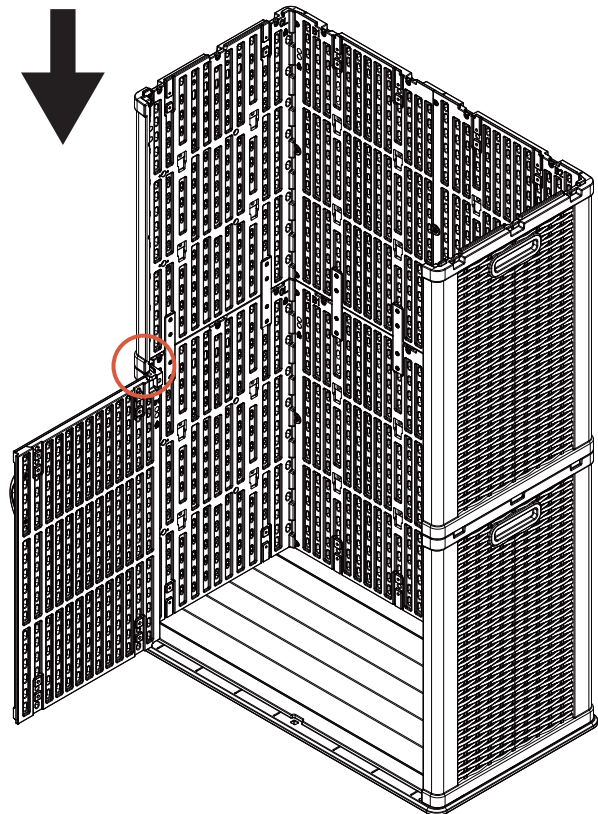
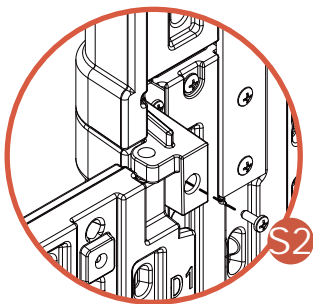
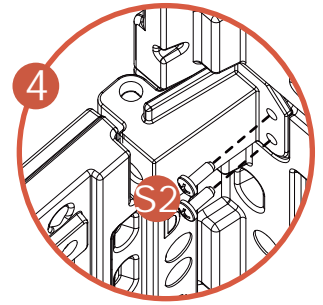
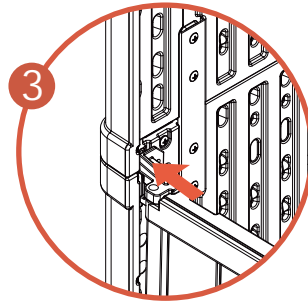
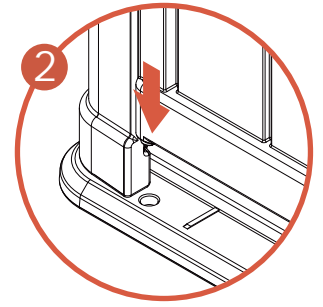
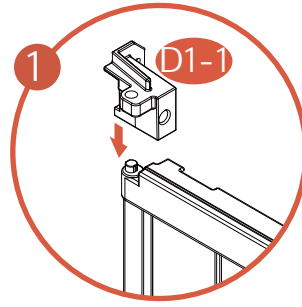
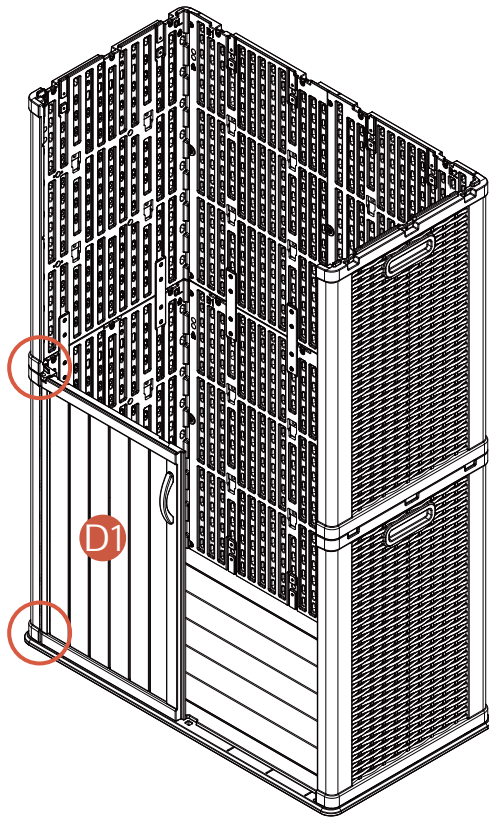


D1-1 (X1)



M5x14

S2 (X3)

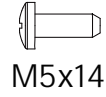


Assembly steps

Step 14

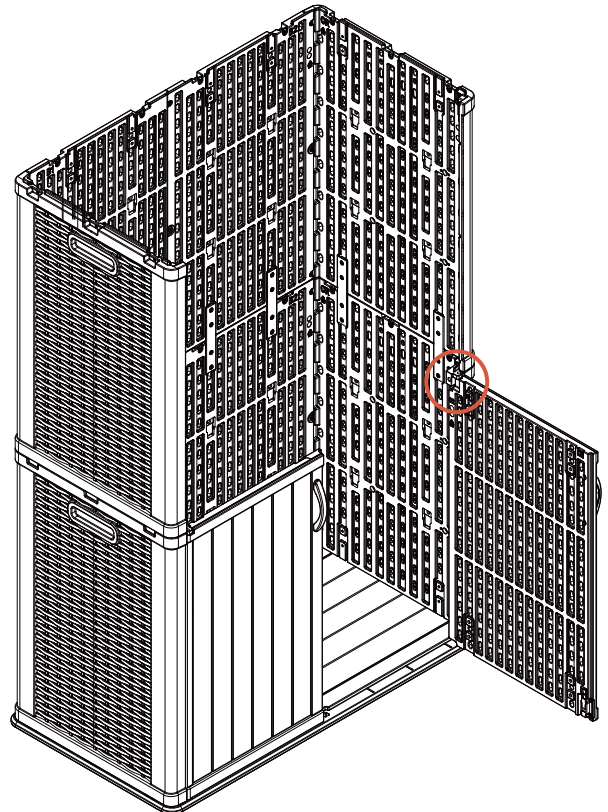
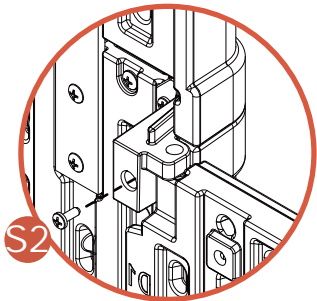
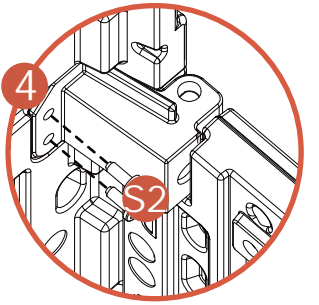
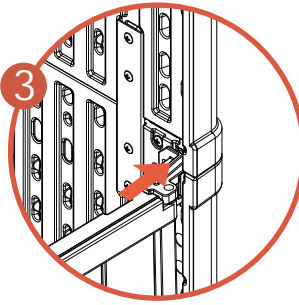
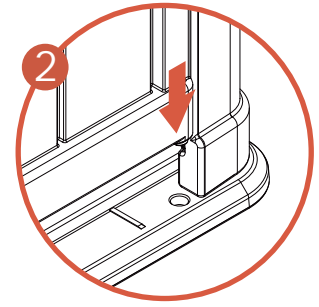
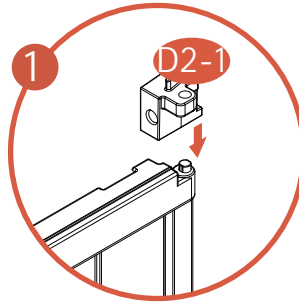
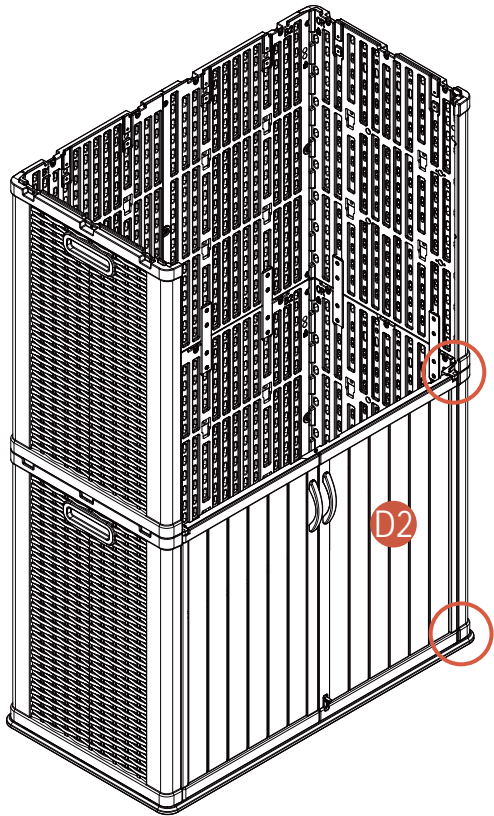


D2-1 (X1)



M5x14

S2 (X3)

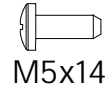


Assembly steps

Step 15

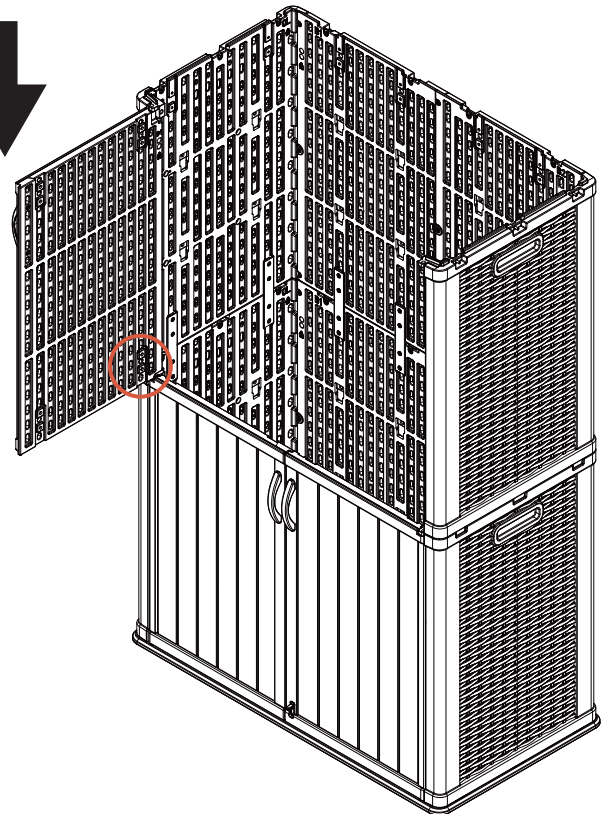
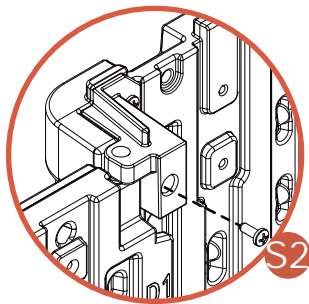
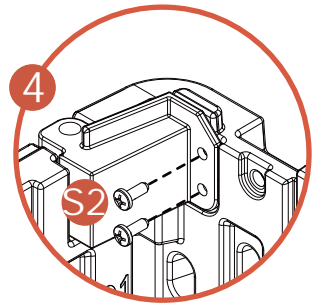
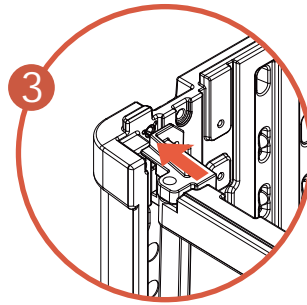
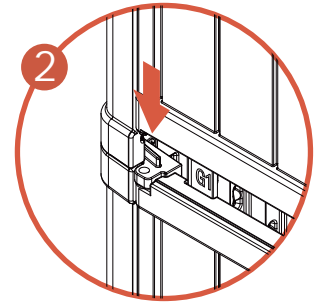
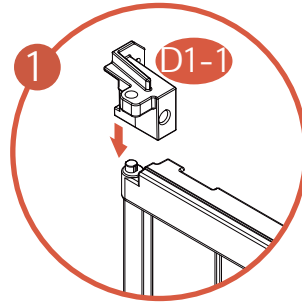
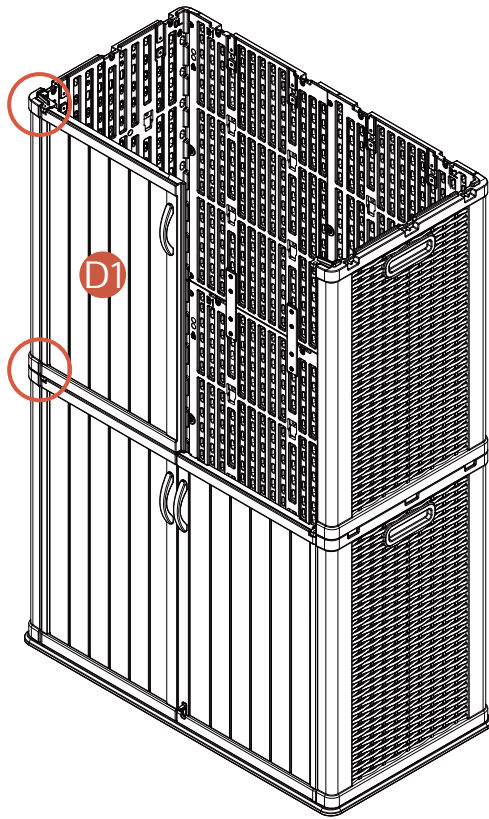


D1-1 (X1)



M5x14

S2 (X3)

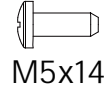


Assembly steps

Step 16

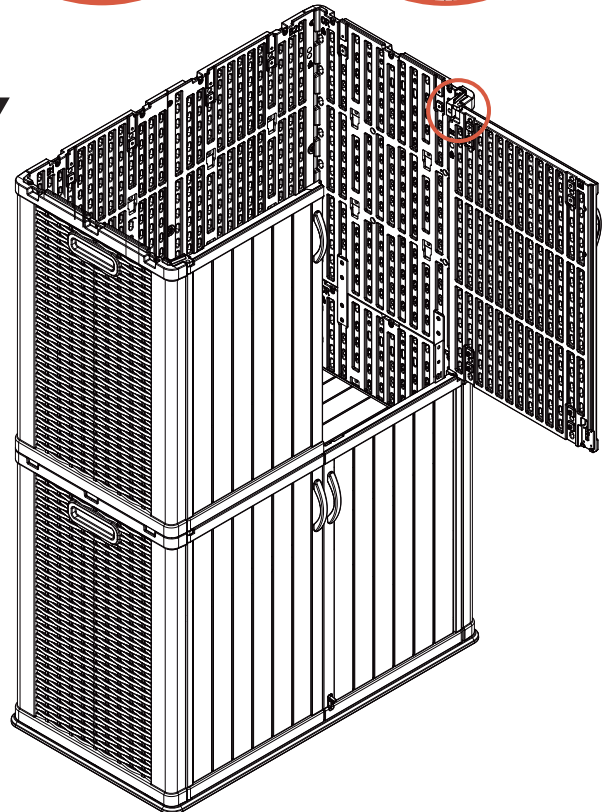
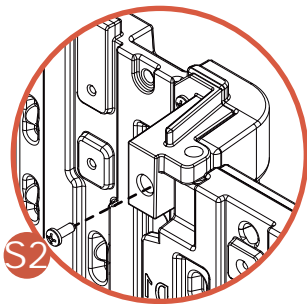
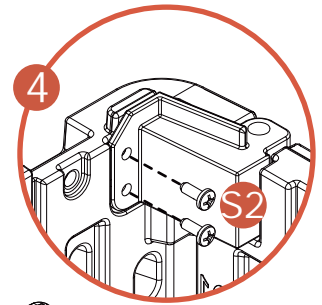
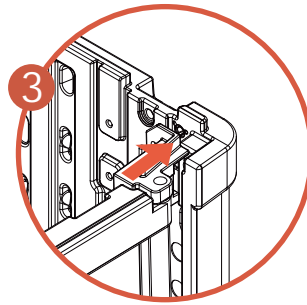
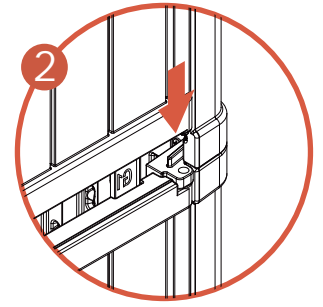
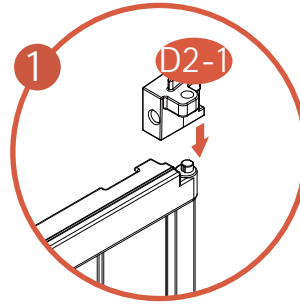
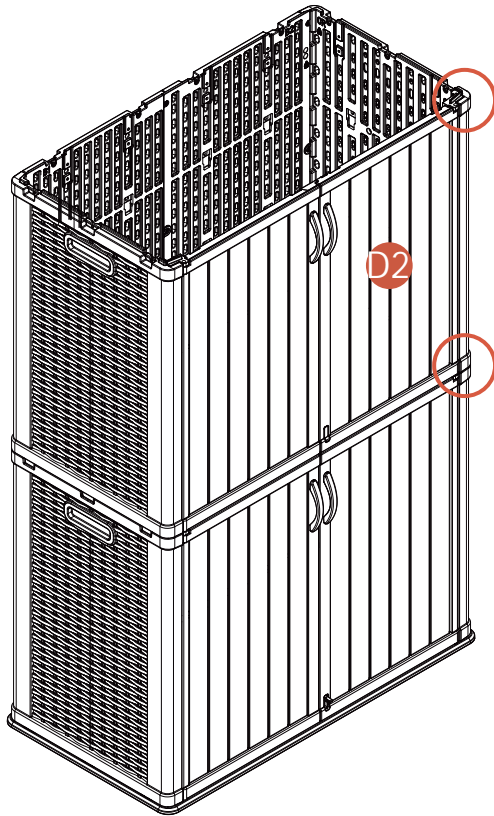


D2-1 (X1)



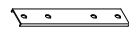
M5x14

S2 (X3)



Assembly steps

Step 17



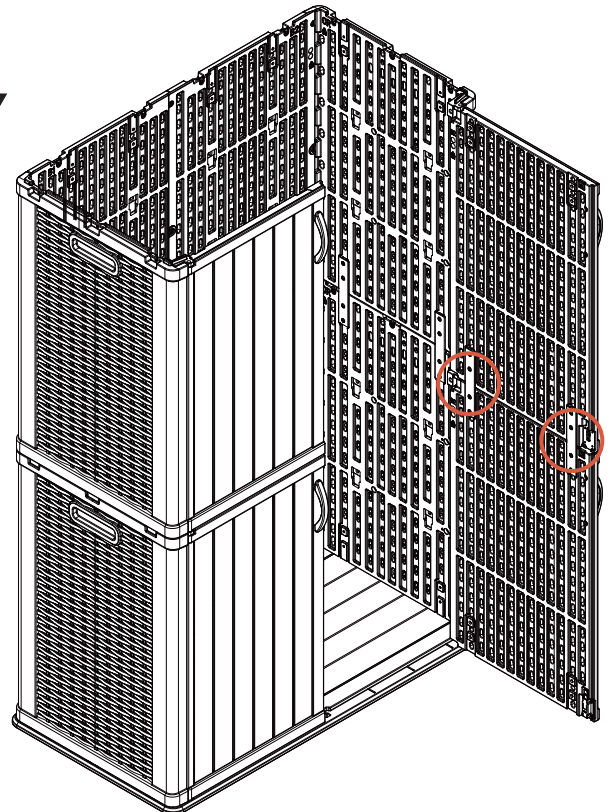
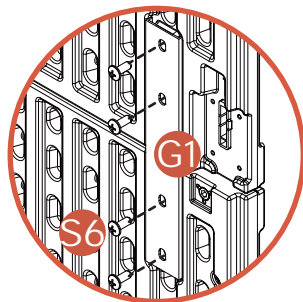
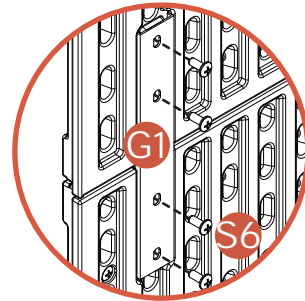
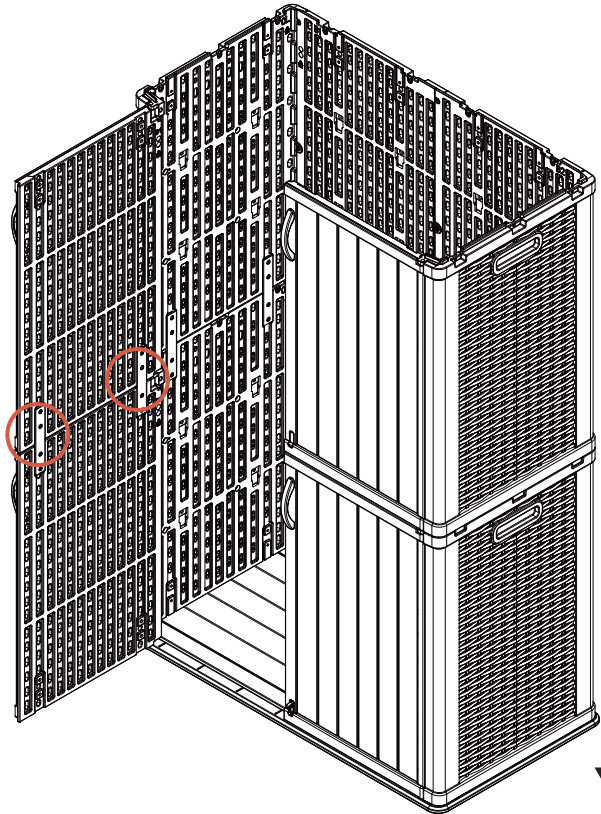
G1 (X4)



M6x14

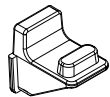
S6 (X16)

You can choose whether or not to do this step according to your own preferences.

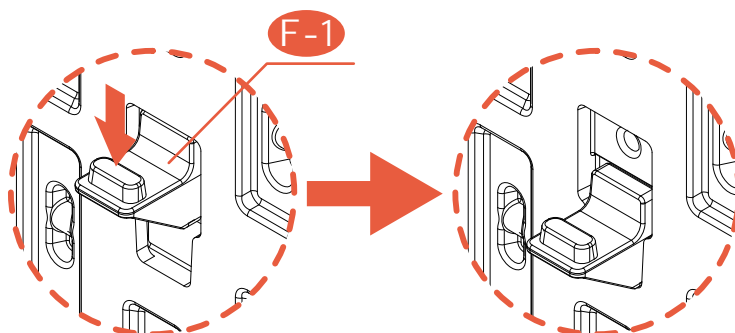
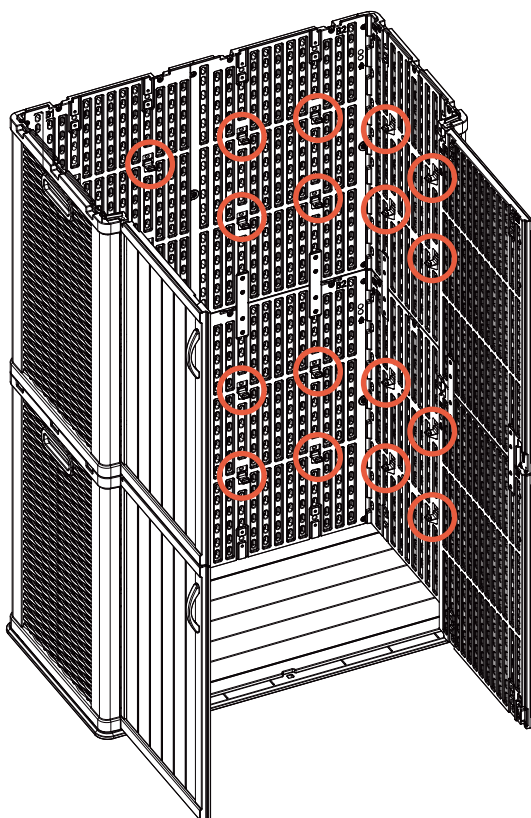


Assembly steps

Step 18


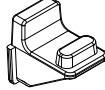
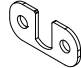
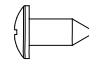


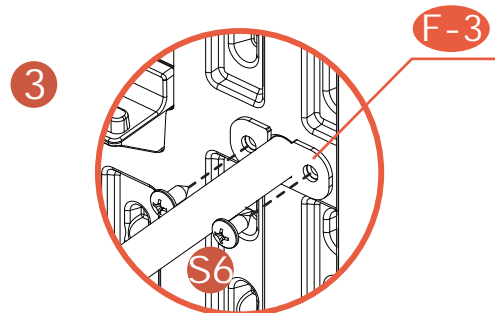
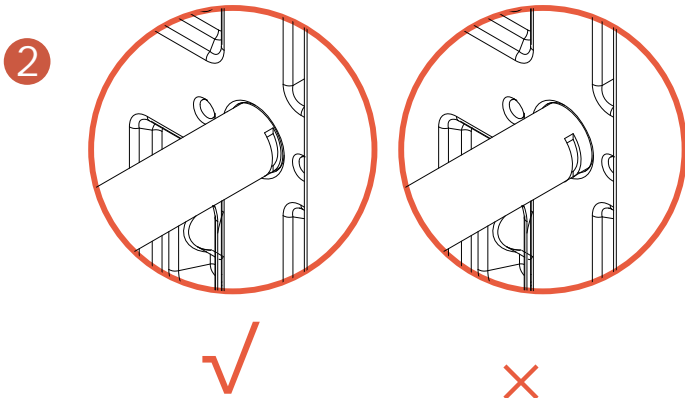
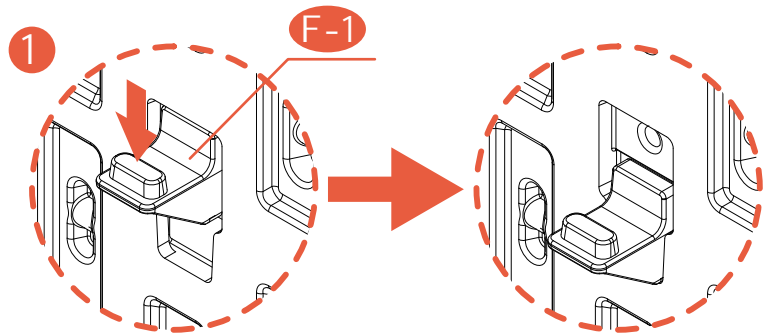
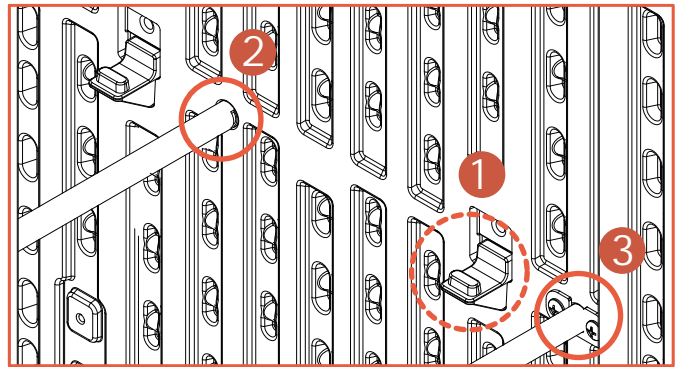
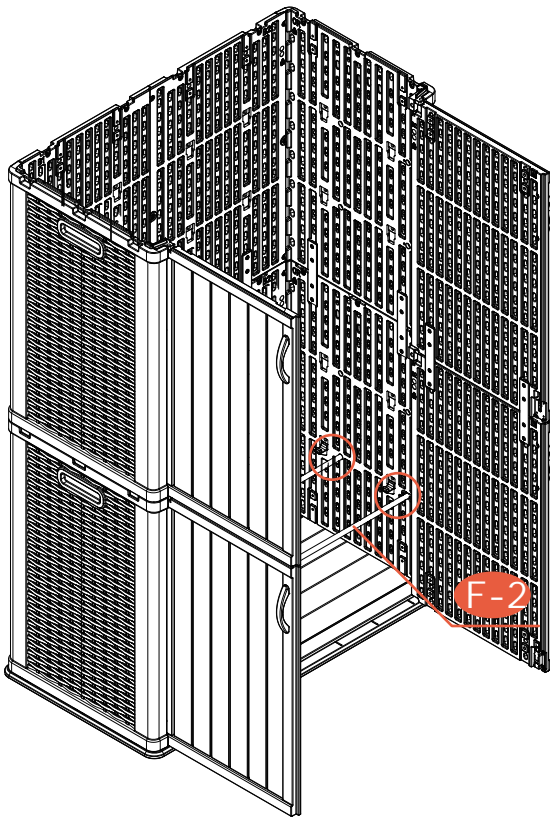
F-1 (X32)



*If you do not need to install the shelves, please skip to STEP 22.

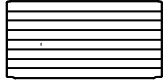
Assembly steps

Step 19	 F-2 (X2)	 F-1 (X8)
	 F-3 (X2)	 M6x14 S6 (X4)

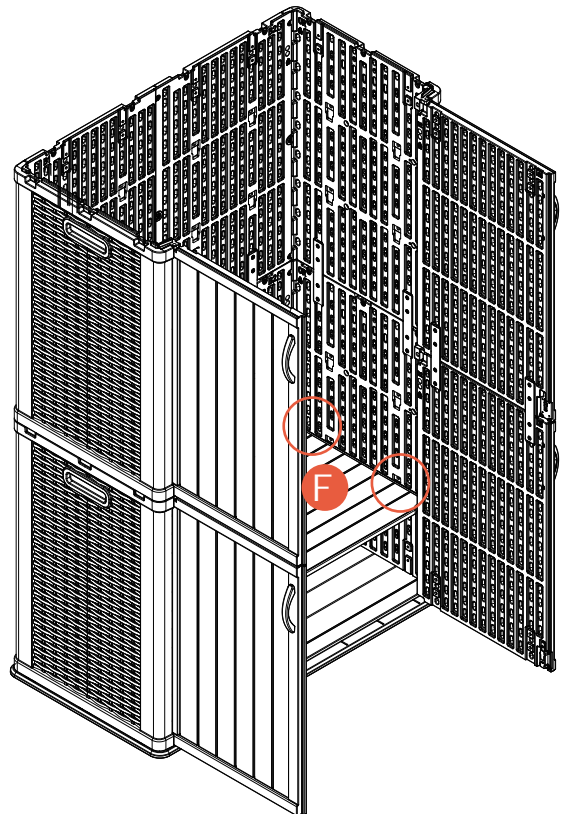
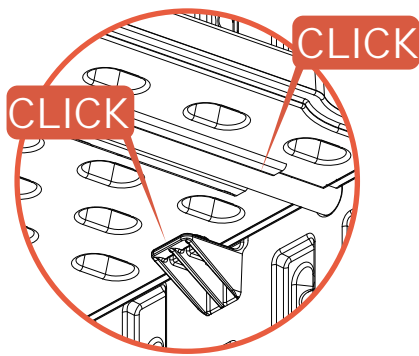
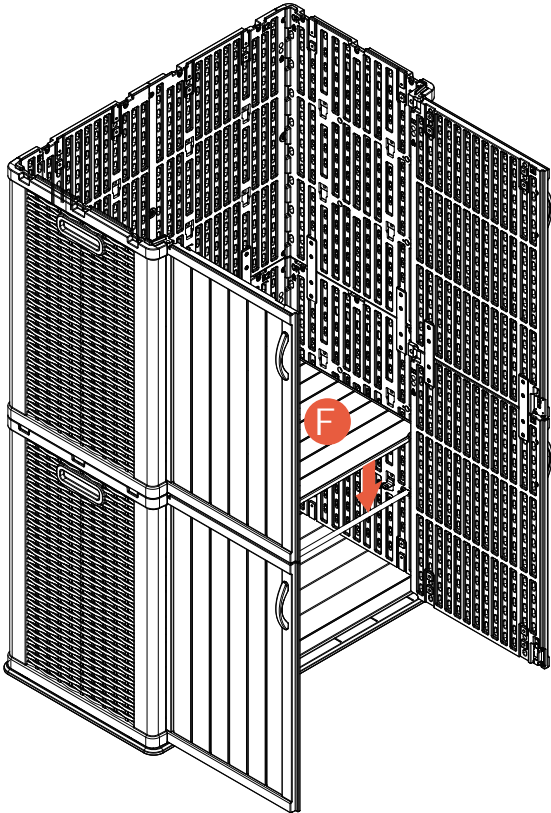


Assembly steps

Step 20



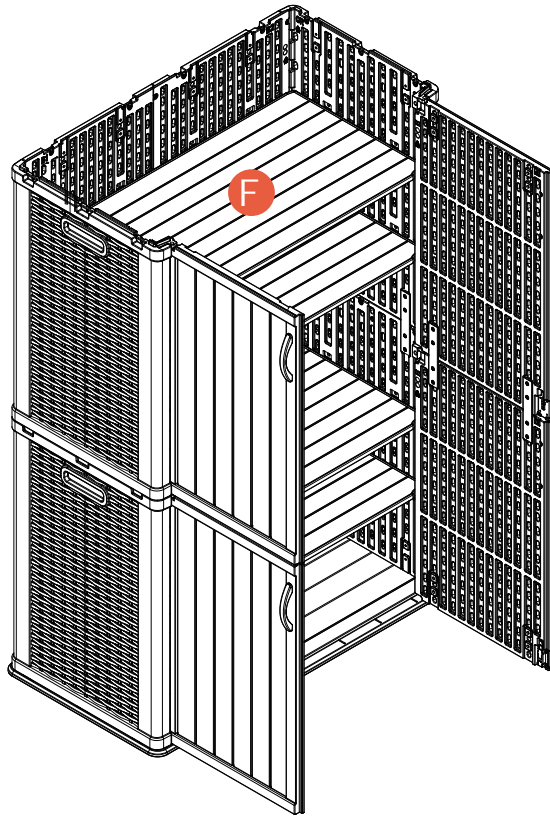
F (X1)



Assembly steps

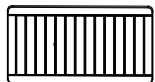
Step 21

Refer to STEP 19 STEP 20 for installation of the remaining shelves.

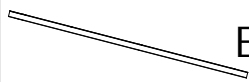


Assembly steps

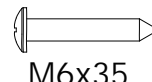
Step 22



E (X1)

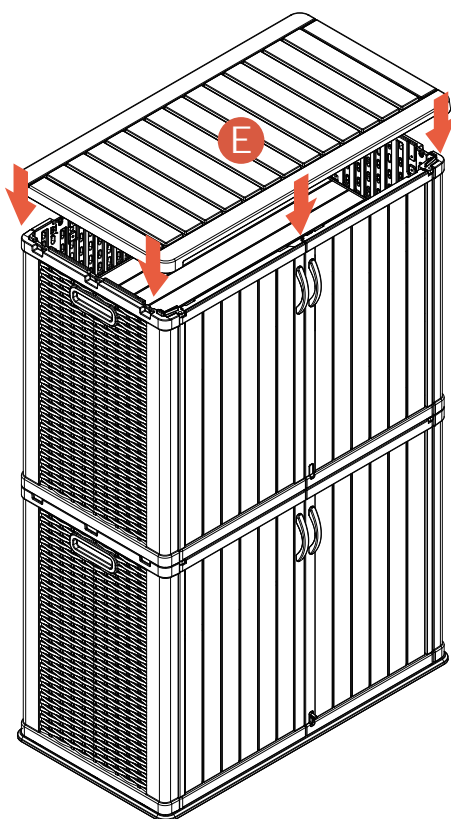
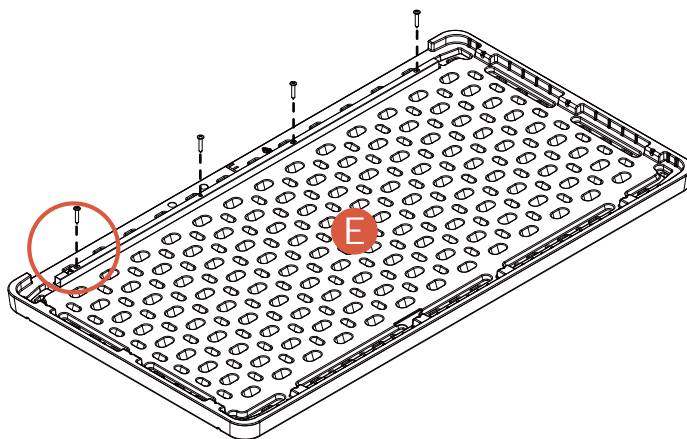
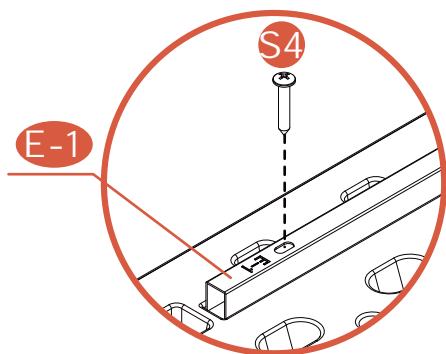


E-1 (X1)



M6x35

S4 (X4)



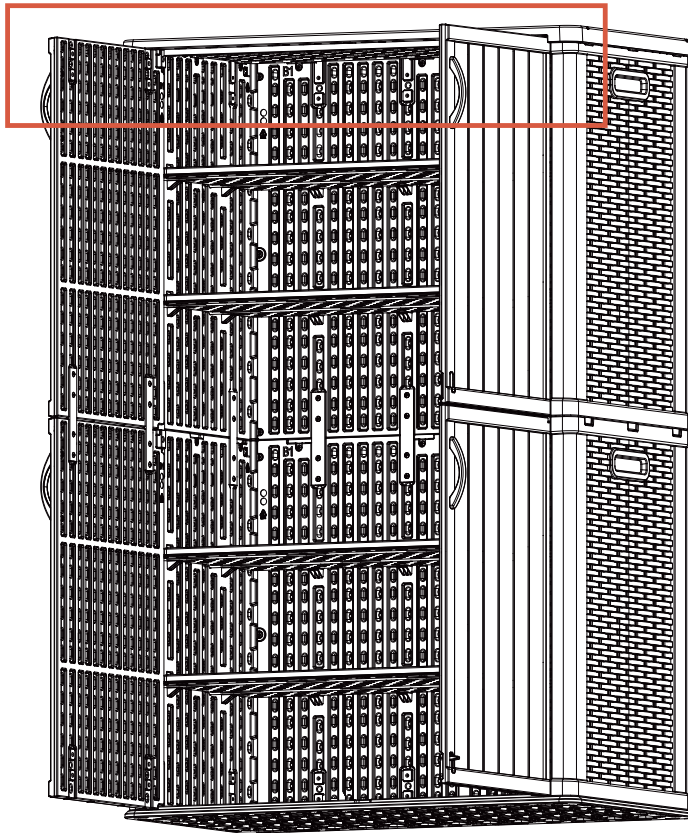
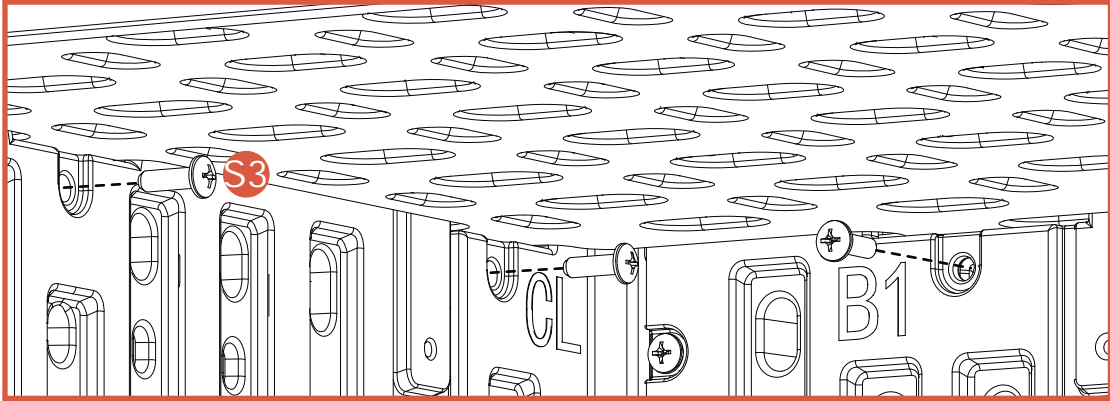
Assembly steps

Step 23

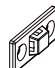






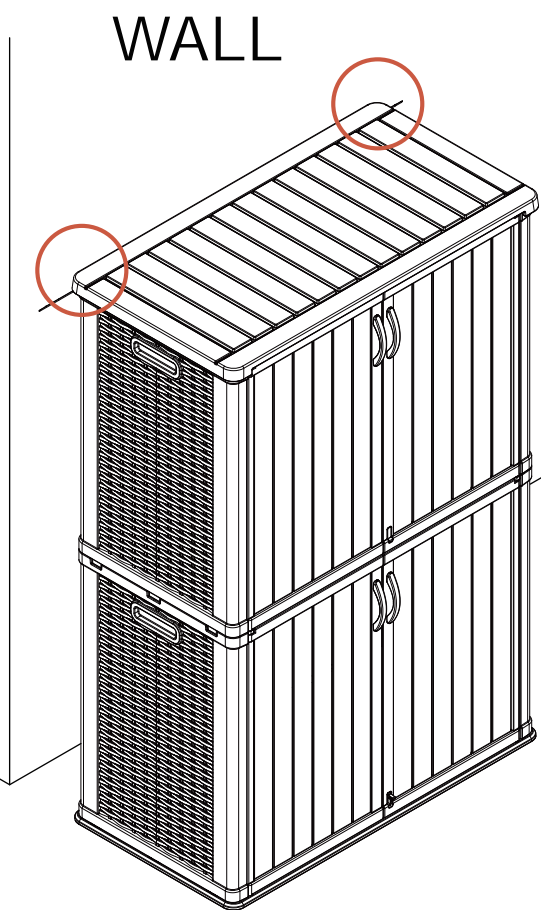
M6x20

S3 (X10)



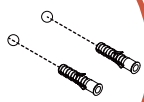
Assembly steps

Step 24	 X2	 X2	 X2	 X2		H (X2)
---------	--	--	--	--	---	--------



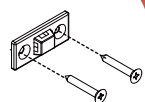
WALL

1 WALL



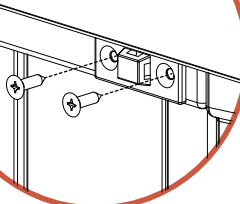
1. Set the position on the wall and then drive expansion screws.

2 WALL



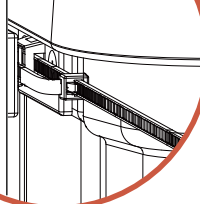
2. Use longer screws to fix the iron parts to the wall.

3



3. Use shorter screws to fix the iron pieces on the cabinet.

4 WALL



4. Use the tie through the holes in the iron, connecting the wall with the iron on the cabinet to prevent the cabinet from tipping over.