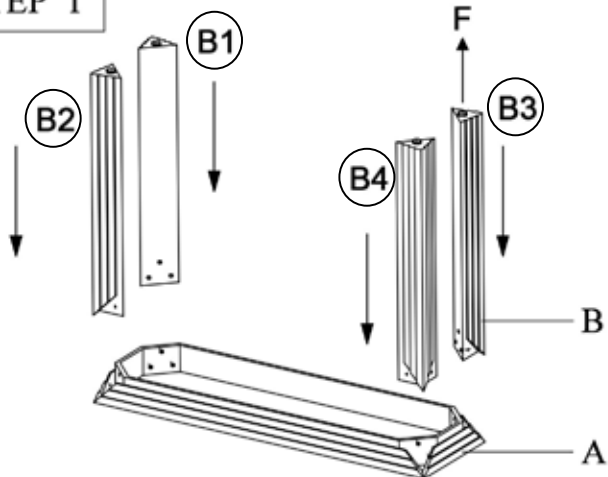


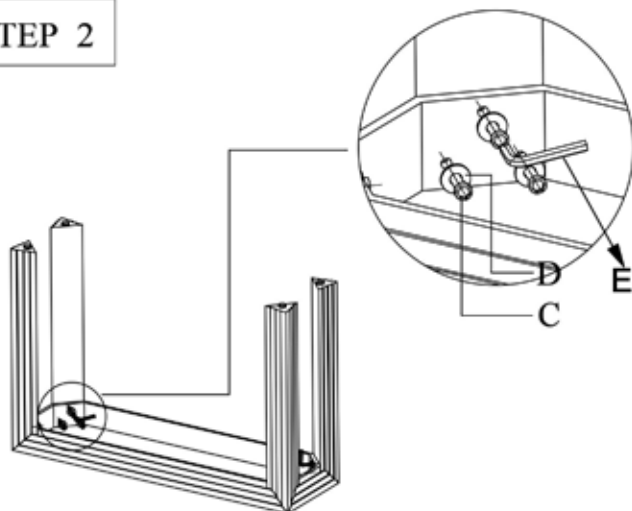
# Assembly Instructions

Do not fully tighten screws until completely assembled

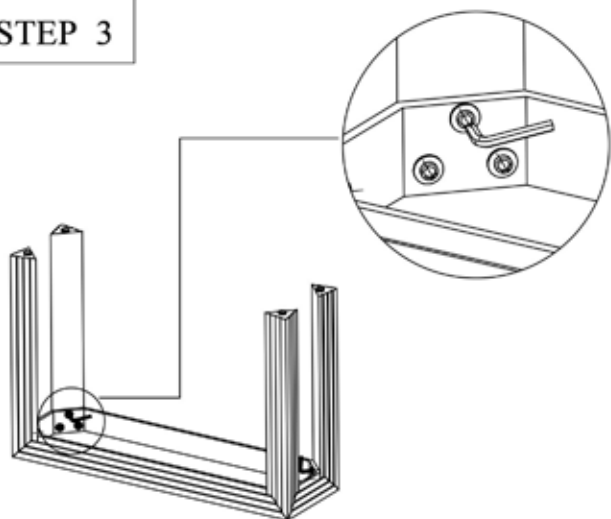
## STEP 1



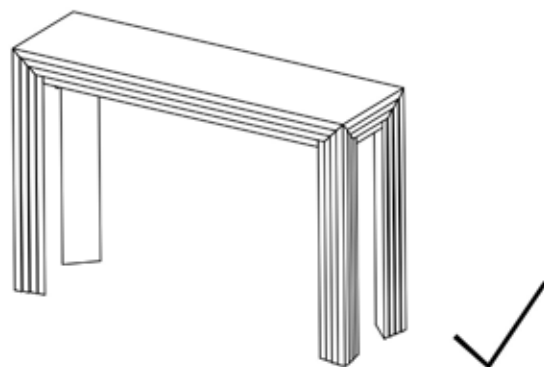
## STEP 2



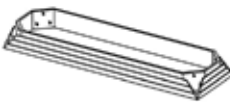


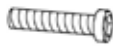


## STEP 3



## STEP 4



### Hardware Included

<b>A</b>		<b>1</b>	<b>B</b>		<b>4</b>	<b>E</b>		<b>1</b>
<b>C</b>		<b>12</b>	<b>D</b>		<b>12</b>	<b>F</b>		<b>4</b>