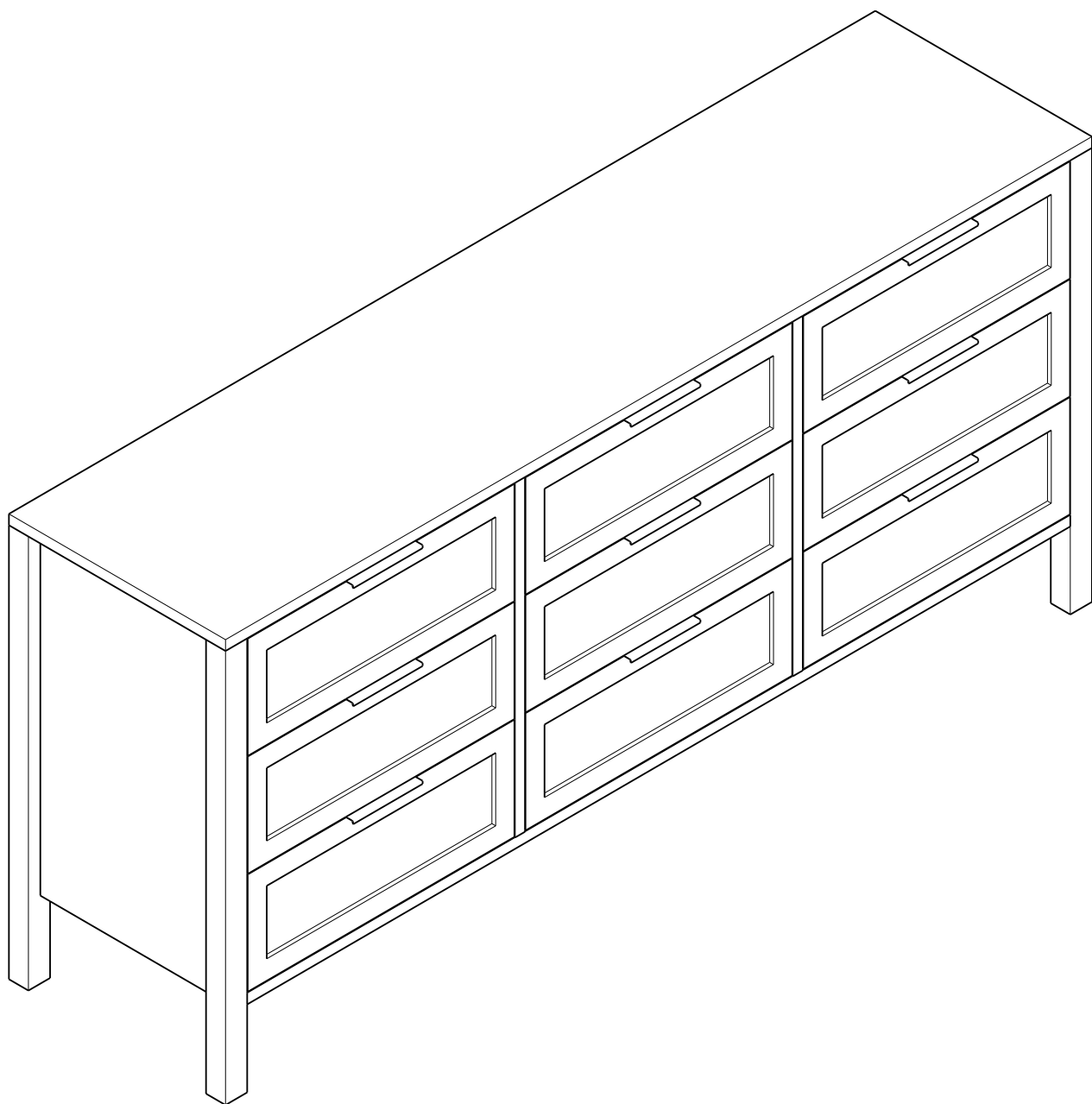


Assembly Instructions



warning notice



- Open your item in the area you plan to keep it for less heavy lifting.



- Identify, sort, and count the parts before attempting assembly.



-Lay all parts on smooth flat surface.



-Make sure to always face the point on the top of the Cam Lock towards the outer edge.



-Do NOT use harsh chemicals or abrasive cleaners on this item.



- Never push, pull, or drag your furniture.



Teamwork

Failure to use 2 people for assembly could result in unit damage or personal injury.

Before You Start

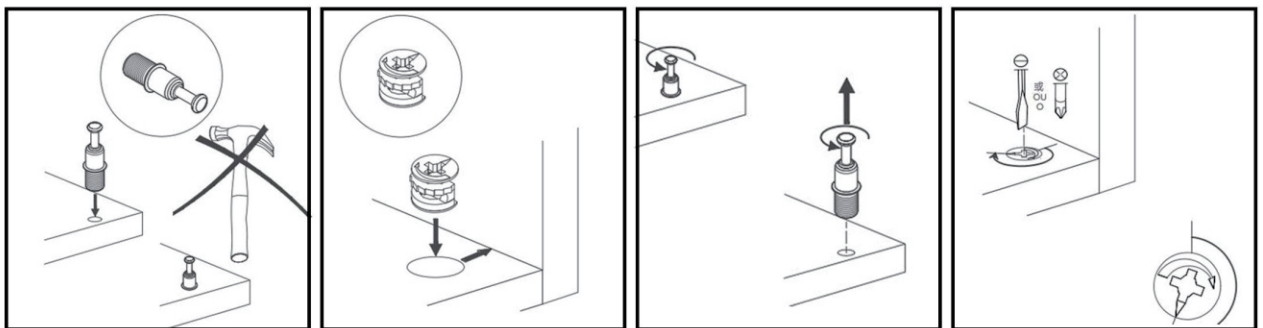
Read through each step carefully and follow the proper order

Separate and count all your parts and hardware

Give yourself enough room for the assembly process

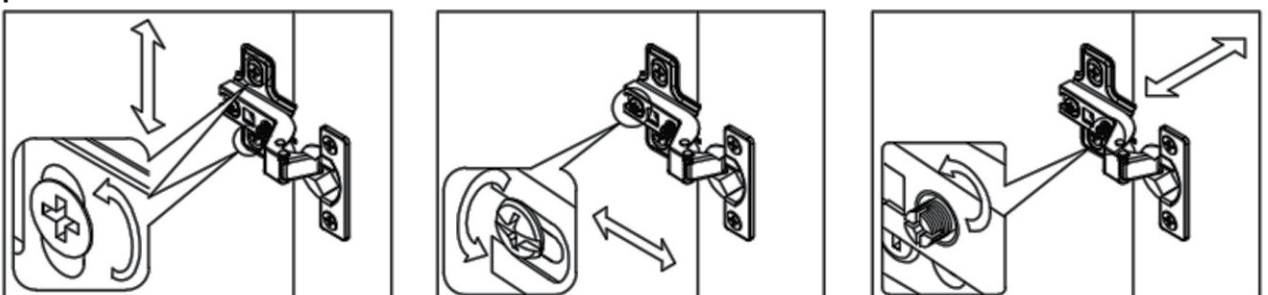
Have the following tools: Phillips Head Screwdriver and Hammer

Caution: If using a power drill or power screwdriver for screwing please be aware to slow down and stop when screw is tight. Failure to do so may result in stripping the screw.

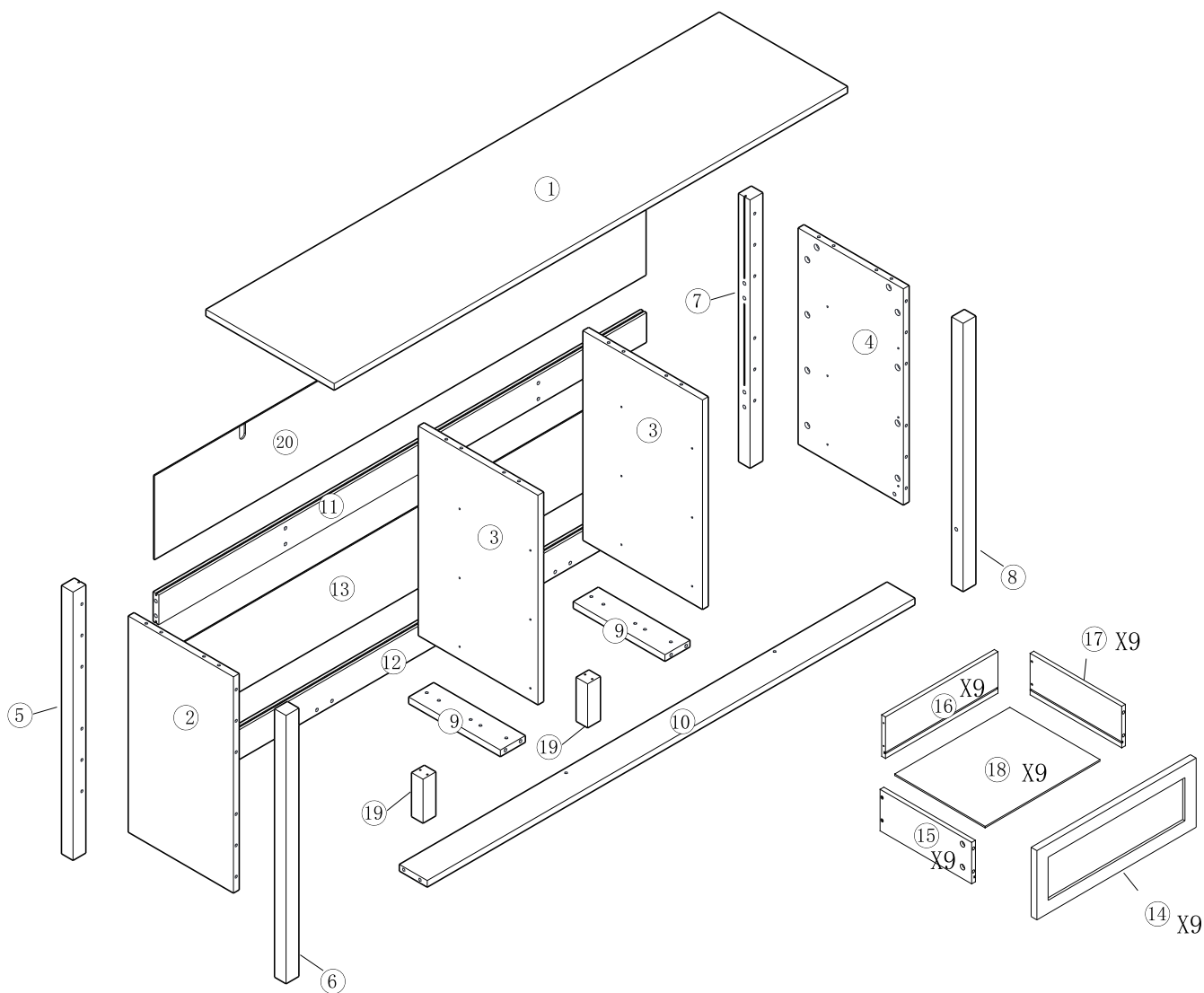


If the door panel is not sitting at a right position or angle, follow the steps below to improve.

- (1) Loosen the hinge, adjust the door panel position (up and down) then fasten the screws to secure the hinge (Step 1), or,
- (2) Loosen the middle screw of the hinge and adjust the door panel in and out, to desired position, then fasten the screws to secure the hinge (Step 2), or
- (3) Adjust the nut at the centre of the hinge to fine tune the tilting angle of the door panel (left or right) to make the door panel to be vertical.

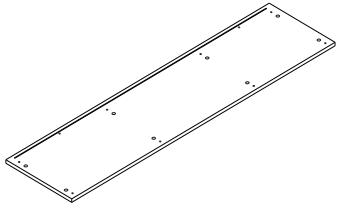


Components

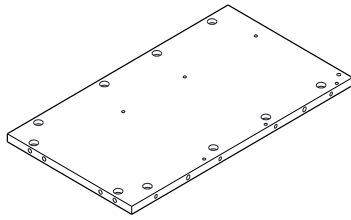


Components

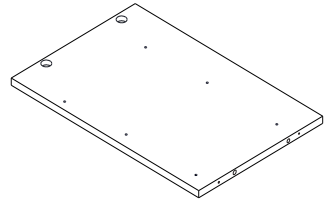
① 1PC



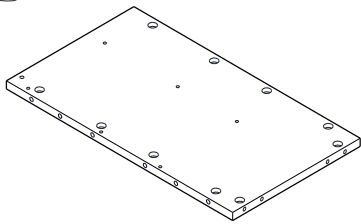
② 1PC



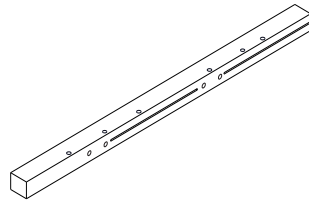
③ 2PC



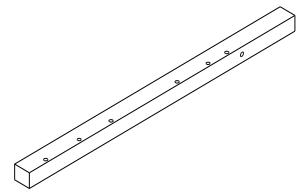
④ 1PC



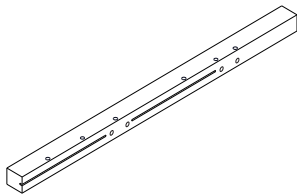
⑤ 1PC



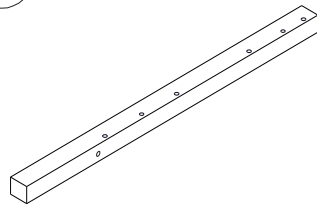
⑥ 1PC



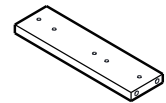
⑦ 1PC



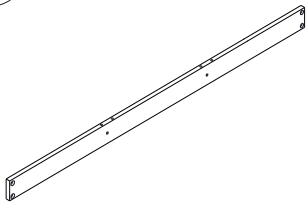
⑧ 1PC



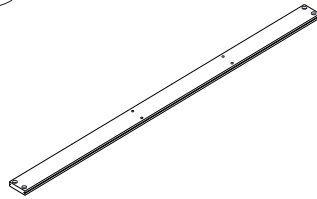
⑨ 2PC



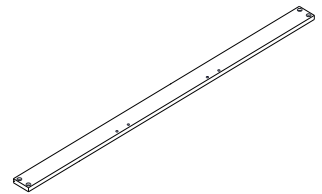
⑩ 1PC



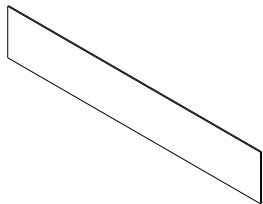
⑪ 1PC



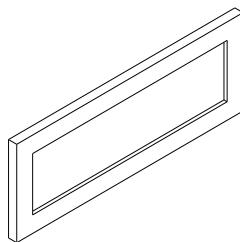
⑫ 1PC



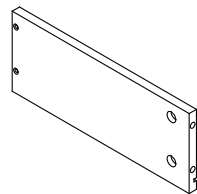
⑬ 1PC



⑭ 9PC

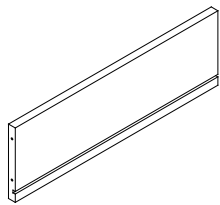


⑮ 9PC

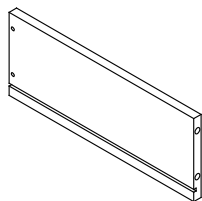


Components

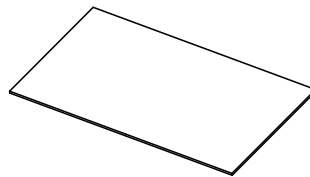
①⑥ 9PC



①⑦ 9PC



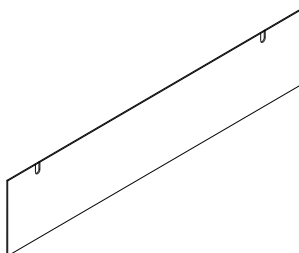
①⑧ 9PC



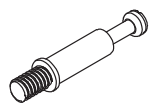
①⑨ 2PC



②① 1PC



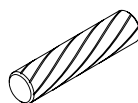
Components



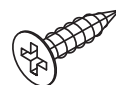
A x 72 +2



B x 72+2

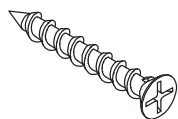


C x 24+2



M3. 5x12mm

D x72 +2

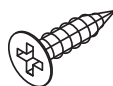


M4x35mm

E x 54+2

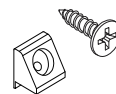


F x 2

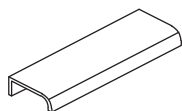


M3. 5x14mm

G x 18 +1



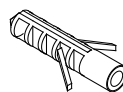
H x 8



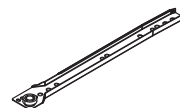
I x 9



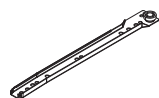
J x 2



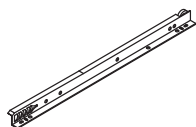
K x 2



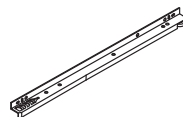
CL x 9



CR x 9



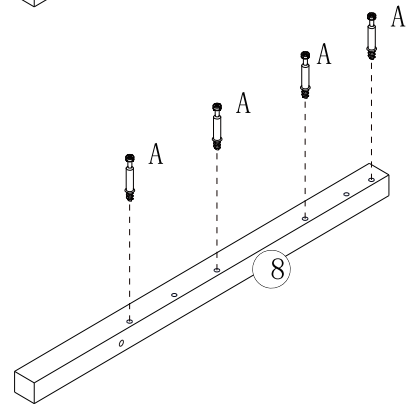
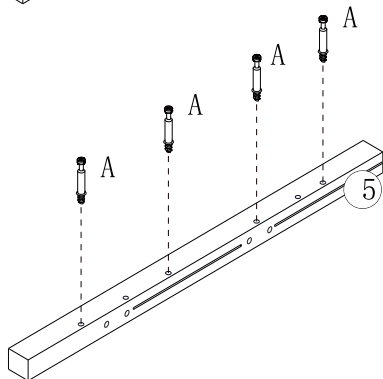
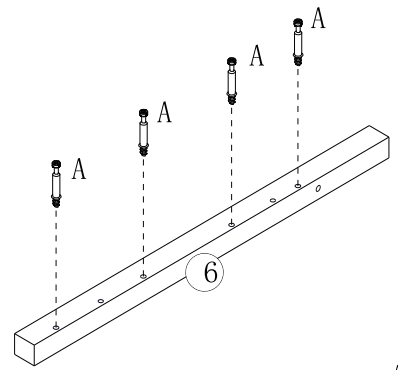
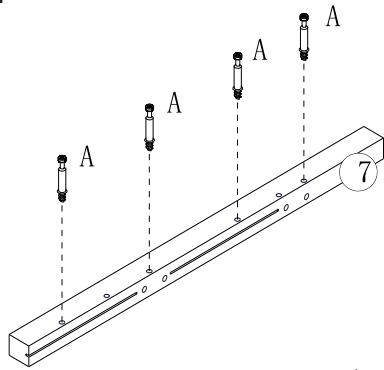
DL x 9



DR x 9

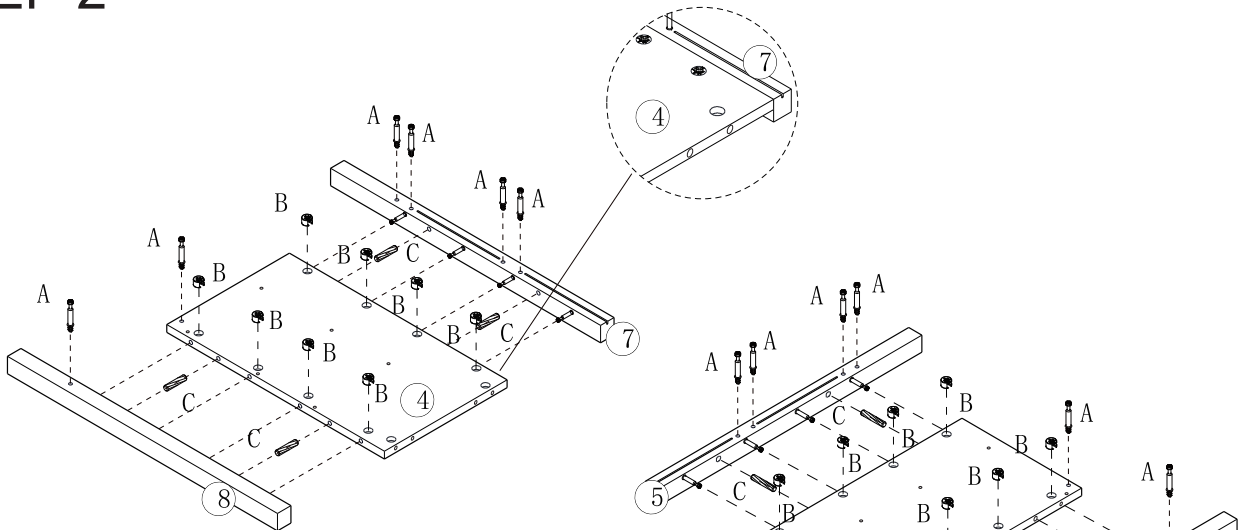
Assembly Instructions

STEP 1



Ax16

STEP 2



Ax12



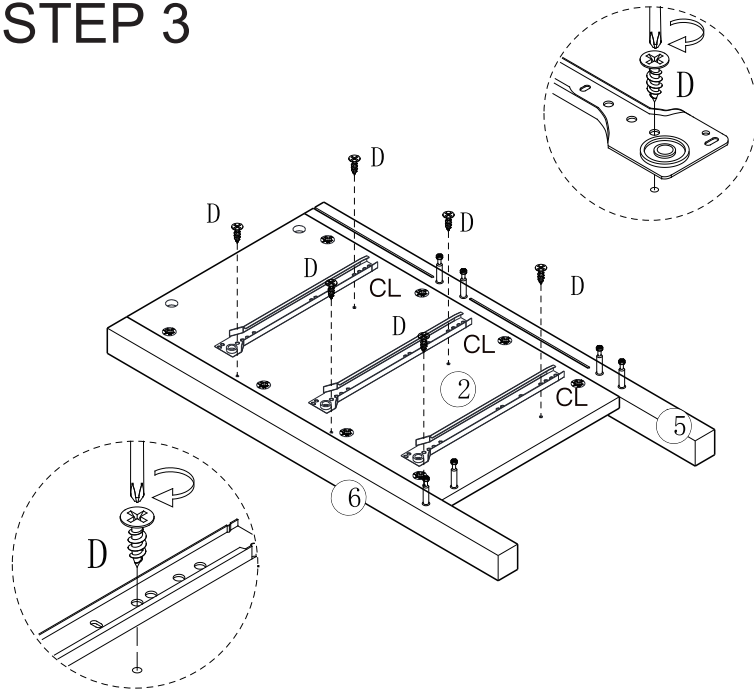
Bx16



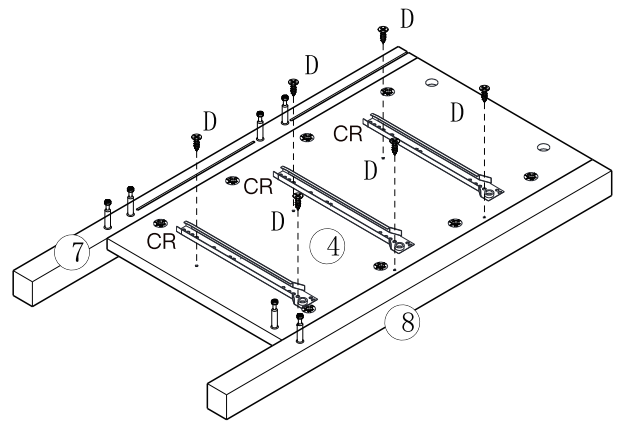
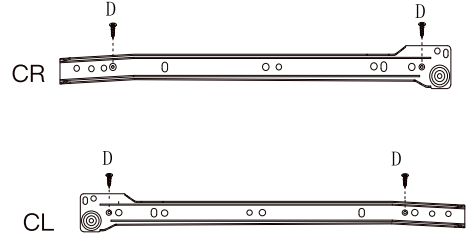
Cx8

Assembly Instructions

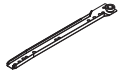
STEP 3



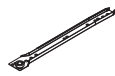
REMARK:



Dx12

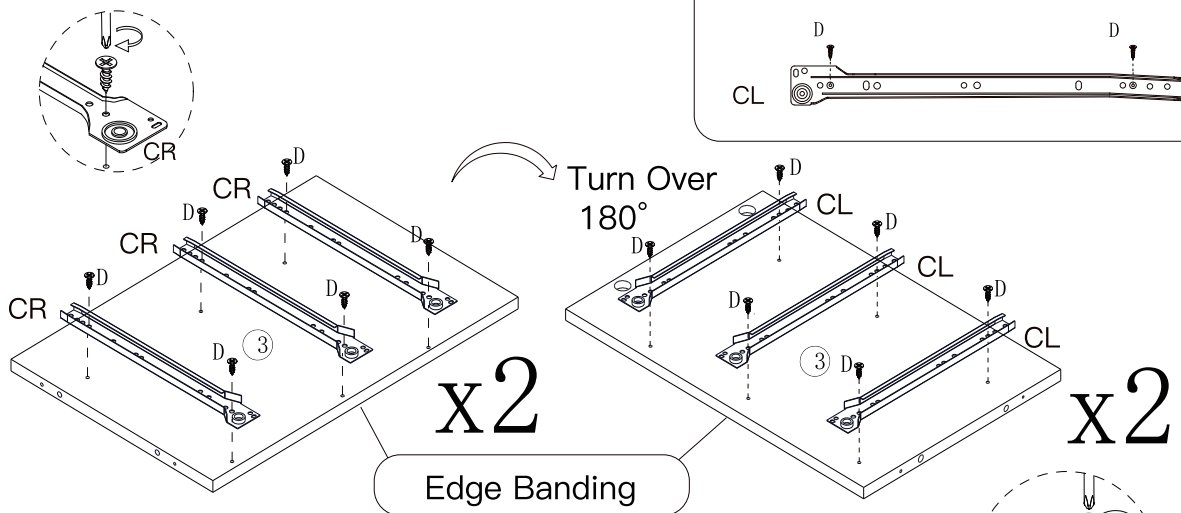


CRx3

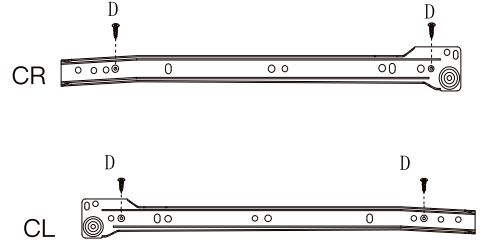


CLx3

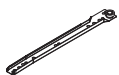
STEP 4



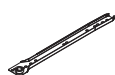
REMARK:



Dx24



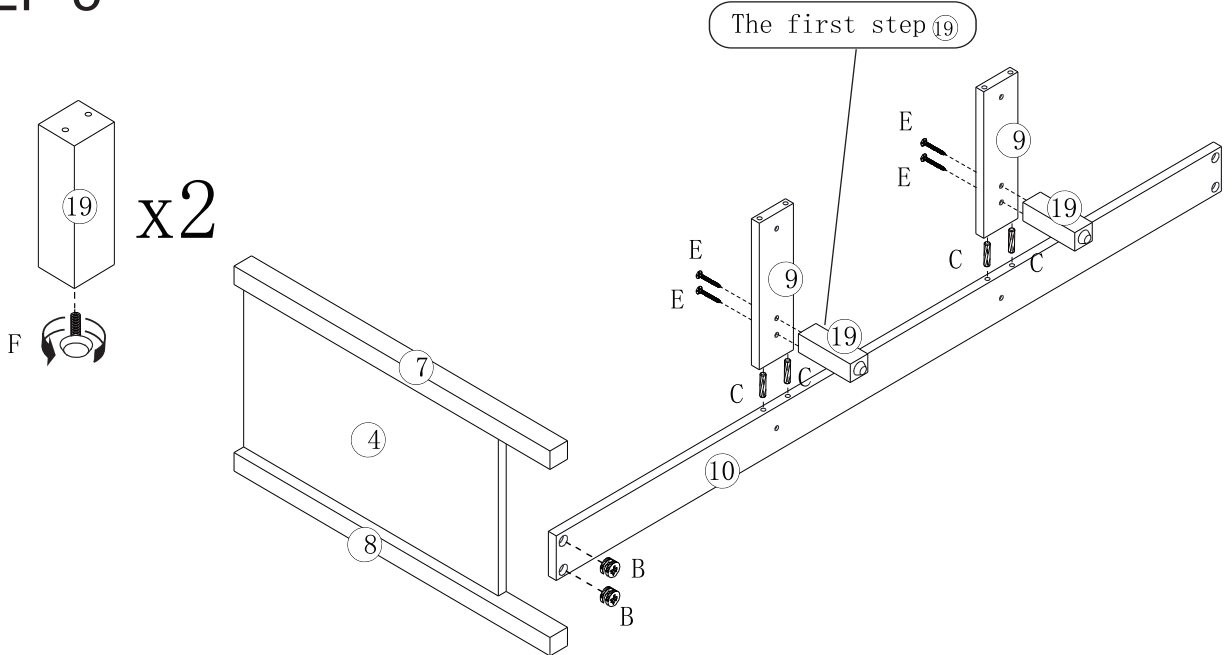
CRx6


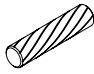
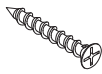



CLx6

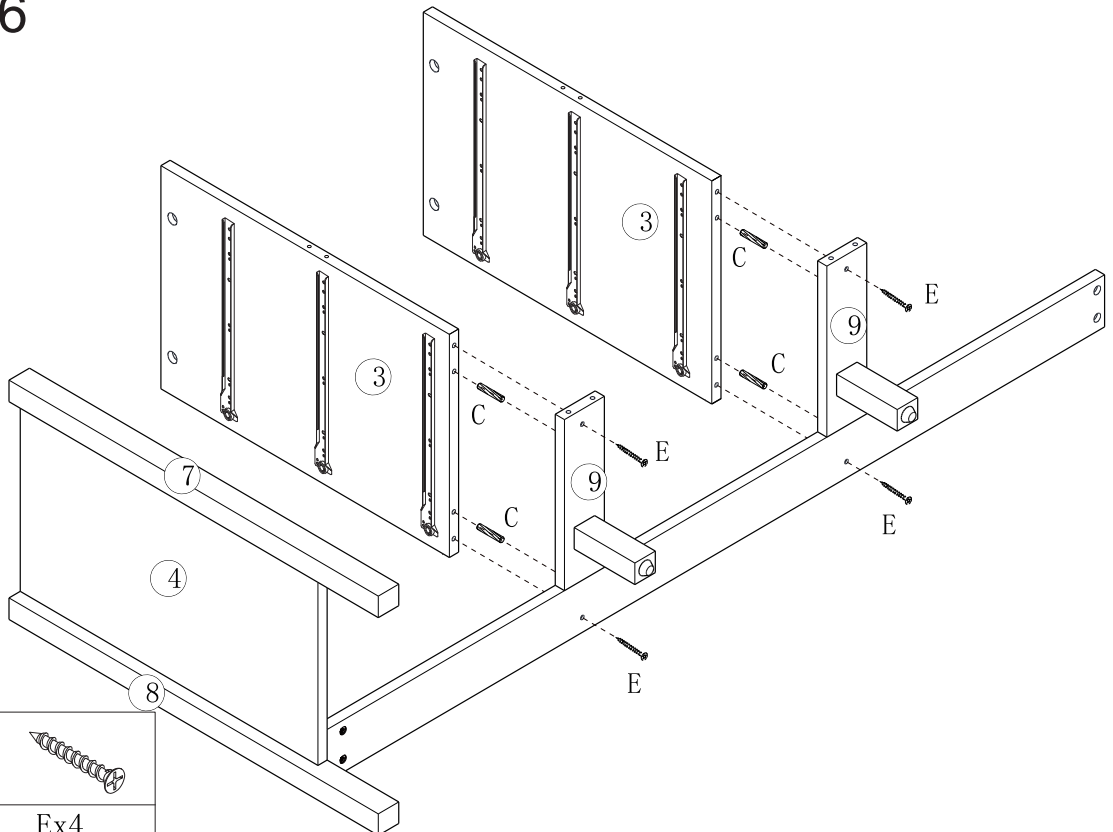
Assembly Instructions

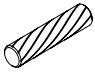

STEP 5



			
Bx2	Cx4	Ex4	Fx2

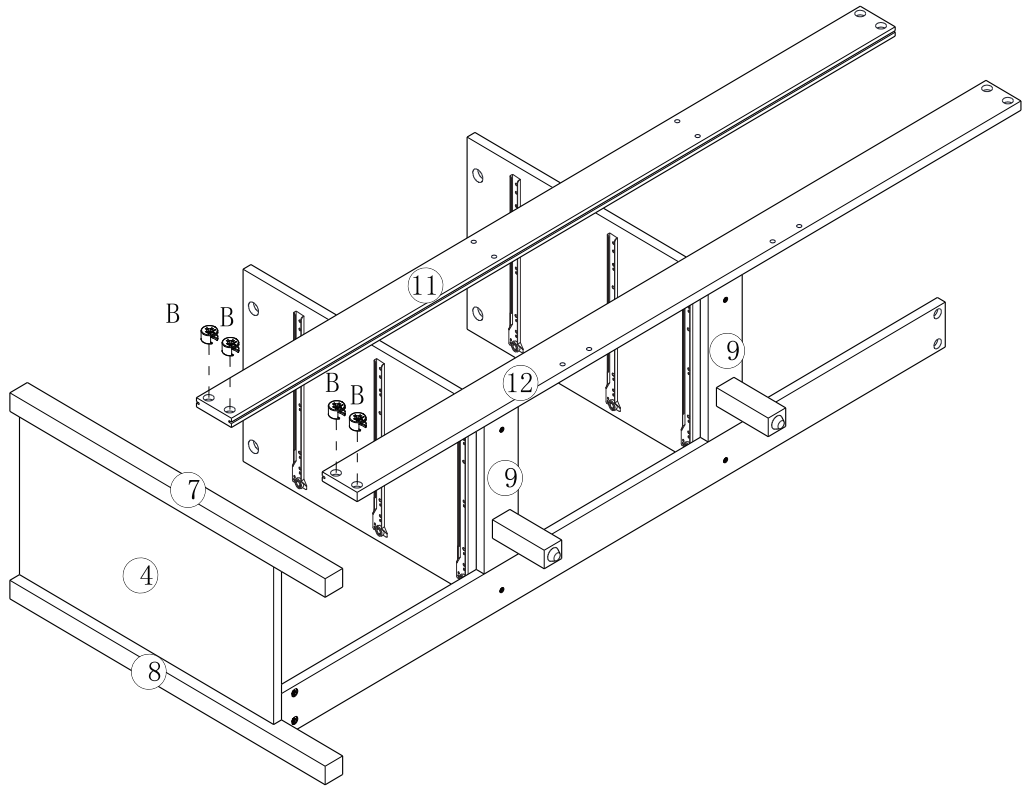
STEP 6



	
Cx4	Ex4

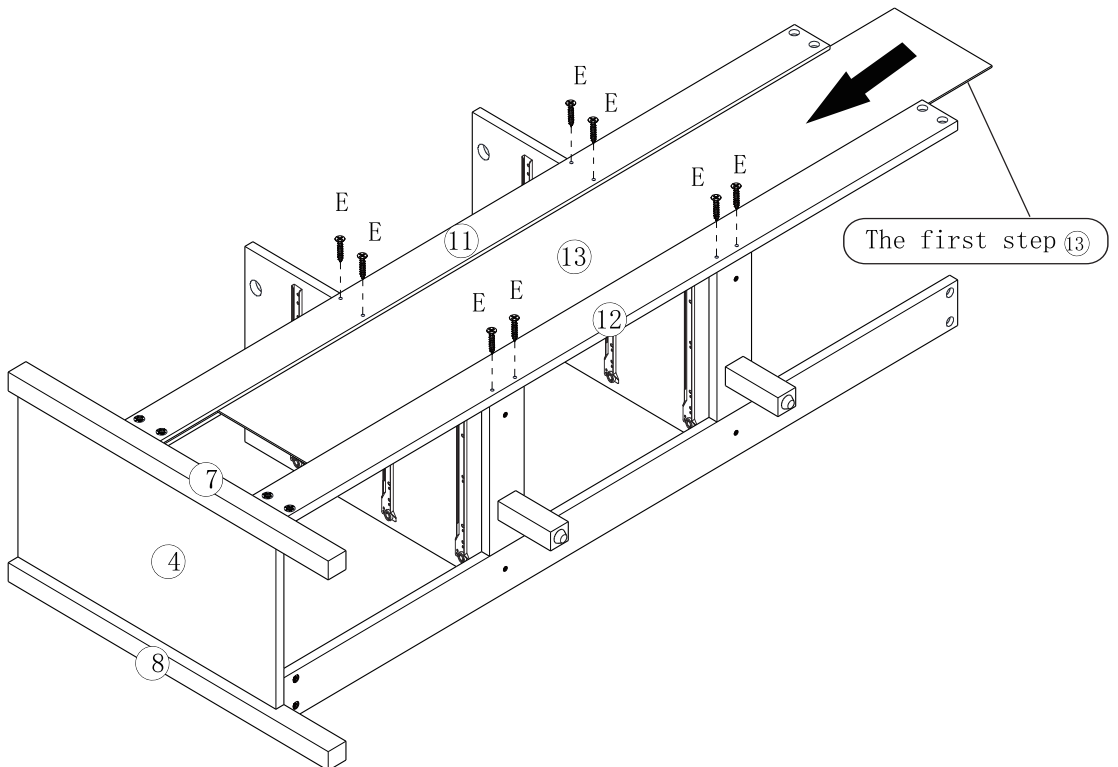
Assembly Instructions

STEP 7



Bx4

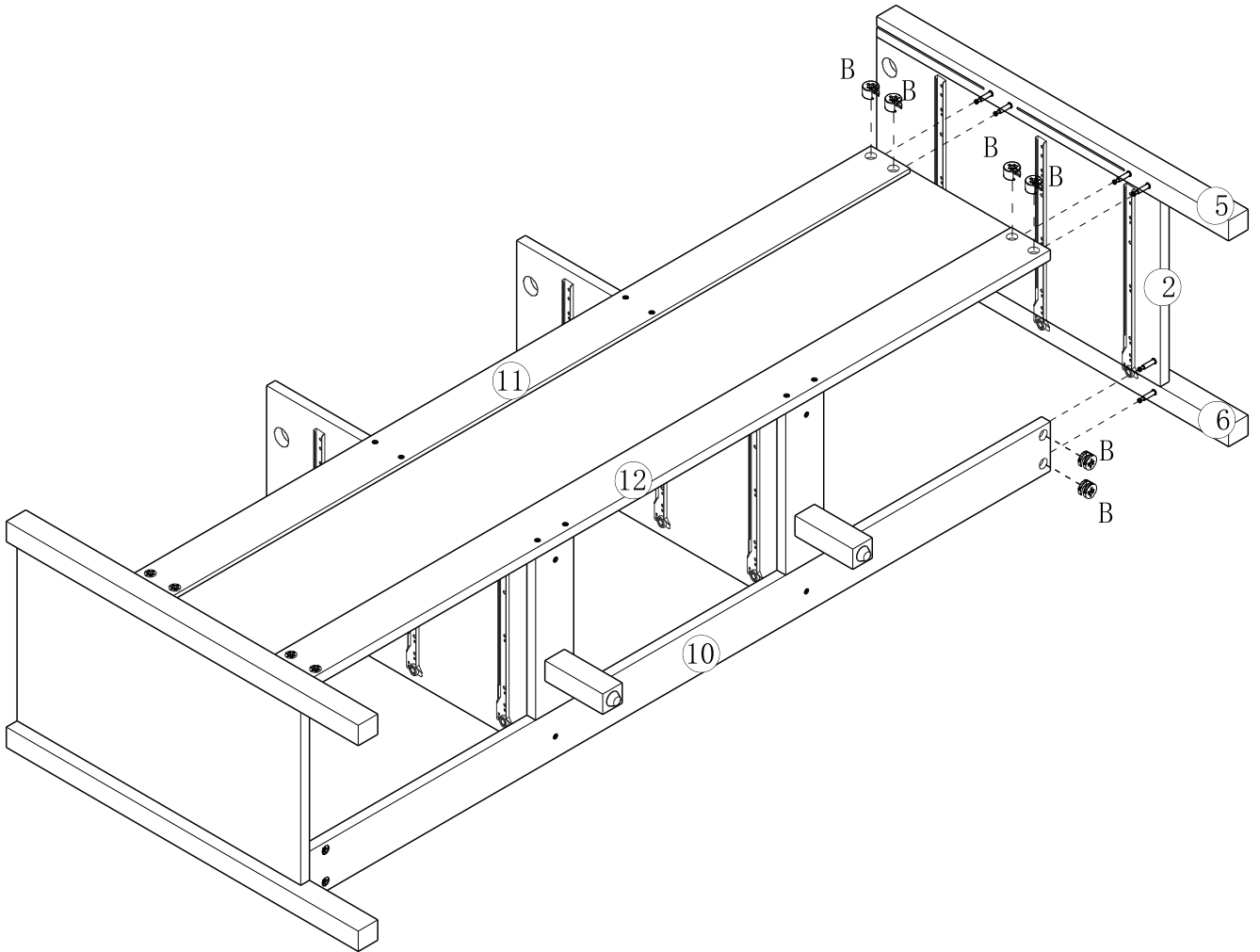
STEP 8



Ex8

Assembly Instructions

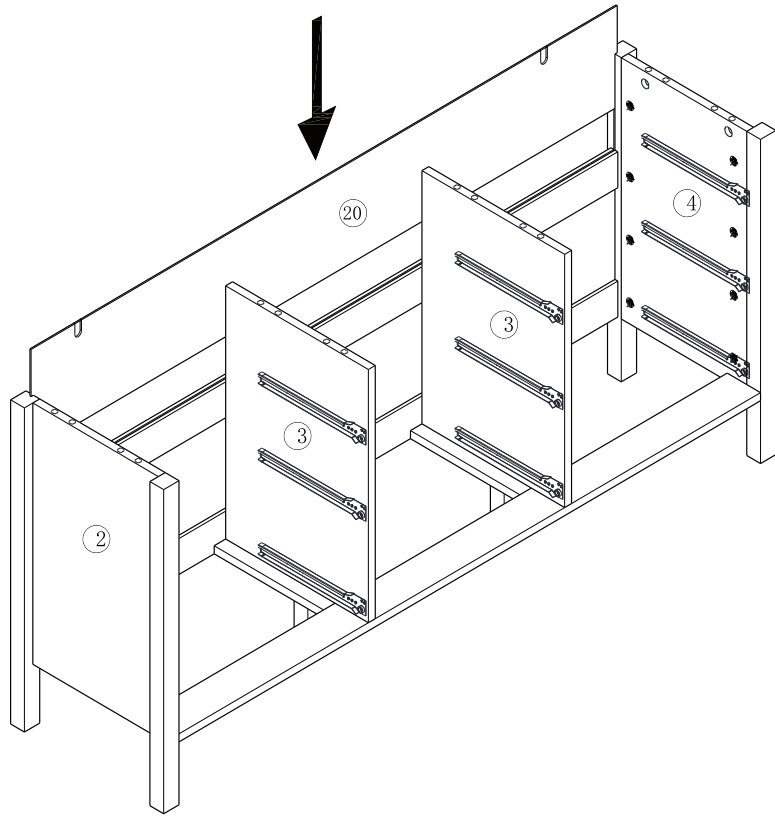
STEP 9



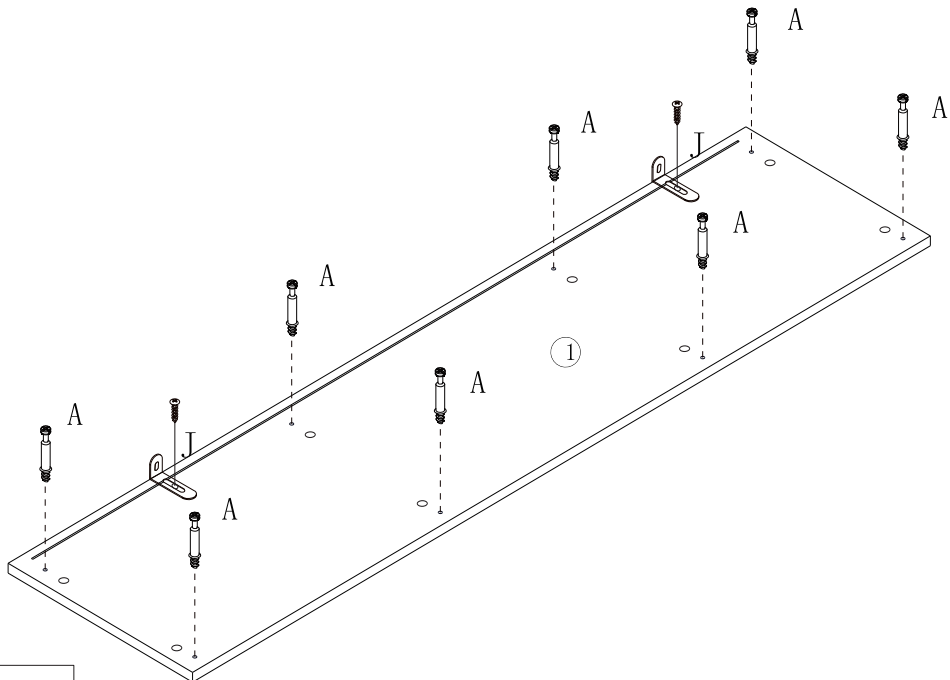
Bx6

Assembly Instructions

STEP 10



STEP 11



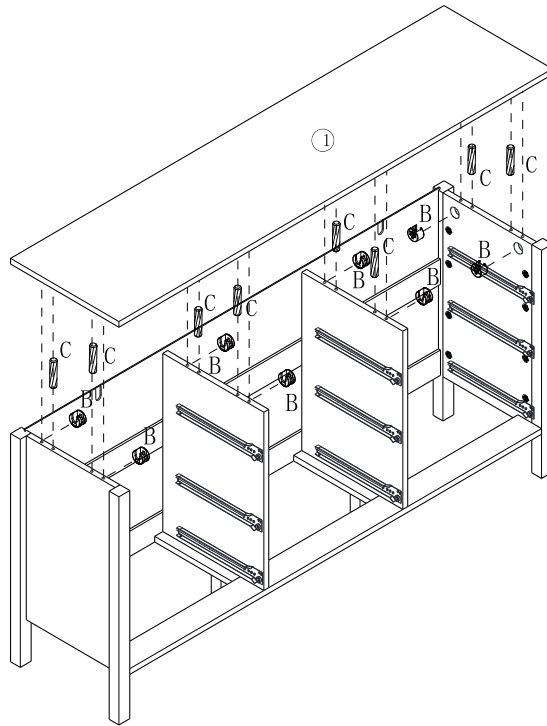
A x 8





J x 2

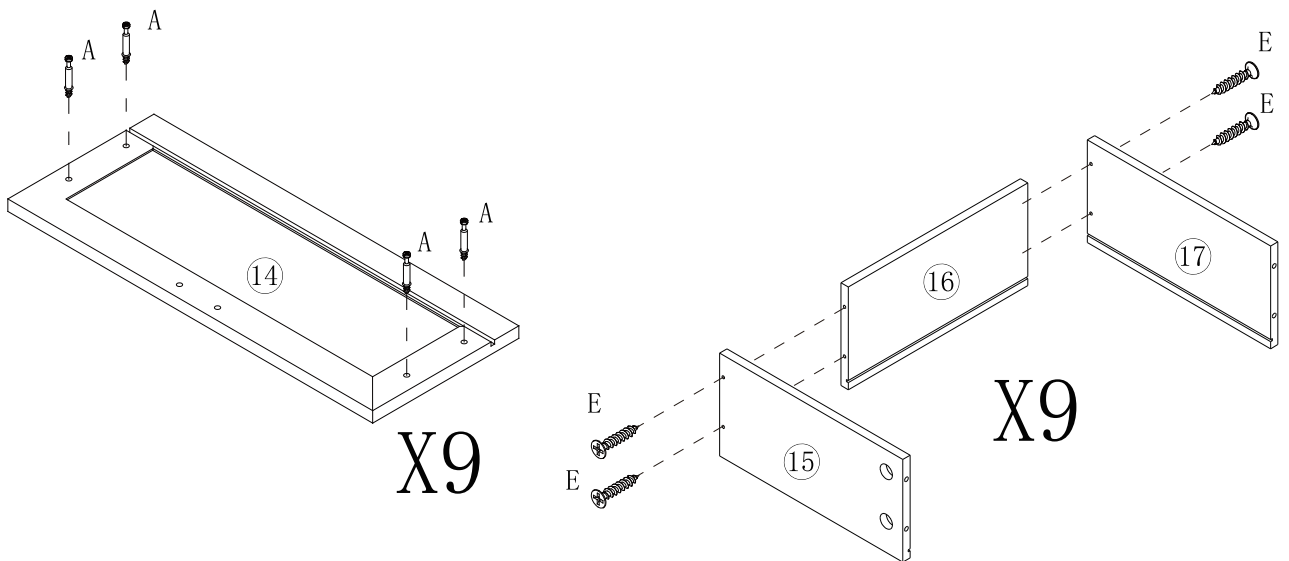
Assembly Instructions



STEP 12



	
Bx 8	Cx 8

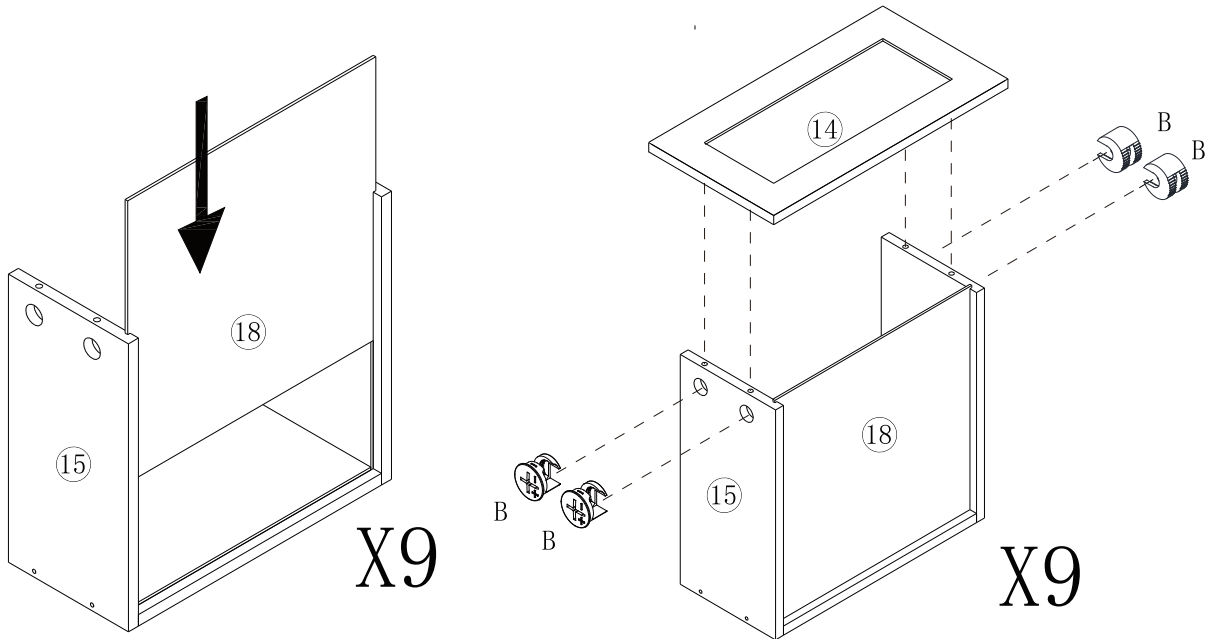
STEP 13



	
Ax36	Ex36

Assembly Instructions

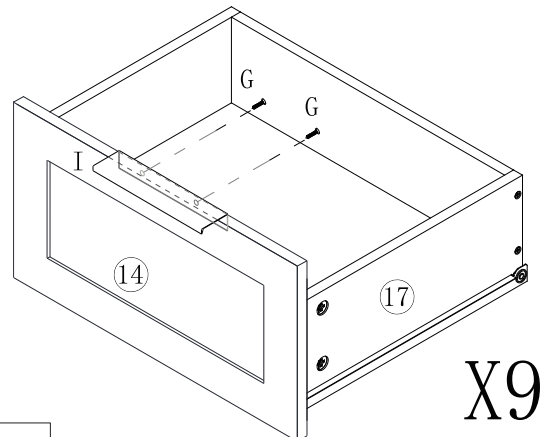
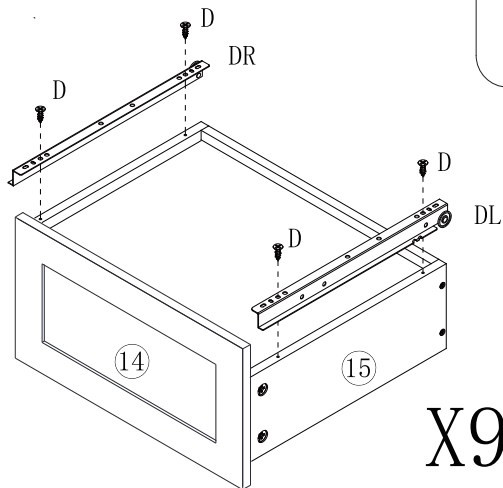
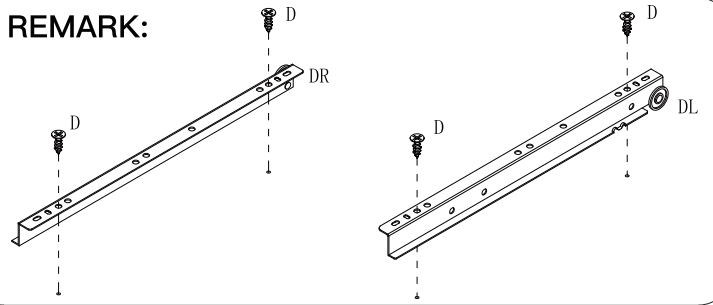
STEP 14



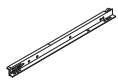
Bx 36

STEP 15

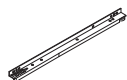
REMARK:



Dx36



DL x9



DR x9



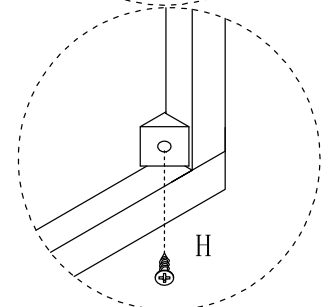
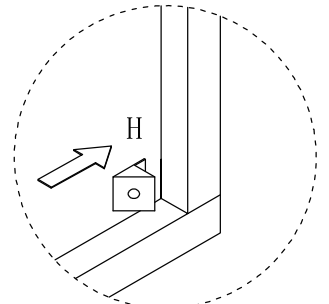
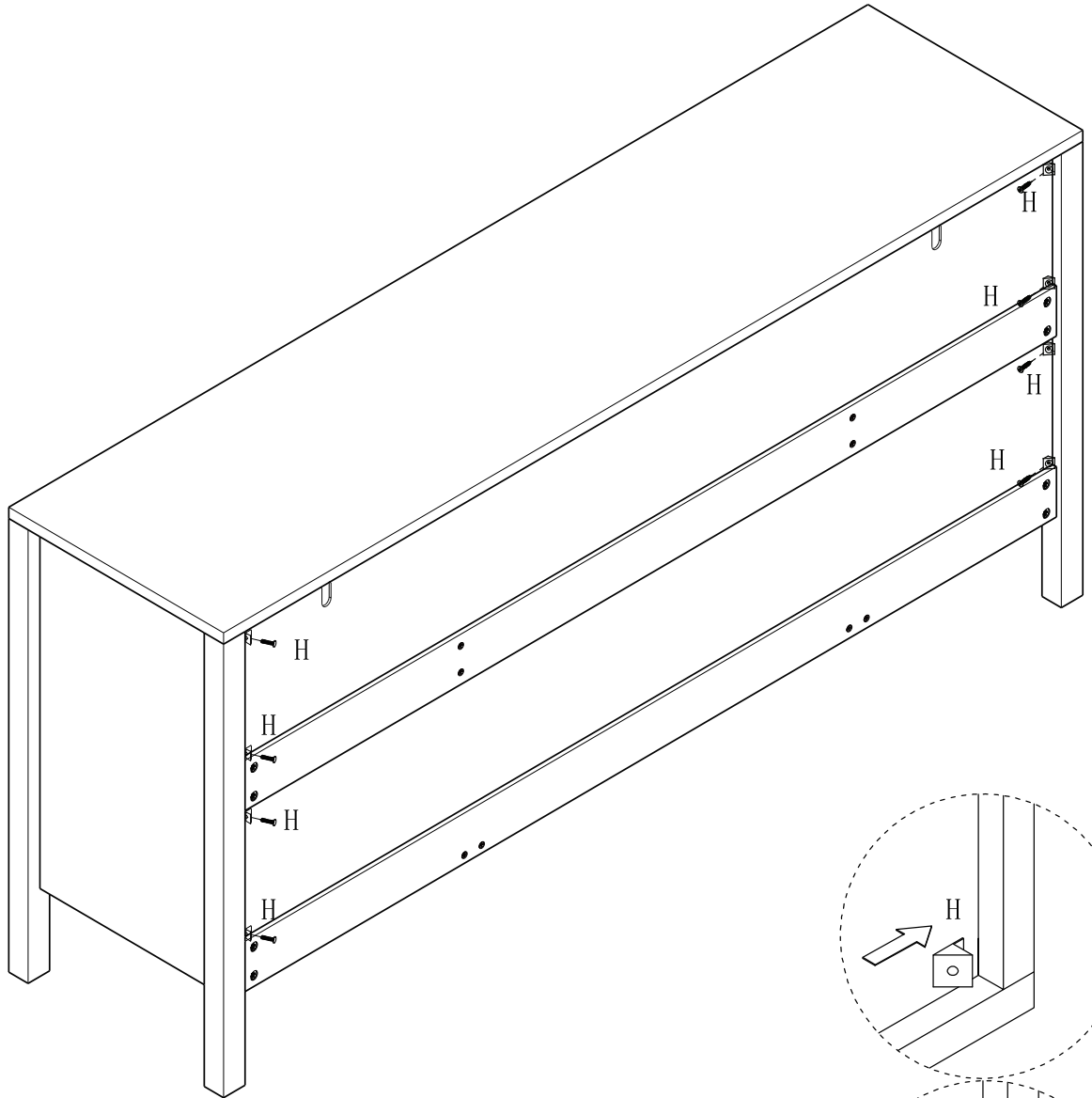
I x9



Gx18

Assembly Instructions

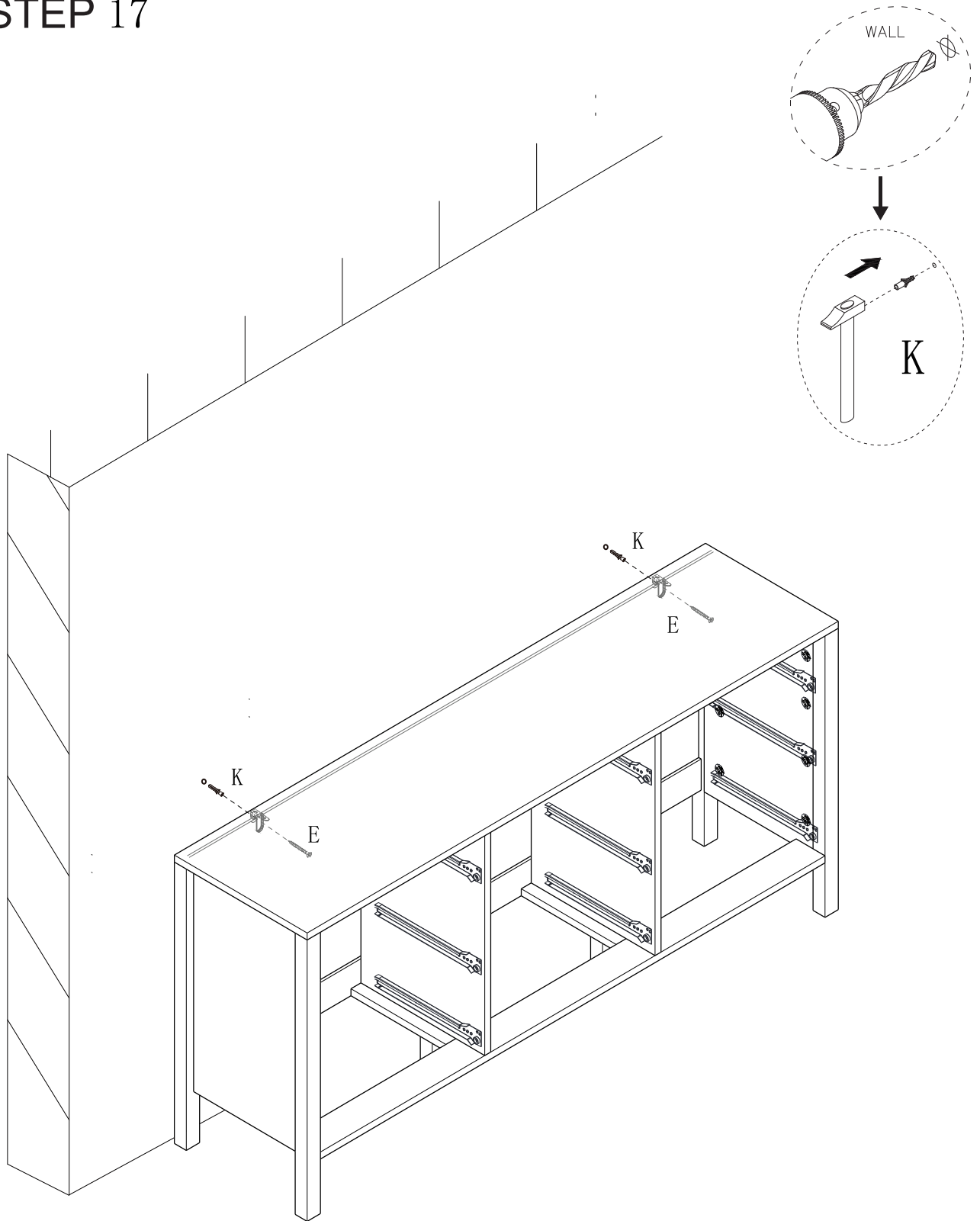
STEP 16


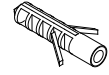


Hx8

Assembly Instructions

STEP 17



	
E x 2	K x 2

Assembly Instructions

STEP 18

