

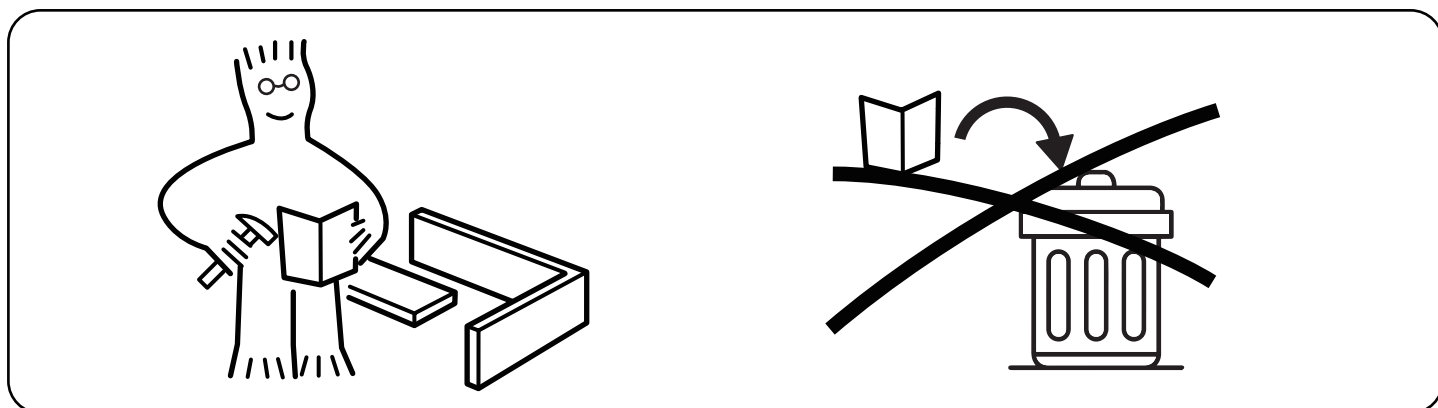
Pure & Easy



# **ASSEMBLY INSTRUCTIONS**

# NOTICE

IMPORTANT, RETAIN FOR FUTURE REFERENCE: READ CAREFULLY  
WICHTIG, FÜR SPÄTERE NACHSCHLAGE AUFBEWAHREN: SORGFÄLTIG LESEN  
IMPORTANTE, GUARDAR PARA REFERENCIA FUTURA: LEER ATENTAMENTE  
IMPORTANTE, CONSERVARE PER RIFERIMENTI FUTURI: LEGGERE ATTENTAMENTE  
IMPORTANT, À CONSERVER POUR RÉFÉRENCE FUTURE : LIRE ATTENTIVEMENT



Assemble on a flat and solid surface. To avoid the unstable surface affecting the overall frame stability during installation.

Montieren Sie auf einer ebenen und festen Oberfläche. Um zu verhindern, dass eine unebene Oberfläche während der Montage die Gesamtrahmen-Stabilität beeinträchtigt.

Ensamblar en una superficie plana y sólida. Afin d'éviter que la surface inégale n'affecte la stabilité générale du cadre lors de l'installation.

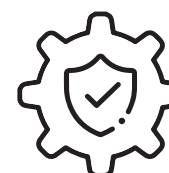
Assemblare su una superficie piana e solida. Per evitare che una superficie irregolare influisca sulla stabilità complessiva della struttura durante l'installazione.

Assemble sur une surface plate et solide. Para evitar que la instalación en una superficie irregular afecte la estabilidad general del marco.

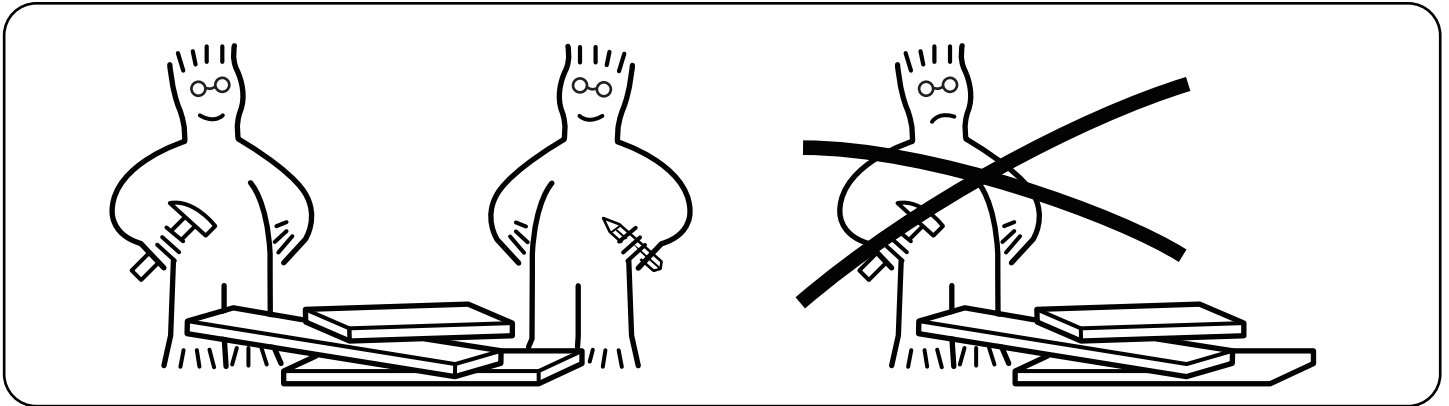
Professional installation is highly recommended.  
Eine professionelle Installation wird dringend empfohlen.  
Une installation professionnelle est fortement recommandée.  
Si raccomanda vivamente l'installazione professionale.  
Se recomienda altamente la instalación profesional.



Periodically Check That All Components Are Tightly Secured.  
Überprüfen Sie Regelmäßig, Dass Alle Komponenten Fest Gesichert Sind.  
Vérifiez Périodiquement Que Tous Les Composants Sont Bien Fixés.  
Controllare Periodicamente Che Tutti I Componenti Siano Ben Fissati.  
Verifique Periódicamente Que Todos Los Componentes Estén Bien Asegurados.



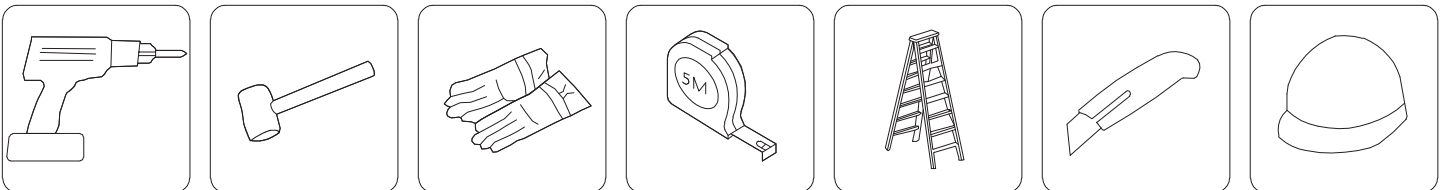
It is recommended that multiple people assemble this product.  
Es wird empfohlen, dass mehrere Personen dieses Produkt zusammenbauen.  
Il est recommandé que plusieurs personnes assemblent ce produit.  
Si raccomanda che più persone assemblino questo prodotto.  
Se recomienda que varias personas ensamblen este producto.




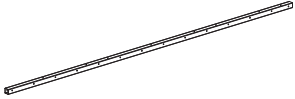

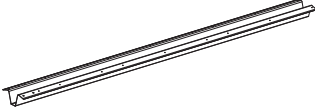
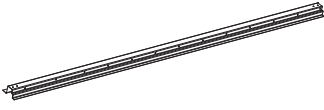
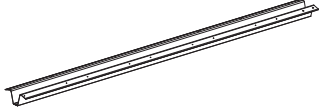

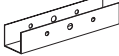
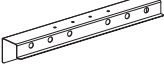


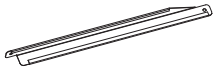
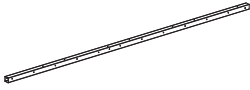


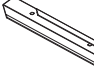
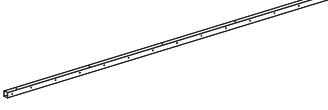
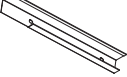
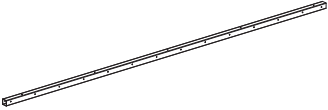
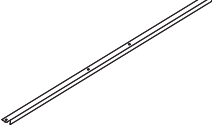
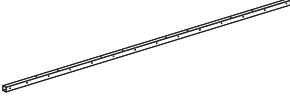
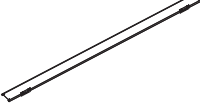
Please contact us if parts of your furniture are missing.  
Bitte kontaktieren Sie uns, wenn Teile Ihrer Möbel fehlen.  
Por favor contáctenos si faltan piezas de sus muebles.  
Si prega di contattarci se mancano parti dei vostri mobili.  
Veuillez nous contacter si des pièces de vos meubles manquent.

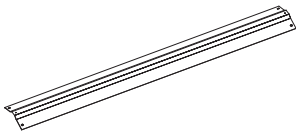
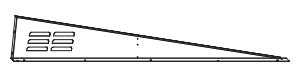
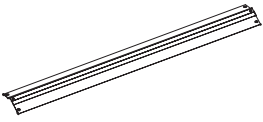
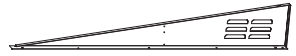
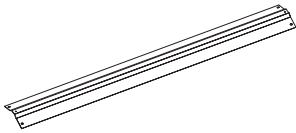

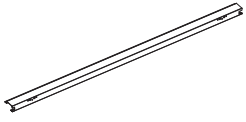
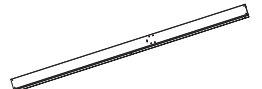
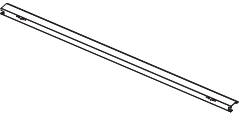

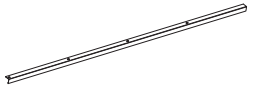


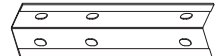
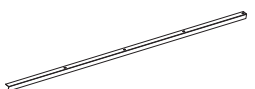

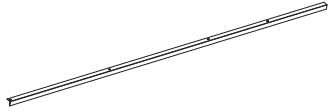



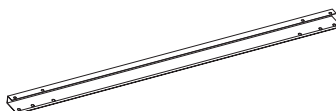




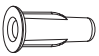



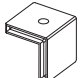

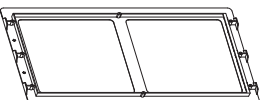

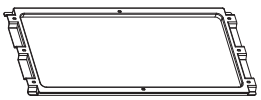
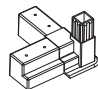


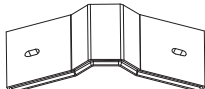
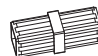
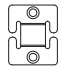

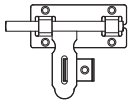
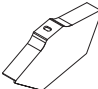
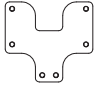

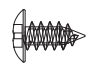
Please have the following auxiliary tools ready:

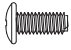
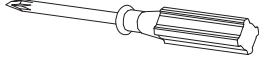

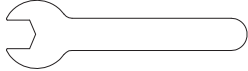
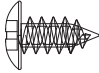
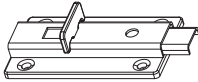




# PARTS

Item no.	Reference Image	Qty.	Item no.	Reference Image	Qty.
1L		X1	8R		X1
1R		X1	9F		X1
2L		X3	9B		X1
2R		X3	10		X4
4B		X4	10F		X1
5		X4	10B		X1
6L		X1	11		X1
6R		X1	11L		X2
7F		X2	11R		X2
7B		X2	15		X4
8L		X1	16		X2

Item no.	Reference Image	Qty.	Item no.	Reference Image	Qty.
18F		X1	21L		X2
18		X1	21R		X2
18B		X1	22		X1
18L		X1	23		X1
18R		X1	25		X4
19L		X1	26		X4
20L		X1	27		X4
19R		X1	36		X1
20R		X1	W3		X7
20		X4	W5		X15
21		X4	W7		X4

Item no.	Reference Image	Qty.	Item no.	Reference Image	Qty.
W12		X12	F8		X72
W15		X4	F9		X2
M1		X2	F10		X2
C3		X1	F12		X2
C4		X1	F13		X2
C		X4	F14		X2
F		X4	F18		X2
I		X4	S1		X1
F4		X4	S2		X1
F5		X2	S3		X1
F7		X407	S4		X454

Item no.	Reference Image	Qty.	Item no.	Reference Image	Qty.
S6		X111	S12		X1
S7		X103	S15		X1
S8		X10	S18		X2
S9		X4	S19		X2



# ASSEMBLY

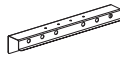
1



①L 1pc



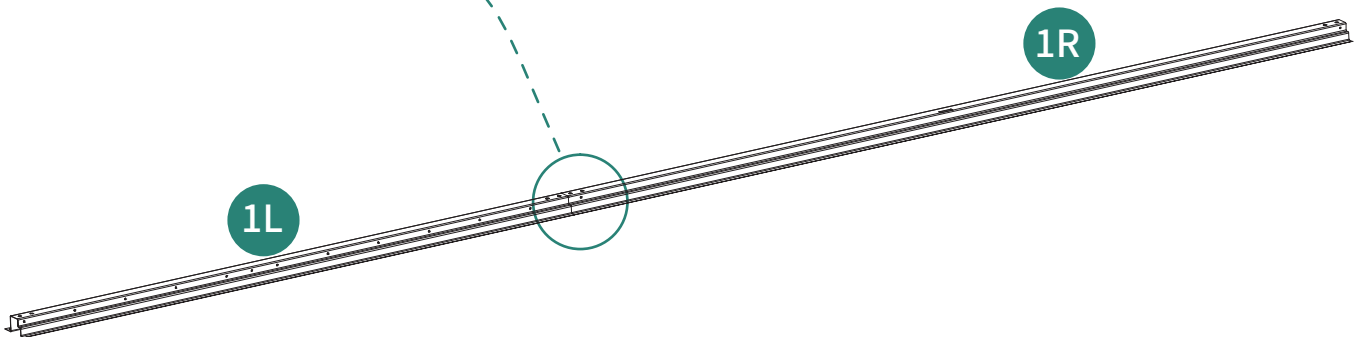
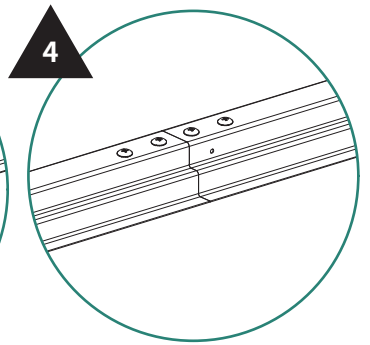
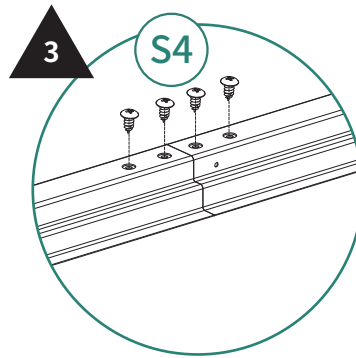
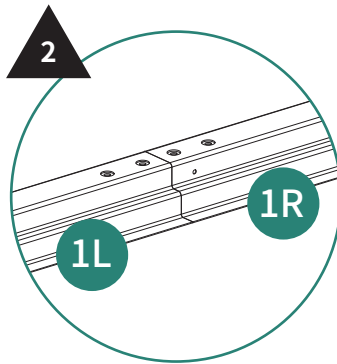
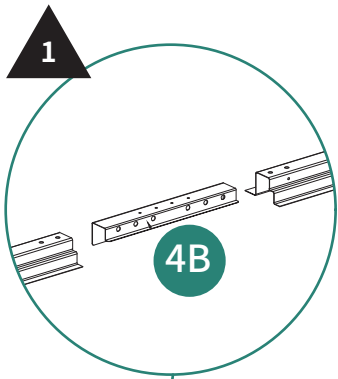
①R 1pc



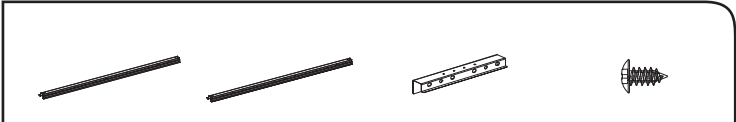
④B 1pc



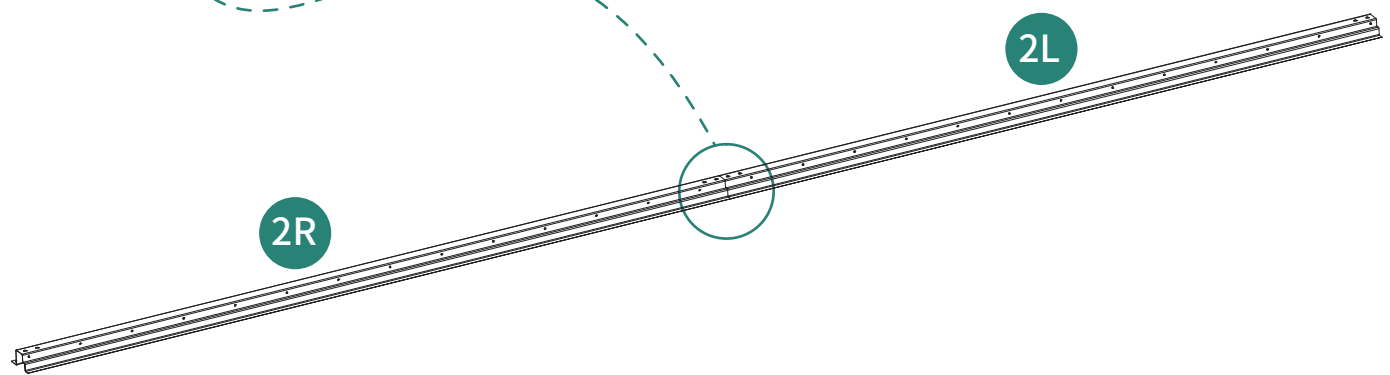
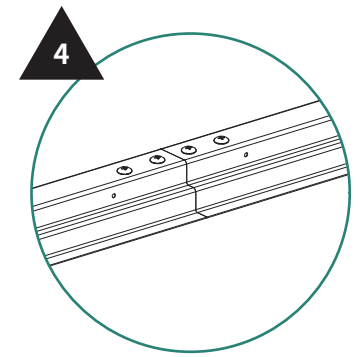
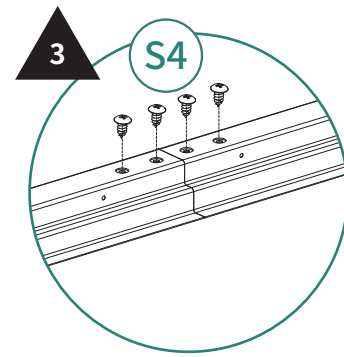
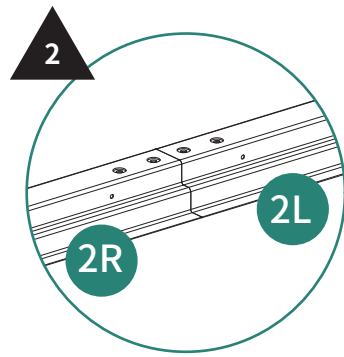
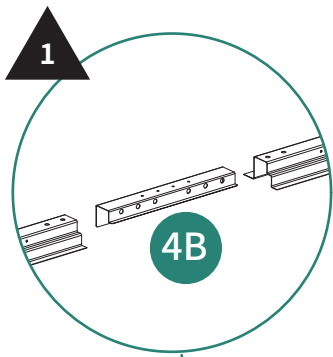
⑤S4 4pcs



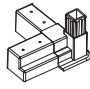
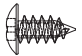
**2**  
**X3**

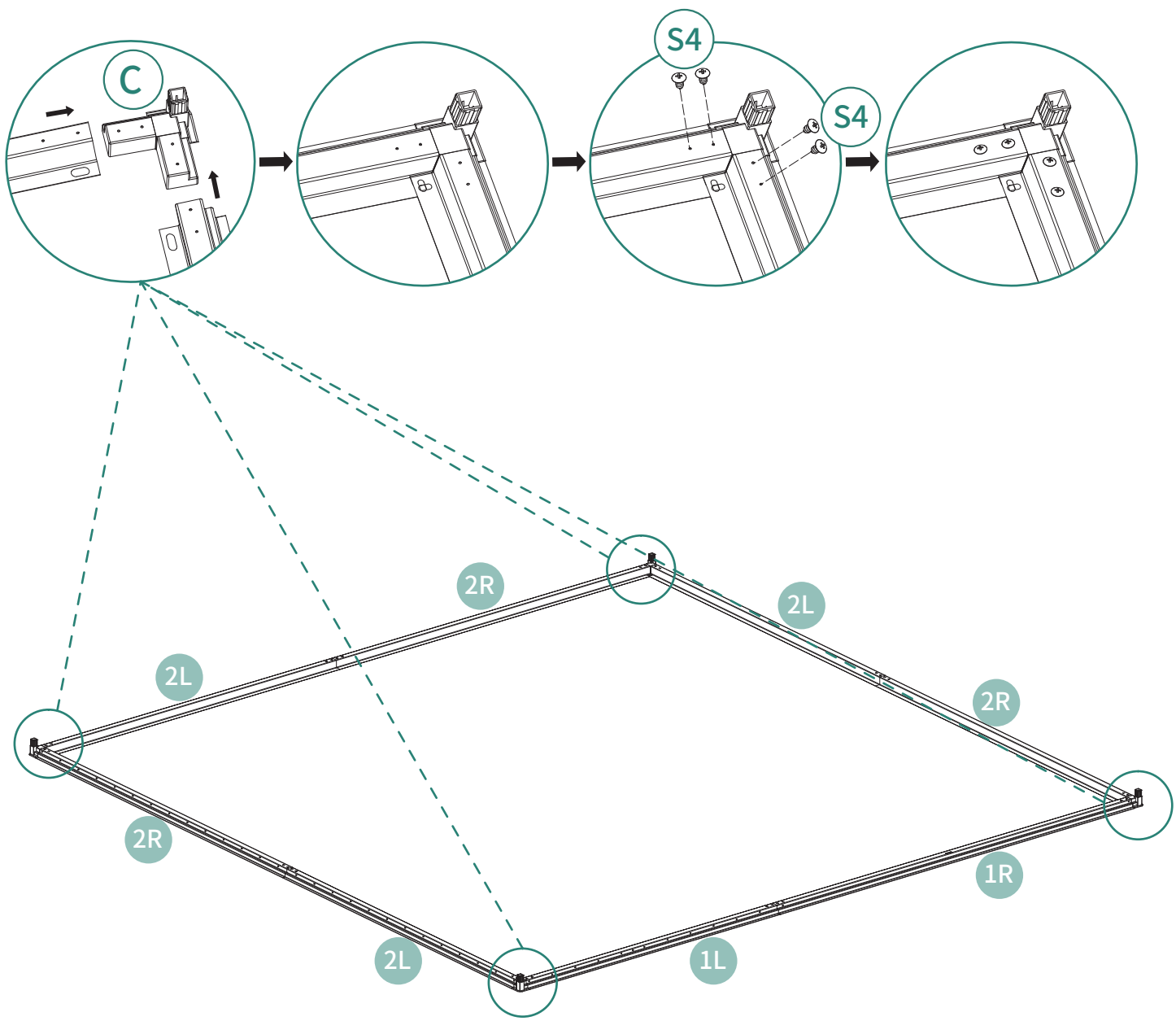


②L 3pcs   ②R 3pcs   ④B 3pcs   ⑤S4 12pcs



3

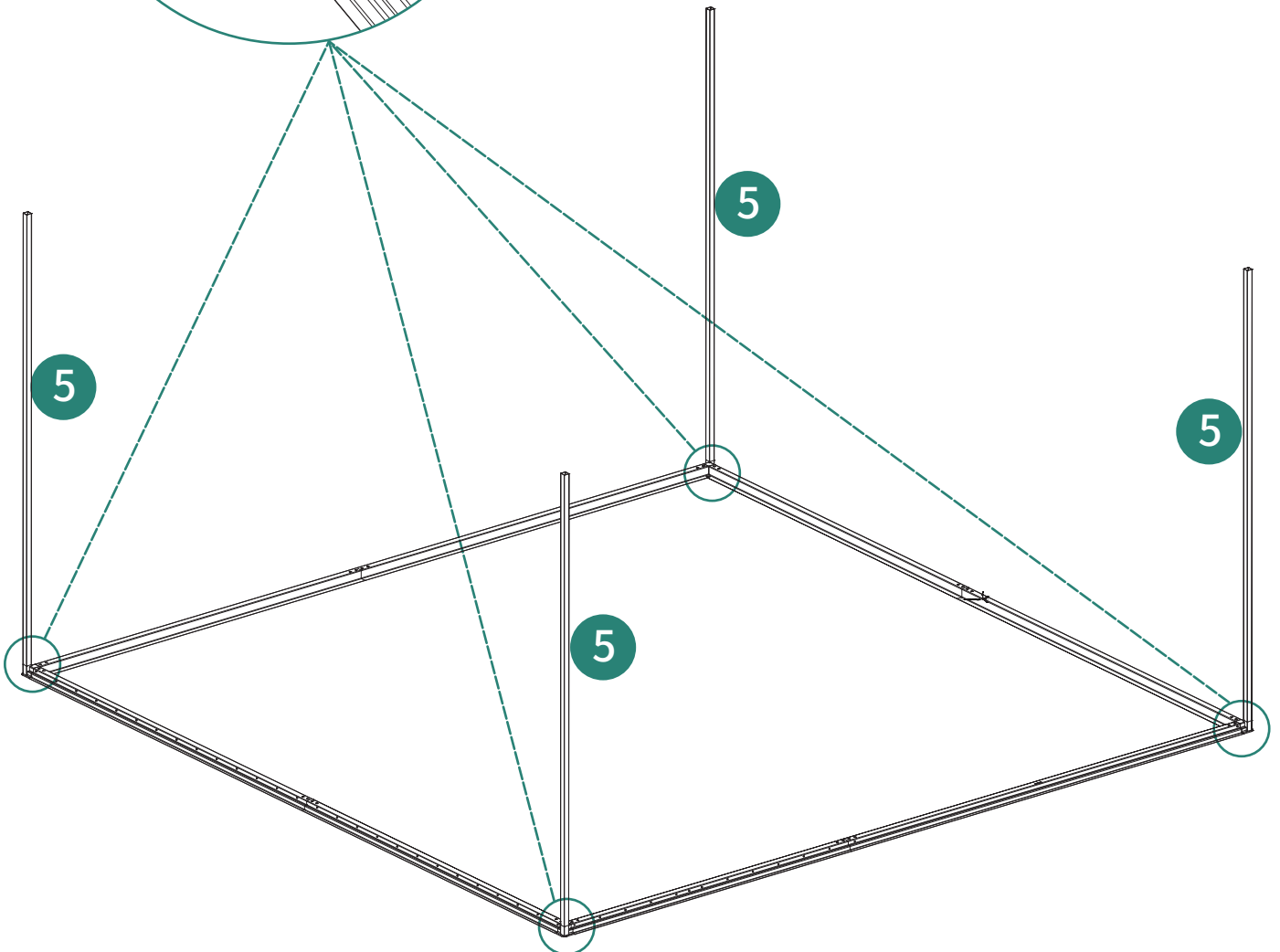
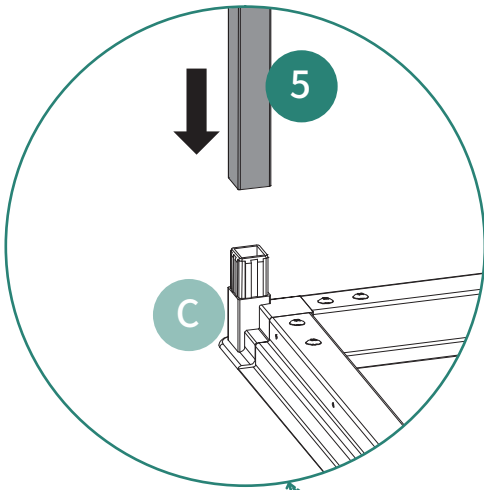
   
C 4pcs S4 16pcs



4



⑤ 4pcs



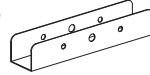
5



⑥L 1pc



⑥R 1pc



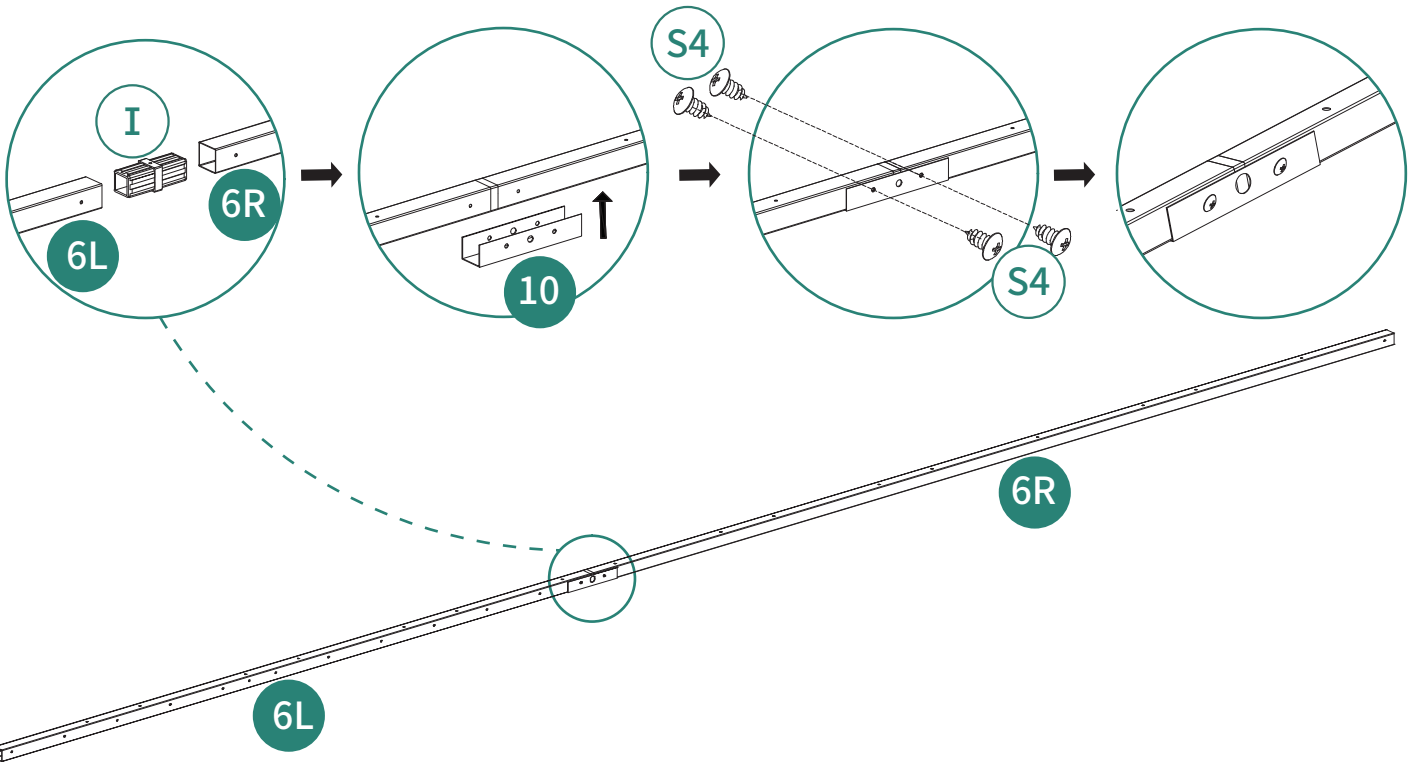
⑩ 1pc



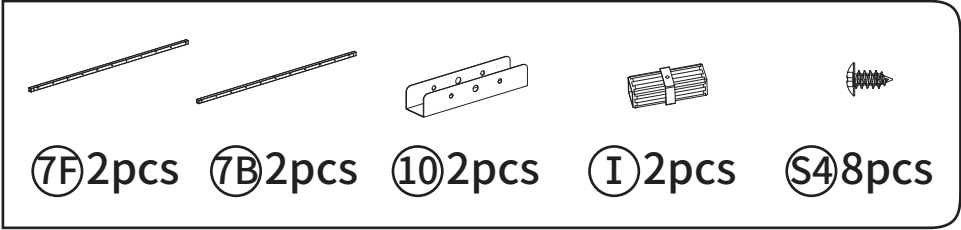
① 1pc



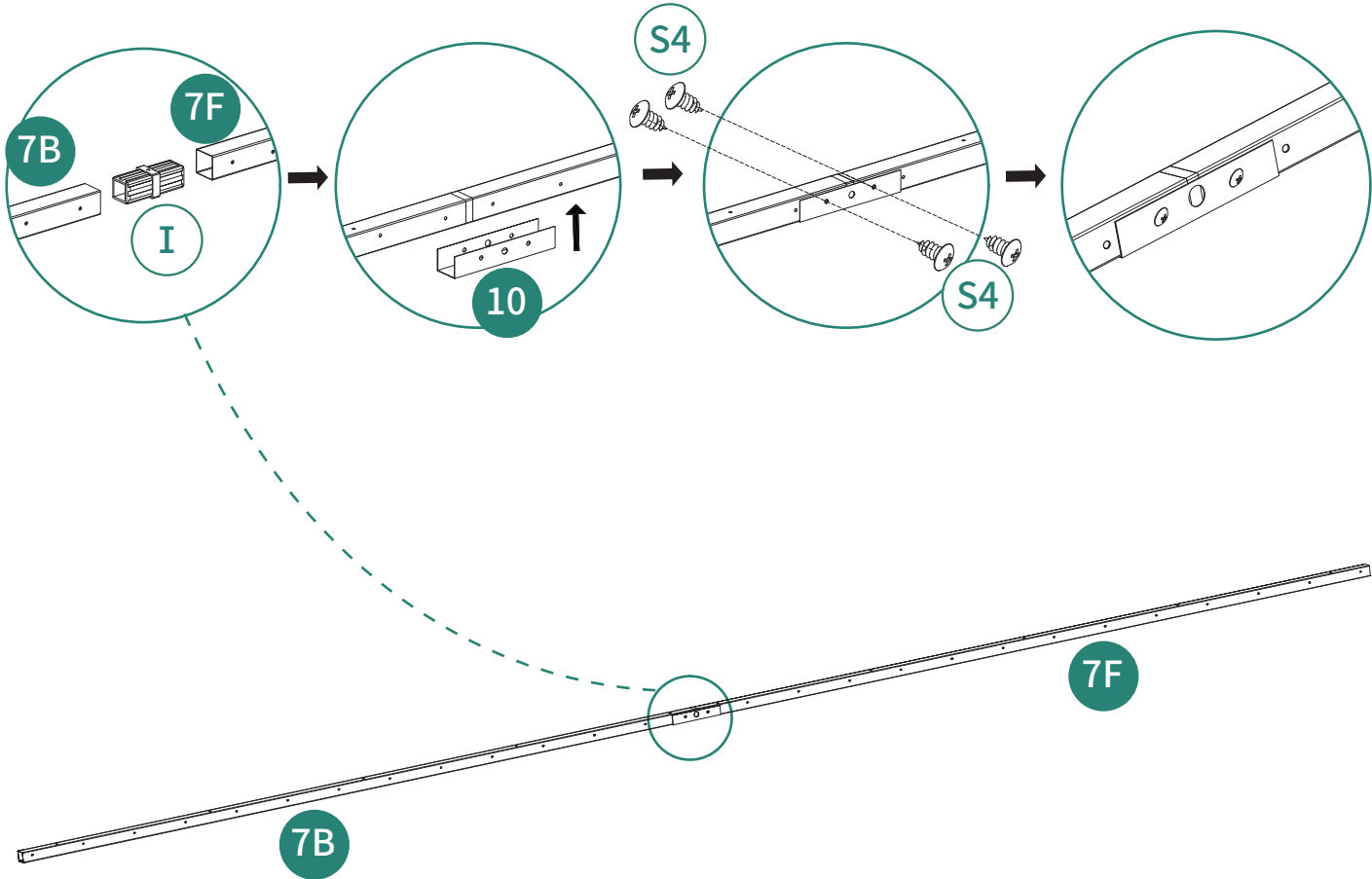
④S 4pcs



**6**  
**X2**



⑦F 2pcs   ⑦B 2pcs   ⑩ 2pcs   ① 2pcs   ④S4 8pcs



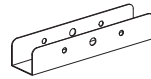
7



8L 1pc



8R 1pc



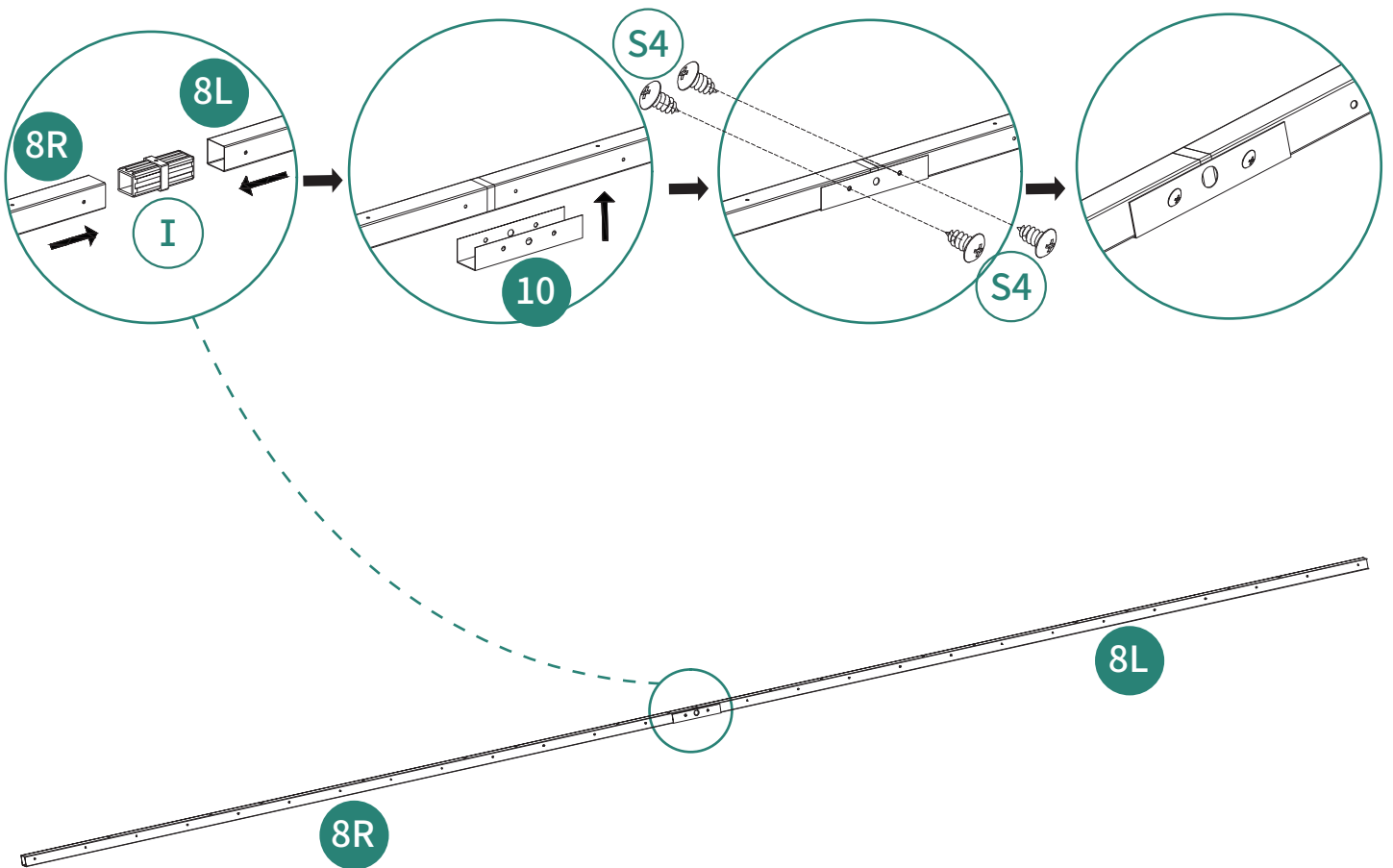
10 1pc



I 1pc



S4 4pcs



# 8



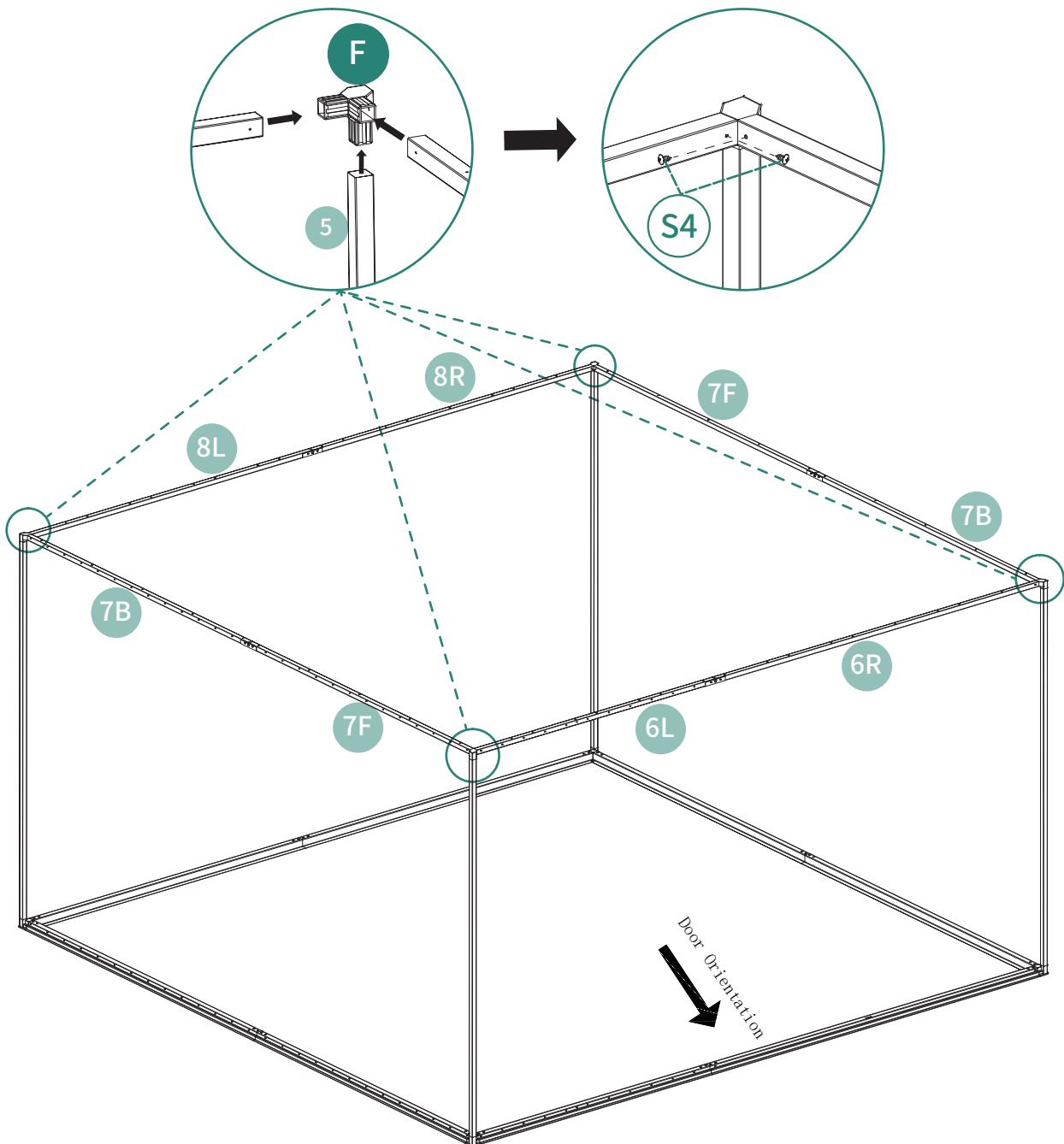
F 4pcs S4 8pcs

**NOTES:**

When assembling the beam:

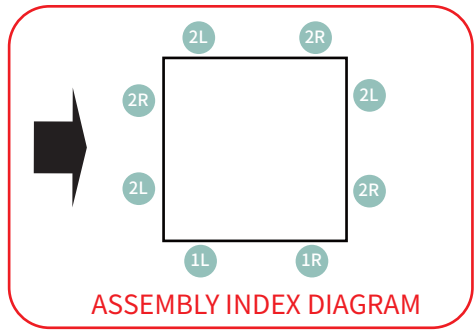
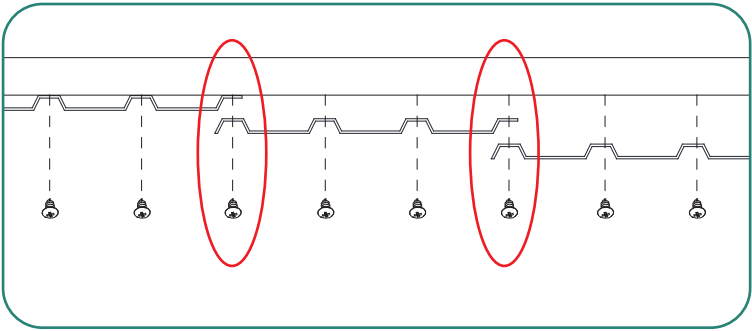
1. Make sure parts (7B, 7F, 8L, 8, 8R) have the sides with closely spaced holes facing outward, and the sides with widely spaced holes facing upward.

2. Ensure parts (6L, 6, 6R) have the sides with rectangular latch lock slot facing downward. Part 6L should be on the left side and part 6R on the right.

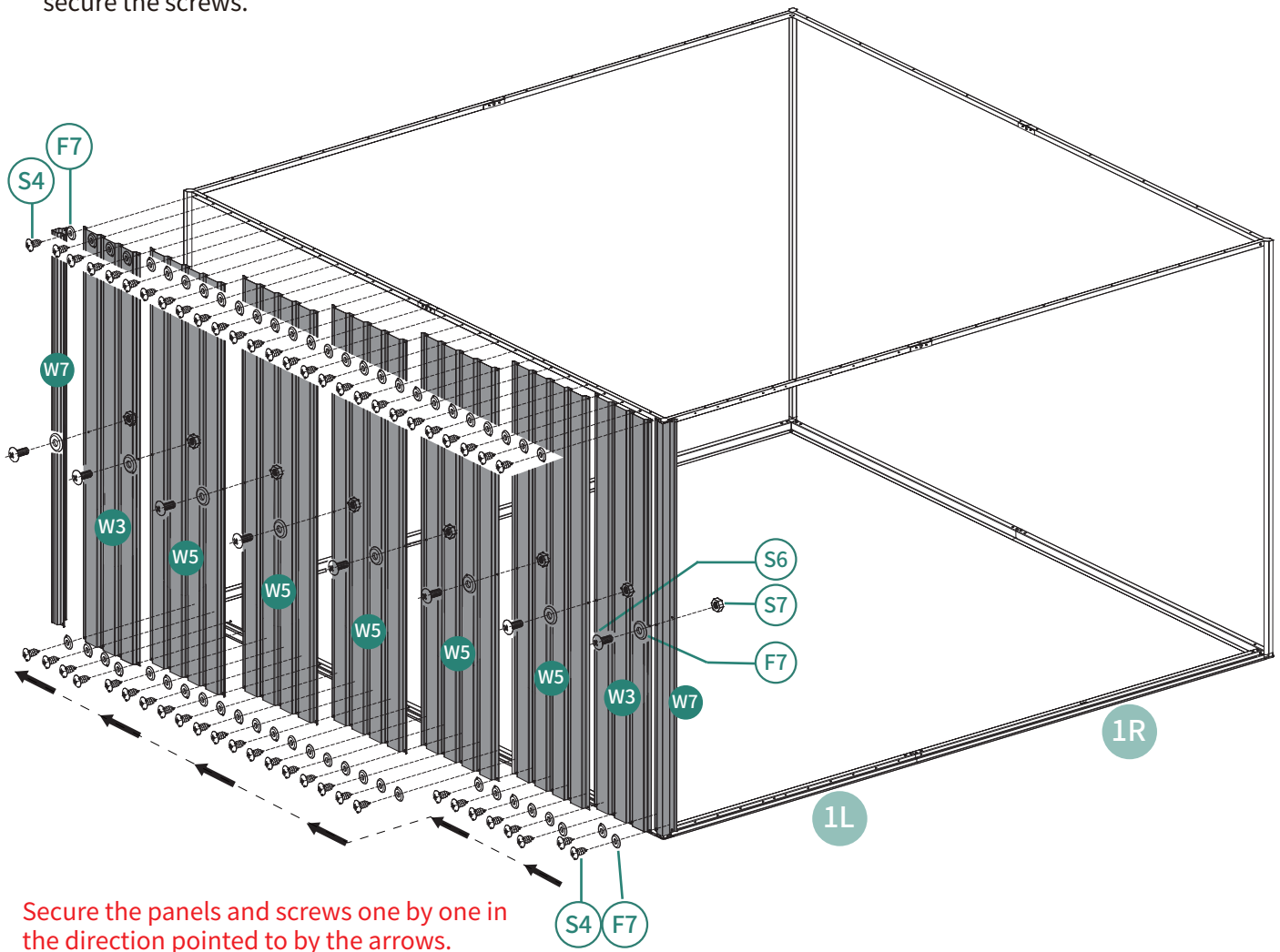


# 9

-  **W3** 2pcs
-  **W5** 5pcs
-  **W7** 2pcs
-  **S4** 54pcs
-  **S6** 8pcs
-  **S7** 8pcs
-  **F7** 62pcs



When fixing the screws, leave the screws on both sides of the component unfastened. Wait until the adjacent component is installed, and then once the two components are overlapped, secure the screws.

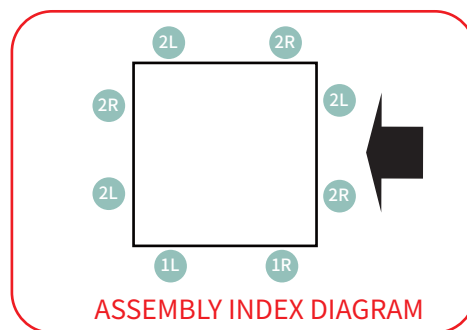
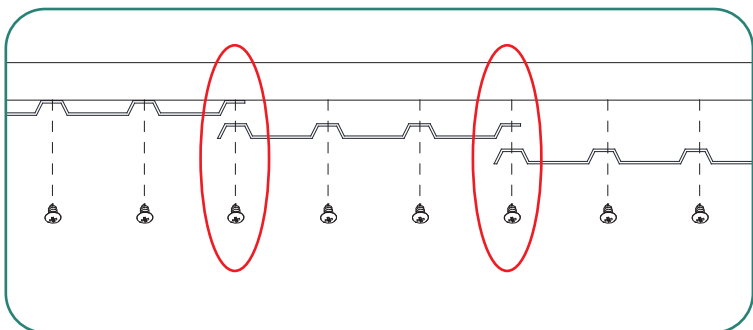


Secure the panels and screws one by one in the direction pointed to by the arrows.

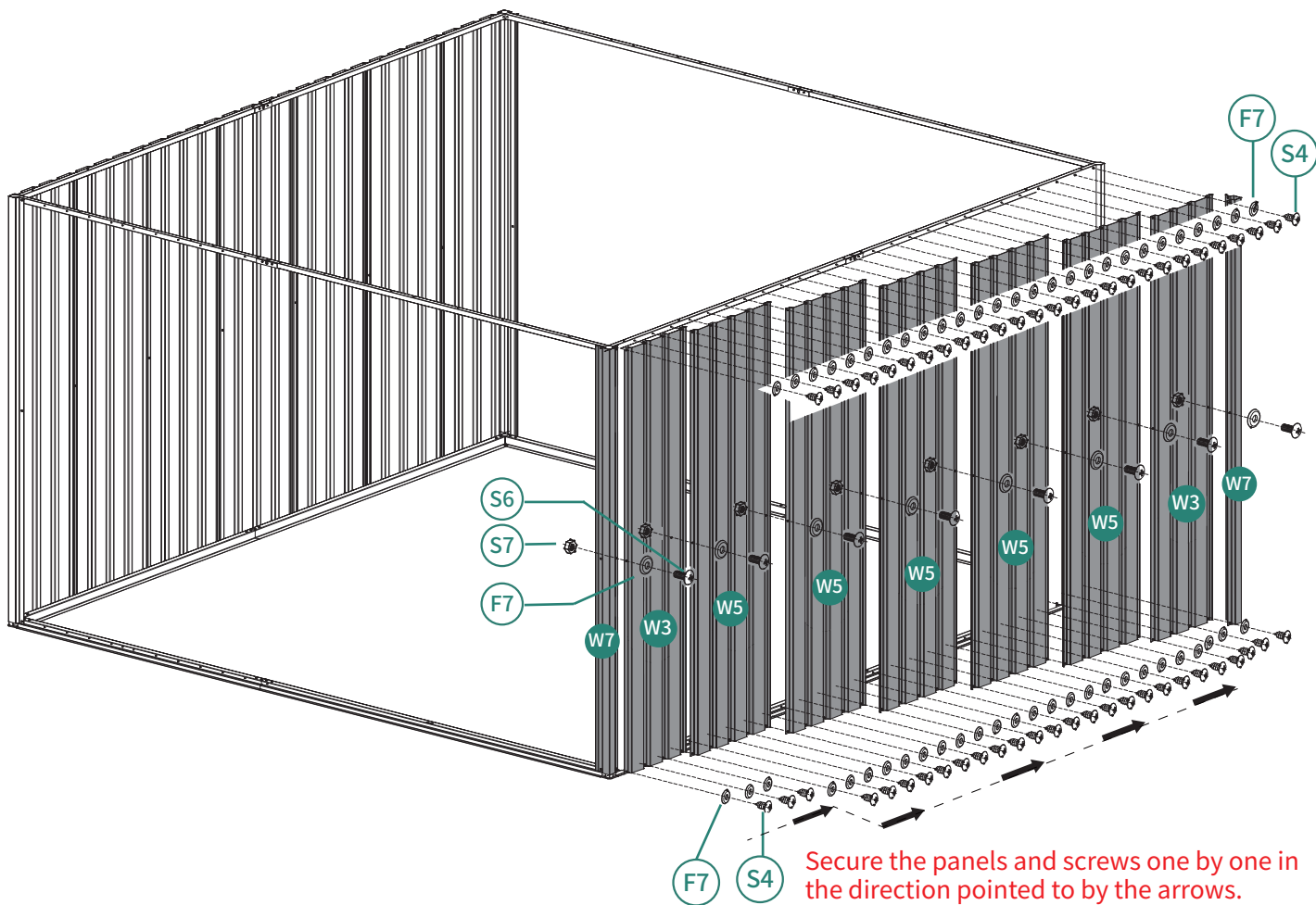
# 10



W3 2pcs W5 5pcs W7 2pcs S4 54pcs S6 8pcs S7 8pcs F7 62pcs



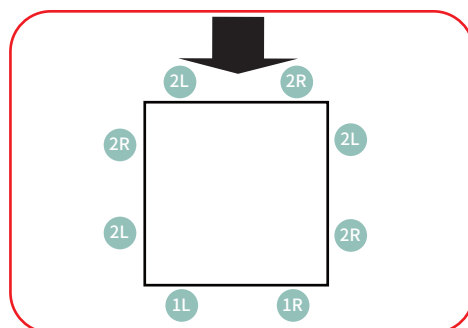
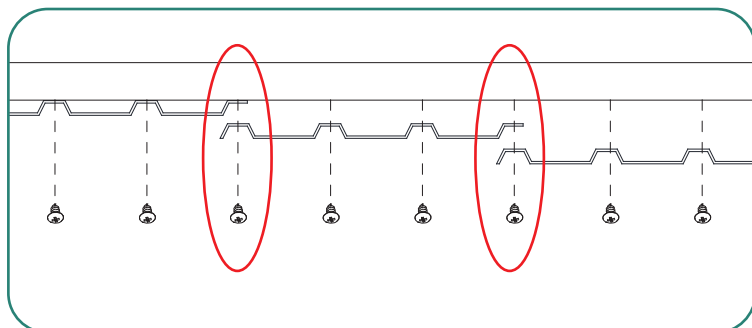
When fixing the screws, leave the screws on both sides of the component unfastened. Wait until the adjacent component is installed, and then once the two components are overlapped, secure the screws.



# 11

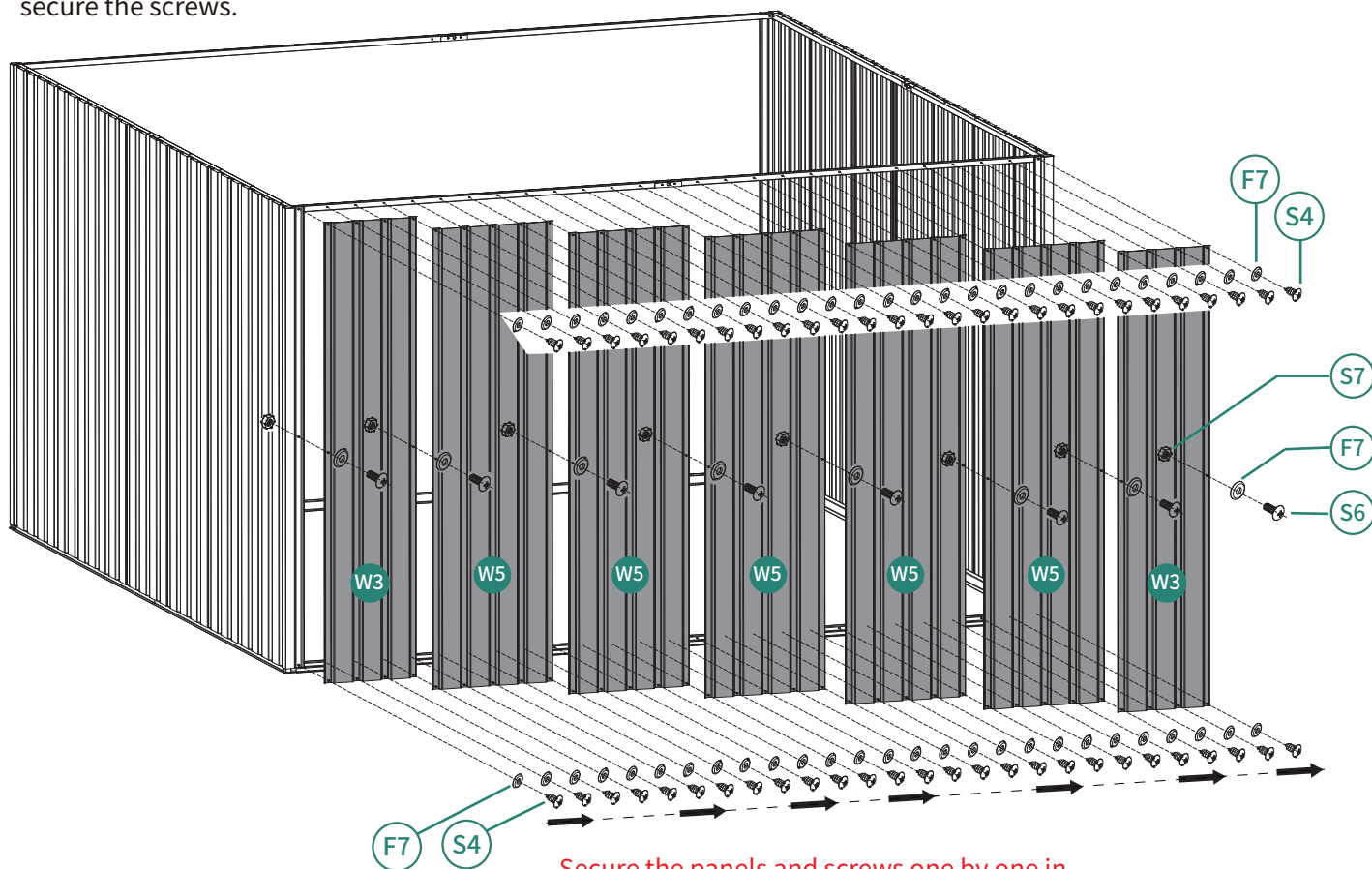


W3 2pcs W5 5pcs S4 54pcs S6 8pcs S7 8pcs F7 62pcs




ASSEMBLY INDEX DIAGRAM

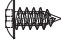
When fixing the screws, leave the screws on both sides of the component unfastened. Wait until the adjacent component is installed, and then once the two components are overlapped, secure the screws.

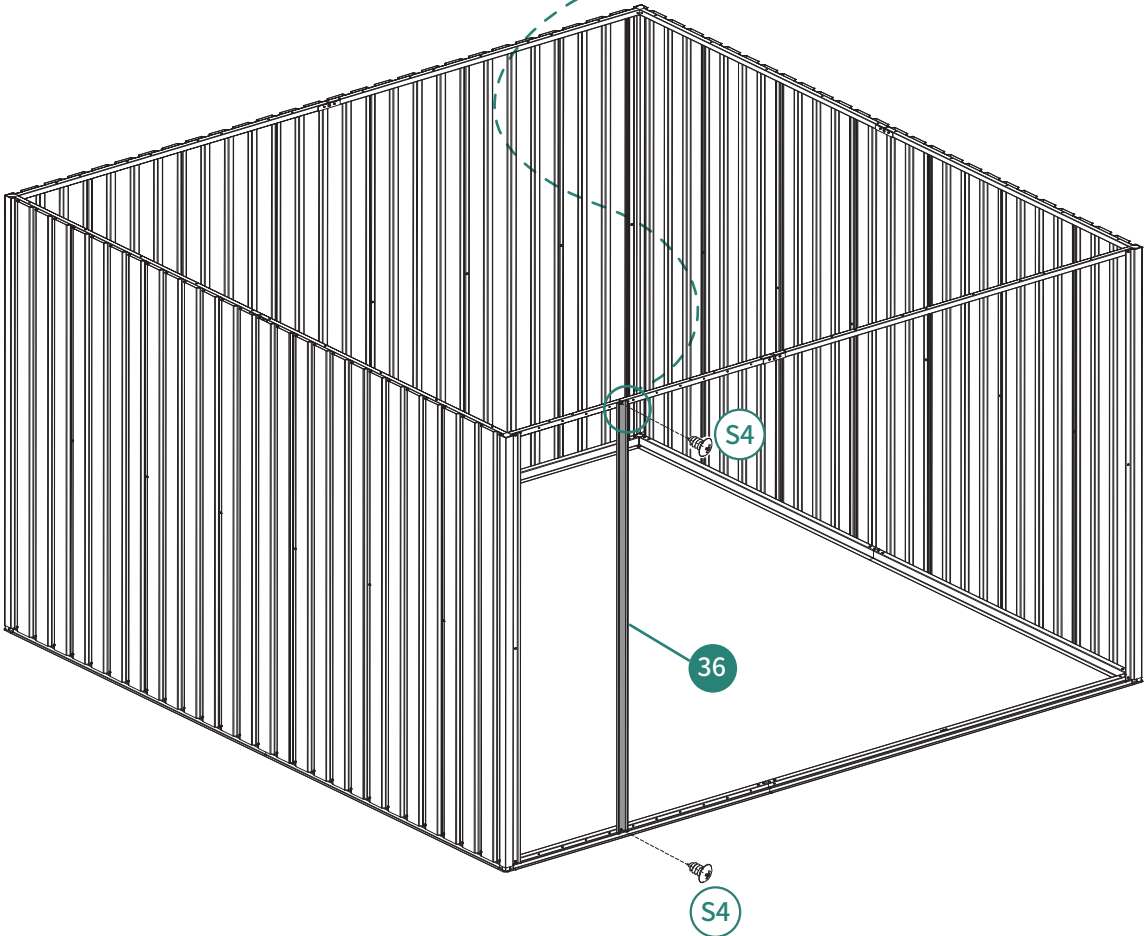
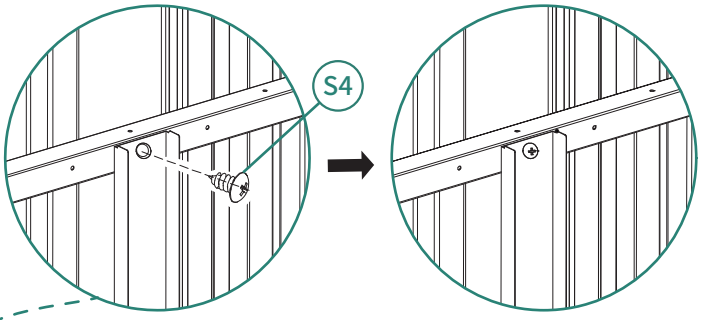


Secure the panels and screws one by one in the direction pointed to by the arrows.

**12**

  
③⑥ 1pc

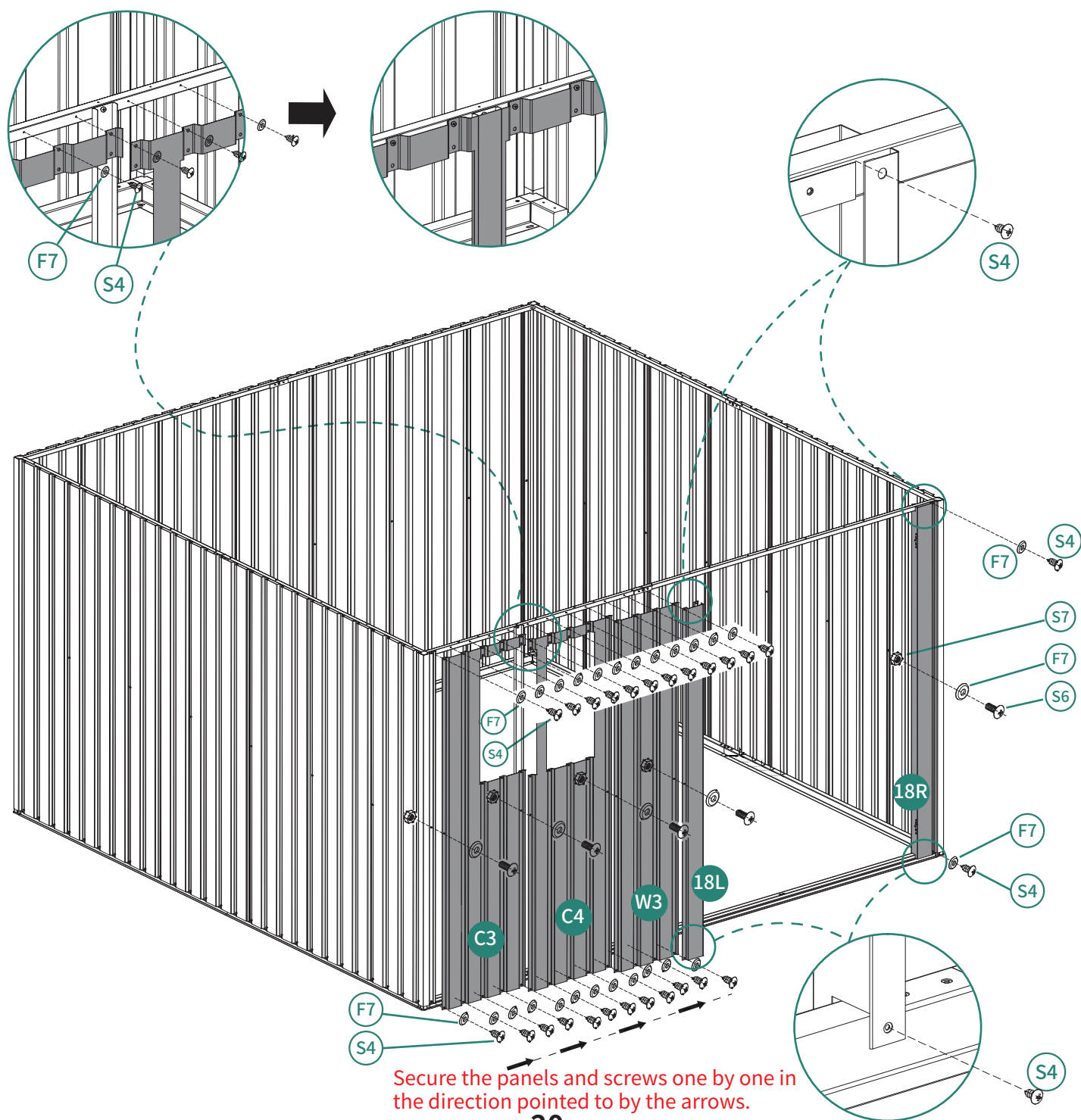
  
S4 2pcs



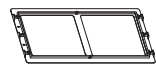
# 13



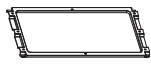
18L 1pc 18R 1pc C3 1pc C4 1pc W3 1pc S4 30pcs S6 5pcs S7 5pcs F7 31pcs



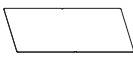
# 14



F12 2pcs



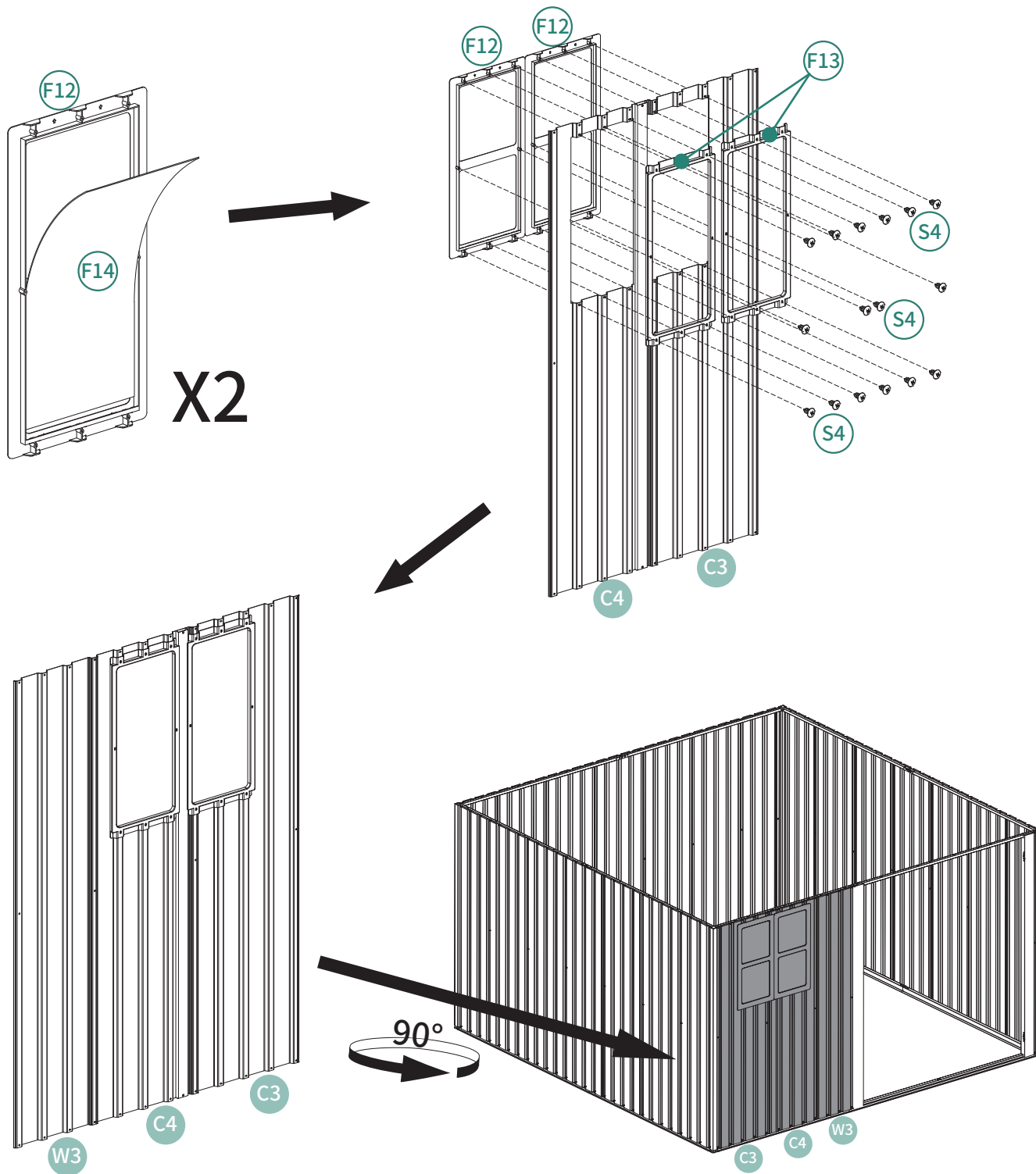
F13 2pcs




F14 2pcs

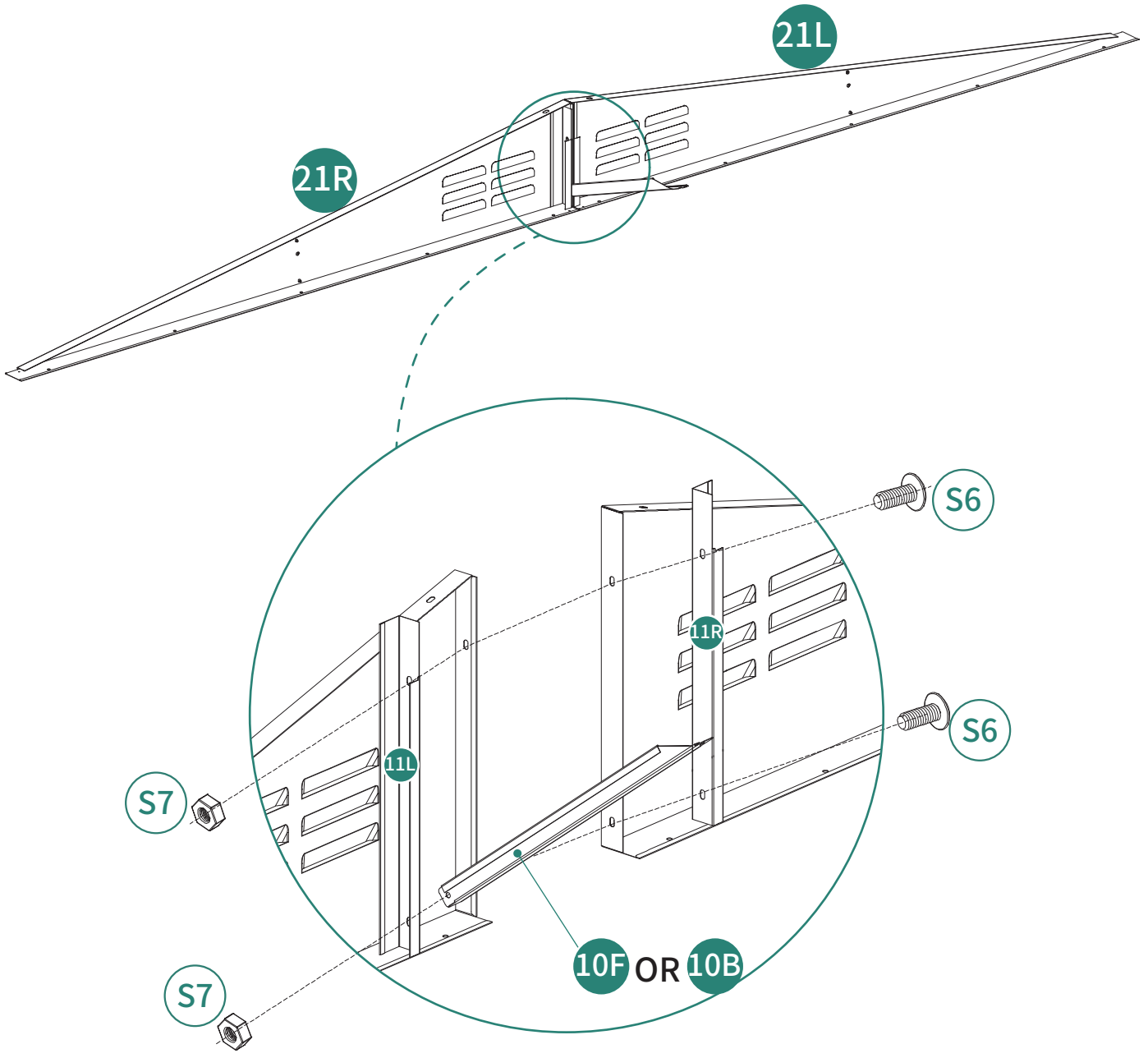


S4 16pcs

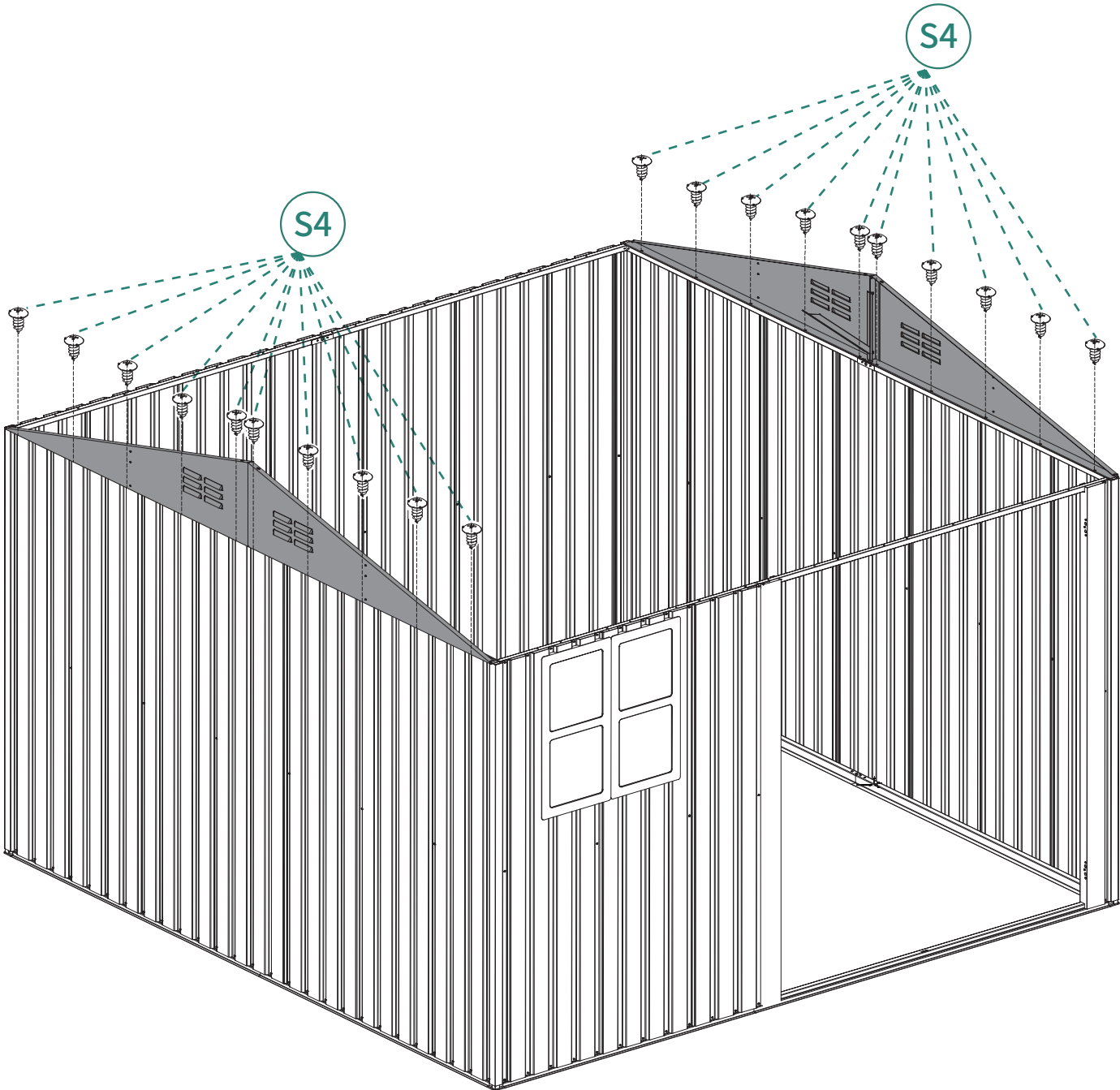
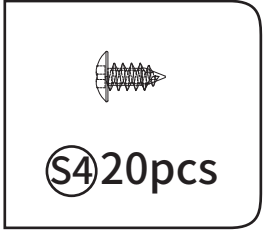


**15**  
**X2**

- 
- ⑩F 1pc
  - ⑩B 1pc
  - ⑪L 2pcs
  - ⑪R 2pcs
  - ⑳L 2pcs
  - ⑳R 2pcs
  - Ⓢ6 4pcs
  - Ⓢ7 4pcs



16



# 17



9F 1pc



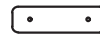
9B 1pc



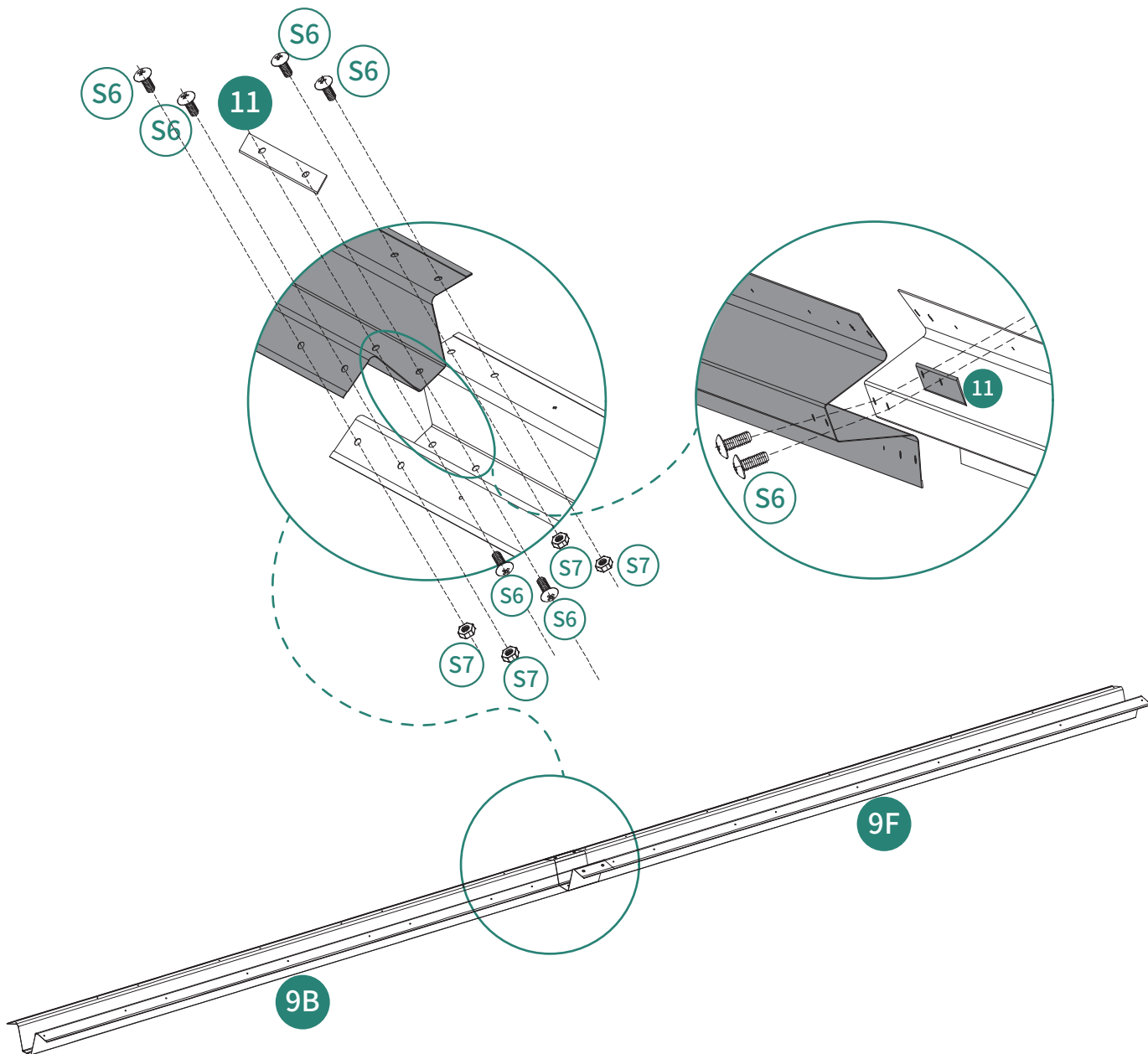
S6 6pcs



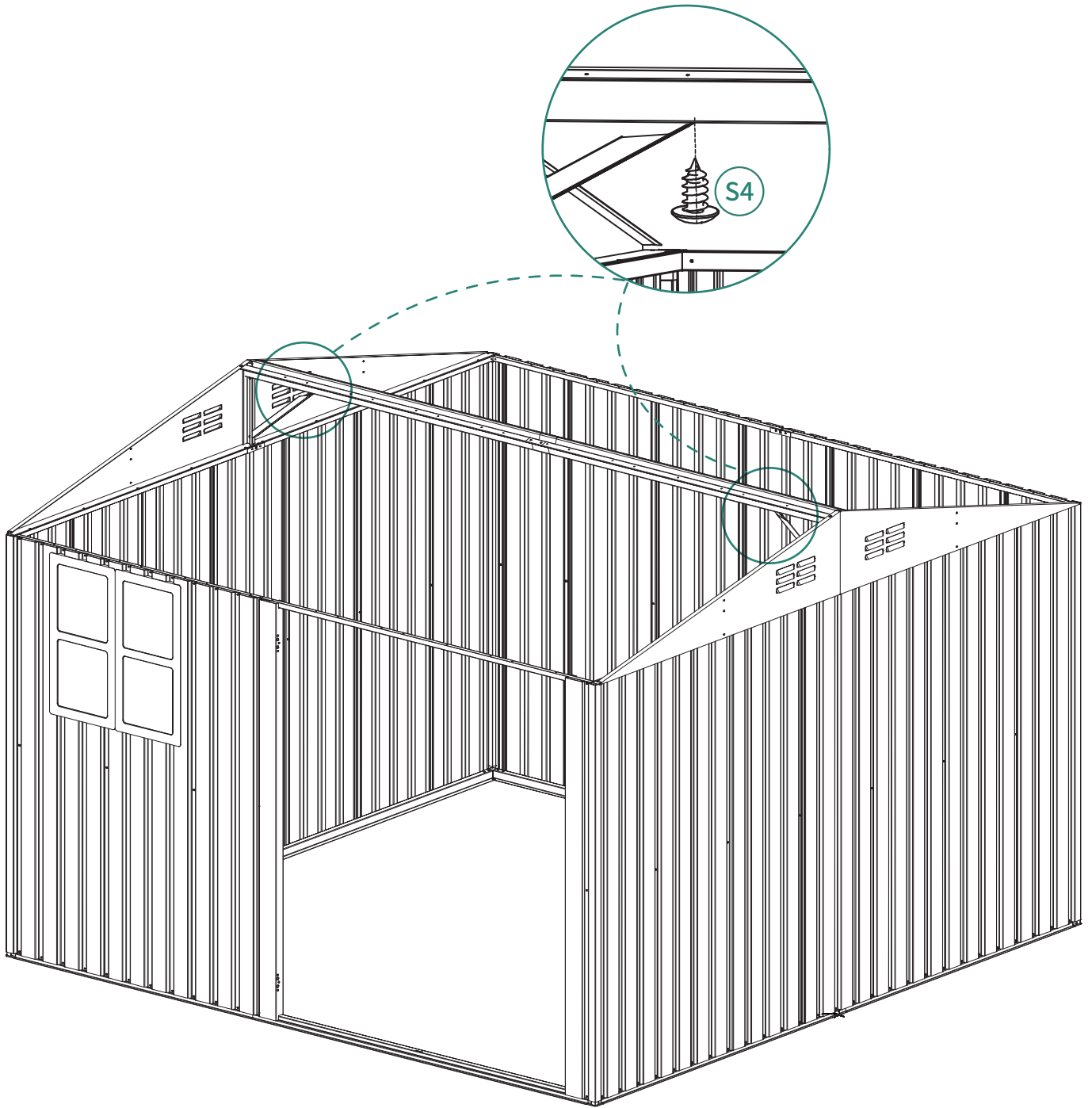
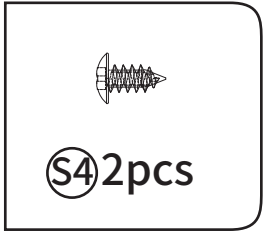
S7 4pcs



11 1pc



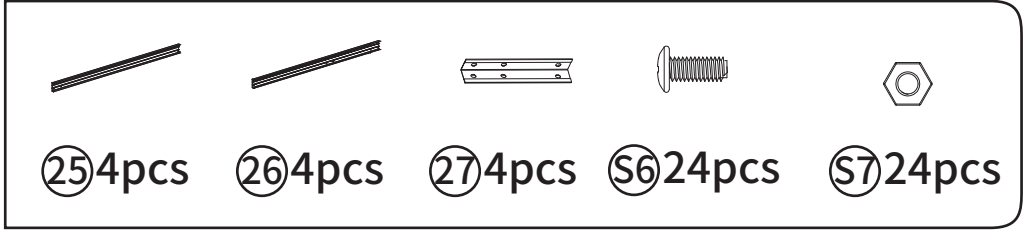
18



# 19

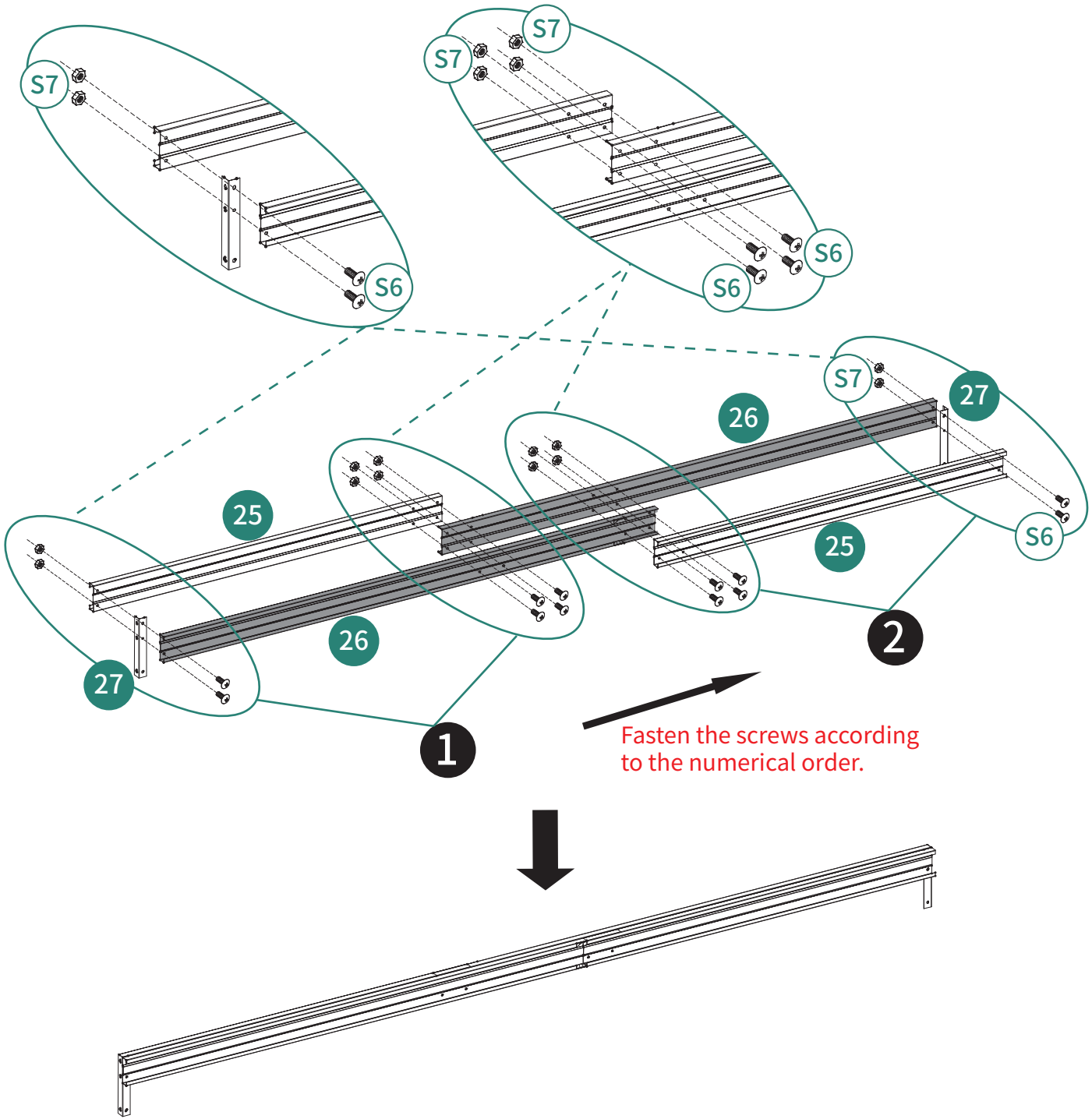
---

# X2



②5 4pcs    ②6 4pcs    ②7 4pcs    S6 24pcs    S7 24pcs

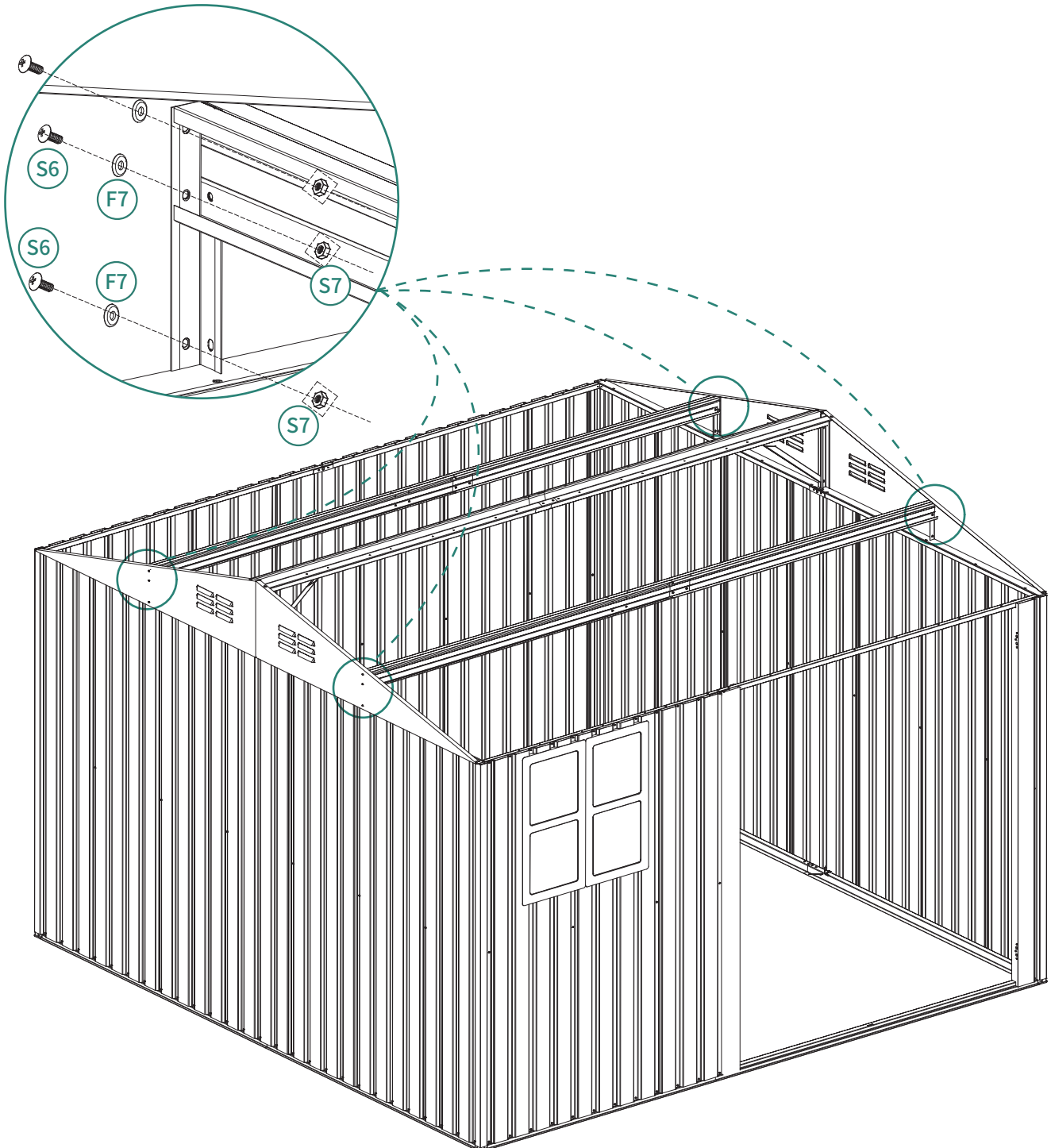
The parts list includes: 4 pieces of part 25 (a long thin rod), 4 pieces of part 26 (a shorter rod), 4 pieces of part 27 (a vertical bracket), 24 screws labeled S6, and 24 screws labeled S7.



20



S6 12pcs S7 12pcs F7 12pcs

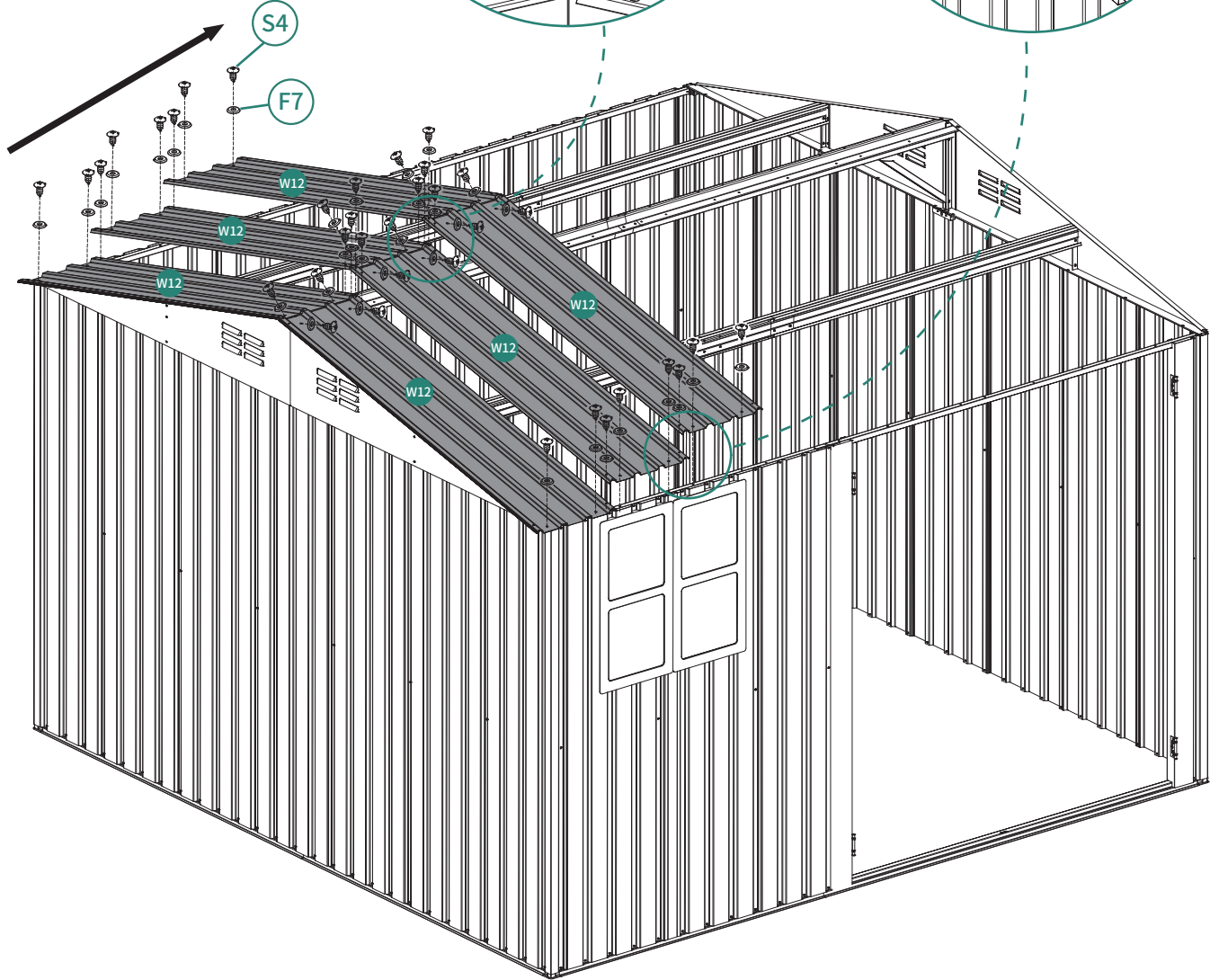
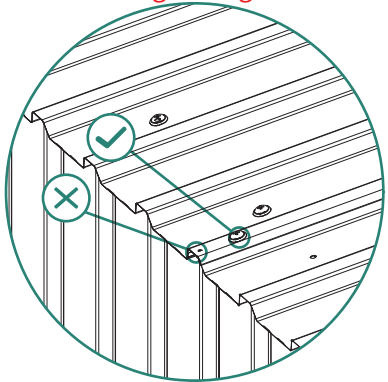
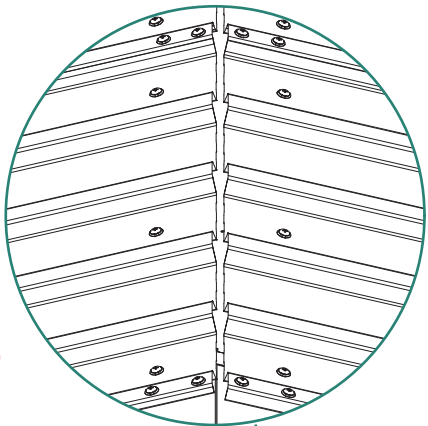


# 21

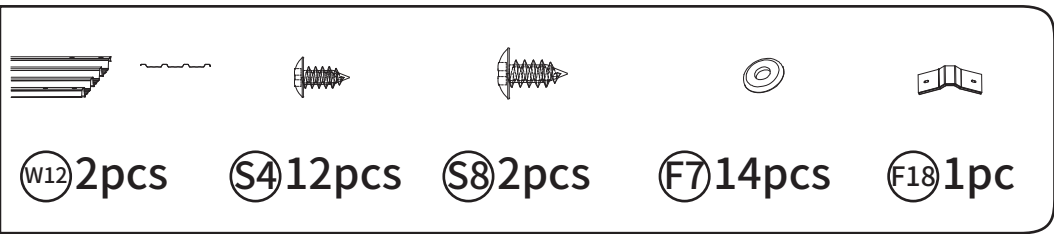
W12 6pcs   S4 36pcs   F7 36pcs

Pay attention to the placement of the fastening screws at the overlap joints when installing corrugated roofing.

Place the side with larger distance between holes and edges on the top

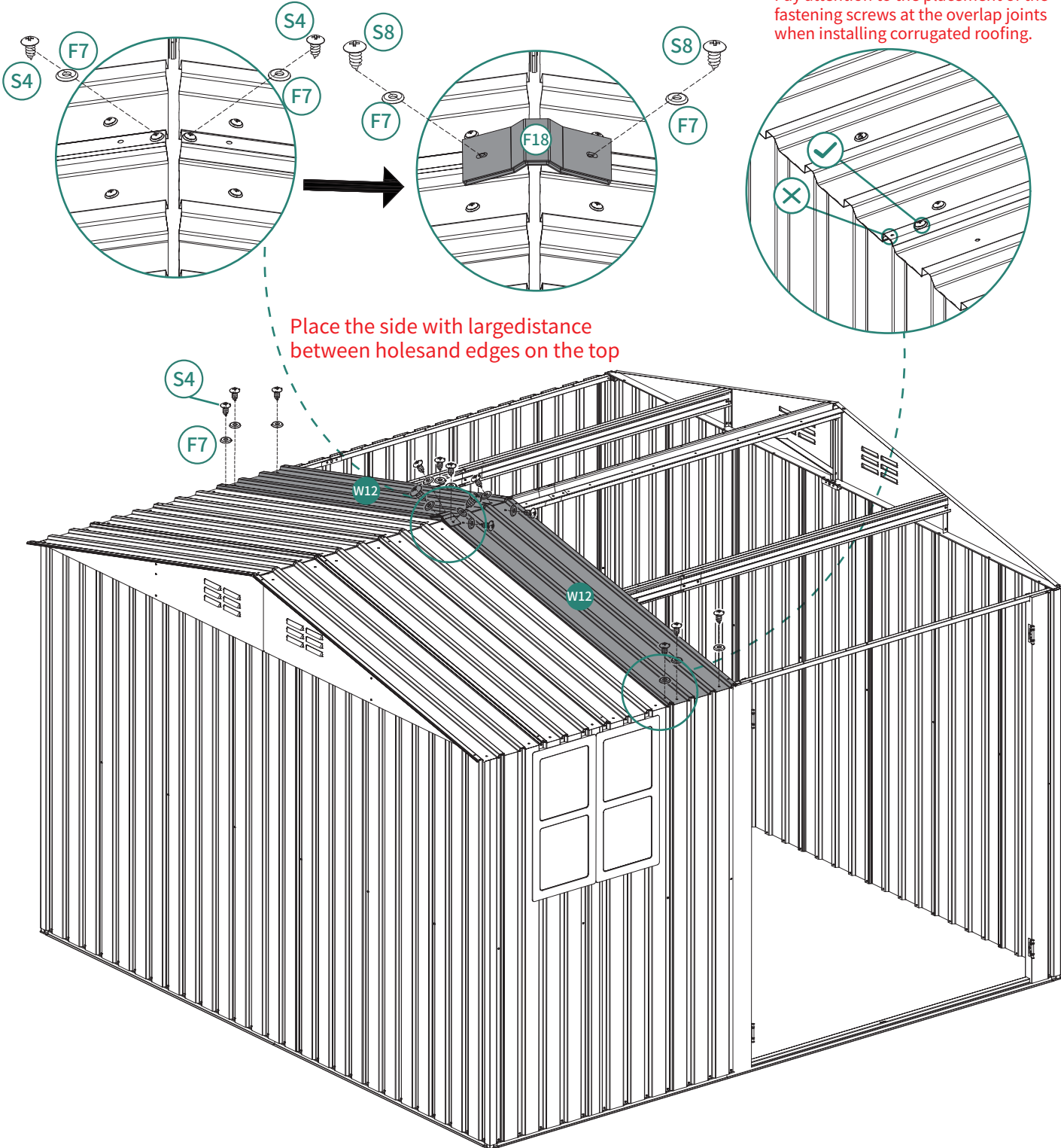


# 22

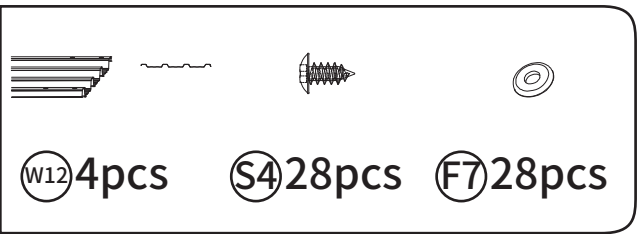


W12 2pcs   S4 12pcs   S8 2pcs   F7 14pcs   F18 1pc

Pay attention to the placement of the fastening screws at the overlap joints when installing corrugated roofing.

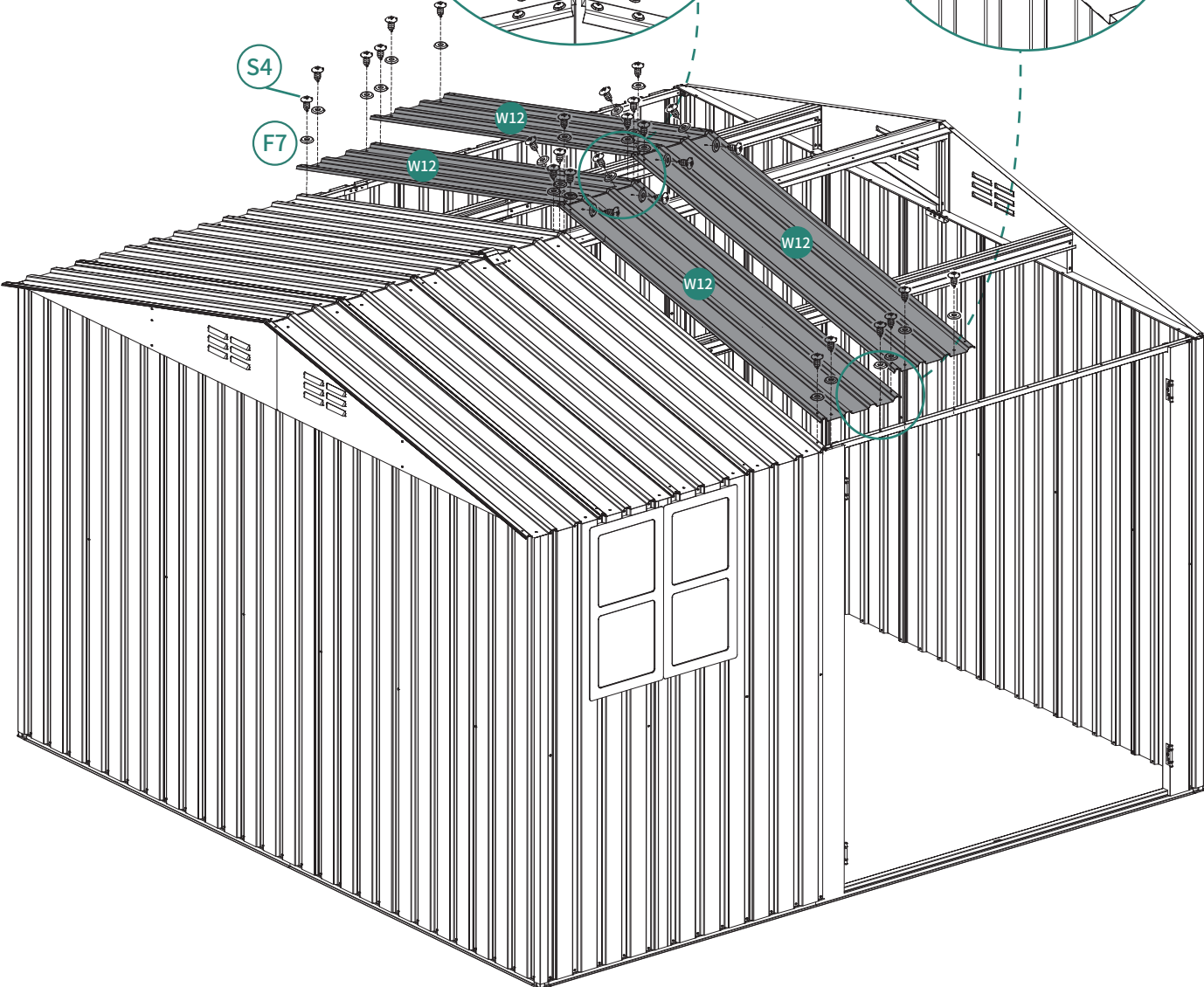
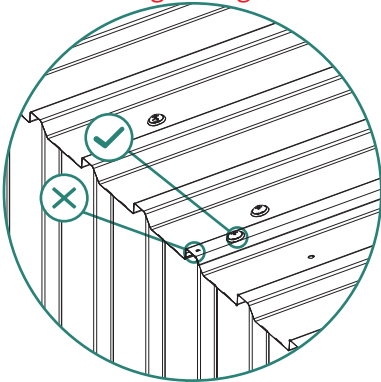
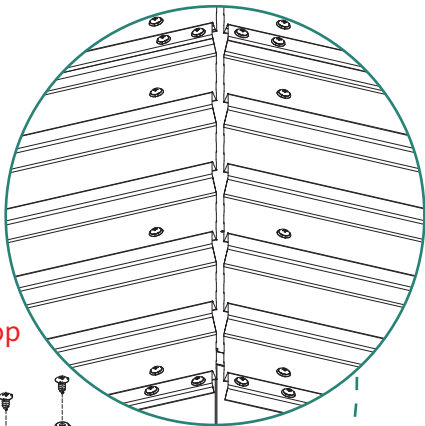


# 23



Pay attention to the placement of the fastening screws at the overlap joints when installing corrugated roofing.

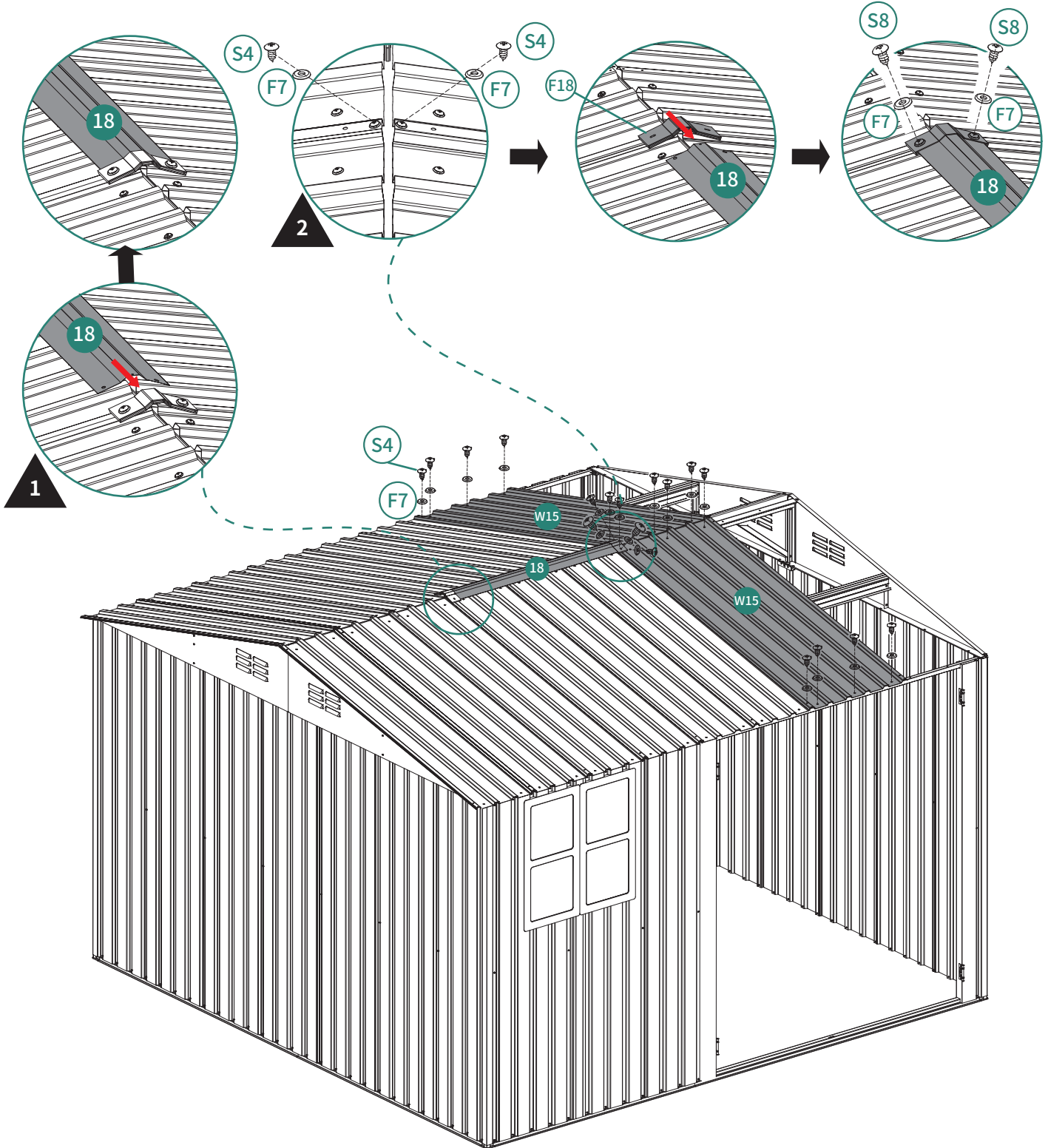
Place the side with largest distance between holes and edges on the top



# 24



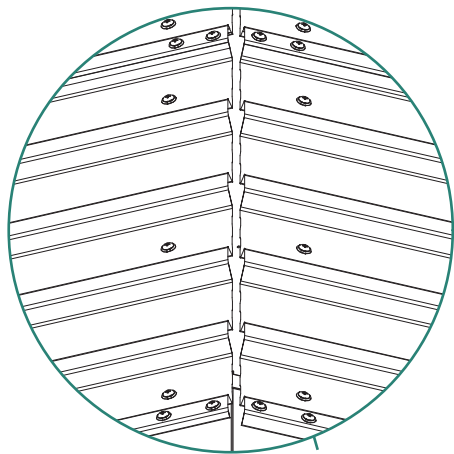
W15 2pcs S4 16pcs S8 2pcs F7 18pcs F18 1pc 18 1pc



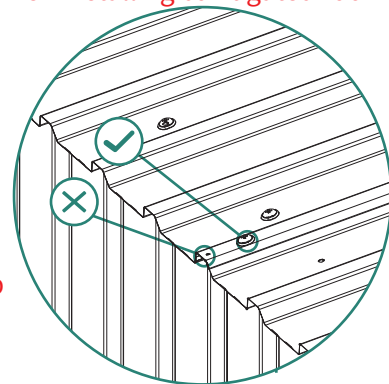
# 25



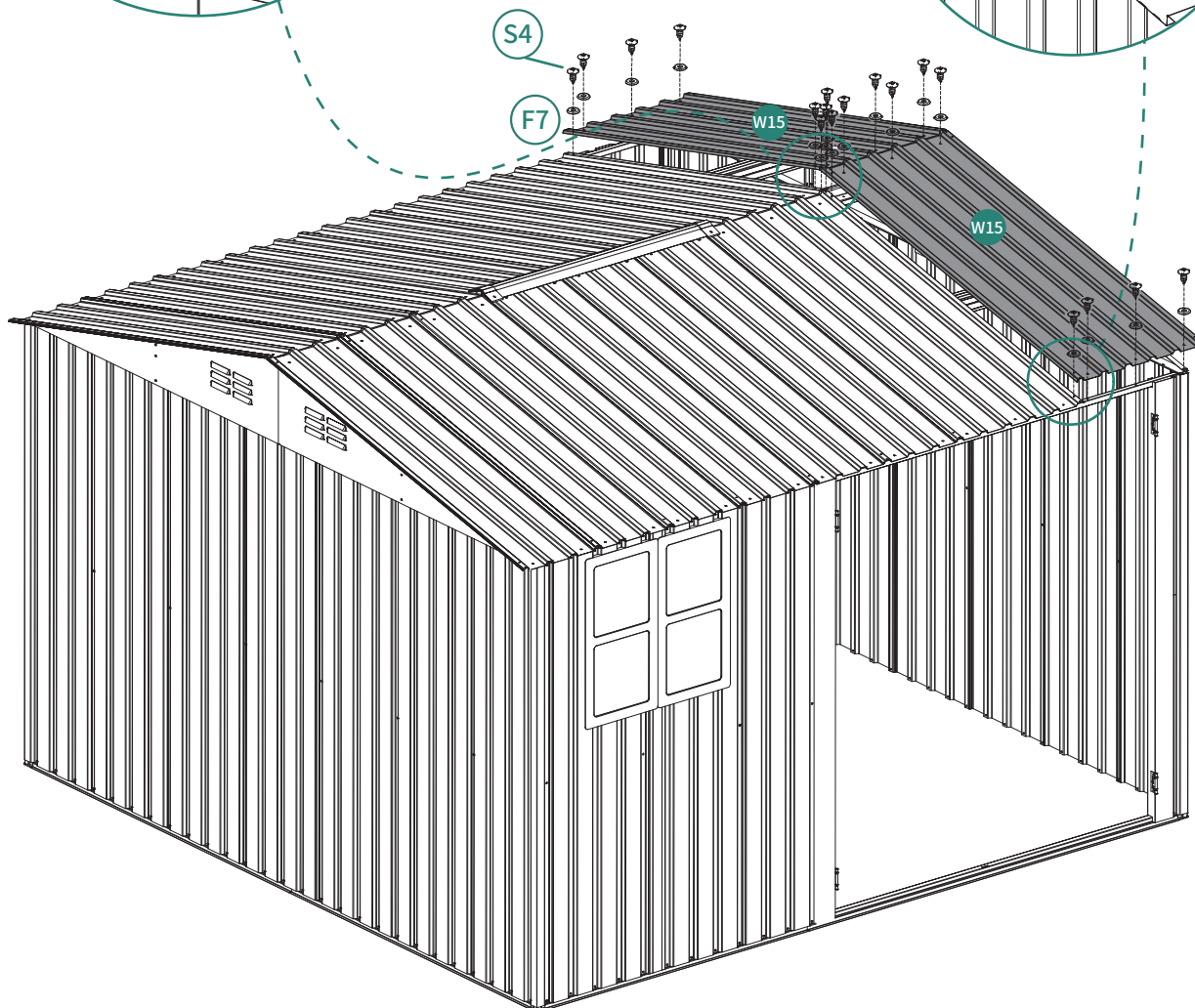
W15 2pcs S4 18pcs F7 18pcs













Pay attention to the placement of the fastening screws at the overlap joints when installing corrugated roofing.



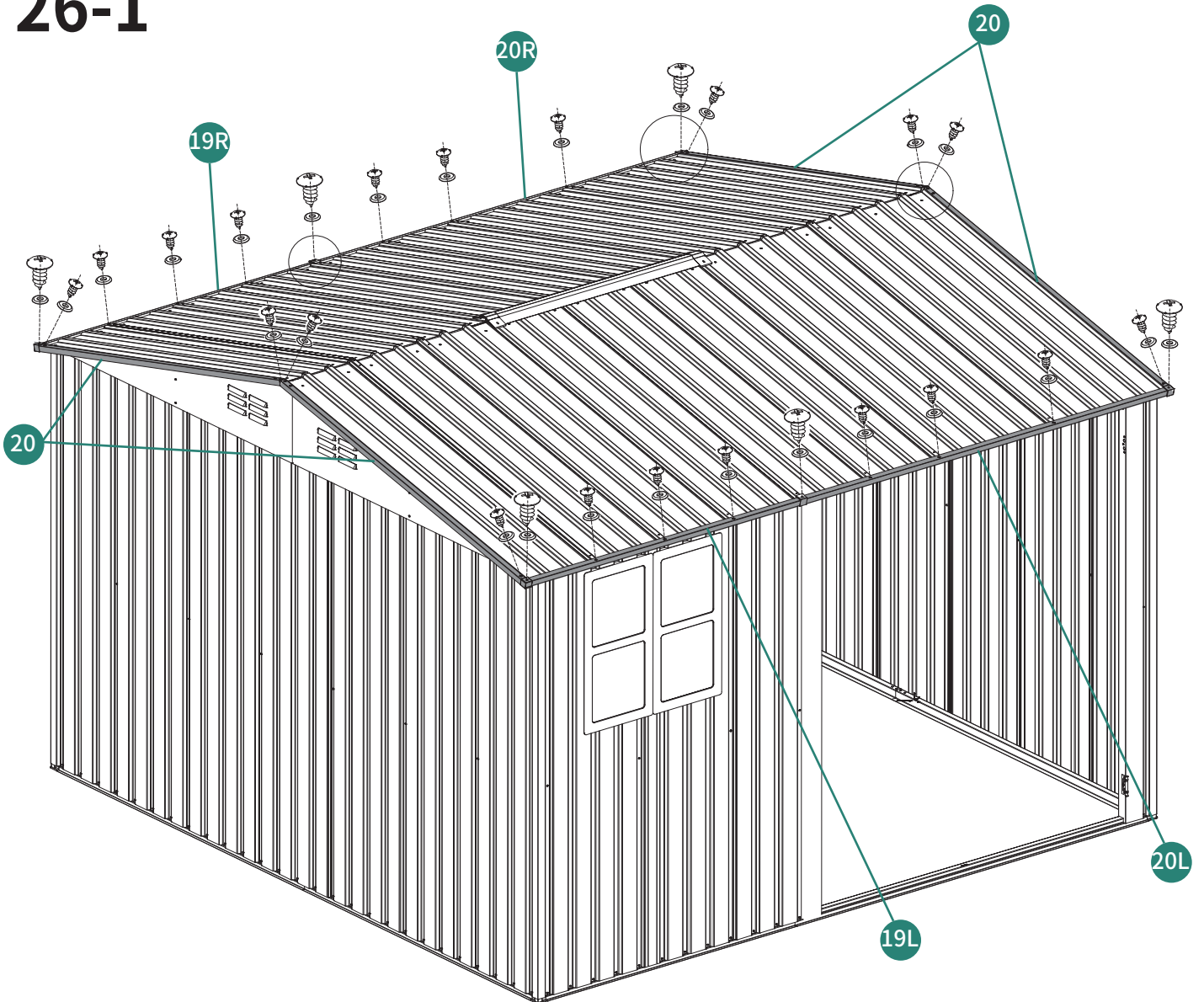
Place the side with larger distance between holes and edges on the top



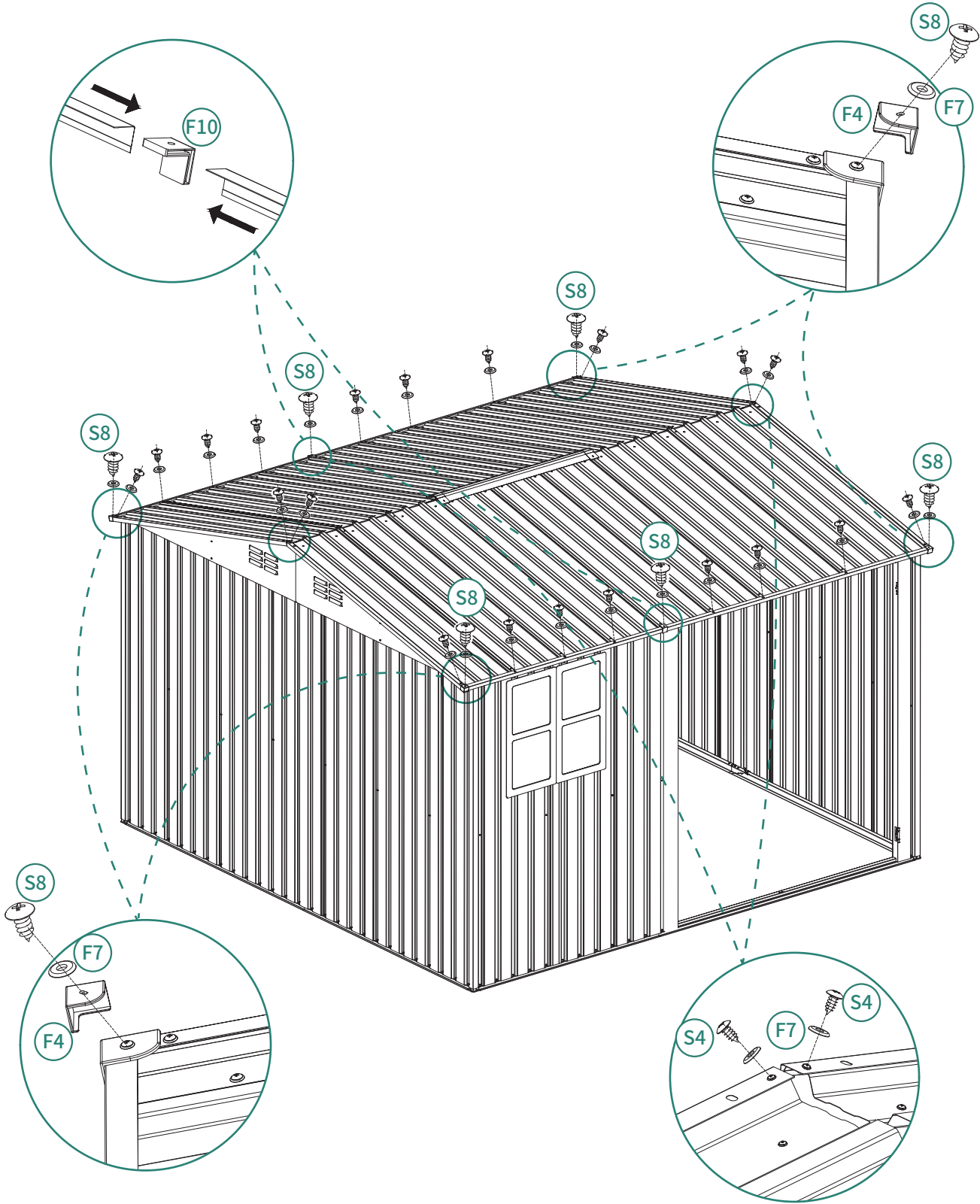
# 26

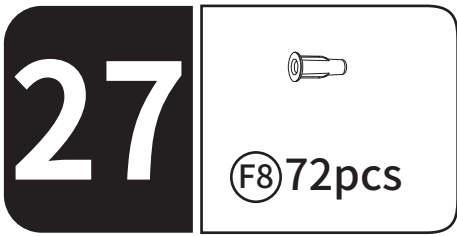
- |   |   |   |   |   |
|---|---|---|---|---|
|  |  |  |  |   |
| ①9L 1pc   | ②0L 1pc   | ①9R 1pc   | ②0R 1pc   | ②0 4pcs   |
|  |  |  |  |  |
| ④S4 20pcs   | ⑥S8 6pcs  | ④F4 4pcs  | ⑦F7 26pcs   | ⑩F10 2pcs   |

## 26-1

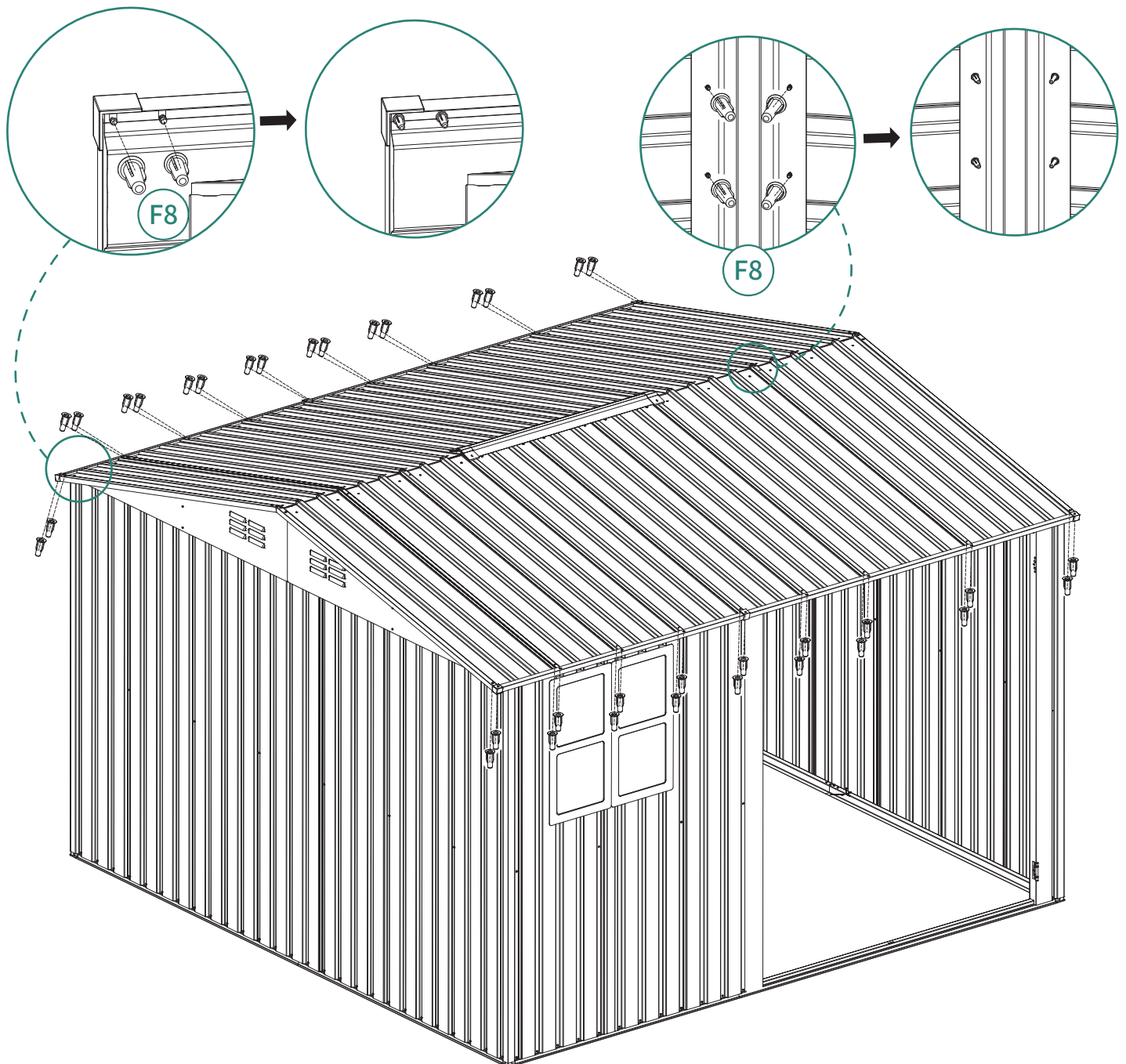


# 26-2





After fixing the screws, there will be some exposed screw parts on the component.  
Please use the provided plastic protective covers to protect the exposed screw parts,  
to avoid scratches during use.



# 28



18B 1pc



18F 1pc



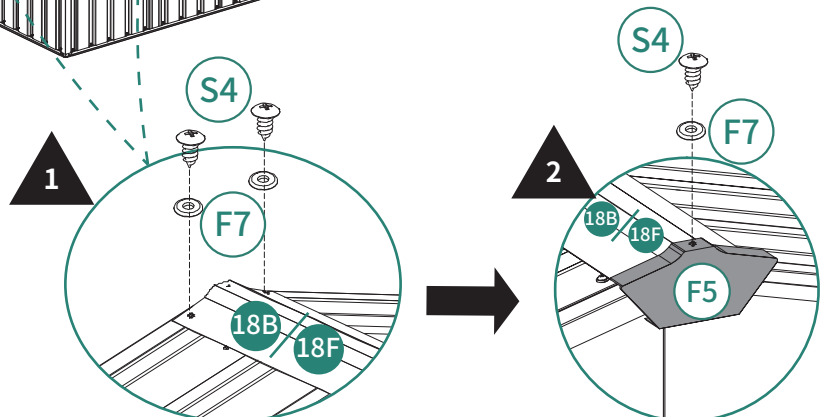
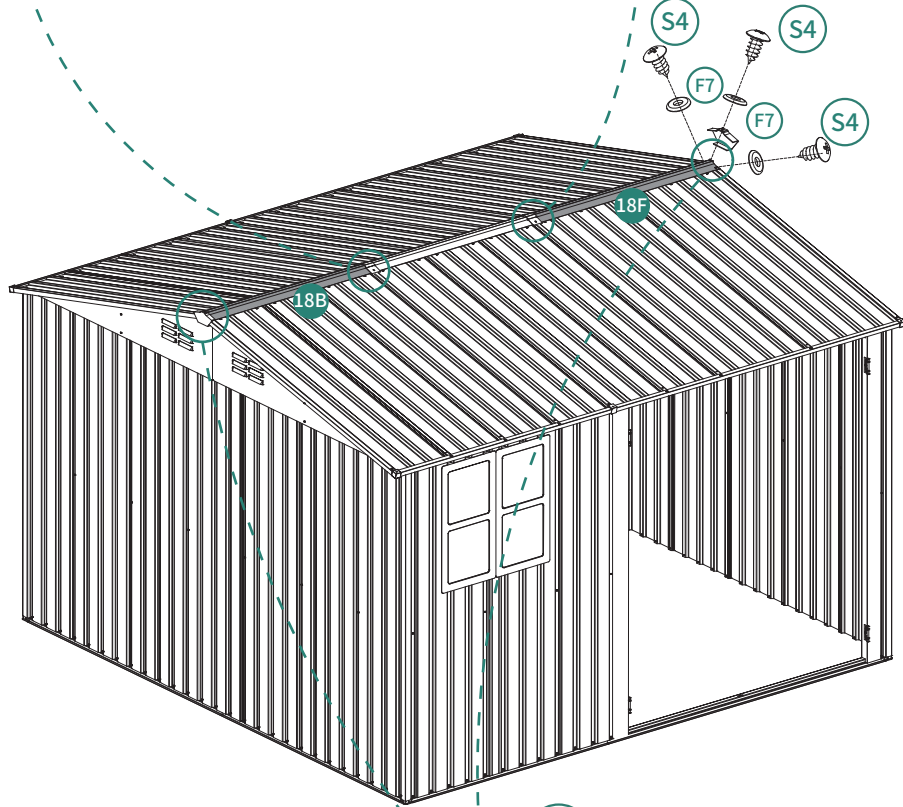
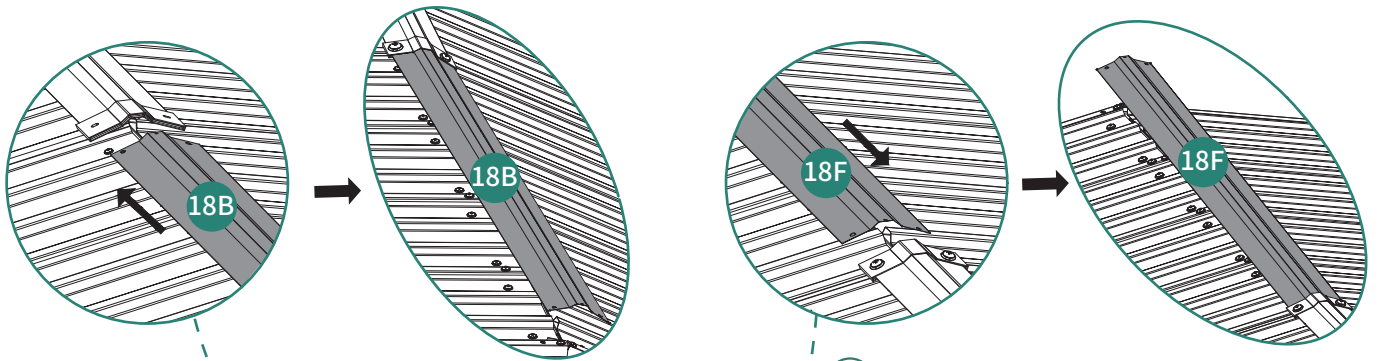
F5 2pcs




F7 6pcs



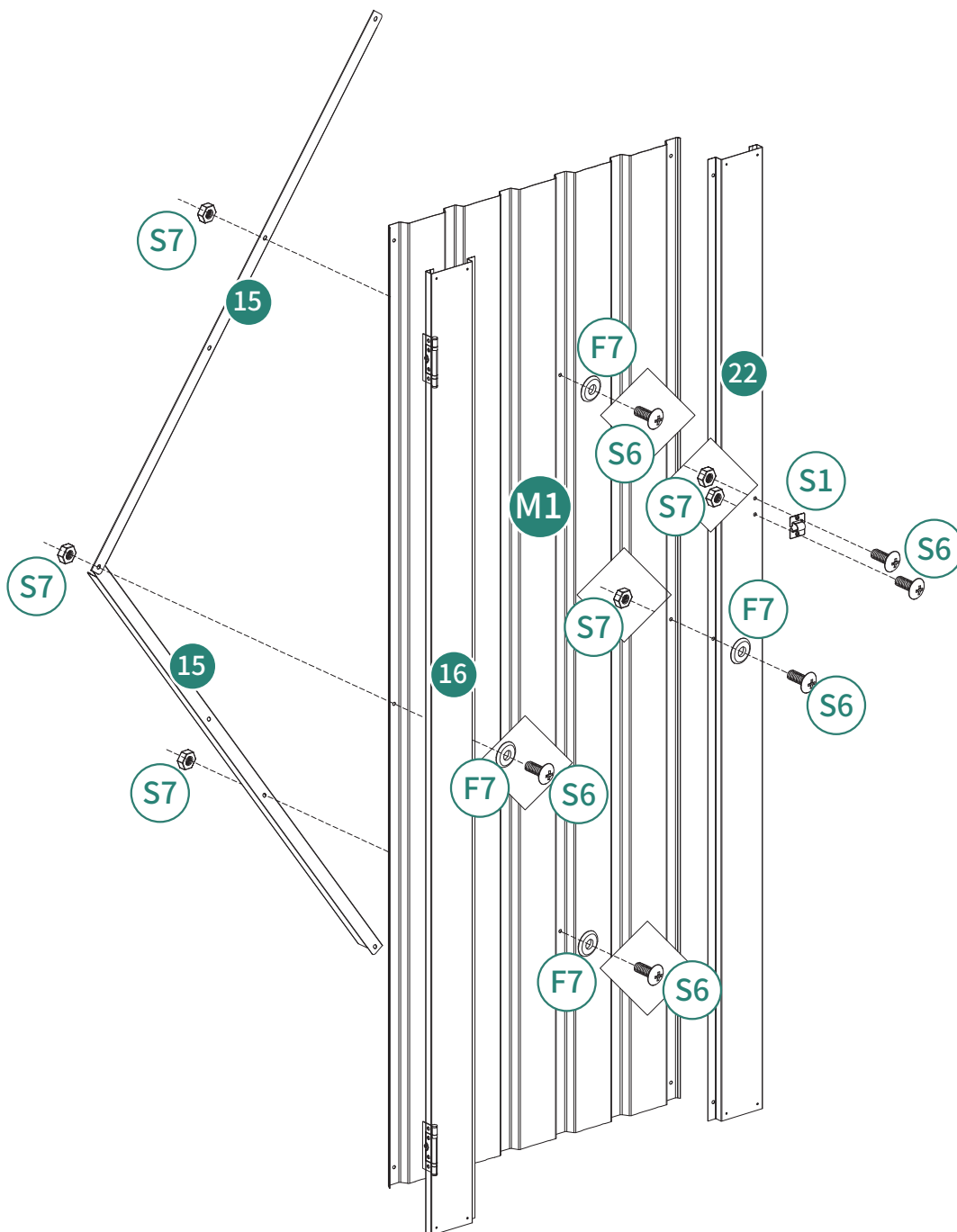
S4 6pcs



# 29

- 
- ⑮ 2 pcs
  - ⑯ 1 pc
  - ⑳ 1 pc
  - Ⓜ 1 pc
  - Ⓢ6 6 pcs
  - Ⓢ7 6 pcs
  - ⓕ7 4 pcs
  - Ⓢ1 1 pc

Install part 16 to the side of part M1 (front side panel) with the longer distance from the center screw hole to the edge, and part 22 to the side with the shorter distance.



30



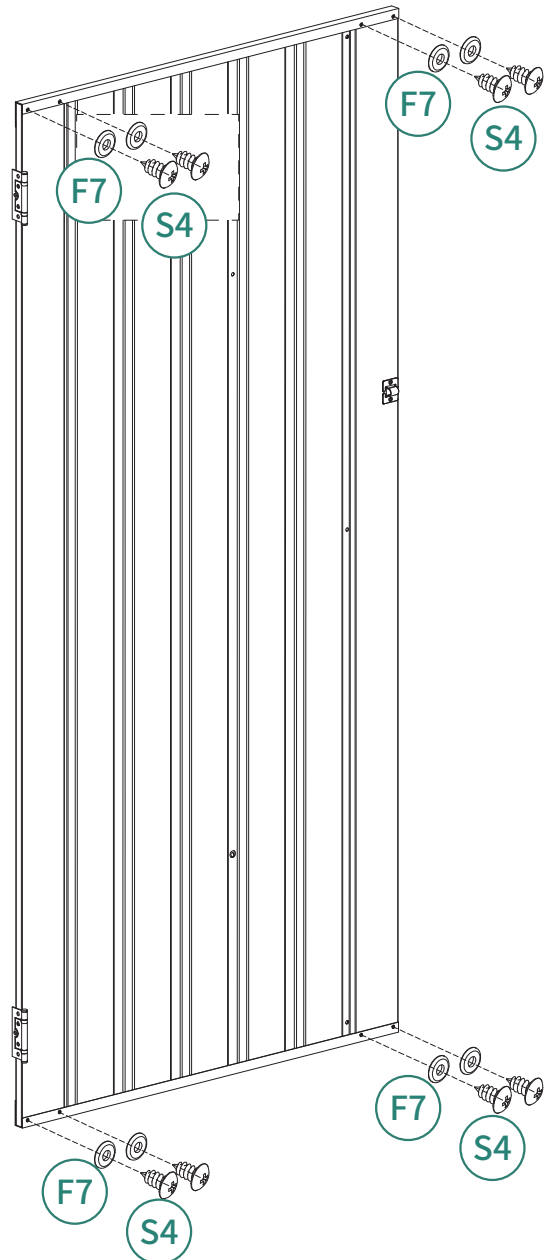
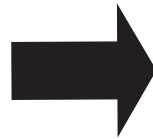
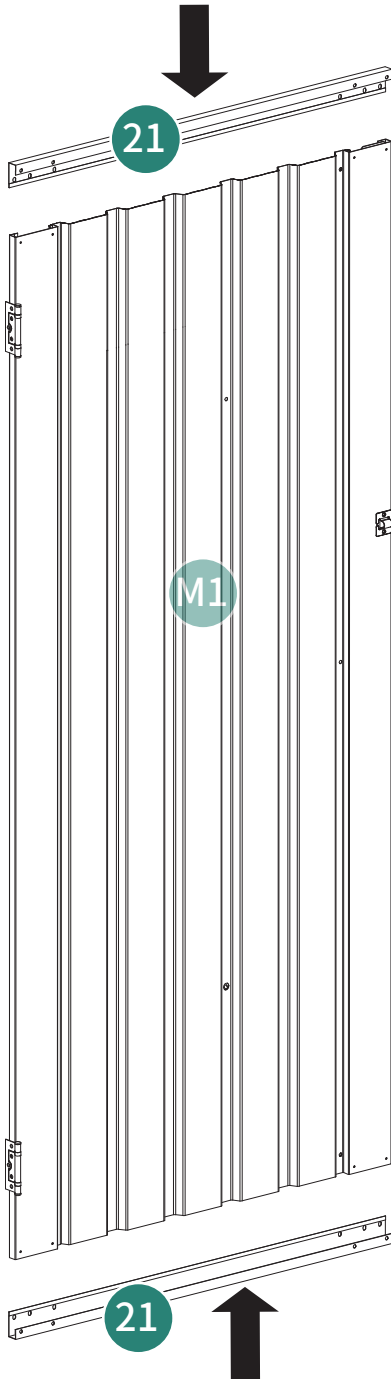
(21) 2pcs



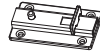
(S4) 8pcs



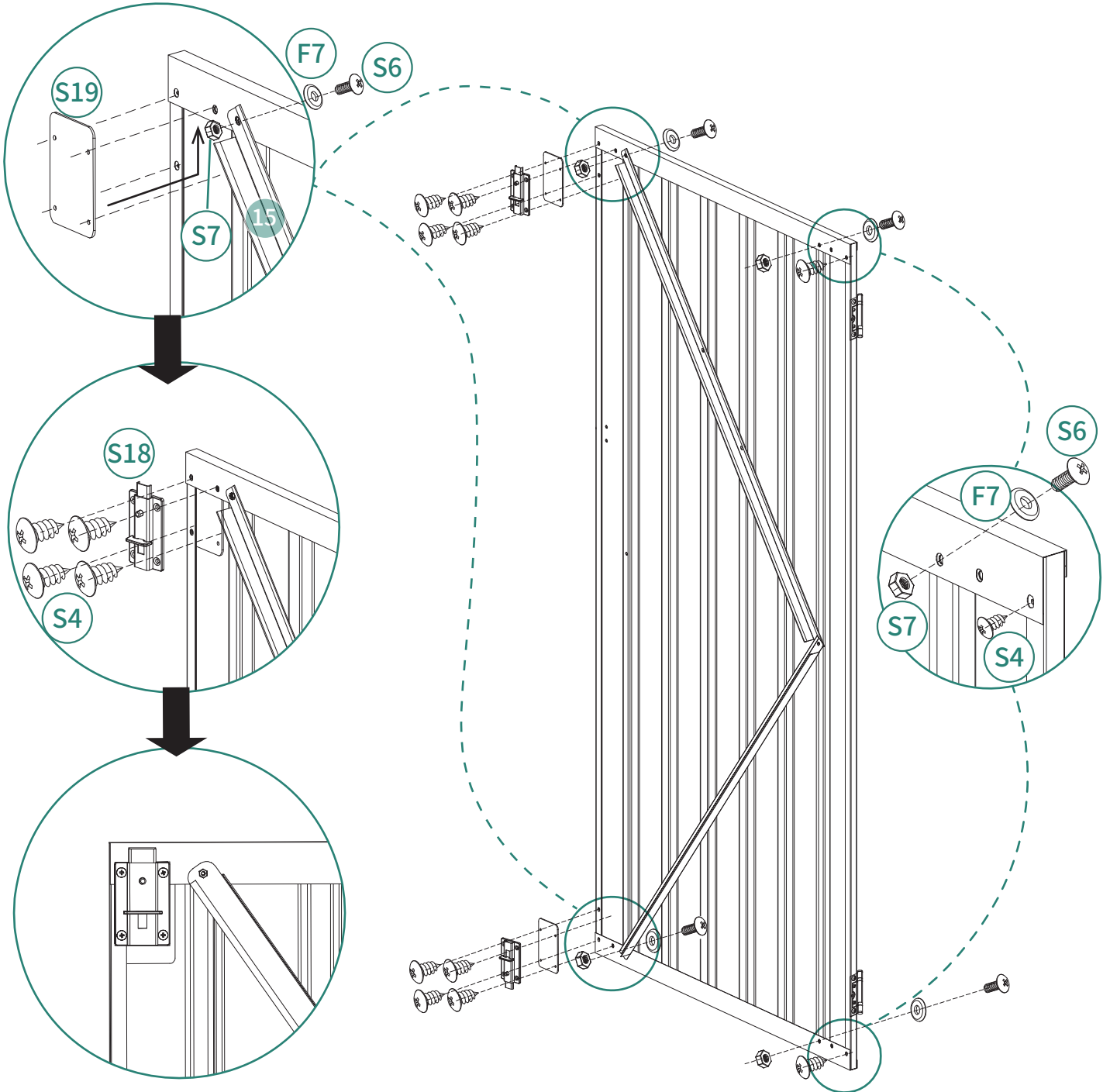
(F7) 8pcs



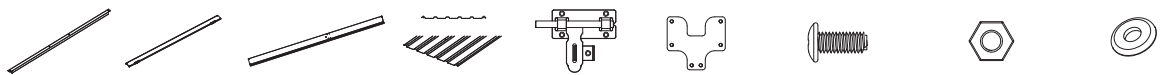
# 31

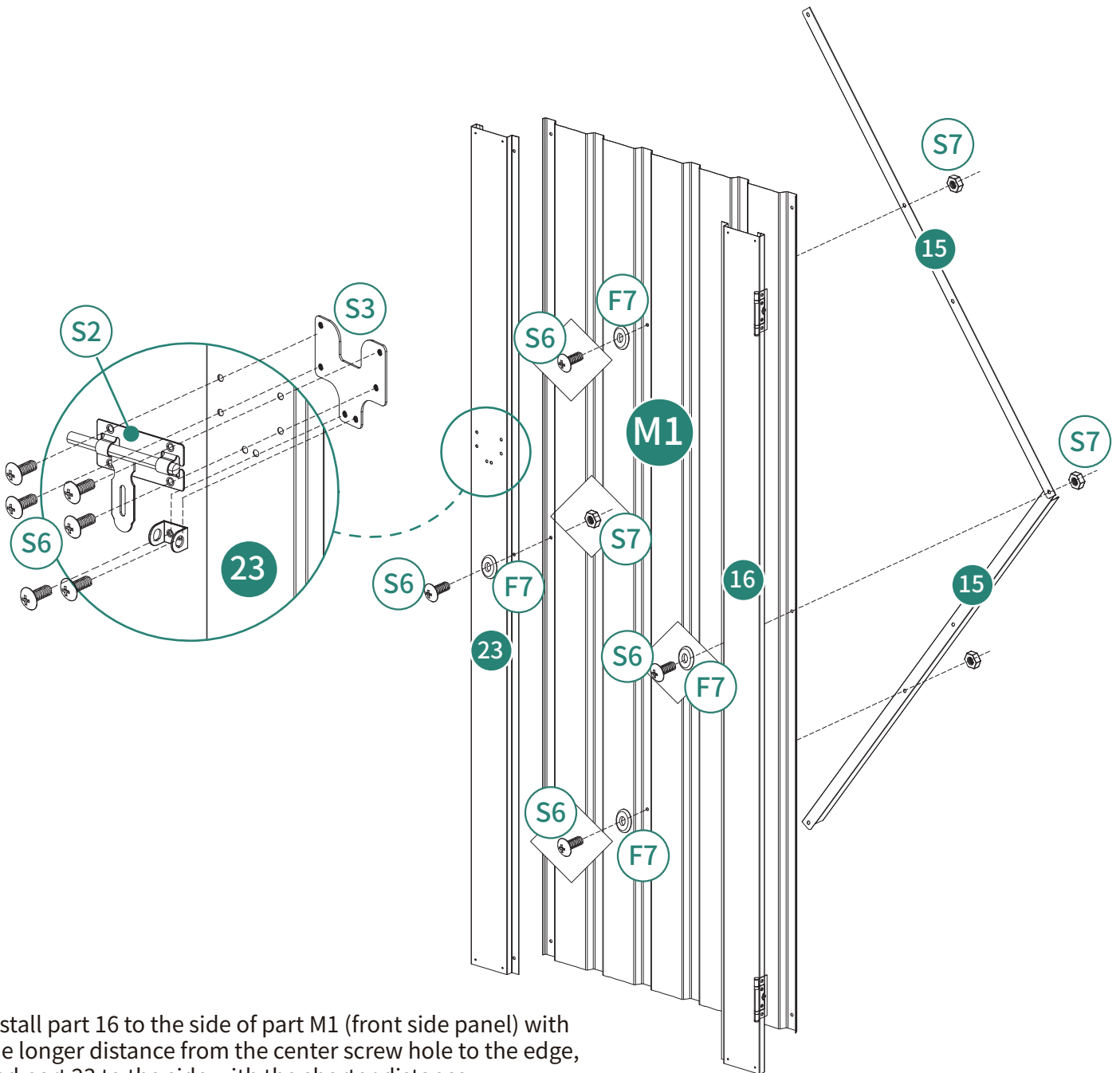


(S4) 10pcs (S6) 4pcs (S7) 4pcs (S18) 2pcs (S19) 2pcs (F7) 4pcs



# 32

- 
- ⑮ 2pcs
  - ⑯ 1pc
  - ⑳ 1pc
  - Ⓜ1 1pc
  - Ⓢ2 1pc
  - Ⓢ3 1pc
  - Ⓢ6 10pcs
  - Ⓢ7 4pcs
  - ⓕ7 4pcs



Install part 16 to the side of part M1 (front side panel) with the longer distance from the center screw hole to the edge, and part 23 to the side with the shorter distance.

# 33



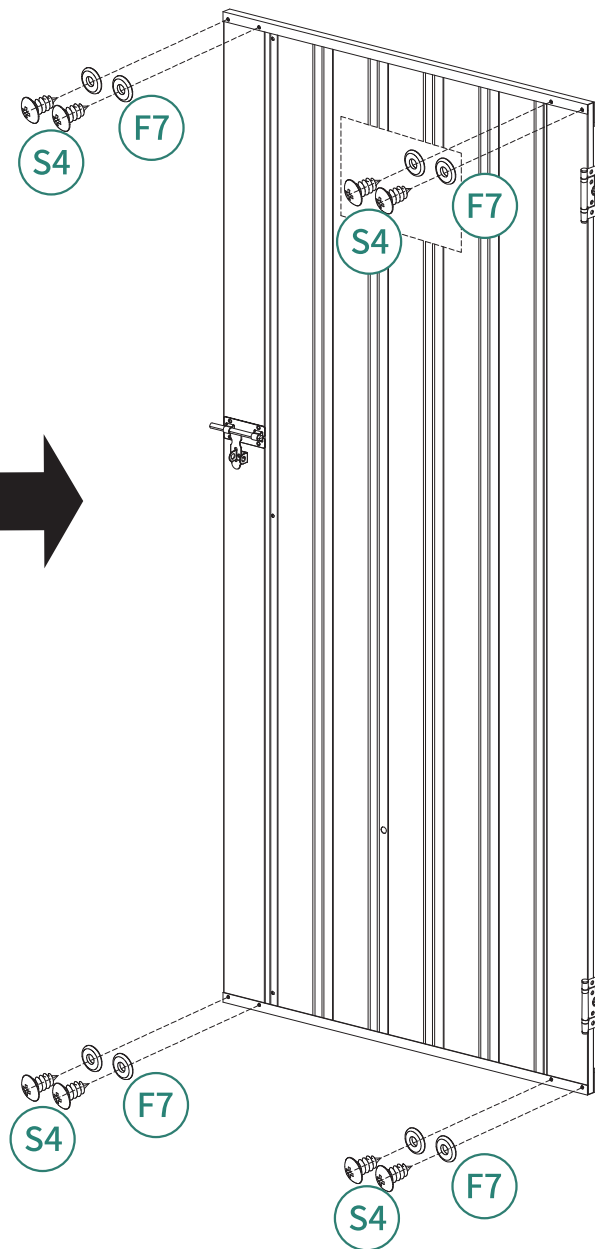
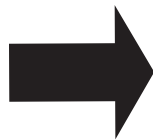
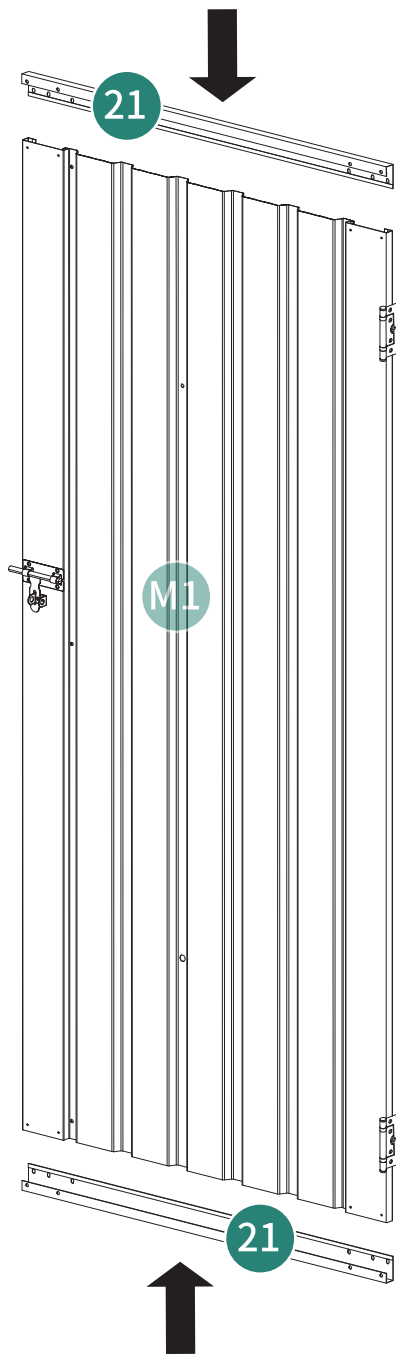
②1 2pcs



③4 8pcs



④7 8pcs



34

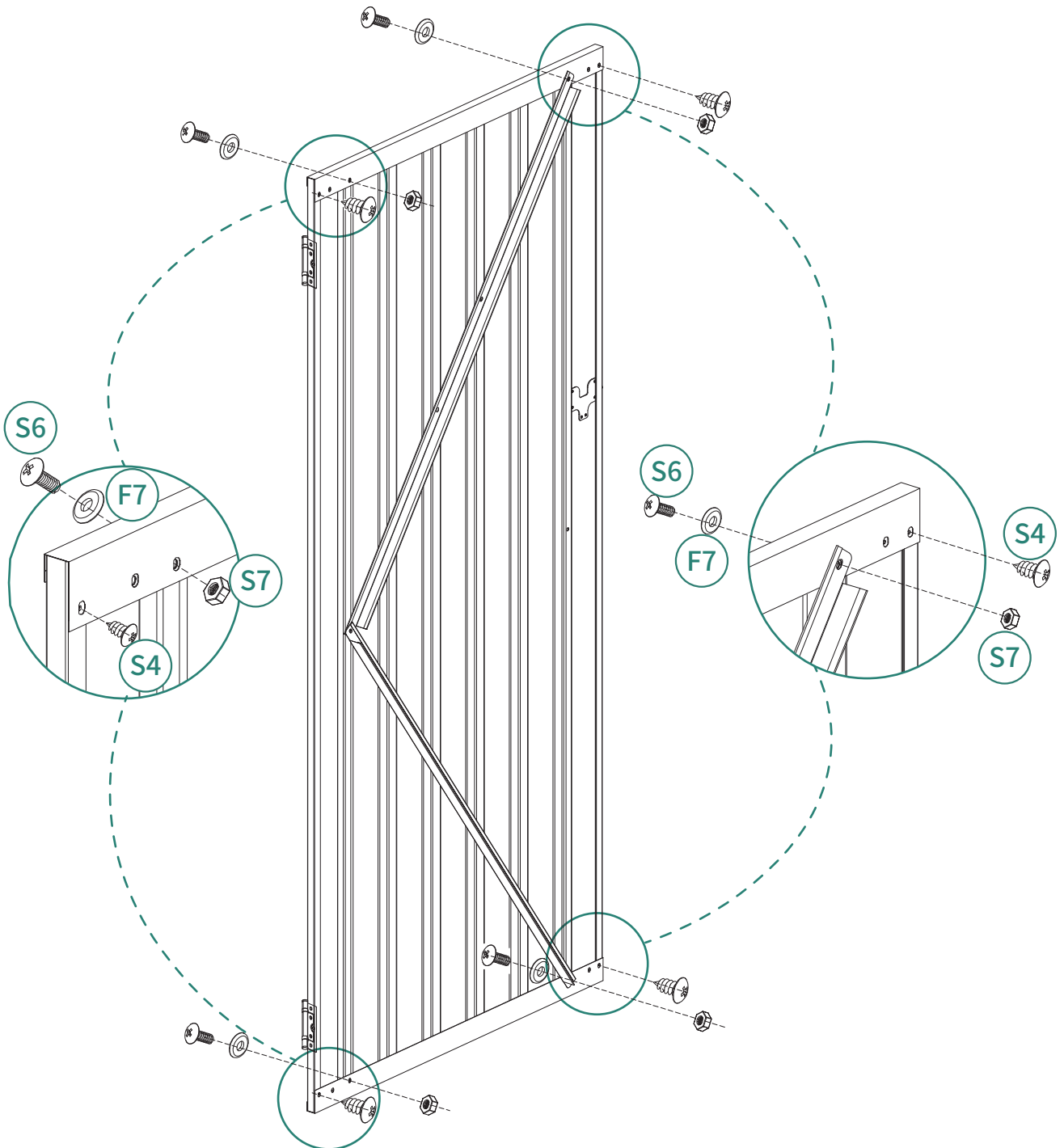


S4 4pcs

S6 4pcs

S7 4pcs

F7 4pcs



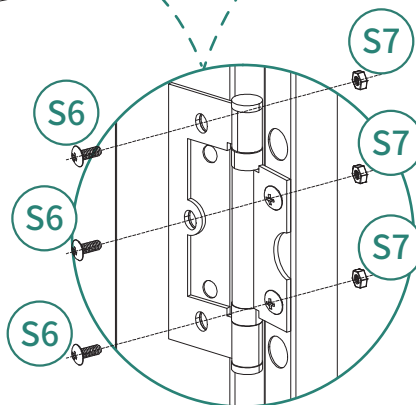
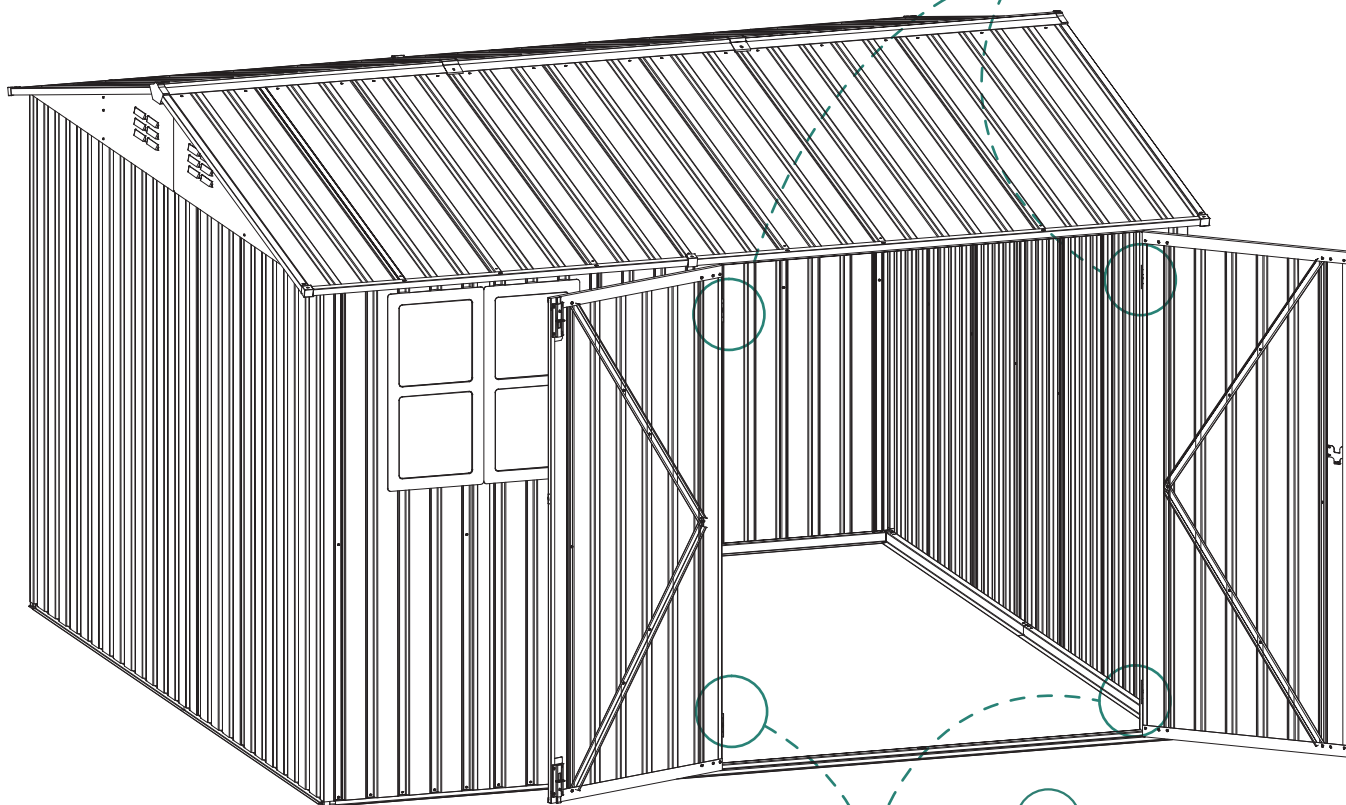
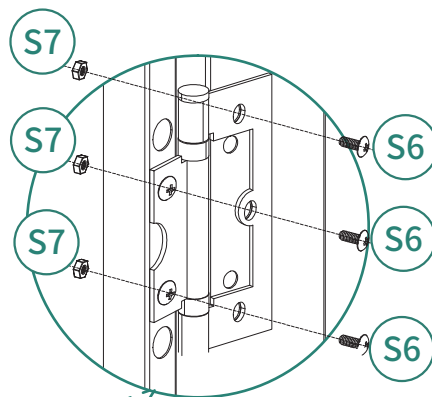
35



S6 12pcs



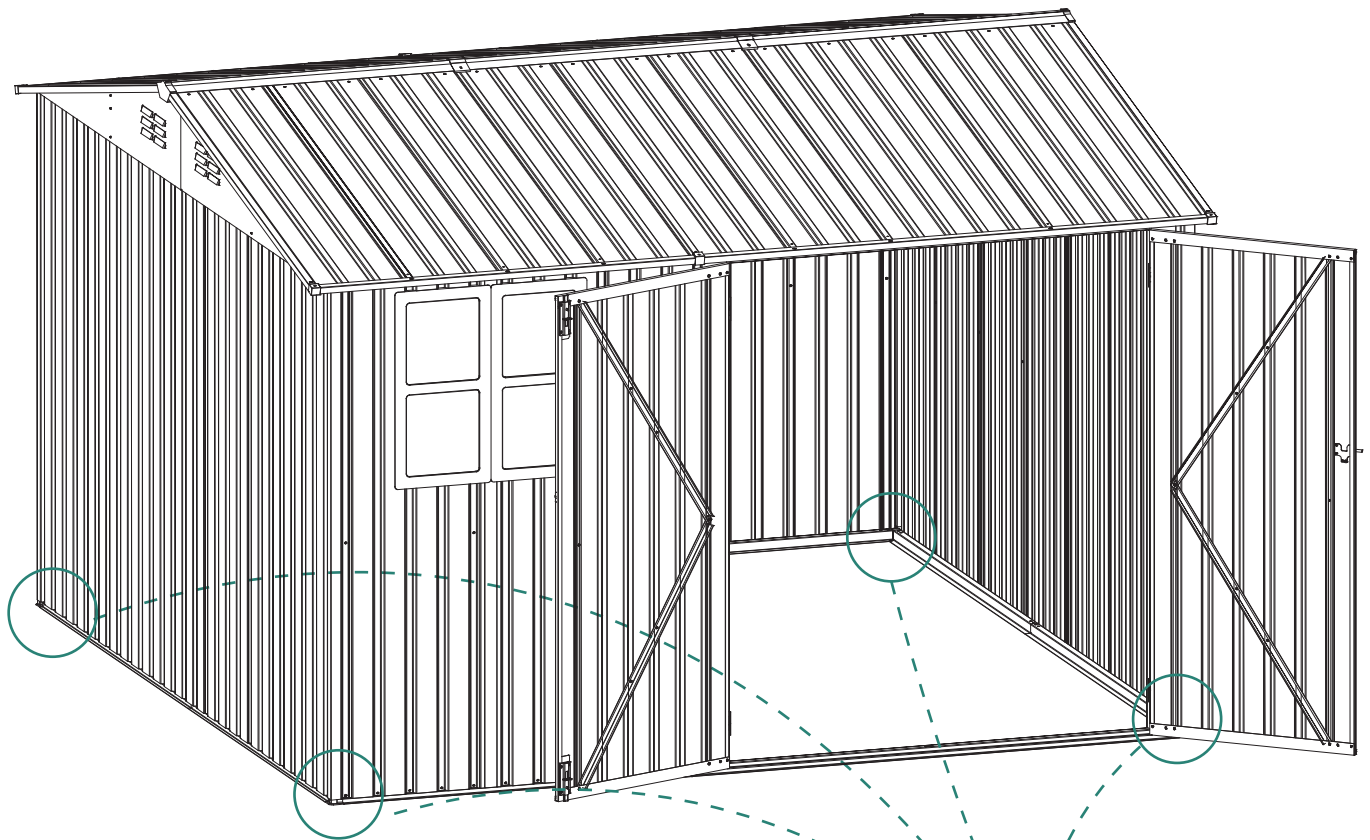
S7 12pcs



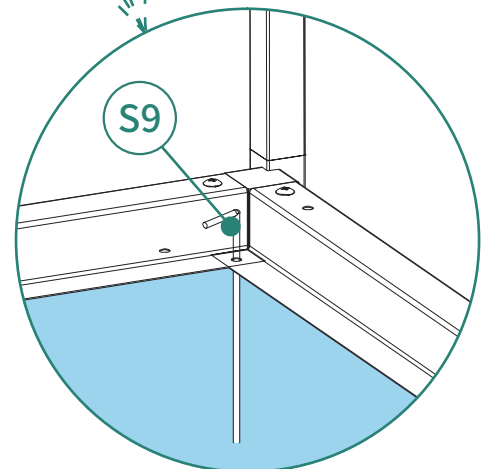
# 36



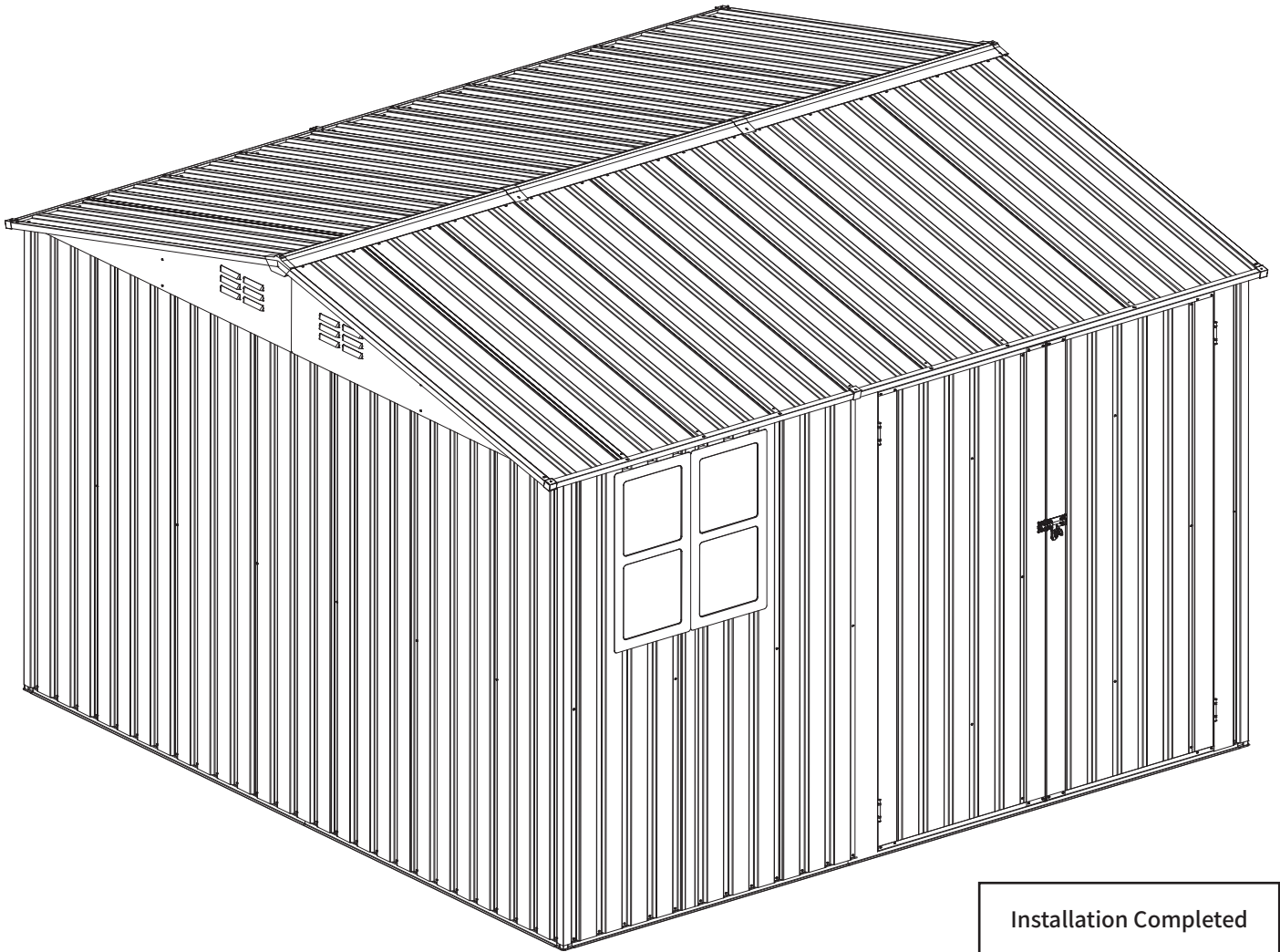
(S9) 4pcs



To improve the wind resistance, please be sure to complete this installation step. If expansion bolts or ground stakes are not installed, strong winds may cause the tool shed to collapse. Expansion bolts are crucial for the stability on concrete surfaces, and ground stakes are used for grassy areas. The accessory package includes the ground stake components, but the expansion bolts are not included.



37



Installation Completed

Installation Abgeschlossen

Installation Complétée

Installazione Completata

Instalación Completada

# HELP CENTER



Inquiry



Assembly issue



Missing parts

If you encounter any difficulties during assembly, please contact us.

Wenn Sie während der Montage auf Schwierigkeiten stoßen, kontaktieren Sie uns bitte.

Si vous rencontrez des difficultés lors du montage, veuillez nous contacter.

Se incontri difficoltà durante il montaggio, ti preghiamo di contattarci.

Si encuentras alguna dificultad durante el ensamblaje, por favor contáctanos.

# DISCLAIMER

Manufacturer and seller expressly disclaim any and all liability for personal injury, property damage or loss, whether direct, indirect, or incidental, resulting from the incorrect attachment, improper use, inadequate maintenance, unapproved modification, or neglect of this product.

Der Hersteller und Verkäufer lehnen ausdrücklich jegliche Haftung für Personenschäden, Sachschäden oder Verluste ab, egal ob direkt, indirekt oder zufällig, die durch falsche Anbringung, unsachgemäßen Gebrauch, unzureichende Wartung, nicht genehmigte Änderungen oder Vernachlässigung dieses Produkts entstehen.

El fabricante y vendedor renuncian expresamente a toda responsabilidad por lesiones personales, daños materiales o pérdidas, ya sean directos, indirectos o incidentales, derivados de la incorrecta colocación, uso inadecuado, mantenimiento insuficiente, modificación no aprobada o negligencia de este producto.

Il produttore e il venditore declinano espressamente ogni responsabilità per lesioni personali, danni materiali o perdite, dirette, indirette o incidentali, derivanti dall'errato fissaggio, uso improprio, manutenzione inadeguata, modifica non autorizzata o negligenza di questo prodotto. Le fabricant et le vendeur déclinent expressément toute responsabilité en cas de blessures corporelles, de dommages matériels ou de pertes, qu'ils soient directs, indirects ou accessoires, résultant de la fixation incorrecte, de l'utilisation inappropriée, de l'entretien insuffisant, de la modification non approuvée ou de la négligence de ce produit.