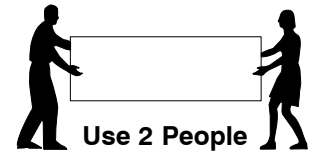
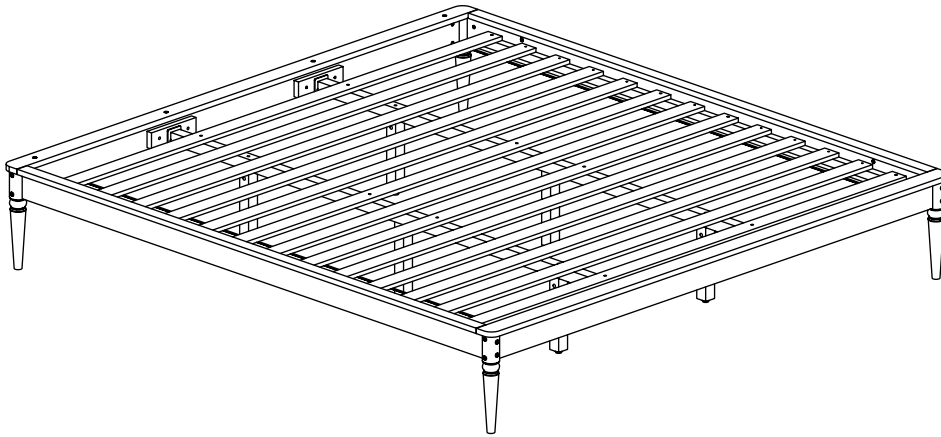


# King Bed

Assembly Instructions

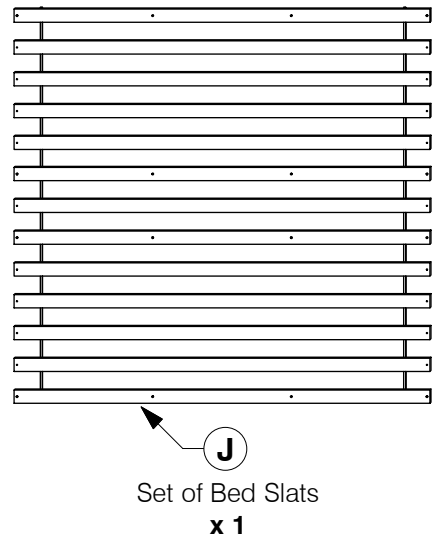
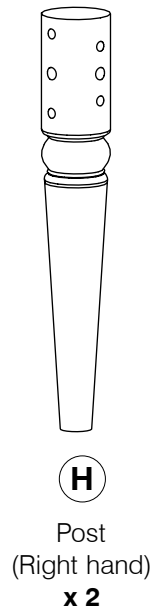
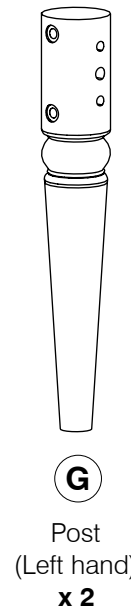
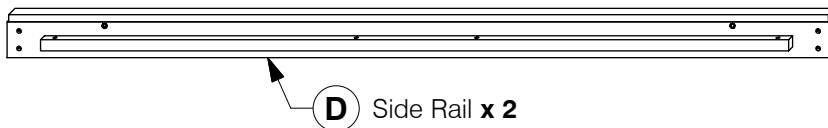
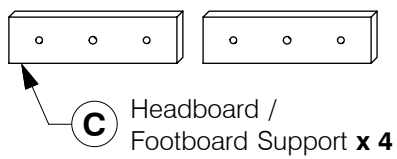
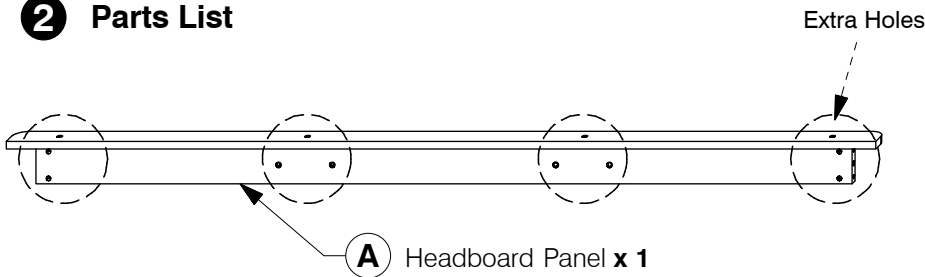
WI-1220

## 1 Assembled View



**Note:** Do not assemble using power tools. This can cause the bolts to be overtightened

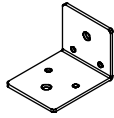
## 2 Parts List



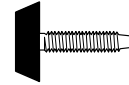
### 3 Hardware List



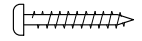
1 M4 Allen Key  
x 1



2 Center Rail  
Bracket x 4



3 Adjustable  
Foot x 6



4 Wood Screw  
(M4 x 32mm)  
x 18



5 Wood Dowel  
(10 x 40mm) x 8



6 Barrel  
Nut x 22



7 M6 x 15mm JCB  
x 8



8 M6 x 30mm JCB  
x 8

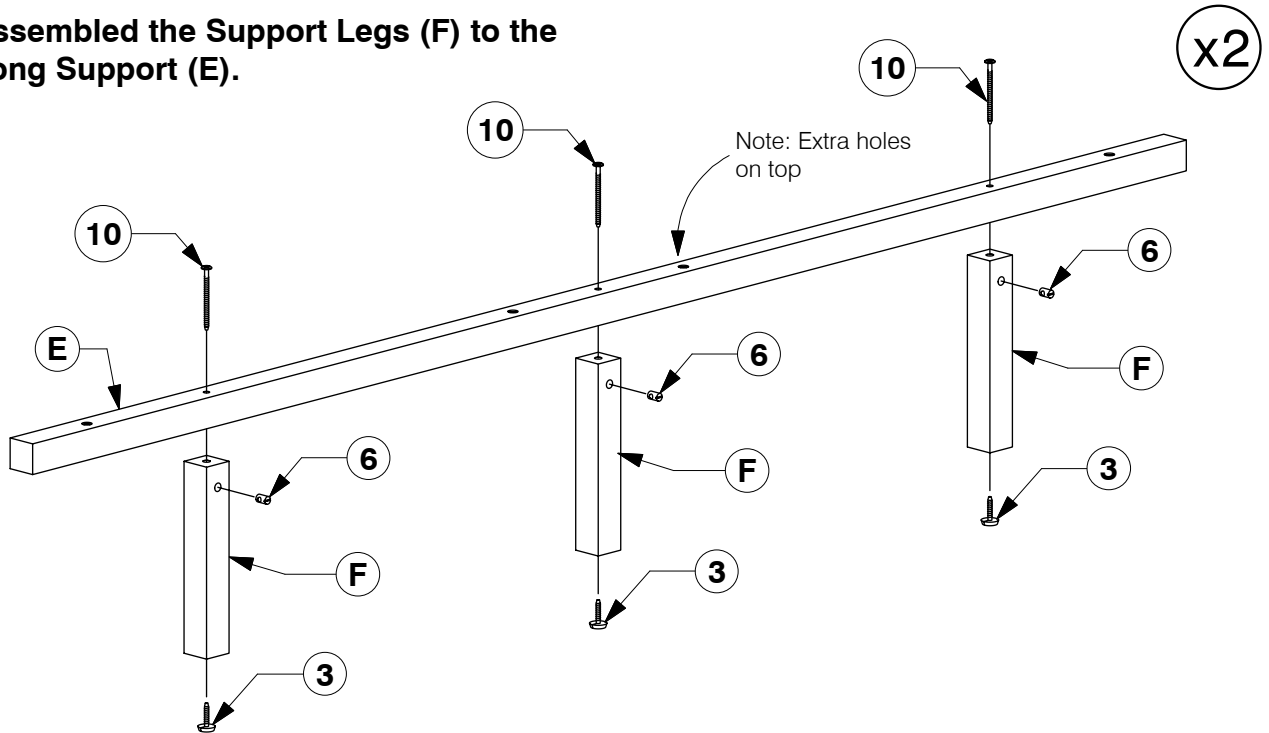


9 M6 x 40mm JCB  
x 16

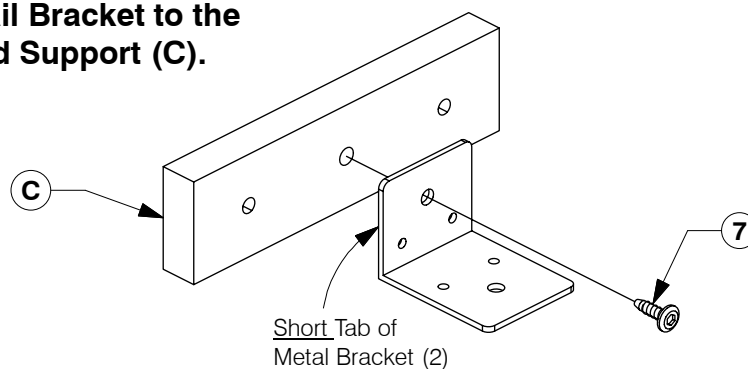


10 M6 x 90mm JCB  
x 22

### 4 Assembled the Support Legs (F) to the Long Support (E).



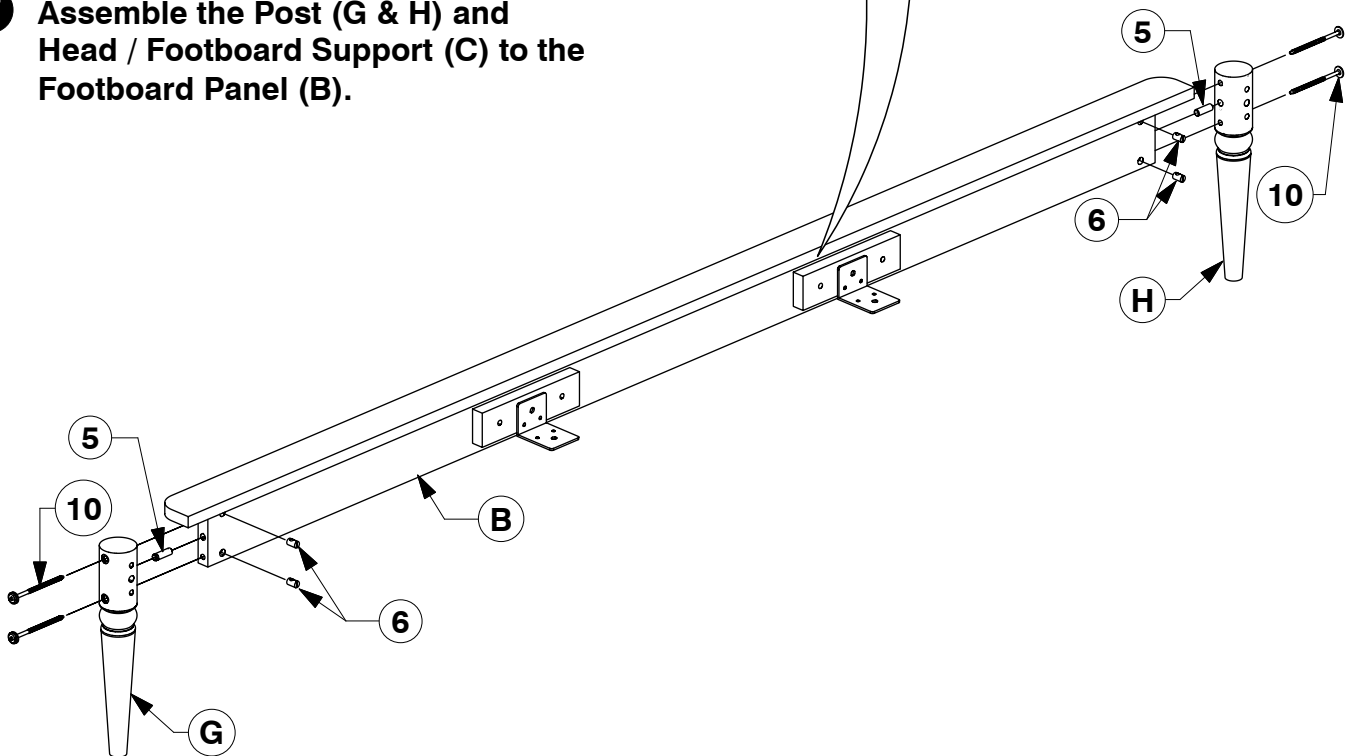
### 5 Fit the Center Rail Bracket to the Head / Footboard Support (C).



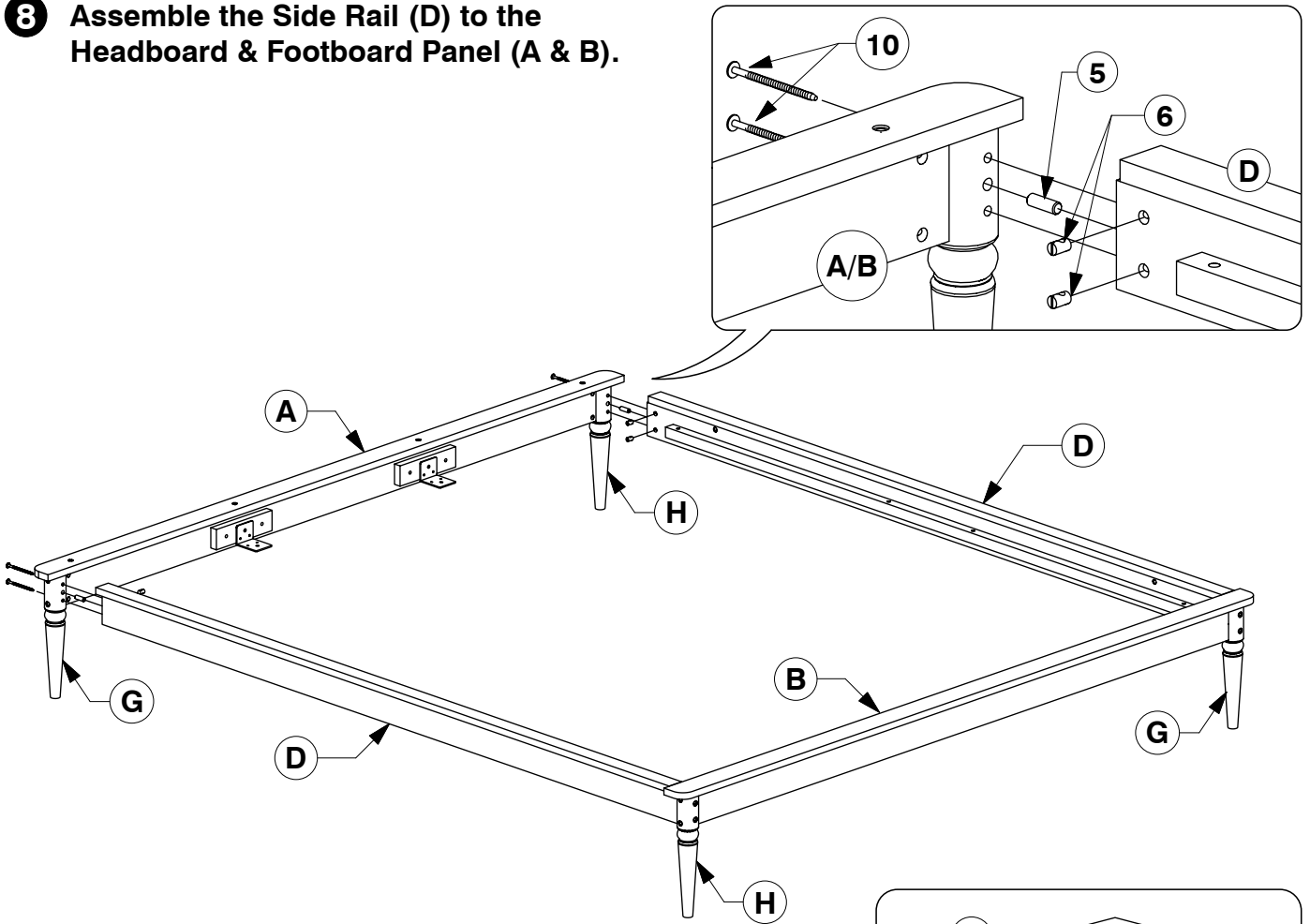
**6 Assemble the Post (G & H) and Head / Footboard Support (C) to the Headboard Panel (A).**



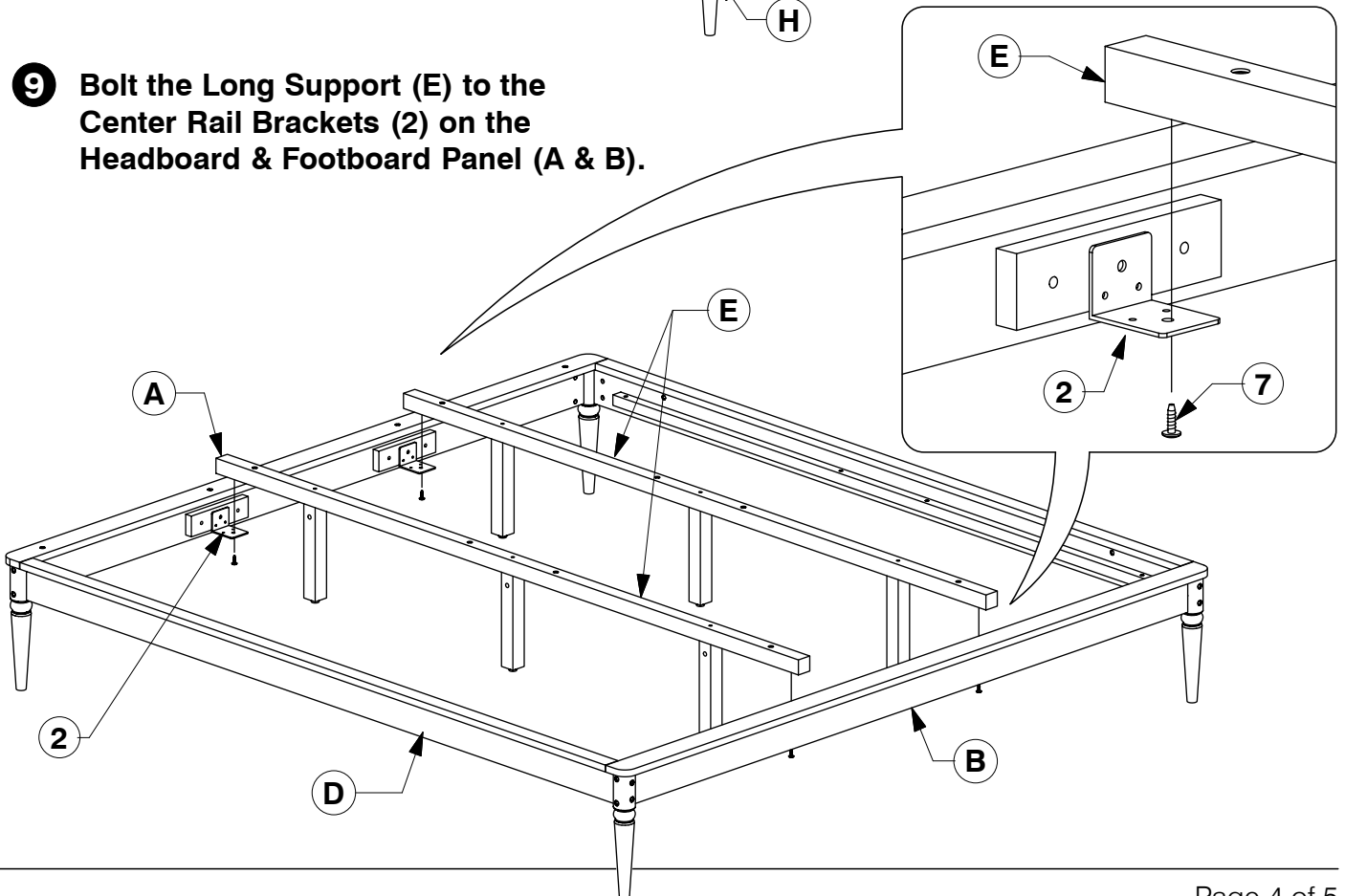
**7 Assemble the Post (G & H) and Head / Footboard Support (C) to the Footboard Panel (B).**



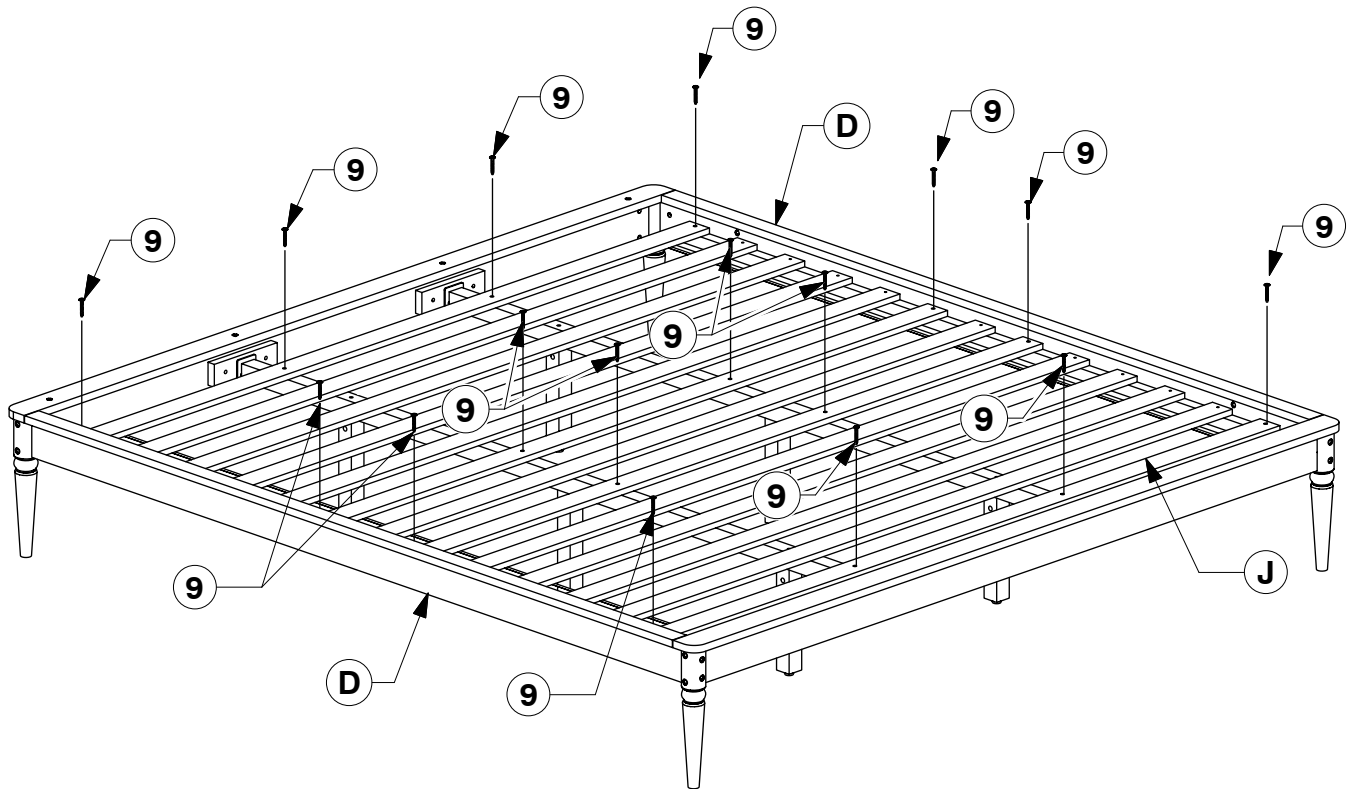
**8 Assemble the Side Rail (D) to the Headboard & Footboard Panel (A & B).**



**9 Bolt the Long Support (E) to the Center Rail Brackets (2) on the Headboard & Footboard Panel (A & B).**



**10 Bolt the Bed Slats (J) to the Side Rail (D).**



**11 Screw the Bed Slats (J) to the Side Rail (D).**

