

# Installation instructions

## NOTE





- Make sure POWER is completely off at the fuse box.
- Have you fixture installed by a qualified licensed electrician.
- Prepare everything in a clear area.
- Read instructions carefully before you start assembly.
- Wear gloves at all time during this installation.
- Keep this installation sheet for future reference.

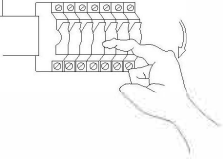
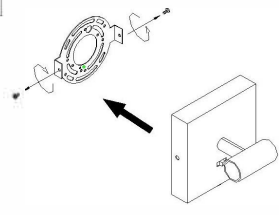
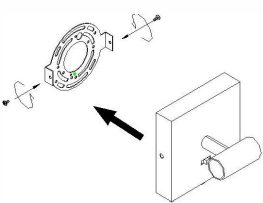
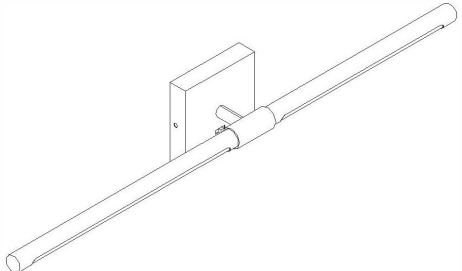
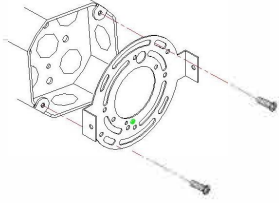
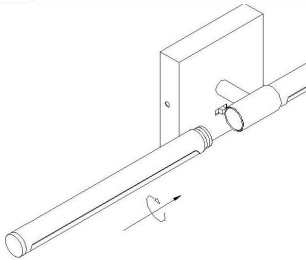
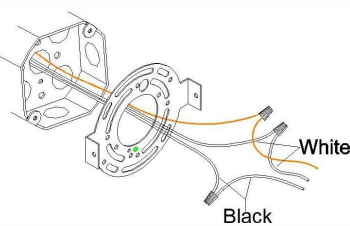
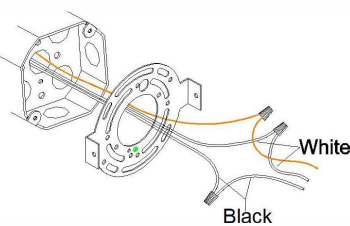
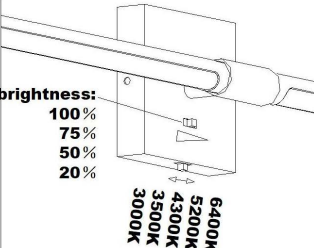
## PREPARATION

Before beginning assembly, installation or operation of product, make sure all parts are present. Compare parts with package contents list and diagram on previous page. If any part is missing or damaged, do not attempt to assemble, install or operate the product. Contact customer service for replacement parts.

## Warranty:

If your product is found to be faulty due to poor materials, workmanship, or functionality after inspection by us, we will determine the appropriate course of action. This may include replacement parts, a full machine replacement, or a full refund.

Accessory package		Wire Nut X3		Wall Mounting Screw X2		Gloves X1		Instruction Manual X1
-------------------	---	----------------	---	---------------------------	--	--------------	---	--------------------------

<p><b>1</b></p> 	<p><b>2</b></p> 	<p><b>5</b></p> 
	<p><b>3</b></p> 	<p><b>6</b></p> 
<p><b>4</b></p> 	<p><b>4</b></p> 	<p><b>7</b></p>  <p>brightness: 100% 75% 50% 20%</p> <p>6400K 5200K 4300K 3500K 3000K</p>