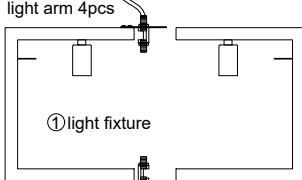

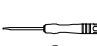
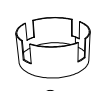


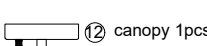






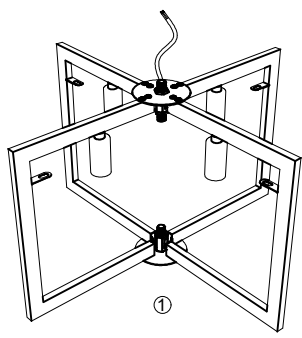
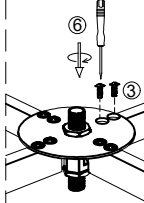
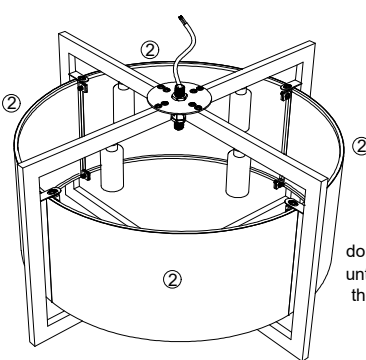


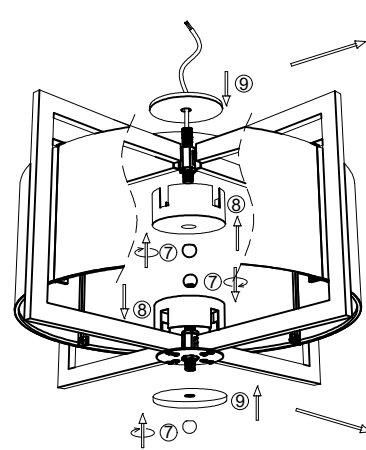
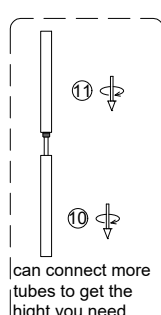
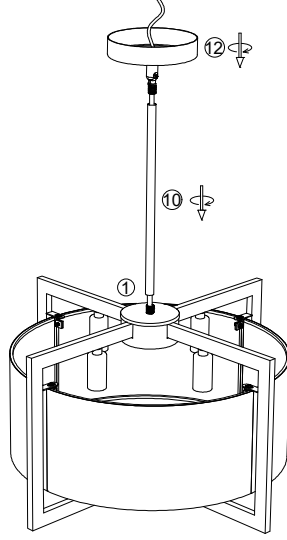
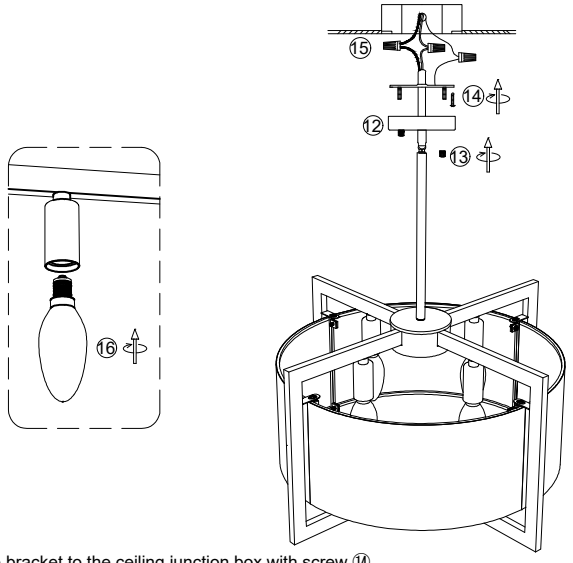


Installation & Assembly

<p>light arm 4pcs</p>  <p>① light fixture</p> <p>end cap 3pcs</p>  <p>⑦</p> <p>wrench 1pcs</p>  <p>⑥</p> <p>cover box 2pcs</p>  <p>⑧</p> <p>cover plate 2pcs</p>  <p>⑨</p> <p>split fabric lampshade 4pcs</p>  <p>②</p> <p>canopy 1pcs</p>  <p>⑫</p> <p>cap nut 2pcs</p>  <p>⑬</p> <p>long screw 16pcs</p>  <p>③</p> <p>white screw 8pcs</p>  <p>④</p> <p>short screw 4pcs</p>  <p>⑤</p> <p>hanging tube 1pcs</p>  <p>⑩</p> <p>hanging tube 3pcs</p>  <p>⑪</p>	 <p>①</p> <p>③ long screw</p>  <p>put the screws ③ to the hole but not tighten at this step.</p> <p>1. Adjust the light arm 90 degree to each other, put the long screw ③ to the hole up and down of the fixture with wrench ⑥, don't tighten the screws at this step.</p>
 <p>②</p> <p>④ white screw</p>  <p>②</p> <p>how to combine the split lampshade to a completed fabric lampshade.</p> <p>don't tighten the screws until all the screws ⑤ in the holes.</p> <p>⑤ short screw</p>  <p>①</p> <p>②</p> <p>how to install the lampshade to the fixture.</p> <p>2. Put the split fabric lampshade in the fixture, combine to a completed lampshade with white screw ④. (don't tighten the screws until all the screws ④ in the holes, rotate to fix the screws ④ at last)</p> <p>3. Install the fabric lampshade to the fixture with screw ⑤. (don't tighten the screws until all the screws ⑤ in the holes, rotate to fix the screws ⑤ and screw ③ at last)</p>	 <p>⑧</p> <p>⑨</p> <p>⑦</p> <p>⑧</p> <p>⑨</p> <p>⑦</p> <p>4. Close the cover box ⑧ and plate ⑨ to the fixture up and down with end cap ⑦. (please pay attention that all wires should inside the box ⑧ before close the cover)</p>
 <p>⑩</p> <p>⑪</p> <p>can connect more tubes to get the height you need</p>  <p>⑫</p> <p>⑩</p> <p>⑪</p> <p>5. Let the wire go through the tube ⑩ and tube ⑪ and canopy ⑫, rotate to install all parts to the fixture. (can connect more tubes to get the height you need.)</p>	 <p>⑬</p> <p>⑫</p> <p>⑭</p> <p>⑮</p> <p>⑯</p> <p>16</p> <p>6. Install the bracket to the ceiling junction box with screw ⑭.</p> <p>7. Connect the wires to your home line with cap connector ⑮.</p> <p>8. Install the fixture to the bracket with cap nut ⑬.</p> <p>9. Install the bulb ⑯.</p>

Please read carefully before installation!!!

Note : Please make sure that the electricity is powered off during installation !

Only a professional electrician should install this kind of product !