

Set of 2 Gold Touch Lamps with Black Cotton Shades



LIGHT SOURCE DATA

- 2 x 60W Max E14 SES (required)
- Lamp direction - Indirect
- Lamp shape - Standard
- Non-dimmable
- Energy range: A++, A+, A, B, C, D, E

DIMENSION DATA

- Height 487mm
- Diameter 250mm

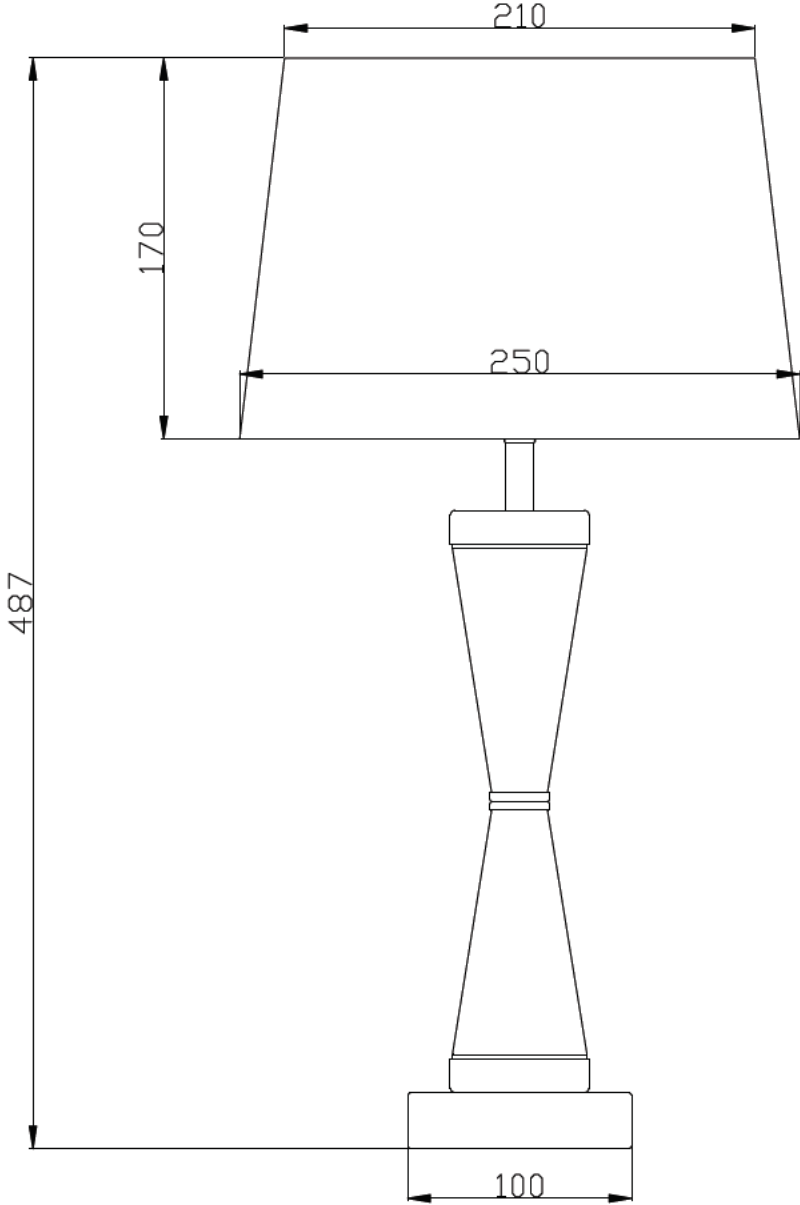
- Weight .86kg

SPECIFICATION

- Manufacturer warranty for 2 years from date of purchase
- Polished gold plate with clear glass detail and black cotton
- IP20
- Touch On/Off Switch
- Class II - Double Insulated, No Earth
- 240V
- Assembly required? No
- CE Marking, Energy Efficient, Energy Saving

CERTIFICATION





CERTIFICATION

