

# IMPORTANT SAFETY INSTRUCTIONS

1. Please carefully read these instructions before installation and retain for your future reference.
2. Professional electrician is needed for installation.

## DANGER: To reduce the risk of electrical shock

1. For safety reasons, please turn off the power before installation.
2. Always disconnect this furnishing from supply main before cleaning or servicing.

## WARNING - To reduce the risk of burns, fire, electrical shock or injury to persons

1. We recommend that the surface fuse is withdrawn to prevent accidental switching on while work is in progress.
2. Close supervision is necessary when the mirror light is used by or near children, invalids or disabled.
3. Use mirror light only for its intended use as described in these instructions. Do not use attachments not recommended by the manufacturer.
4. Never operate the mirror light if its wire is damaged. If it is not working properly, or if it has been dropped or damaged or dropped into water. Return the furnishing to a service center for examination or repair.
5. Keep the wire away from heated surfaces.
6. Never drop or insert any object into any opening.
7. This product contains glass parts. Care must be taken when fitting or handling these parts to prevent personal injury or damage to the products.
8. Ensure the mounting surface is dry and strong enough to allow for the safe fitting of this fixture.
9. Ensure that current building regulations are adhered to at all times should an additional electrical supply be required.
10. Care must be taken before drilling fixing holes to avoid any existing wiring or paperwork that may be concealed;
11. For household/residential use only. Do not use outdoors.
12. This luminaire must be mounted or supported independently of an outlet box. Suitable for damp locations.
13. Mounting furnishings at the correct height. (1.5m Max. from the ground)

## INSTALLATION WARNING:

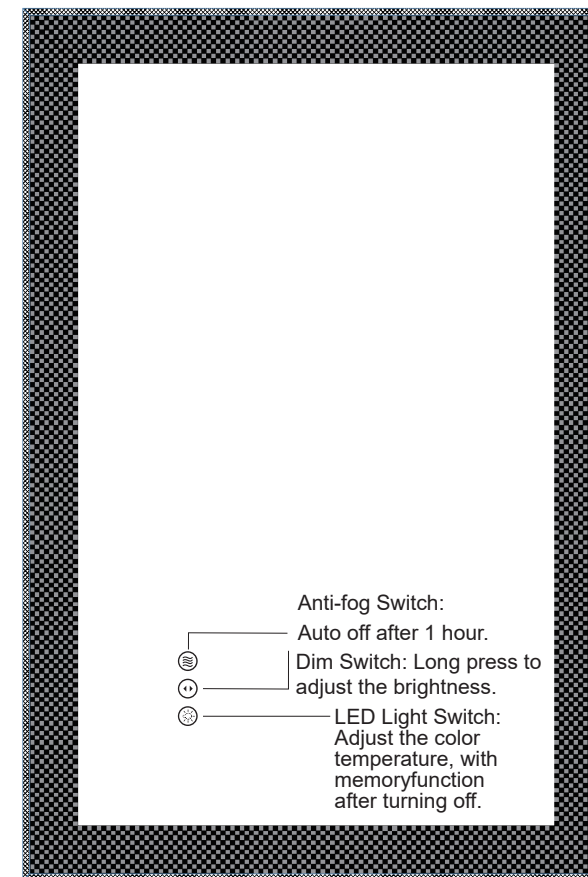
- 1) Risk of Electric Shock-Connect this furnishing to a properly grounded outlet only.
- 2) Grounding Instructions: This product must be connected to a grounded metal, permanent wiring system, or an equipment-grounding conductor must be run with the circuit conductors and connected to the equipment-grounding terminal or lead on the product.
- 3) Risk of fire: This product must be installed in accordance with the applicable installation code by a person familiar with construction and operation of the product and the hazards involved.

### Specification:

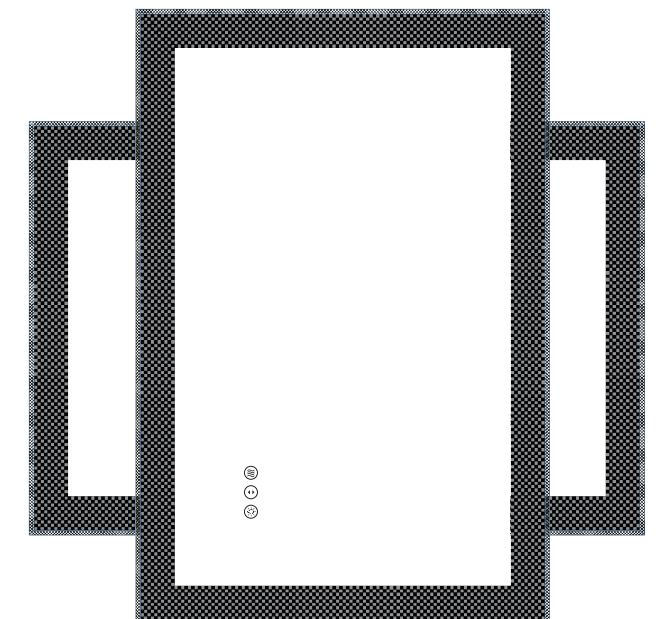
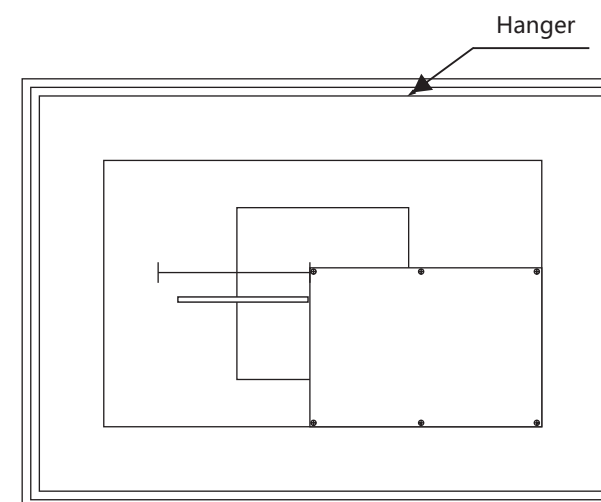
Size	Thickness	Touch Button	LED Strip Model	Color Temperature	Lumen	CRI	Power(W)	Input Voltage (V)	Weight(KG)
24"x32"	1.5"	3	2835 3 Colors	3000/4000/ 6000	5655	90	60	100-120	7.90
24"x36"	1.5"	3	2835 3 Colors	3000/4000/ 6000	6218	90	75	100-120	8.65
28"x36"	1.5"	3	2835 3 Colors	3000/4000/ 6000	6601	90	75	100-120	9.65
36"x36"	1.5"	3	2835 3 Colors	3000/4000/ 6000	7546	90	100	100-120	12.00
38"x38"	1.5"	3	2835 3 Colors	3000/4000/ 6000	8090	90	100	100-120	13.38
40"x24"	1.5"	3	2835 3 Colors	3000/4000/ 6000	6601	90	100	100-120	9.50
40"x30"	1.5"	3	2835 3 Colors	3000/4000/ 6000	7348	90	100	100-120	11.40
40"x32"	1.5"	3	2835 3 Colors	3000/4000/ 6000	7546	90	100	100-120	12.00
48"x32"	1.5"	3	2835 3 Colors	3000/4000/ 6000	8492	90	100	100-120	13.95
48"x36"	1.5"	3	2835 3 Colors	3000/4000/ 6000	9097	90	100	100-120	15.70
48"x40"	1.5"	3	2835 3 Colors	3000/4000/ 6000	9895	90	100	100-120	16.73
55"x30"	1.5"	3	2835 3 Colors	3000/4000/ 6000	9447	90	100	100-120	14.75
55"x36"	1.5"	3	2835 3 Colors	3000/4000/ 6000	9097	90	100	100-120	17.42
60"x28"	1.5"	3	2835 3 Colors	3000/4000/ 6000	9296	90	100	100-120	14.90
60"x30"	1.5"	3	2835 3 Colors	3000/4000/ 6000	9711	90	100	100-120	16.25
60"x36"	1.5"	3	2835 3 Colors	3000/4000/ 6000	10383	90	150	100-120	18.60

60"x40"	1.5"	3	2835 3 Colors	3000/4000/ 6000	10856	90	150	100-120	20.31
72"x36"	1.5"	3	2835 3 Colors	3000/4000/ 6000	11933	90	150	100-120	22.45
77"x36"	1.5"	3	2835 3 Colors	3000/4000/ 6000	12510	90	150	100-120	23.59
84"x32"	1.5"	3	2835 3 Colors	3000/4000/ 6000	13034	90	150	100-120	23.25

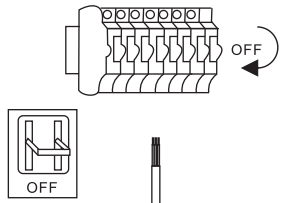
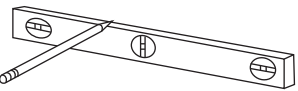
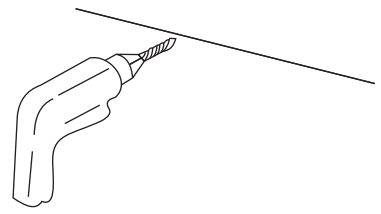
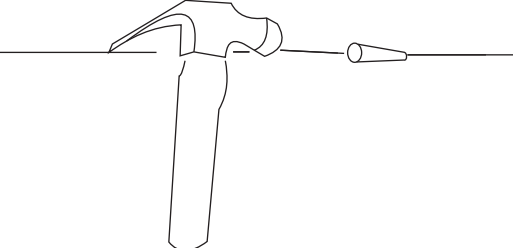
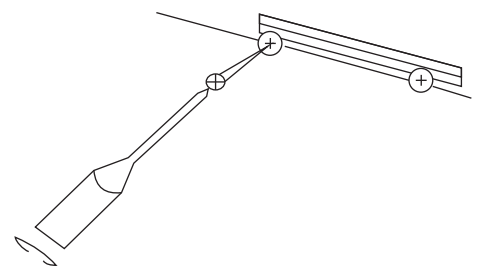
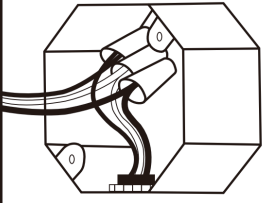
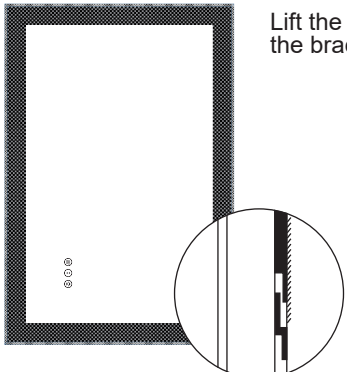
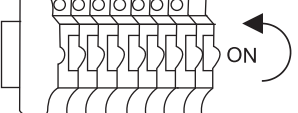
## Installation



1.5"



# LED Bathroom Mirror User Manual

<p><b>Step 1</b></p>  <p>Turn off the power before installation.</p>	<p><b>Step 2</b></p>  <p>Measure the distance between the two ends, this mirror can be hung horizontal or vertical. Using a pencil and a level, mark the desired position on the wall.</p>
<p><b>Step 3</b></p>  <p>Drill the holes for nails and screws.</p>	<p><b>Step 4</b></p>  <p>Insert the nails.</p>
<p><b>Step 5</b></p>  <p>Mounted the brackets on the wall and then tight the screws to ensure the bracket stay sturdy. (Leave a 2-3 mm gap between the screwhead and wall)</p>	<p><b>Step 6</b></p> <p>Connect the wires properly to their corresponding color.</p>  <p>White(neutral) supply wire to the white(or ribbed) mirror wire          Black (live) supply wire to the black(or smooth) mirror wire          Green or bare copper supply wire to the green or bare copper mirror wire.</p>
<p><b>Step 7</b></p>  <p>Lift the mirror above the brackets.</p>	<p><b>Step 8</b></p>  <p>Turn on the power.</p>



## Maintenance

1. Do not touch the mirror with wet hands, and do not wipe the mirror with wet cloth to avoid increasing moisture intrusion.
2. It is recommended to wipe the mirror with a soft cloth or gauze.
3. Do not use any chemicals or misuse cleaning agents.