

Prestige - Single Handle Bathroom Faucet



- * Single Hole or 3 Hole Installation
- * Includes Brass Pop-up Drain
- * 4-1/4" High and 5-1/8" Long One Piece Solid Cast Brass Spout, Zinc Handle, Stainless Steel Deck Plate
- * Copper Waterway Construction with 1/2" -14 NPSM Connection
- * Premium Grade Ceramic Cartridges (Type E)
- * Flow Rate: 1.2GPM @ 60PSI
- * 100% Pressure System Tested
- * Lifetime Limited Warranty; 5 year warranty from date of purchase for Commercial users.

Project / Job Name	
Architect / Engineer	
Contractor	
Model	
Quantity	

Model No. :



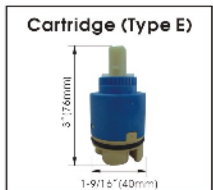
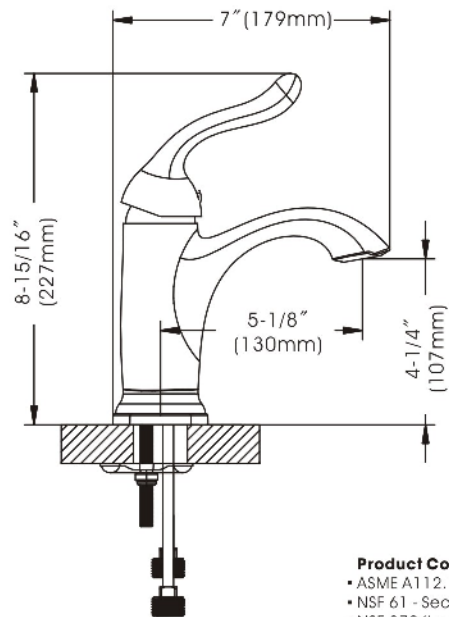
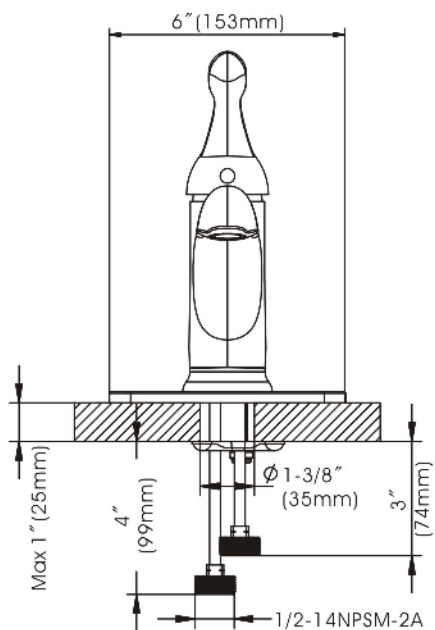
201-7706 (CH)
 (Shown Model)



201-7707 (BN *Spotless PVD*)

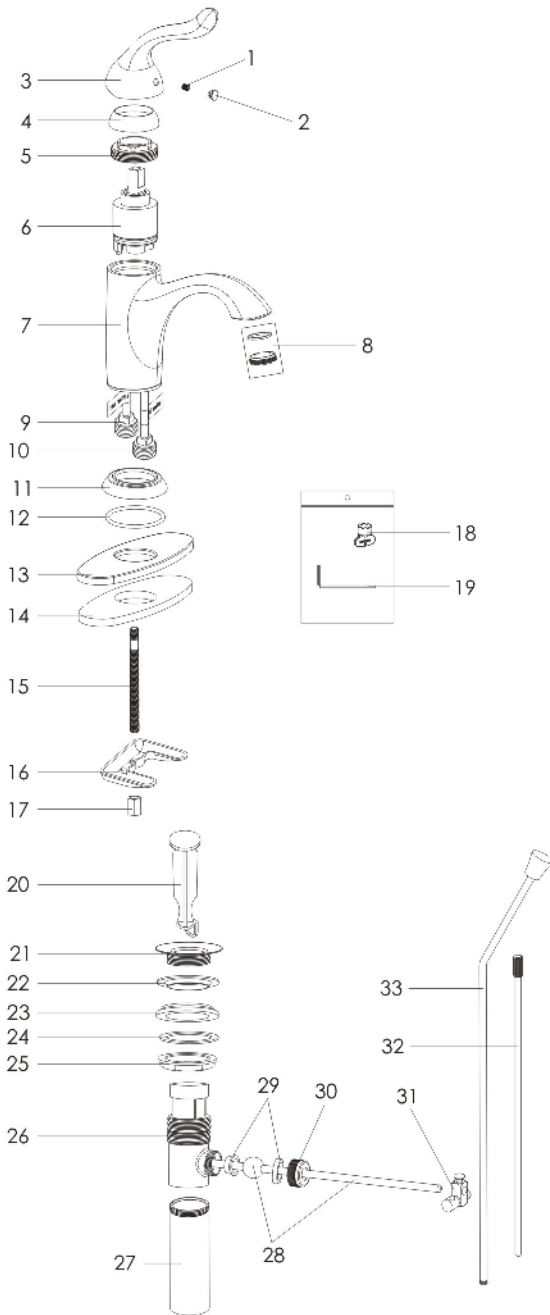


201-7708 (ORB)



- Product Compliance:**
- ASME A112.18.1 / CSA B125.1
 - NSF 61 - Section 9
 - NSF 372 (Low Lead Content)
 - ANSI A117.1 (ADA)
 - EPA - Water Sense

Prestige - Single Handle Bathroom Faucet



Model No. :

201-7706 (Polished Chrome)

201-7707 (Brushed Nickel *Spotless PVD*)

201-7708 (Oil-Rubbed Bronze)

No.	Part Name	Material
1	Index	Stainless Steel
2	Screw	Plastic
3	Handle	Zinc
4	Trim Cap	Plastic
5	Cartridge Lock Nut	Brass
6	Cartridge	Ceramic
7	Body	Brass
8	Aerator	Plastic
9	Copper Tube	Brass
10	Copper Tube	Brass
11	Hub Base	Zinc
12	O-Ring	Rubber
13	Deck Plate	Stainless Steel
14	Putty Plate	Sponge
15	Bolt	Stainless Steel
16	Clamp	Stainless Steel
17	Lock Nut	Brass
18	Aerator Wrench	Plastic
19	Allen Key	Steel
20	Drain Stopper	Plastic+Brass
21	Flange	Brass
22	Top Rubber Washer	Rubber
23	Bottom Rubber Washer	Rubber
24	Washer	Plastic
25	Lock Nut	Zinc
26	Drain Body	Brass
27	Tailpiece	Stainless Steel
28	Horizontal Rod	Plastic+Stainless Steel
29	Rod Ball Plastic Gasket	Plastic
30	Rod Guide Nut	Brass
31	Fittings	Brass
32	Extend Rod	Stainless Steel
33	Lift Rod	Brass

Cartridge (Type E)



Technical Support: warranty@cmiproduct.com
 Hour of Operation: Mon - Fri 8:30 a.m - 5:00 p.m. EST