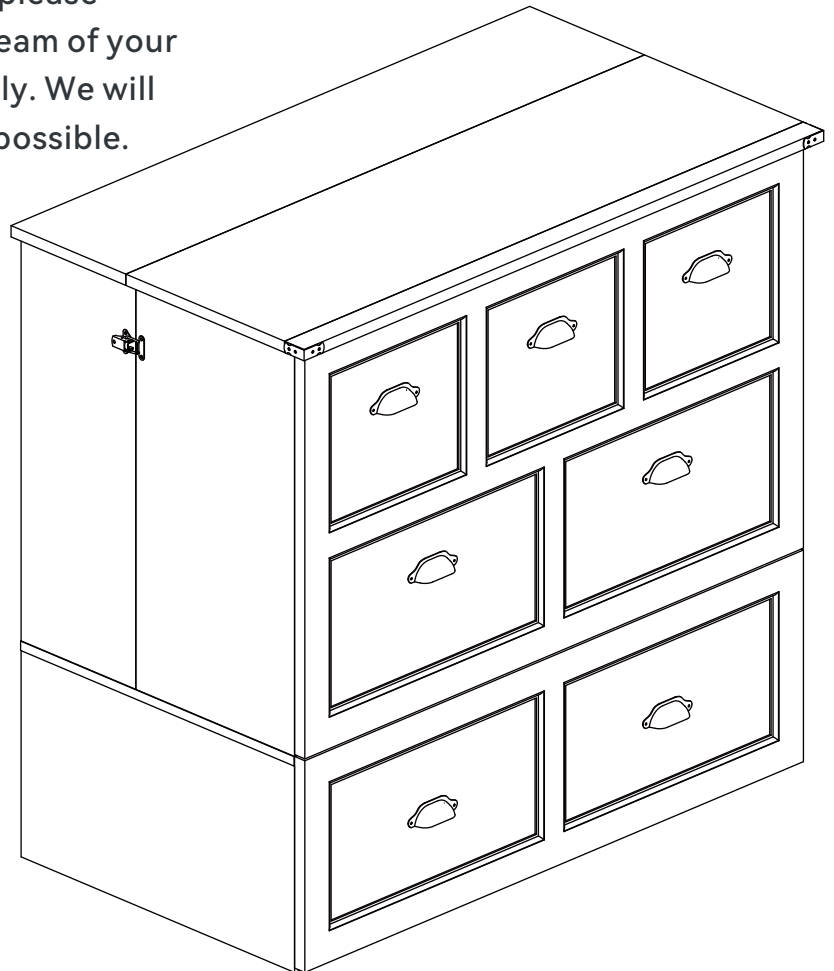


Murphy Bed

Assembly Instruction - Please keep properly for future reference.

If you find any missing boxes, damaged parts, or accessory shortages, please contact the customer service team of your purchasing channel immediately. We will resolve the issue as quickly as possible.



Dimensions

Width - 41.8 inch
Depth - 23.7 inch
Height - 40 inch

EN

THE FOLLOWING INFORMATION:

- Order number
- Purchase platform
- Purchase date
- Detailed description of the issue along with photos (if applicable)

Important - Please read these instructions carefully before starting the installation.



Safety and Care Advice

Important – Please read these instructions fully before starting assembly

- Check you have all the components and tools listed on the following pages.
- Remove all fittings from the plastic bags and separate them into their groups.
- Keep children and animals away from the work area, small parts could choke if swallowed.
- Make sure you have enough space to layout the parts before starting.

- During assembly do not stand or put weight on the product, this could cause damage.
- Assemble the item as close to its final position (in the same room) as possible.
- Assemble on a soft level surface to avoid damaging the unit or your floor.
- Parts of the assembly will be easier with 2 people.



- To reduce the likelihood of damaging your product please ensure that your power drill is set on a low torque setting.

Care and maintenance

- Only clean using a damp cloth and mild detergent, do not use bleach or abrasive cleaners.
- From time to time check that there are no loose screws on this unit.
- This product should not be discarded with household waste. Take to your local authority waste disposal centre.

Handy Hints

- Assemble all parts and bolts loosely during assembly, only once the product is complete should you fully tighten the bolts
- Regularly check and ensure That all bolts and fittings are tightened properly.

WARNING In order to help prevent overturning – please follow these instructions

To help prevent product toppling over please follow the below steps:

Use the anti tip strap or wall fixing method provided (if applicable)
Do not allow children to climb or hang on the furniture
Do not open more than one drawer at a time
Do not place heavy items in the top drawers
Do not place heavy items on top of the furniture, unless the furniture has been designed for this purpose

Please note that only the anti tip strap is provided.
You will need to provide wall plugs and screws applicable for your wall type



Safety Instructions / Warnings

Please read and follow all instructions carefully before installation and use.

- **WARNING: Risk of electric shock – Do not open or disassemble electrical parts.**
- **Use only the power cord specifically provided for this product. Plug rating: 125V~, 60Hz, 12A, 1500W. USB output: DC 5V, 2.1A Max.**
- Do not use with damaged power cords or plugs.
- Keep power cables away from moving or sharp parts of the furniture.
- Do not use extension cords or power strips unless specifically approved for the load.
- This product is **not a toy**. Do not allow children to play with electrical components or moving parts.
- Children under 8 years old must be kept away from the furniture unless continuously supervised.
- Keep remote controls, control switches, and ports **out of children's reach**.
- Always **disconnect the product from power** before cleaning, maintenance, or relocation.
- Do not attempt to open, modify, or repair electrical components.
- **Repairs must be performed by qualified professionals only.**
- Do not insert any foreign objects into openings or mechanisms.
- Clean with a dry cloth or a slightly damp soft cloth. Do not use solvents.
- This product is intended for **indoor use only** in dry environments.
- Do not expose the furniture to moisture, liquids, or direct sunlight.
- Ensure stability and clearance around any moving parts (e.g., lift mechanisms, recliners).
- Do not overload power outlets or USB ports beyond the specified ratings.

FCC Information

CAUTION: Changes or modifications not expressly approved by the party responsible for compliance could void the user's authority to operate the equipment!

This device complies with Part 15 of the FCC Rules. Operation is subject to the following two conditions:

1. This product may cause harmful interference.
2. This product must accept any interference received, including interference that may cause undesired operation.

WARNING: Changes or modifications to this product not expressly approved by the party responsible for compliance could void the user's authority to operate the product.

Note: This product has been tested and found to comply with the limits for a Class B digital device pursuant to Part 15 of the FCC Rules, These limits are designed to provide reasonable protection against harmful interference in a residential installation.

This product generates, uses and can radiate radio frequency energy, and if not installed and used in accordance with the instructions, may cause harmful interference to radio communications. However, there is no guarantee that interference will not occur in a particular installation. If this product does cause harmful interference to radio or television reception, which can be determined by turning the product off and on, the user is encouraged to try to correct the interference by one or more of the following measures.

- Reorient or relocate the receiving antenna.
- Increase the distance between the product and receiver.
- Connect the product to an outlet on a circuit different from that to which the receiver is connected.
- Consult the dealer or an experienced radio/TV technician for assistance.

CUSTOMER SERVICE GUIDE

Thank you for choosing our product! We are committed to providing you with excellent service. If you find any missing parts, damaged packaging, or product damage after receiving all packages, please follow the steps below to quickly contact our customer service team. We will do our best to resolve your issue.

1. Missing Parts

Verify Parts:

1. Refer to the “Parts List” in the manual to verify the name, specifications, and quantity of the missing parts.
2. Take a clear photo of the parts list and mark the missing parts with detailed information, e.g., “Missing 5 pieces of M6x30mm screws.”

Contact Us:

- A description of the missing parts and a photo of the parts list.
- Order details (order number, purchase platform, purchase date).

2. Product or Packaging Damage

If it affects normal use:

Steps:

Take clear photos or videos showing the damaged parts and the extent of the damage (multi-angle shots are recommended).

Resolution:

After verification, we will arrange for a replacement part, product exchange, or refund as quickly as possible.

If it does not affect normal use:

Steps:

Provide a description of the damage and include relevant photos or videos.

Resolution:

We will provide repair guidance or an appropriate compensation plan based on the specific situation.

Helpful Tips

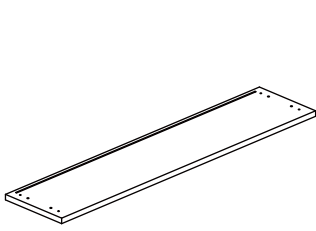
To process your issue efficiently, please prepare the following information:

- Order details (order number, purchase platform, purchase date).
- Clear photos or videos.
- We are committed to providing quick and professional solutions, no matter the size of the issue, to ensure your satisfaction.

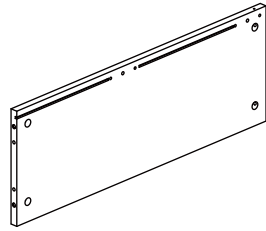
Thank you for your trust and support! We hope you enjoy using our product!

Parts List-Panels

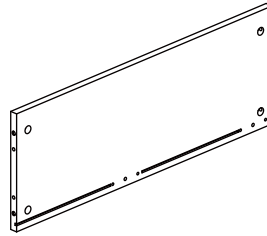
Please check you have all the panels listed



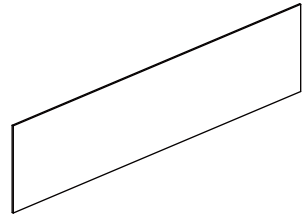
1 (1062*235*18mm x1)



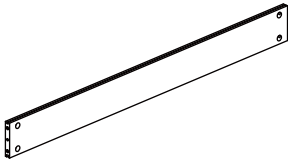
2 (652*235*15mm x1)



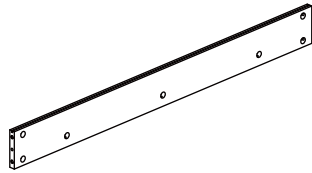
3 (652*235*15mm x1)



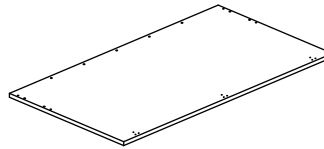
4 (997*236*4mm x2)



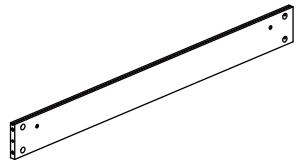
5 (991*97*15mm x1)



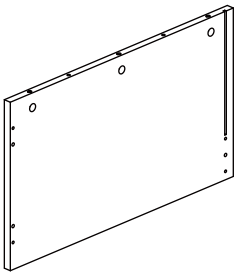
6 (991*97*15mm x1)



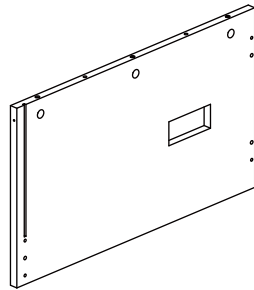
7 (1023*560*15mm x1)



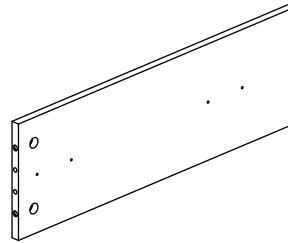
8 (997*97*15mm x1)



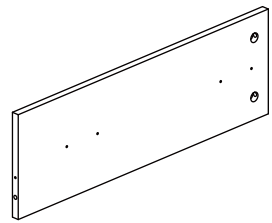
9 (560*330*12mm x1)



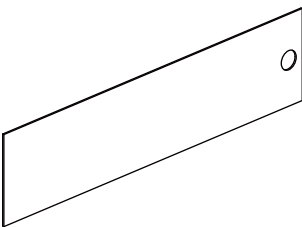
10 (560*330*12mm x1)



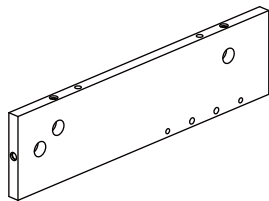
11 (520*170*12mm x1)



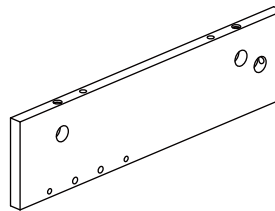
12 (520*170*12mm x1)



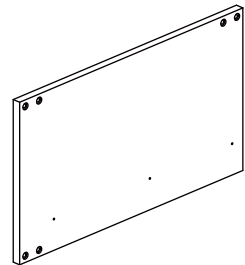
13 (1003*240*4mm x1)



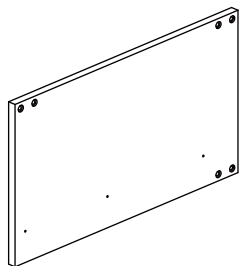
14 (330*86*12mm x1)



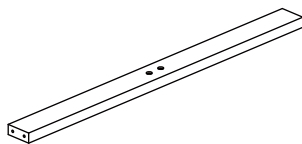
15 (330*86*12mm x1)



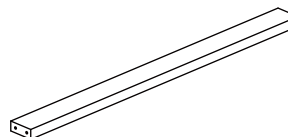
16 (521*296*15mm x1)



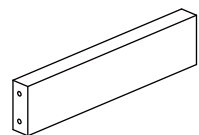
17 (521*296*15mm x1)



18 (771*57*23mm x2)



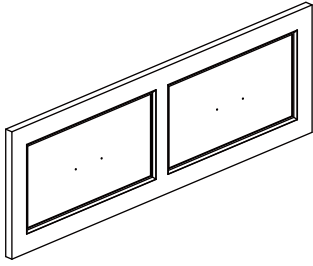
19 (771*57*23mm x1)



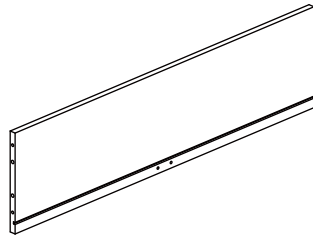
20 (247*57*23mm x1)

Parts List-Panels

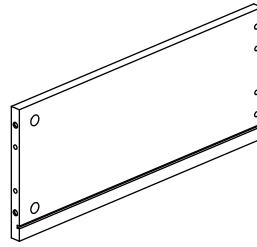
Please check you have all the panels listed



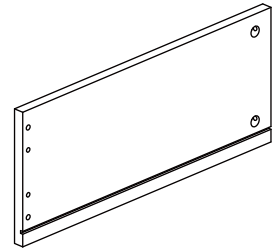
21 (1021*338*21mm x1)



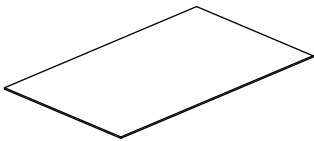
22 (729*192*12mm x1)



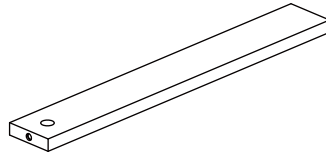
23 (454*192*15mm x1)



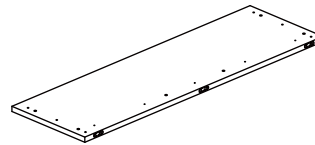
24 (454*192*15mm x1)



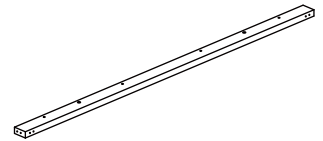
25 (736*446*4mm x1)



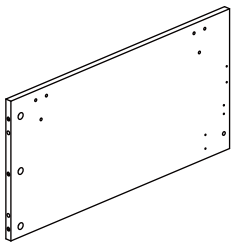
26 (438*60*15mm x1)



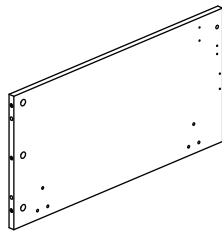
27 (1062*325*18mm x1)



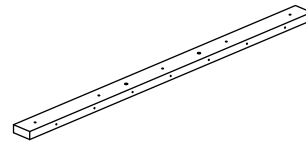
28 (1062*40*18mm x1)



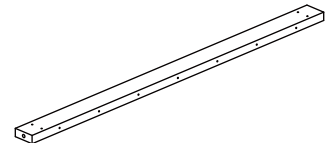
29 (652*325*15mm x1)



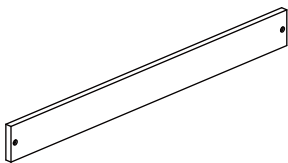
30 (652*325*15mm x1)



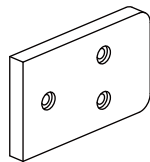
31 (991*57*23mm x1)



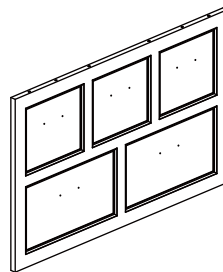
32 (991*57*23mm x1)



33 (644*65*12mm x7)



34 (114*70*12mm x4)

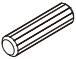
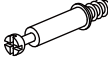

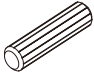
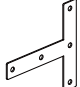
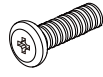




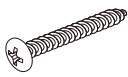
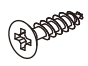

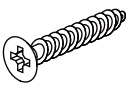
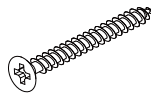
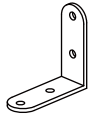
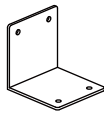
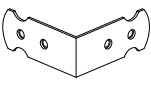
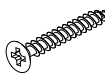

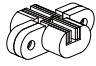

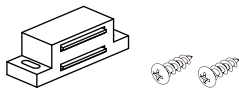
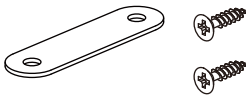
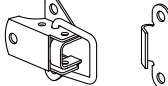

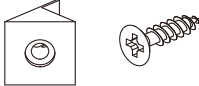
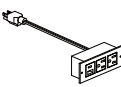
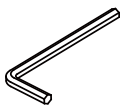
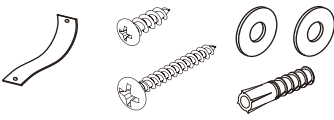
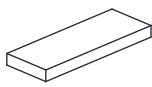
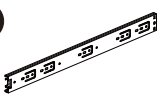
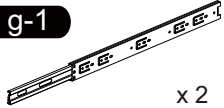
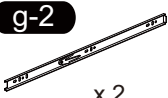


35 (1022*649*21mm x1)

Parts List-Fittings

Please check you have all the fittings listed below

Note: The quantities below are the correct amount to complete the assembly. In some cases more fittings may be supplied are required.

A  6*30mm Wooden Dowel x 38	B  6*35mm Cam Bolt x 54	C  Cam Lock x 54
D  8*30mm Wooden Dowel x 10	E  x 2	F  6*18mm Bolt x 12
G  4*16mm Screw x 18	H  5*40mm Screw x 22	I  4*14mm Screw x 36
J  4*14mm Screw x 16	K  4*30mm Screw x 5	L  3*12mm Screw x 14
M  4*12mm Screw x 14	N  4*25mm Screw x 12	O  4*40mm Screw x 2
P  x 2	Q  x 2	R  x 2
S  4*30mm Screw x 14	T  x 3	U  x 3
V  x 7	W  x 2	X  x 2
Y  x 2	Z  x 8	a  x 14
b  x 1	d  x 1	e  x 2
f  x 4	g  x 2 = g-1  x 2 + g-2  x 2	

Tools required



Phillips screwdriver
(medium & large)

Ruler - Use this ruler to help correctly identify the screws

mm

0 5 10 15 20 25 30 35 40 45 50 55 60 65 70 75 80 85 90 95 100 105 110 115 120 125 130 135 140 145 150 155 160 165 170



The screws length is measured from the head to the point (30mm screw shown).

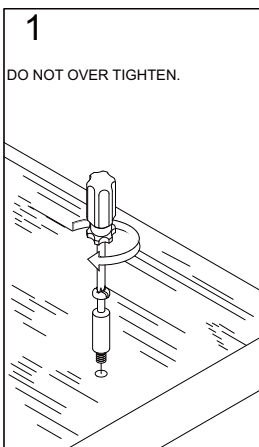
0 1 2 3

inch

Using Camlocks

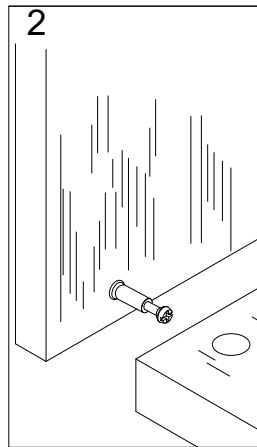
Step 1

Connect the male camlock as directed in the assembly instructions using a screwdriver.



Step 2

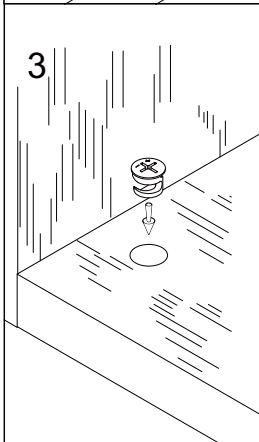
Push the male camlock into the entry hole.



Step 3

Insert the female camlock as shown in the instructions.

Note: ensure that the arrow on the top of the camlock points towards the entry hole for the male camlock.

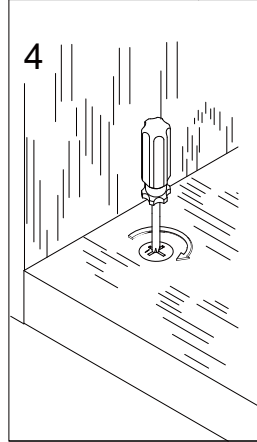


Step 4

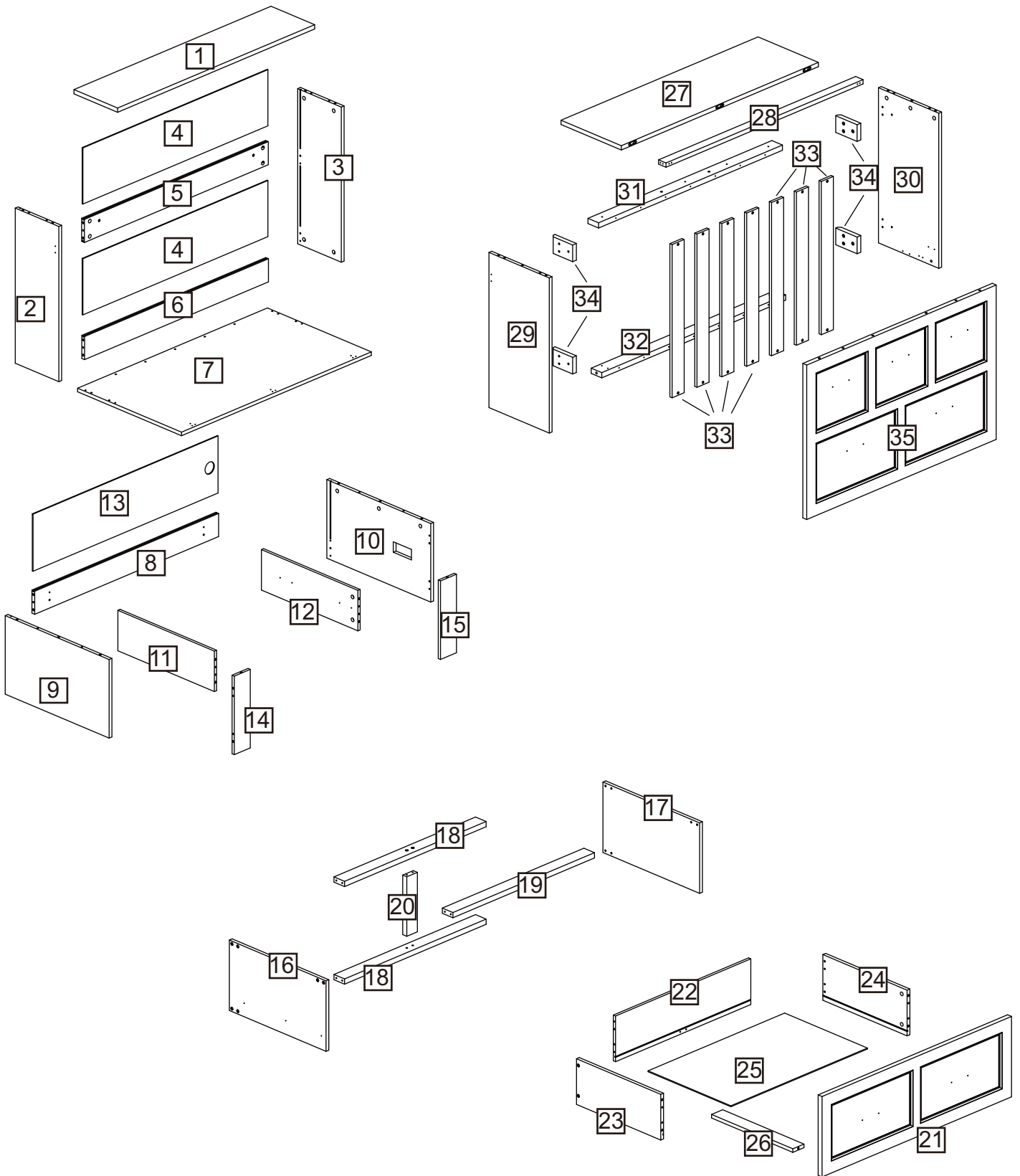
Turn the female camlock clockwise with a screwdriver.

You should feel a click when the camlock is locked in place.

The joint is now secure.

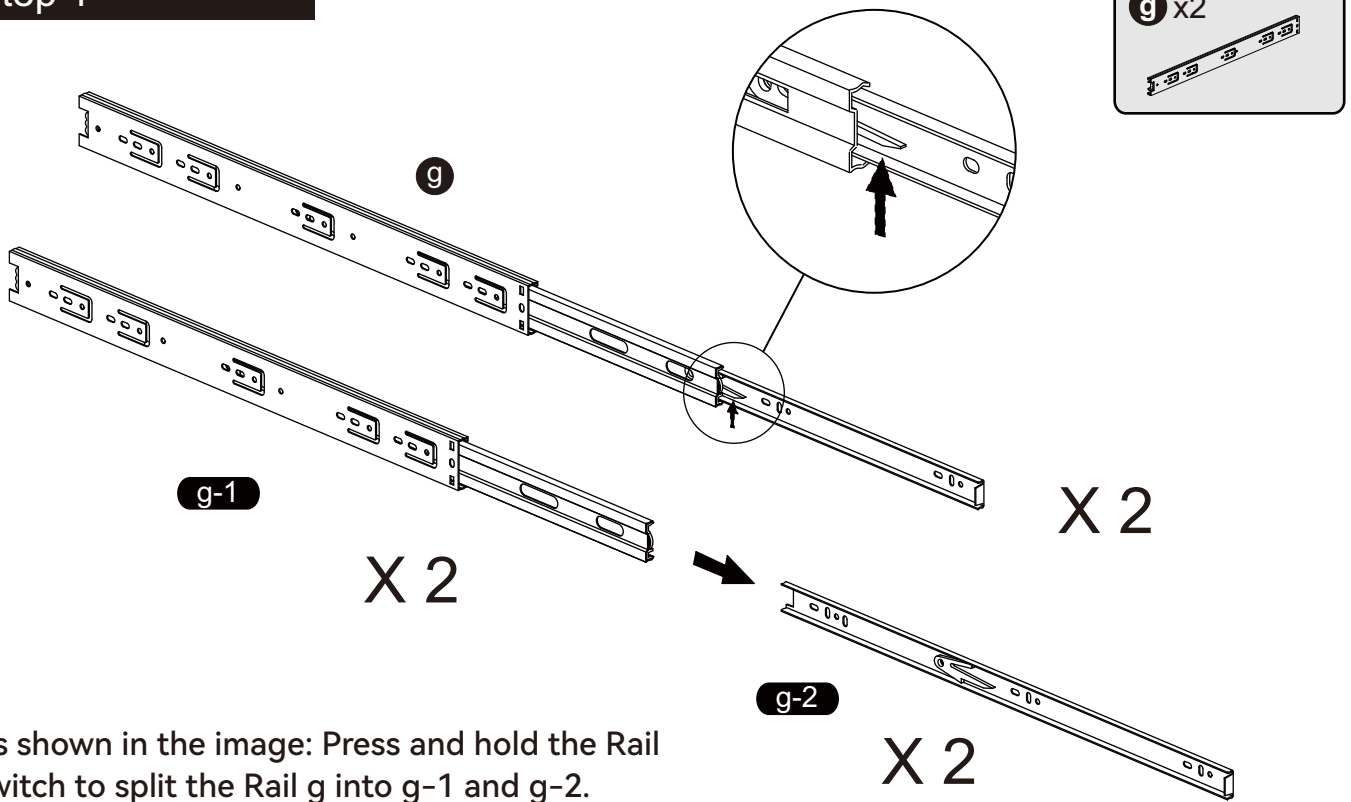


Assembly Instructions



Assembly Instructions

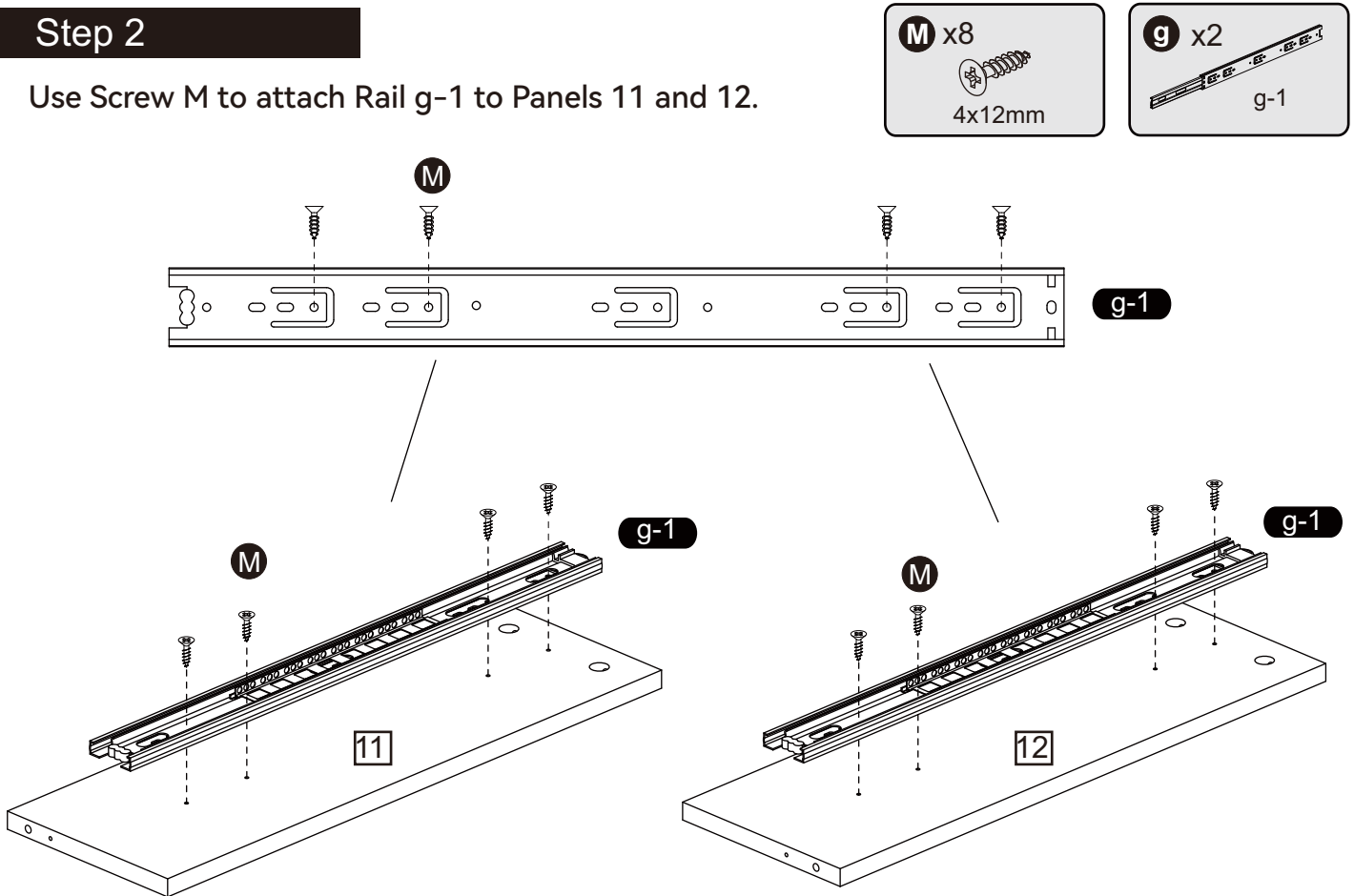
Step 1



As shown in the image: Press and hold the Rail switch to split the Rail g into g-1 and g-2.

Step 2

Use Screw M to attach Rail g-1 to Panels 11 and 12.

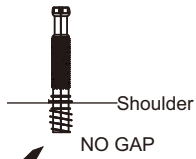
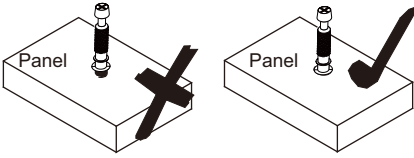


Assembly Instructions

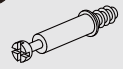
Step 3

CAM-LOCK

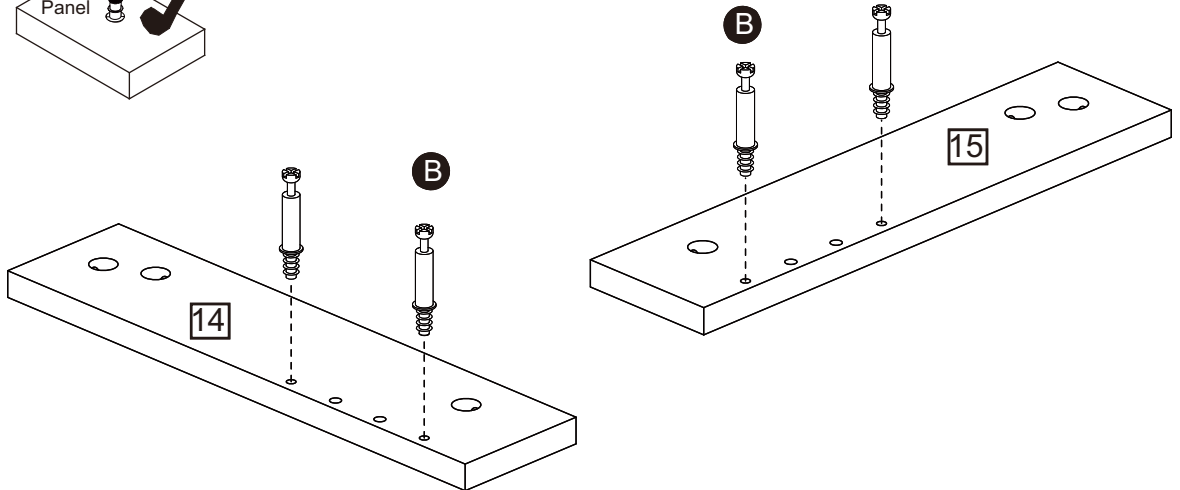
Tighten until shoulder is flush with panel. Do not overtighten or undertighten (see example below)



B x4



Use Cam Bolt B to attach to Panel 14 and Panel 15.



Step 4

A x4

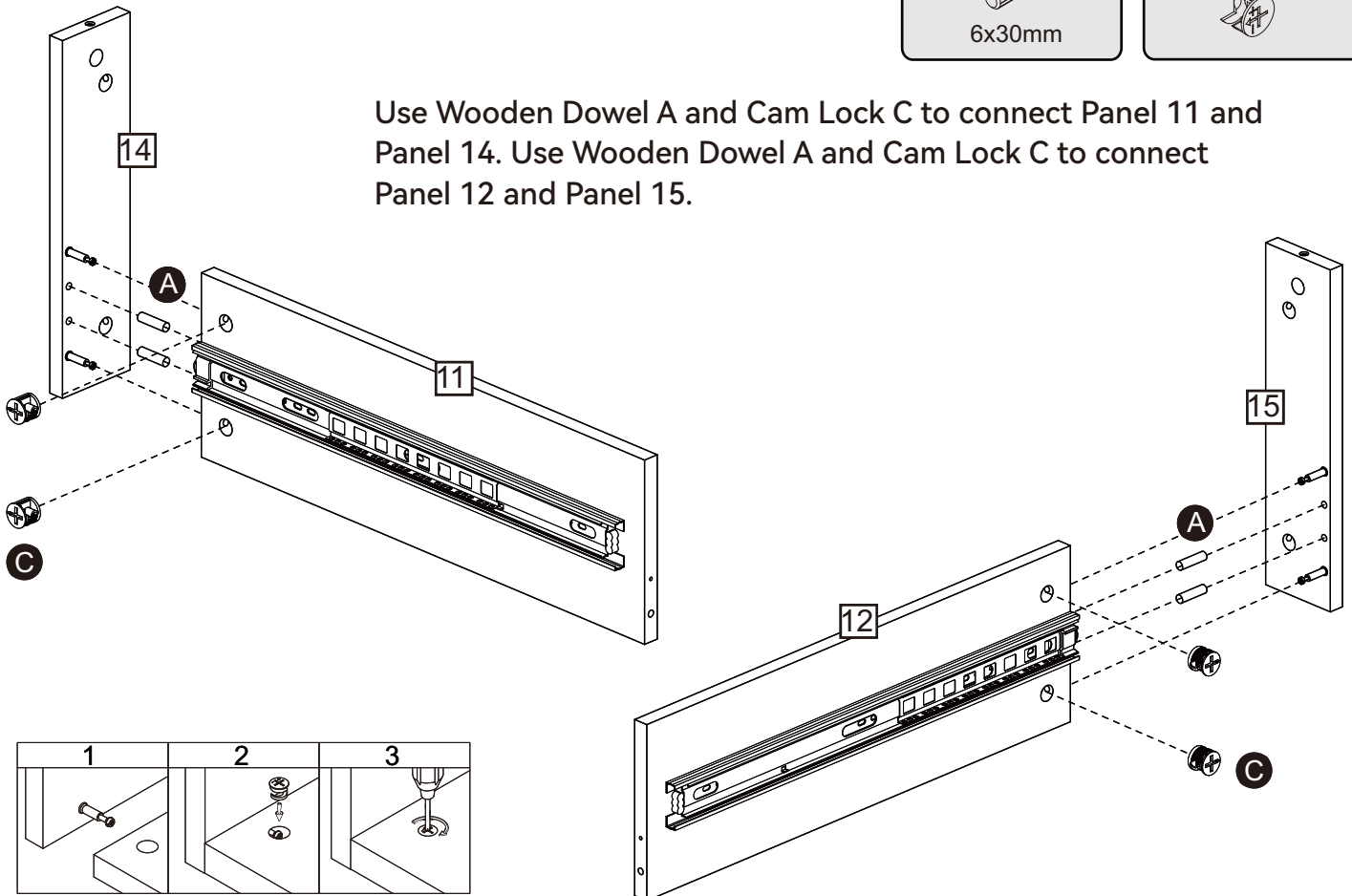
6x30mm



C x4



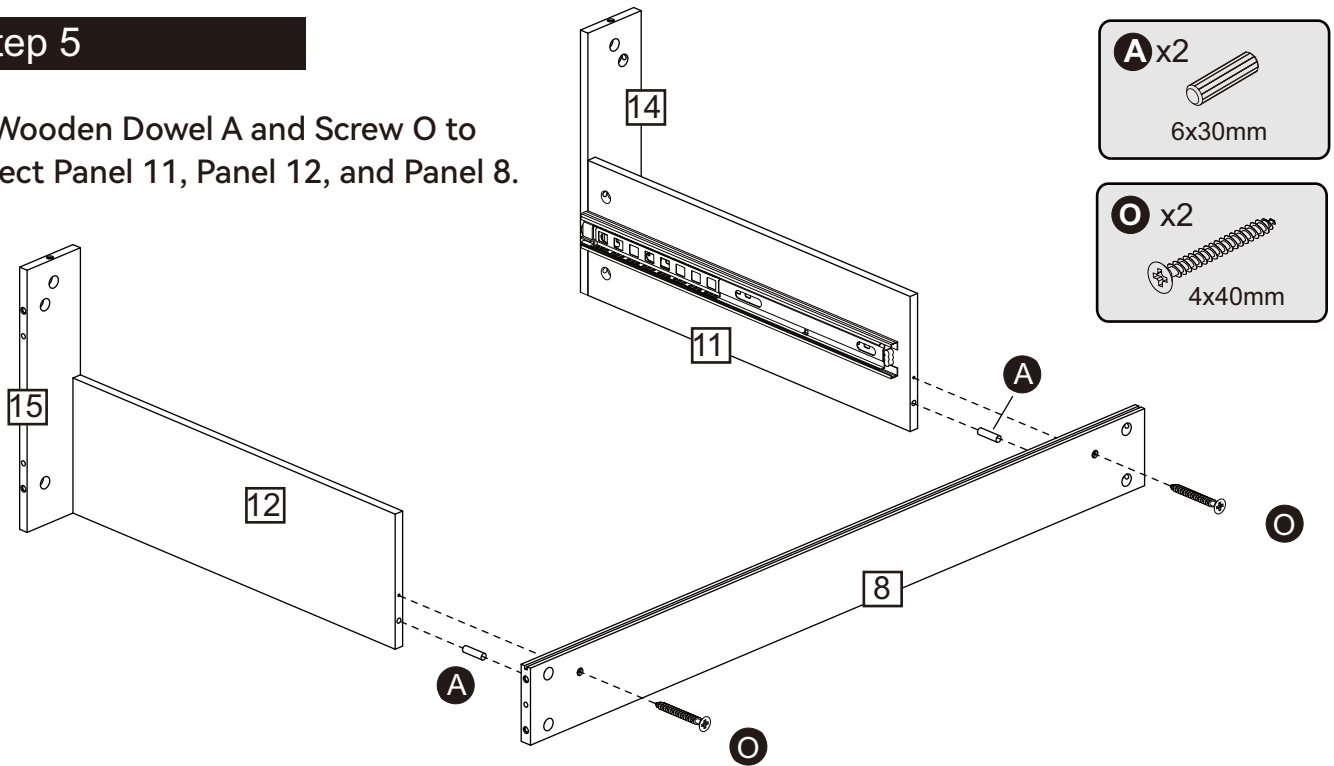
Use Wooden Dowel A and Cam Lock C to connect Panel 11 and Panel 14. Use Wooden Dowel A and Cam Lock C to connect Panel 12 and Panel 15.



Assembly Instructions

Step 5

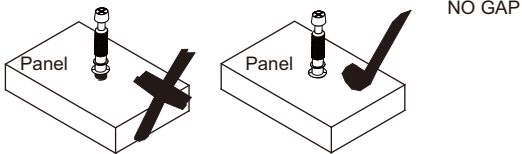
Use Wooden Dowel A and Screw O to connect Panel 11, Panel 12, and Panel 8.



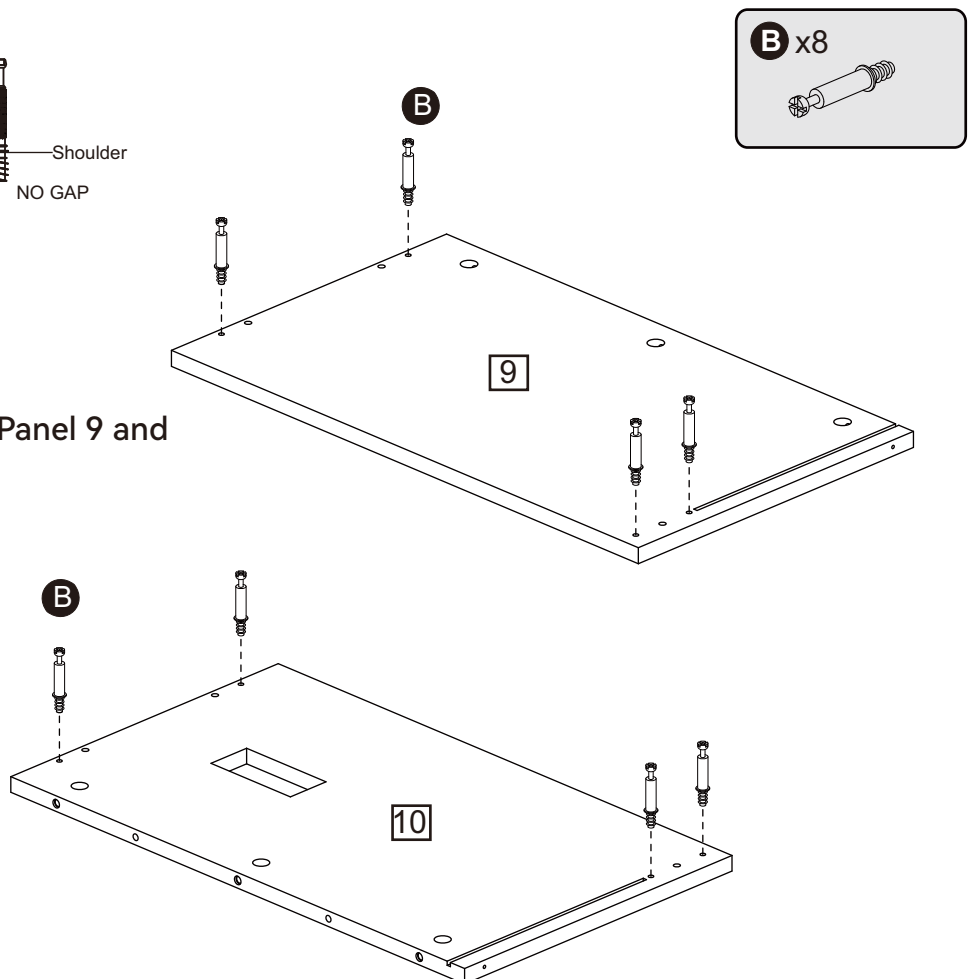
Step 6

CAM-LOCK

Tighten until shoulder is flush with panel. Do not overtighten or undertighten (see example below)



Use Cam Bolt B to attach to Panel 9 and Panel 10.



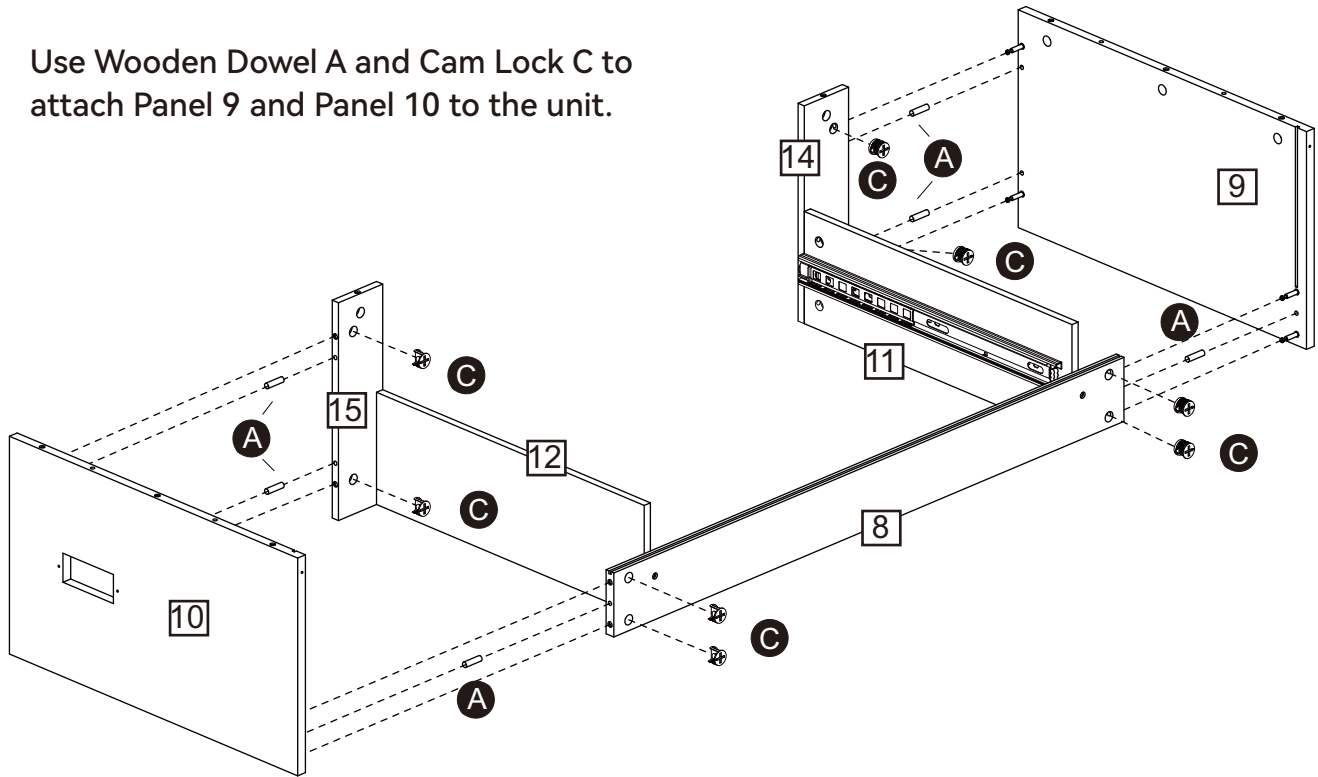
Assembly Instructions

Step 7

A x6
6x30mm

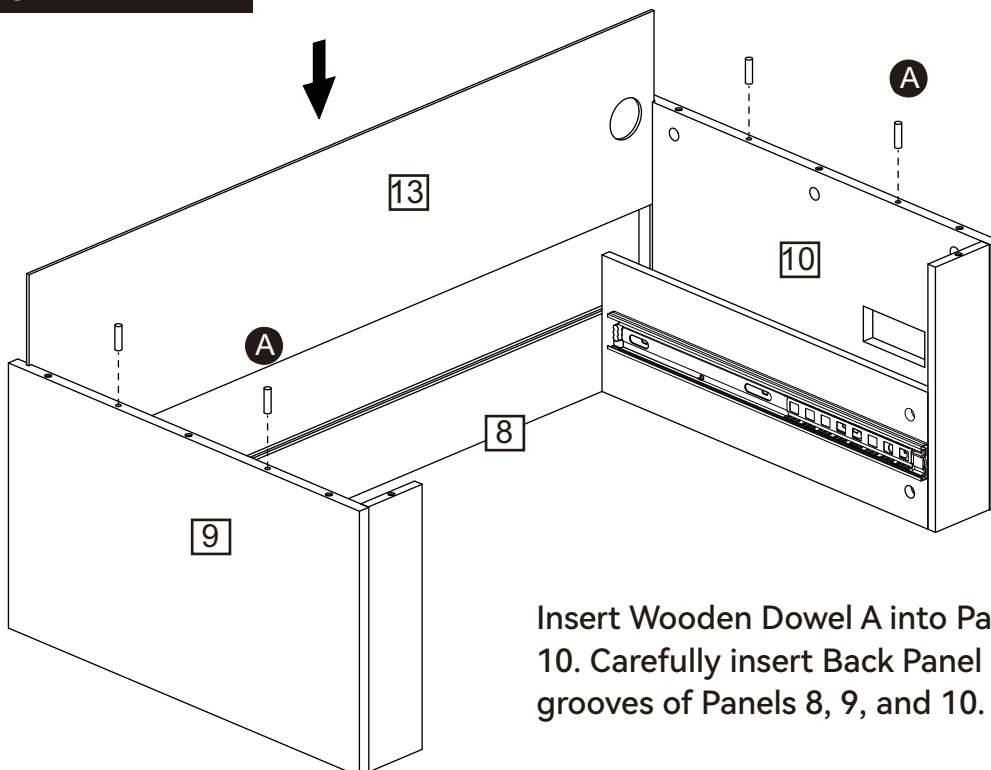
C x8

Use Wooden Dowel A and Cam Lock C to attach Panel 9 and Panel 10 to the unit.



Step 8

A x4
6x30mm



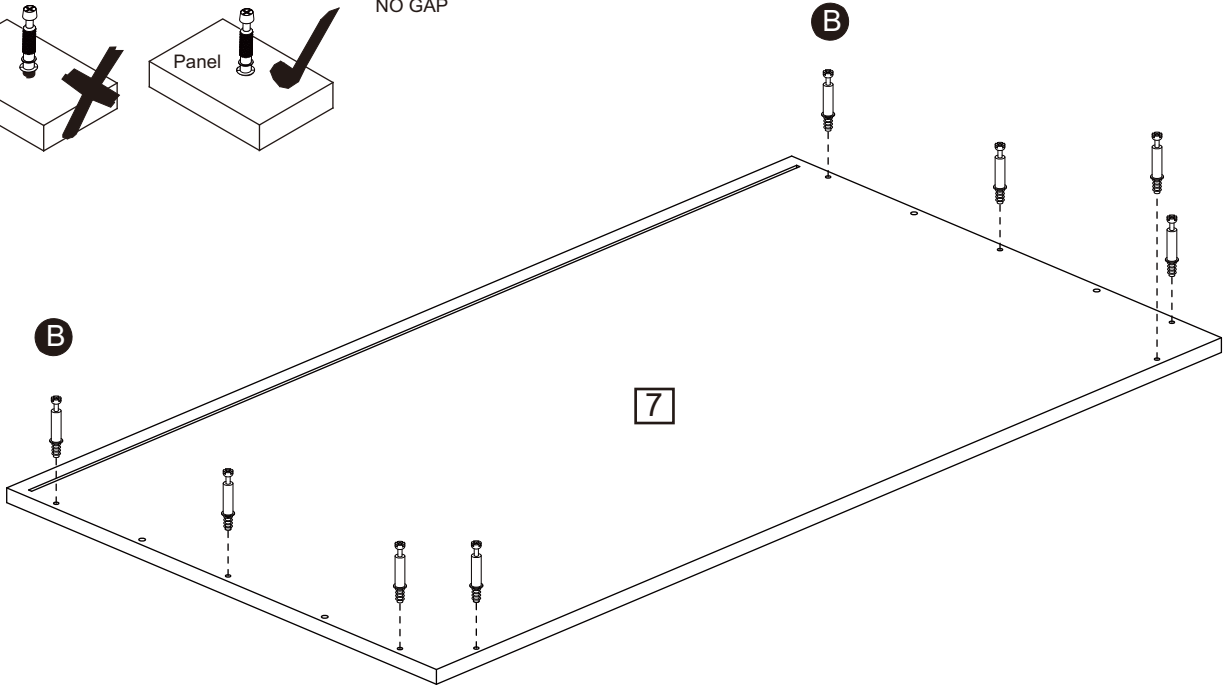
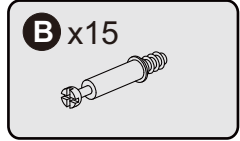
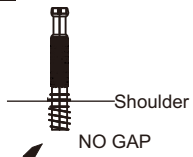
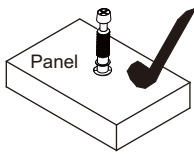
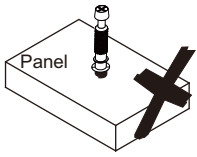
Insert Wooden Dowel A into Panel 9 and Panel 10. Carefully insert Back Panel 13 into the grooves of Panels 8, 9, and 10.

Assembly Instructions

Step 9

CAM-LOCK

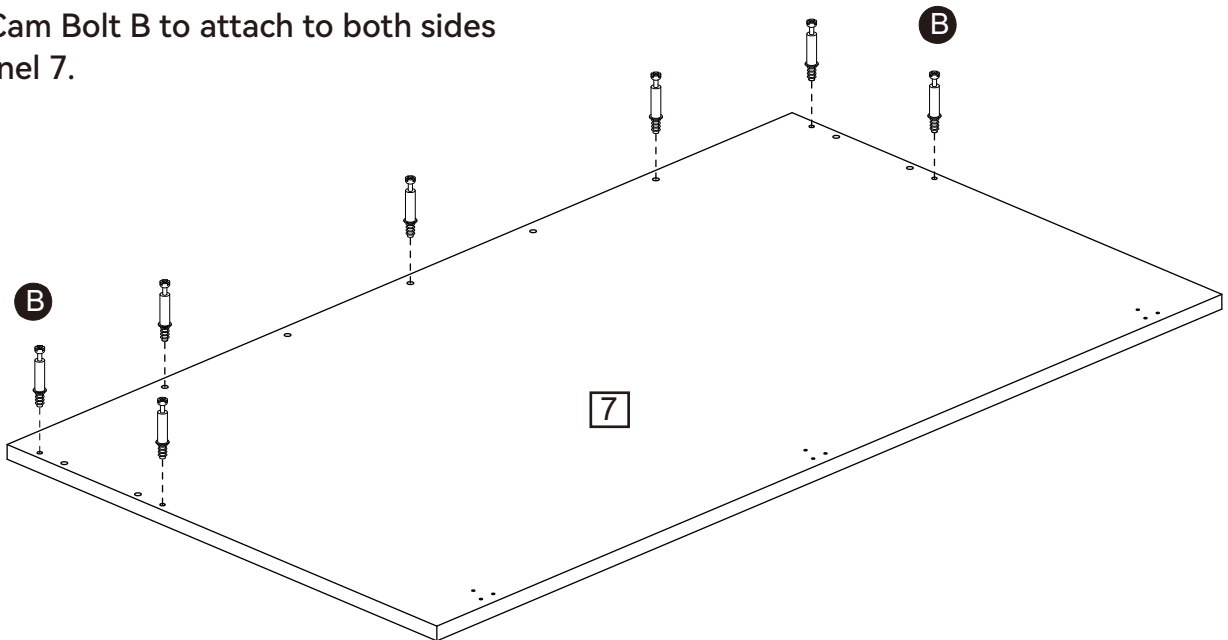
Tighten until shoulder is flush with panel. Do not overtighten or undertighten (see example below)



Turn the panel over

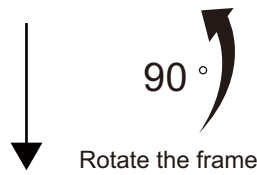
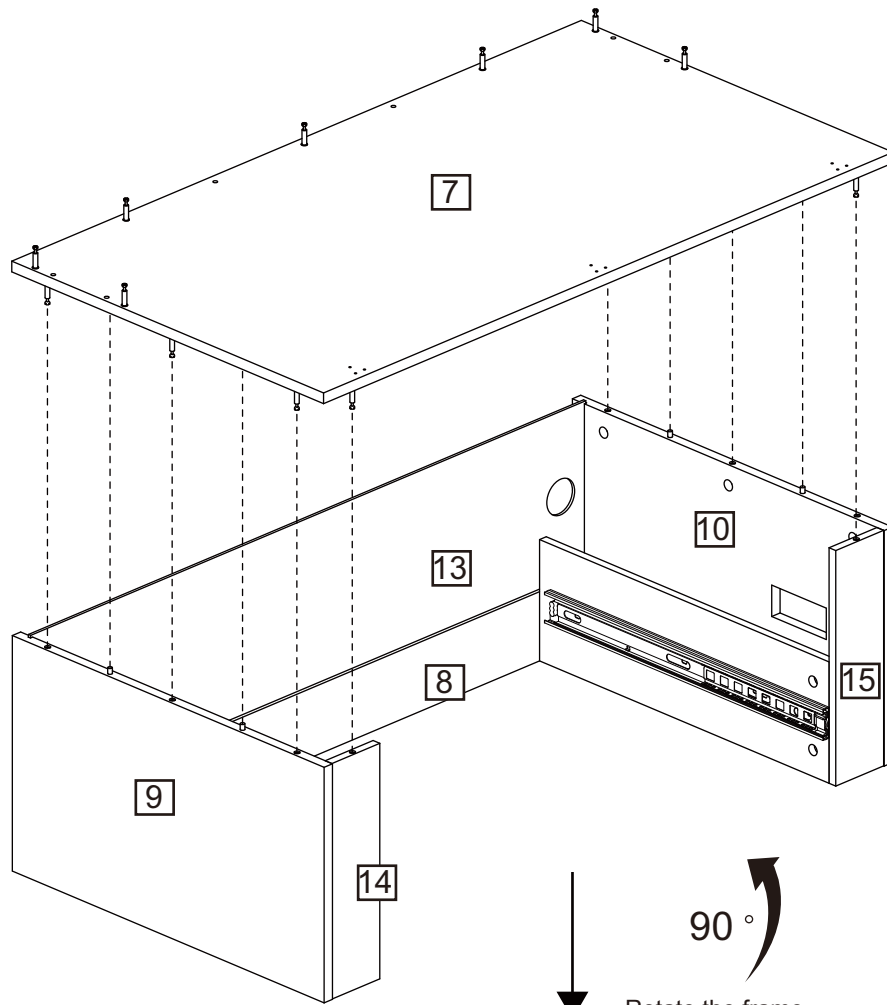
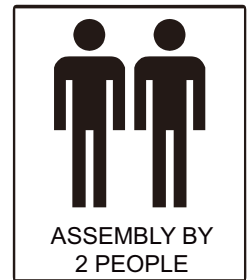


Use Cam Bolt B to attach to both sides of Panel 7.

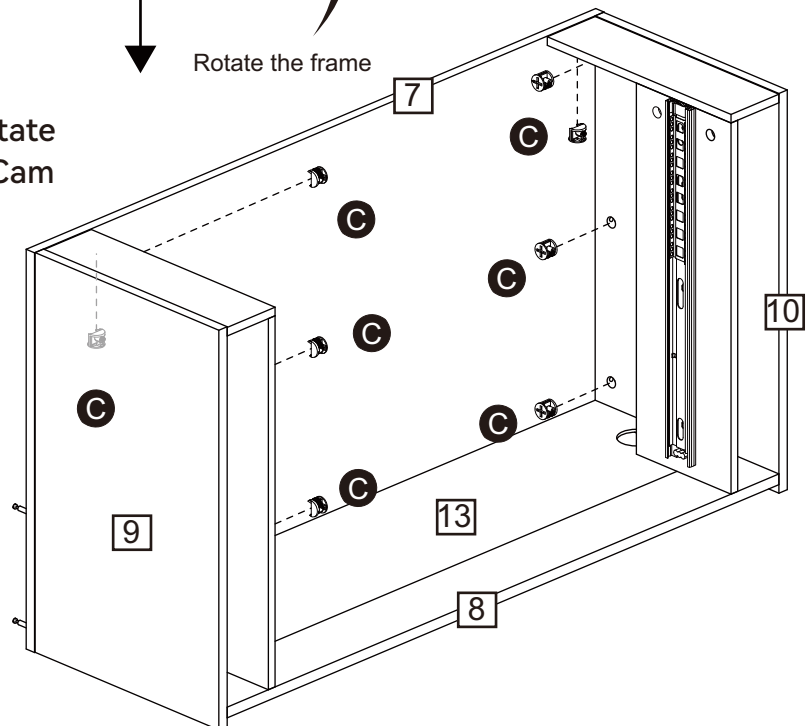


Assembly Instructions

Step 10

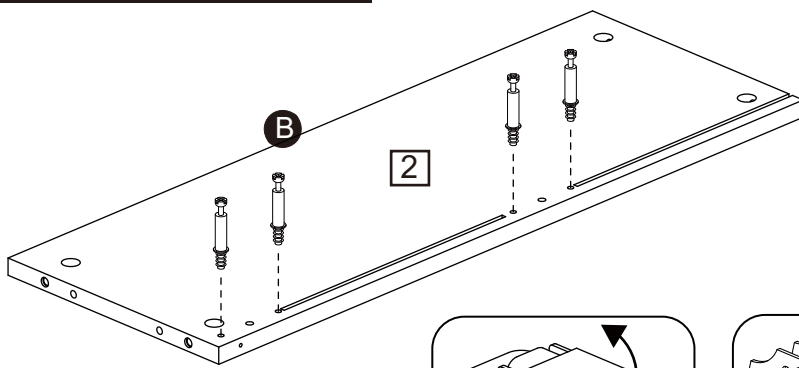


Place Panel 7 onto the unit, then rotate it 90 degrees backward. Insert the Cam Lock and secure it.

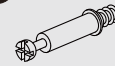


Assembly Instructions

Step 11



B x4



I x2



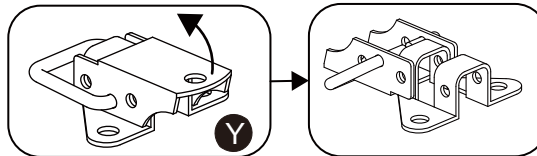
4x14mm

Y x1

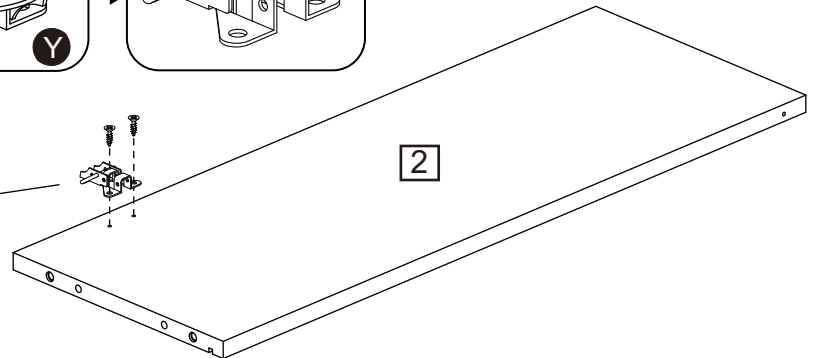
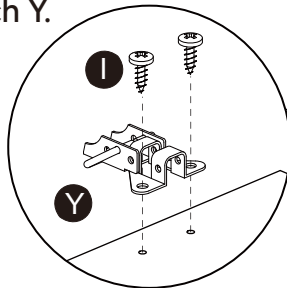


Turn the panel over

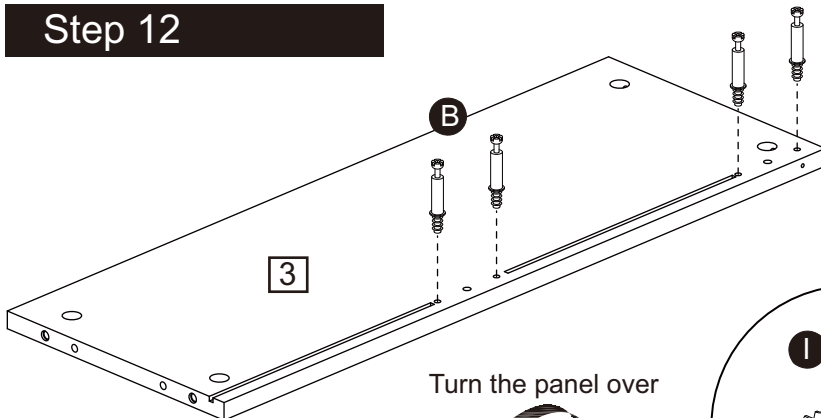
180°



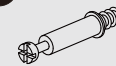
Attach Cam Bolt B to Panel 2, then flip it over and use Screw I to attach Y.



Step 12



B x4

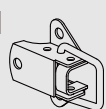


I x2



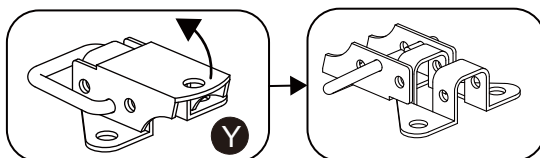
4x14mm

Y x1

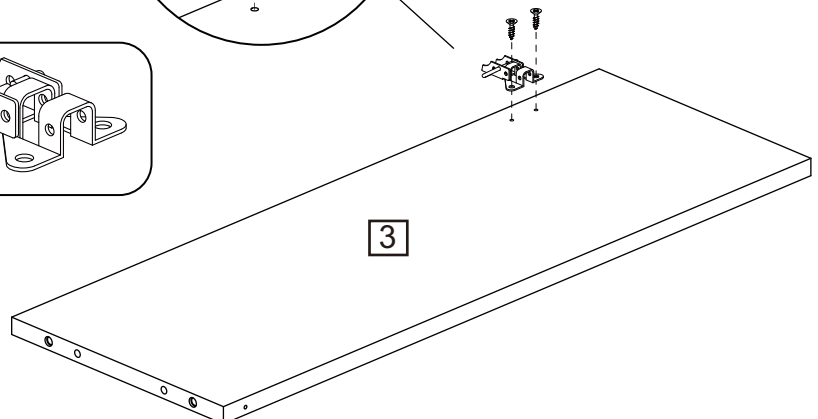
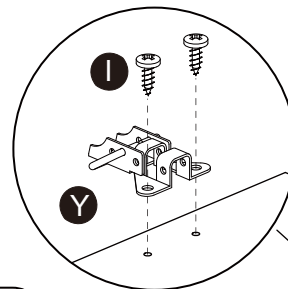


Turn the panel over

180°



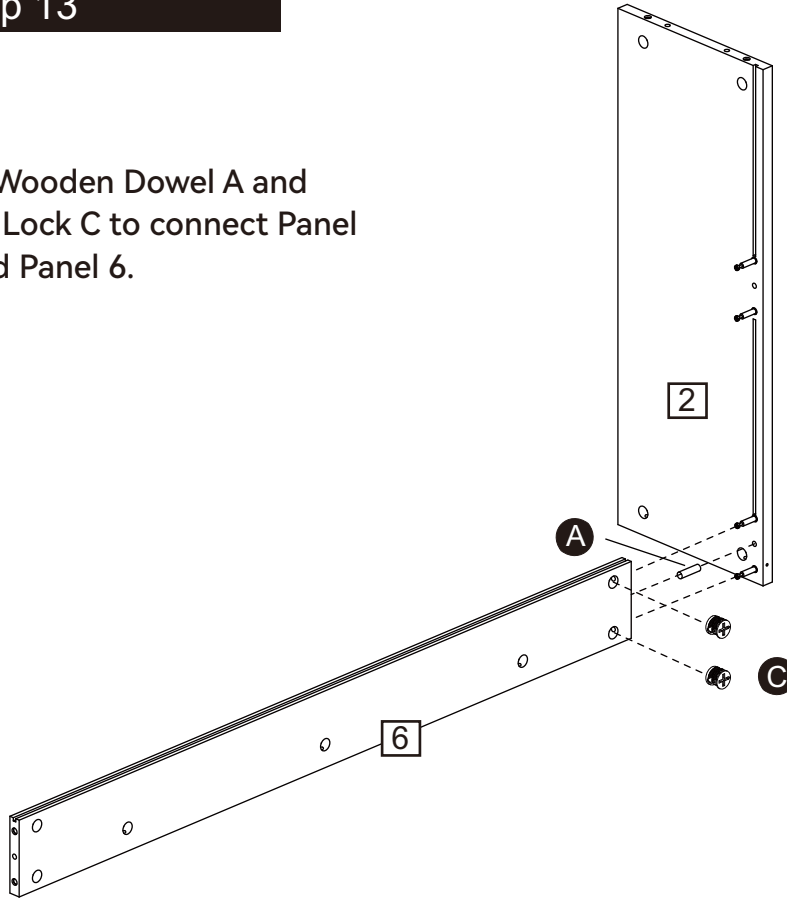
Attach Cam Bolt B to Panel 3, then flip it over and use Screw I to attach Y.



Assembly Instructions

Step 13

Use Wooden Dowel A and Cam Lock C to connect Panel 2 and Panel 6.

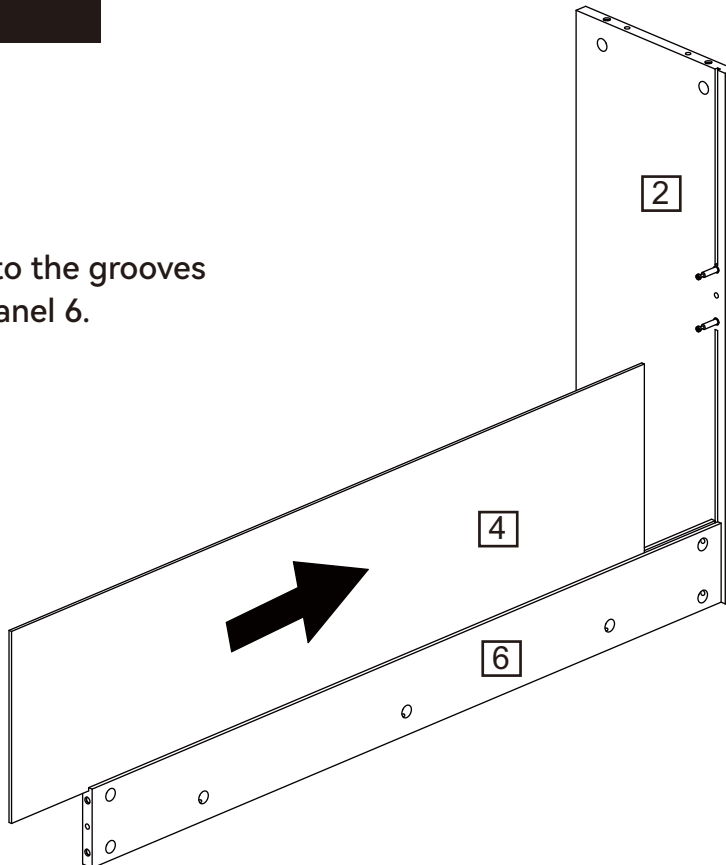


A x1
6x30mm

C x2

Step 14

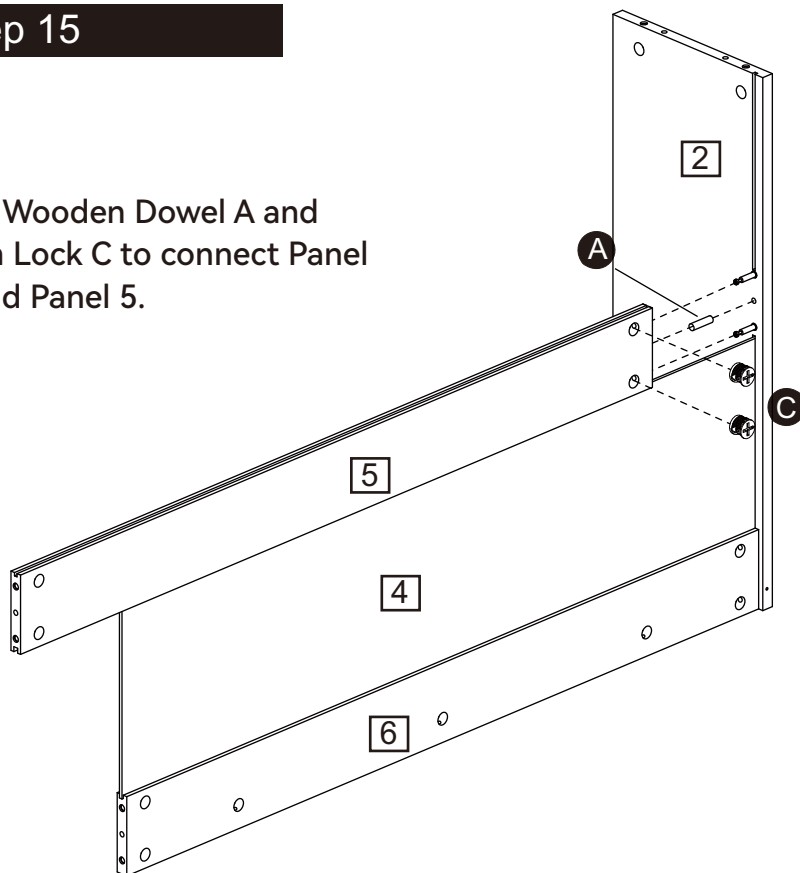
Insert Panel 4 into the grooves of Panel 2 and Panel 6.



Assembly Instructions

Step 15

Use Wooden Dowel A and Cam Lock C to connect Panel 2 and Panel 5.



A x1



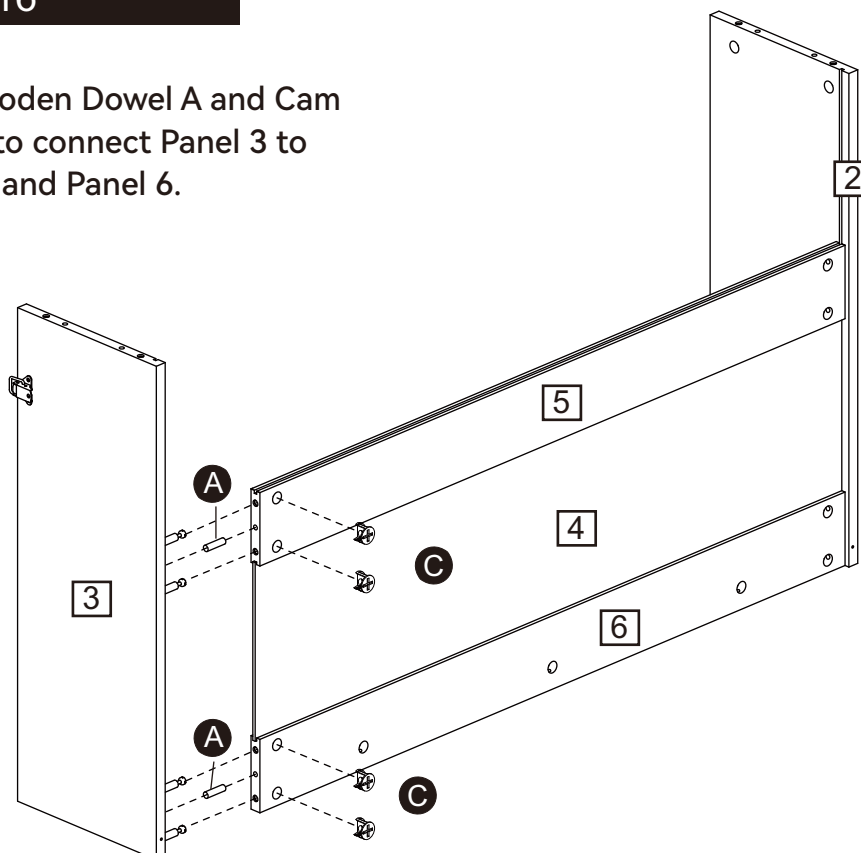
6x30mm

C x2



Step 16

Use Wooden Dowel A and Cam Lock C to connect Panel 3 to Panel 5 and Panel 6.



A x2



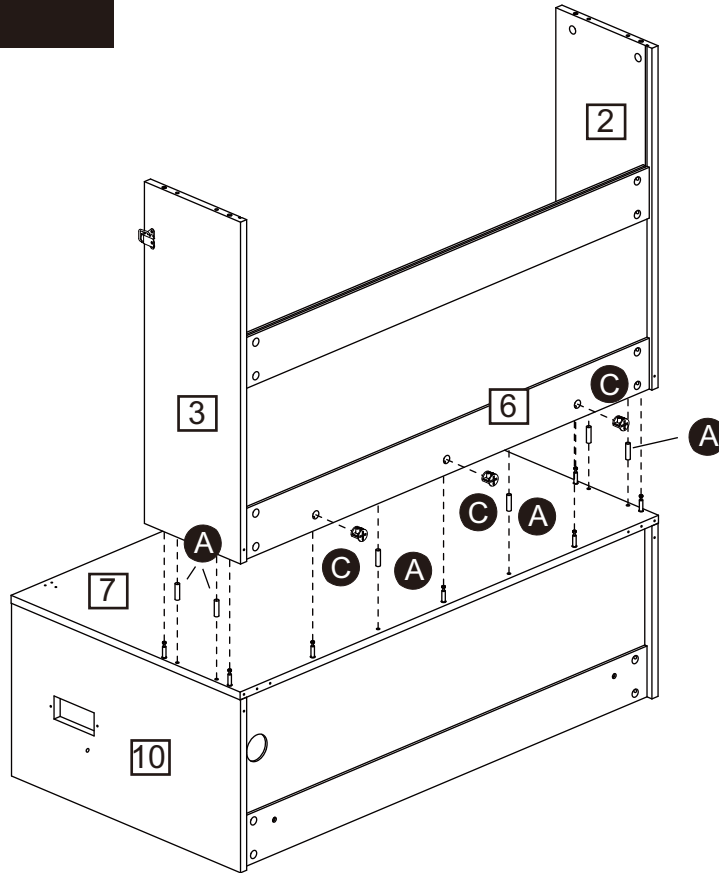
6x30mm

C x4



Assembly Instructions

Step 17

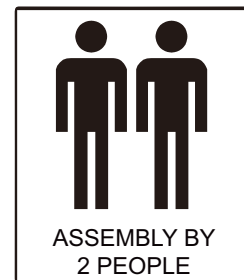


A x10



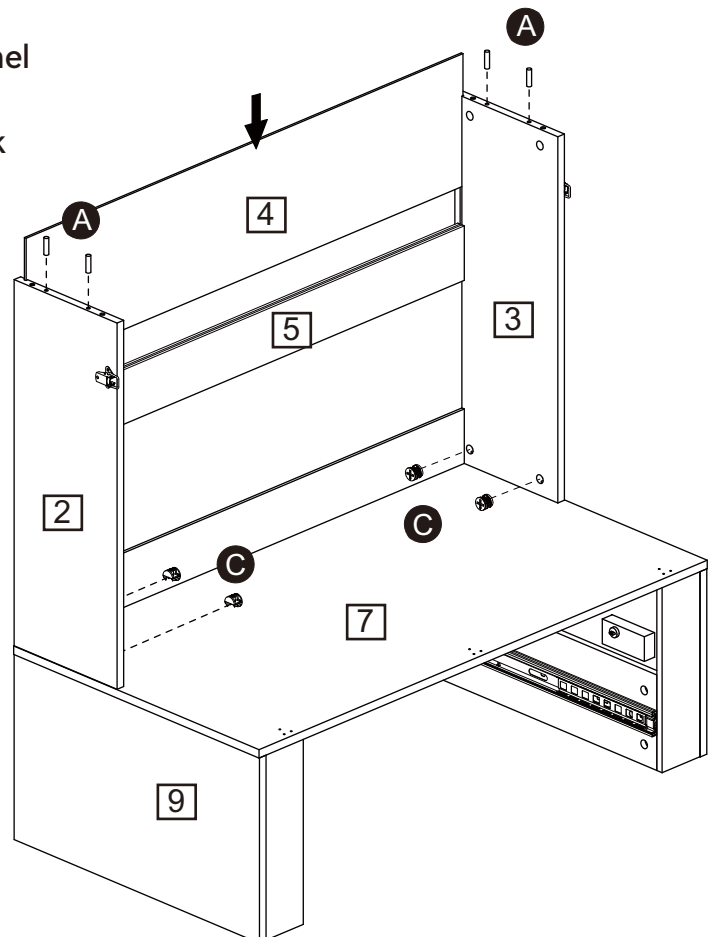
6x30mm

C x7



ASSEMBLY BY
2 PEOPLE

First, insert Wooden Dowel A, then place the assembly of Panel 2, Panel 3, and Panel 6 onto the assembly of Panel 7, Panel 9, and Panel 10. Finally, insert the Cam Lock and secure it.



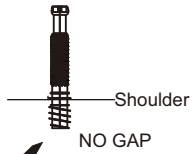
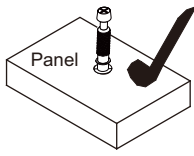
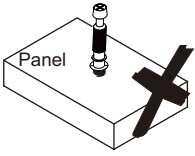
First, insert 4 Cam Locks C and secure them. Carefully insert Wooden Dowel A into Panel 2 and Panel 3, and carefully insert Back Panel 4 into the grooves of Panel 2, Panel 3, and Panel 5.

Assembly Instructions

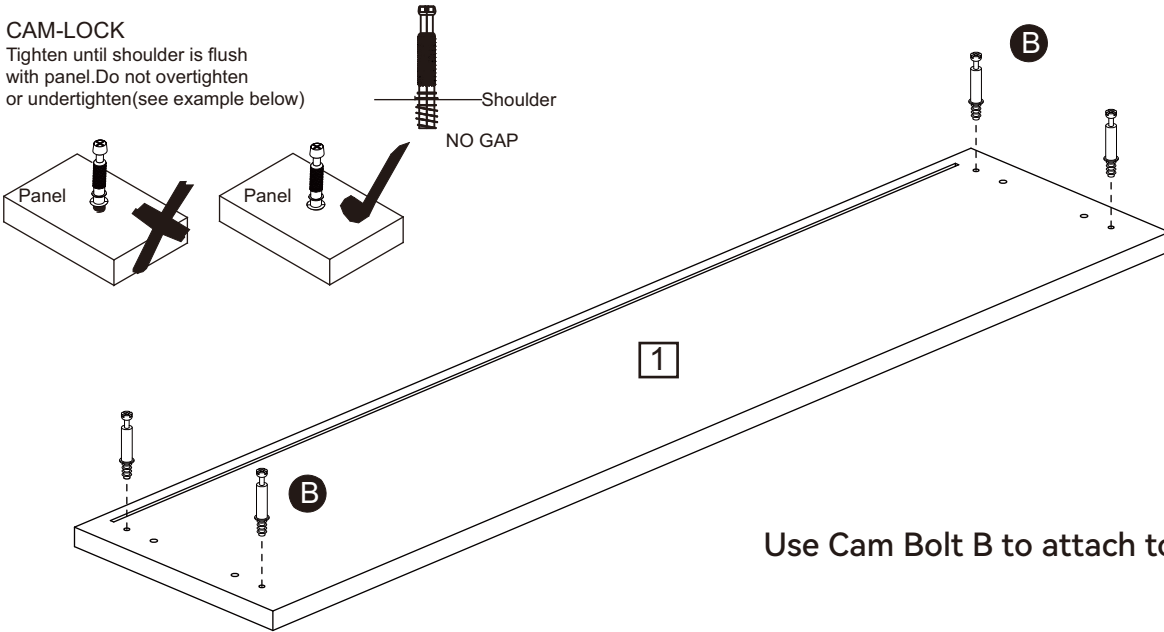
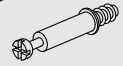
Step 18

CAM-LOCK

Tighten until shoulder is flush with panel. Do not overtighten or undertighten (see example below)



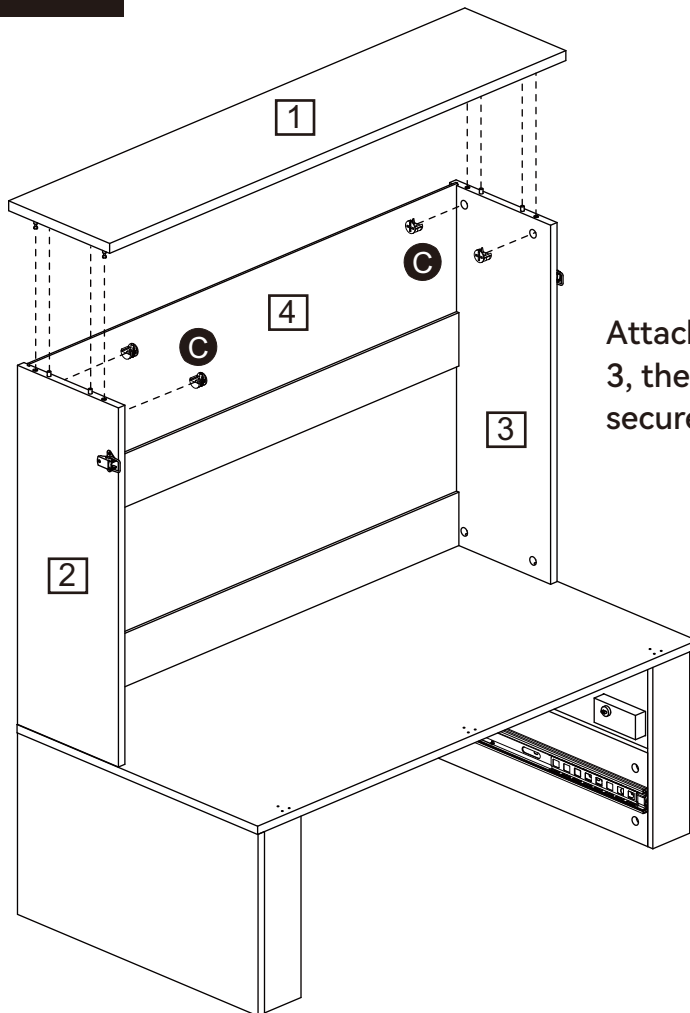
B x4



Use Cam Bolt B to attach to Panel 1.

Step 19

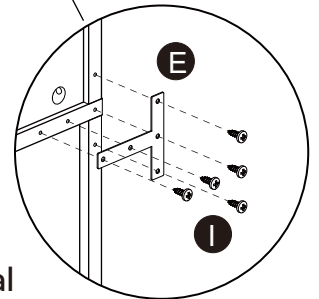
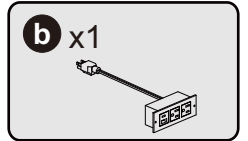
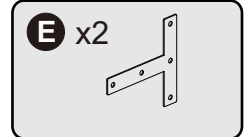
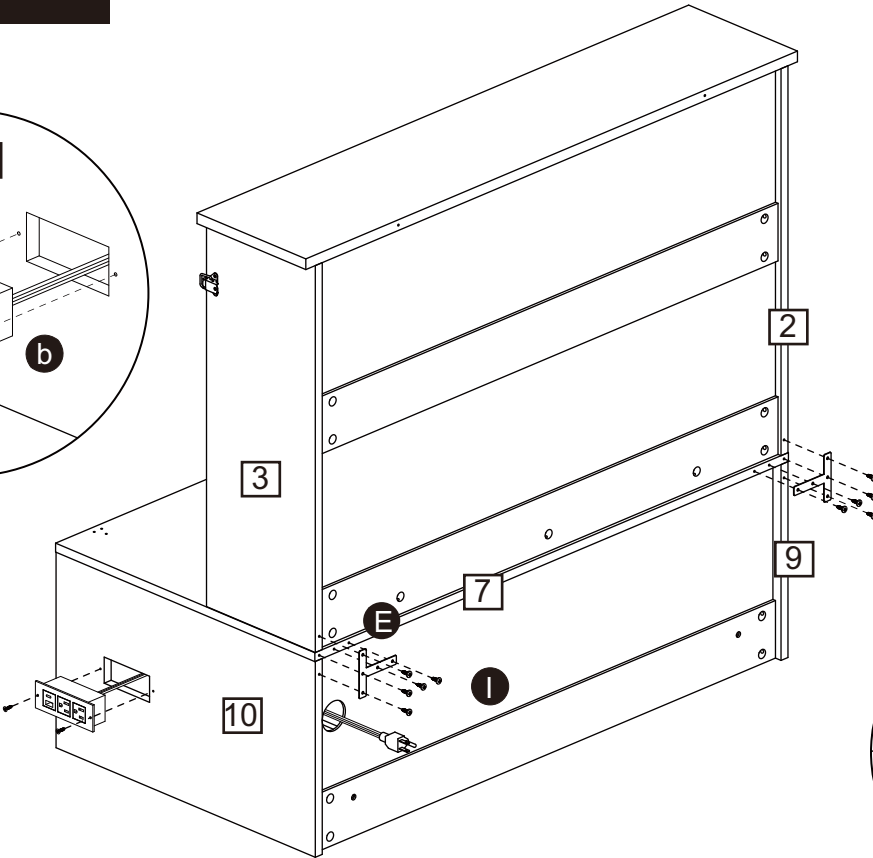
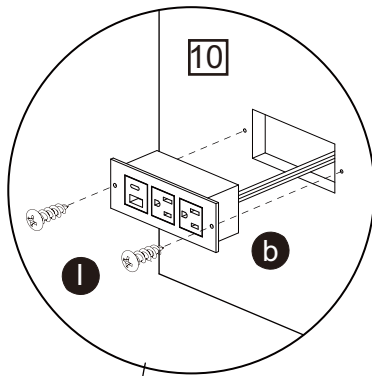
C x4



Attach Panel 1 to Panel 2 and Panel 3, then insert the Cam Lock C and secure it.

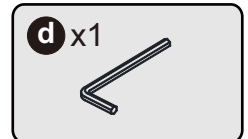
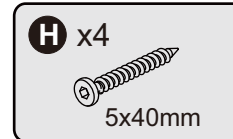
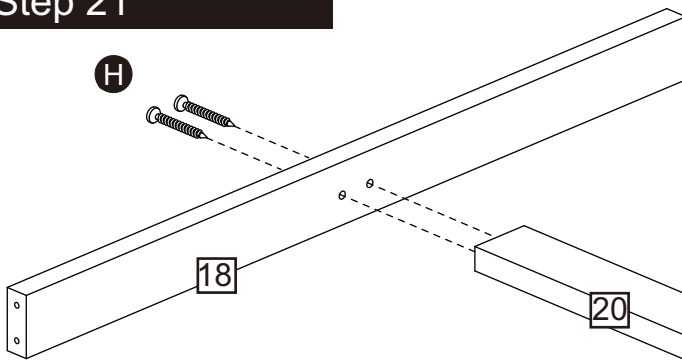
Assembly Instructions

Step 20

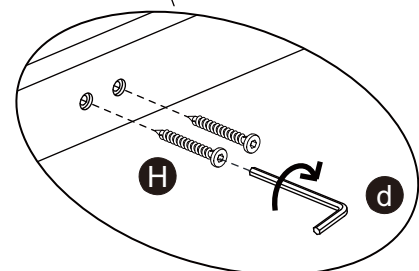
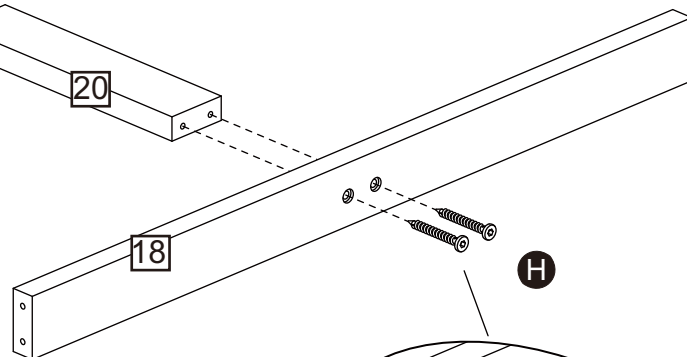


Use Screw l to attach Power Strip b to Panel 10. Use Screw l to attach Metal Plate E to the corresponding position as shown in the image.

Step 21

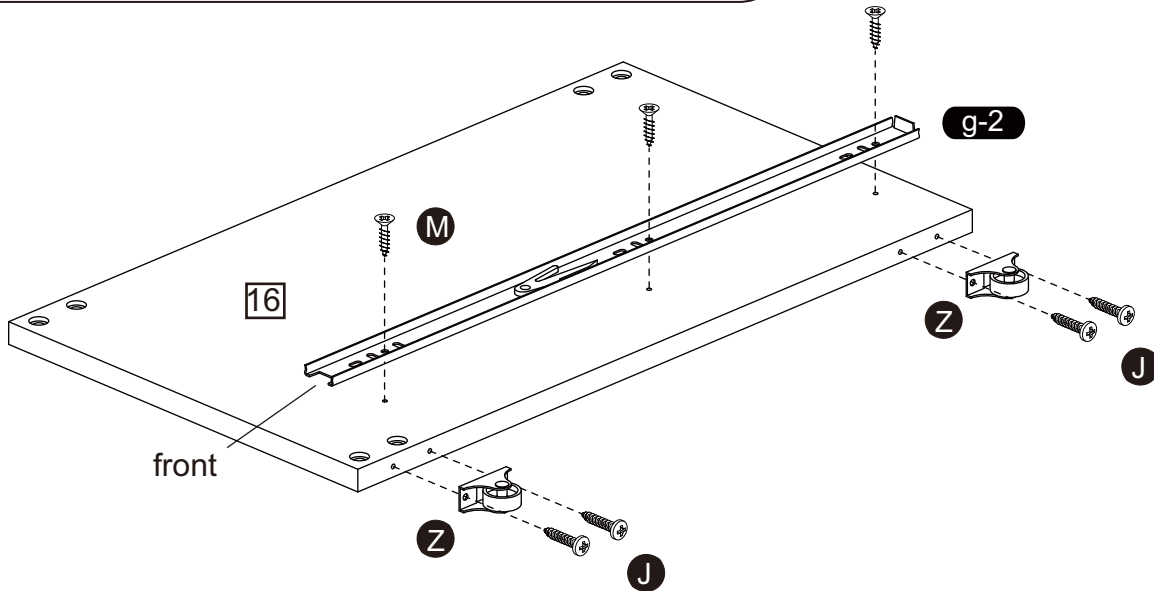
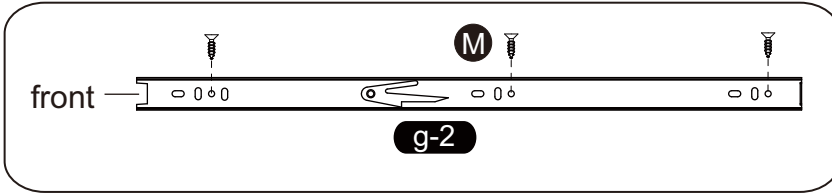
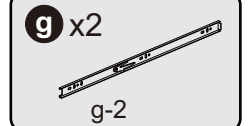
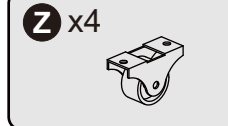
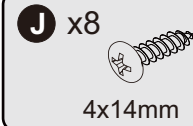
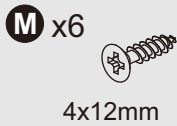


Use Screw H and Wrench d to connect Panels 18 and 20.

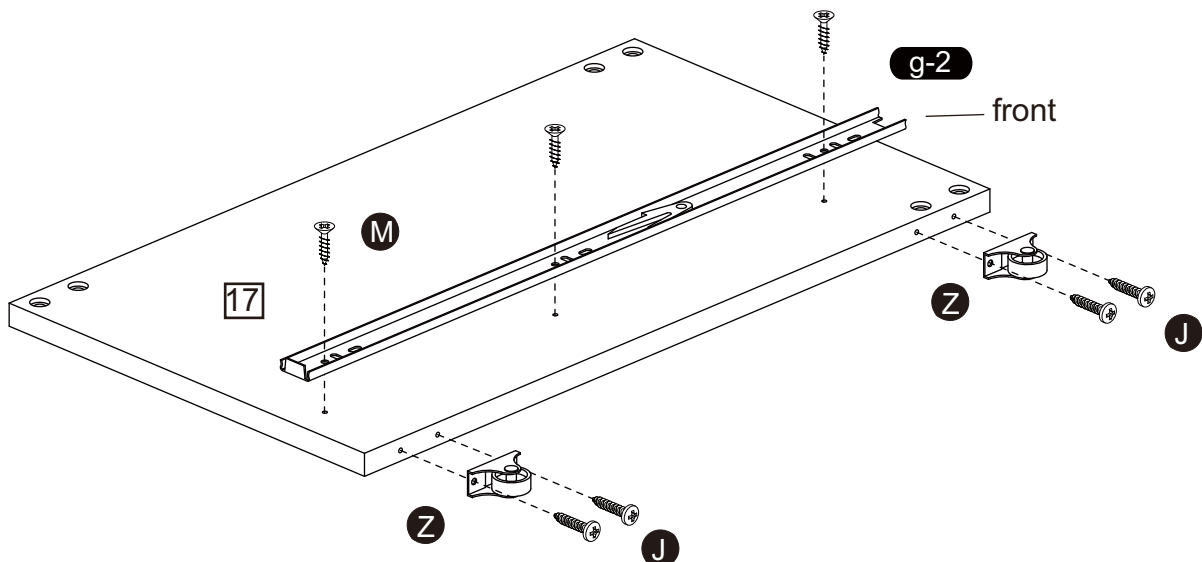
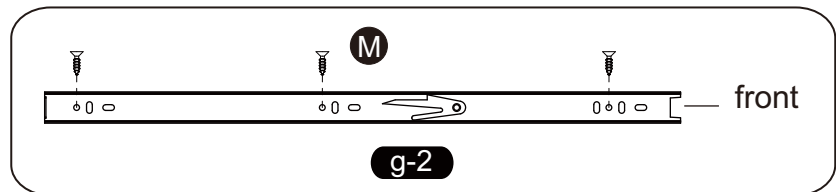


Assembly Instructions

Step 22



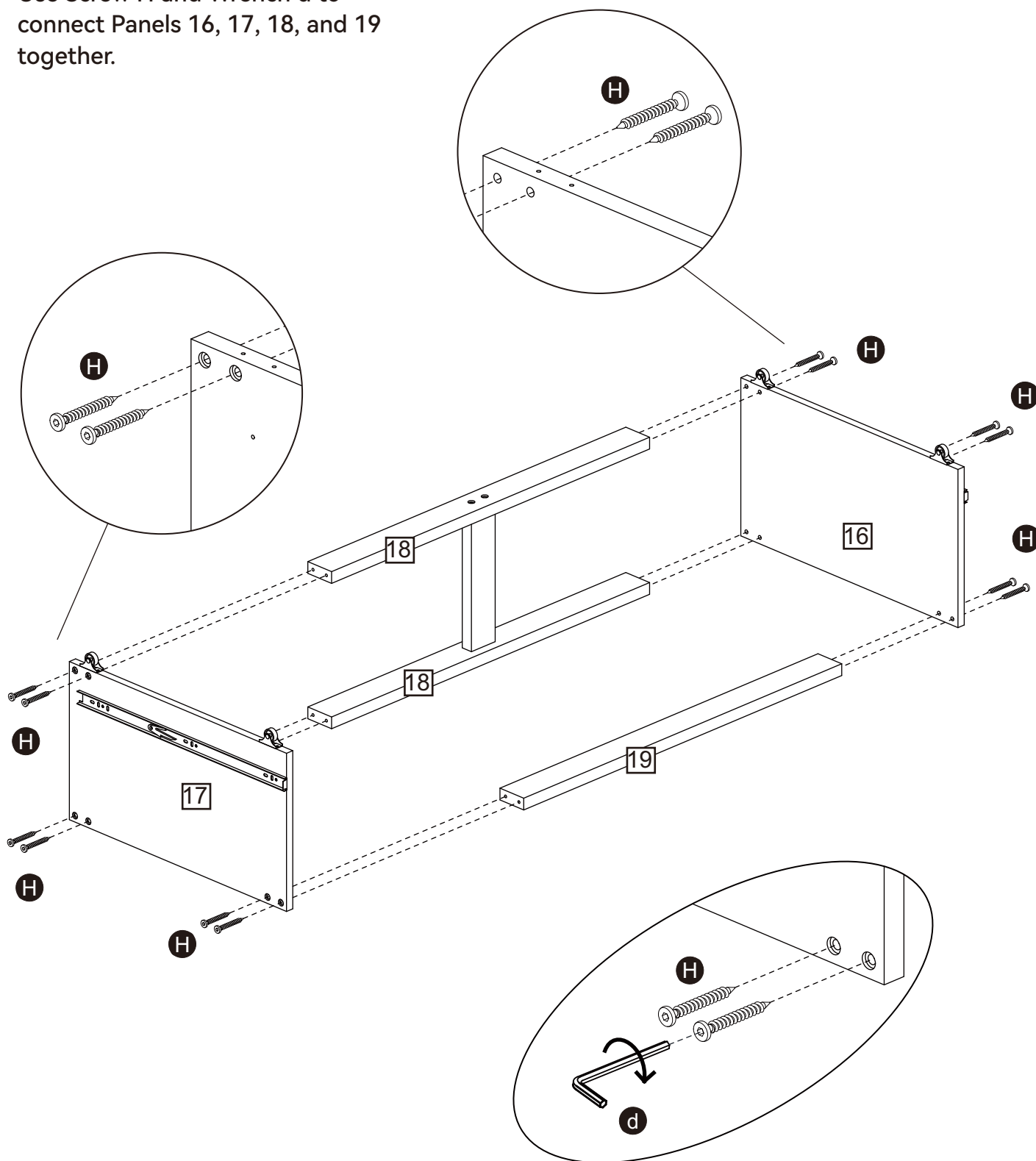
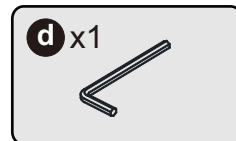
Use Screw M to attach rail g-2 to Panel 16 and Panel 17. Use Screw J to attach Wheels Z to Panel 16 and Panel 17.



Assembly Instructions

Step 23

Use Screw H and Wrench d to connect Panels 16, 17, 18, and 19 together.

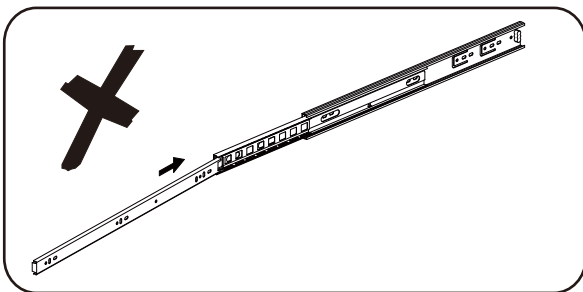
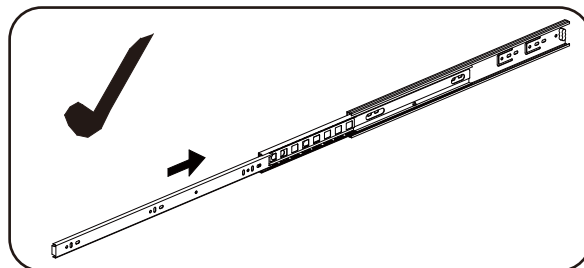
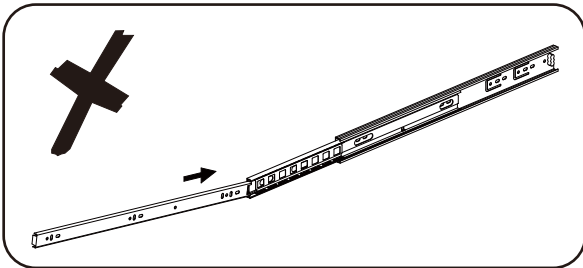
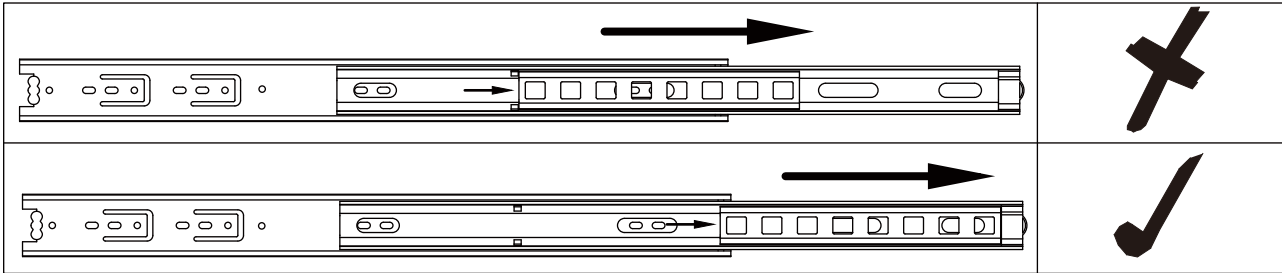


Assembly Instructions

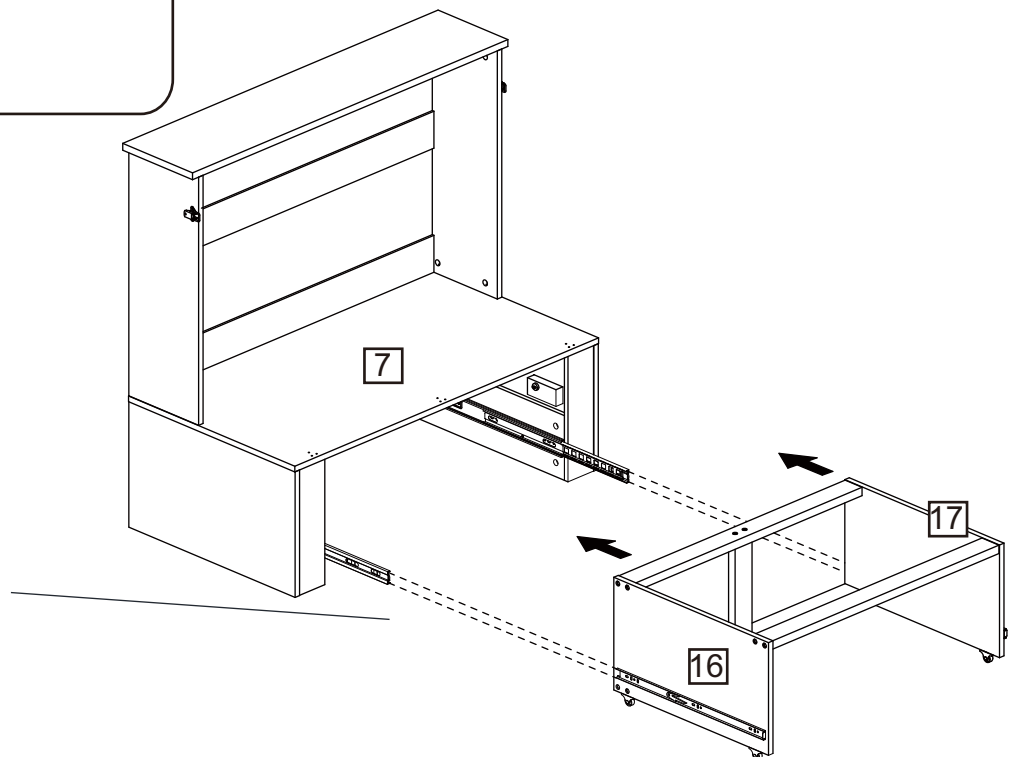
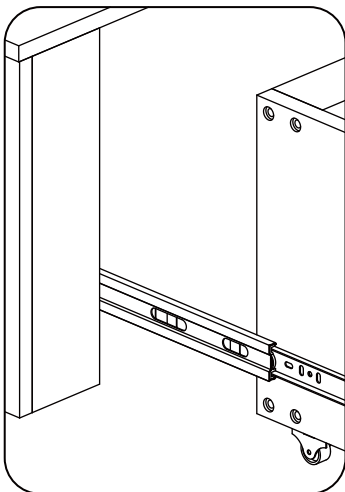
Step 24

Try to find a partner to install with you, which can speed up the installation efficiency and shorten the time.

Please make sure that the balls in the tracks on both sides are pulled to the top, and then insert the tracks to ensure smooth entry.



1. Drawers must be horizontally put into the cabinets.
2. Make sure both sides sliders match well to avoid damage.



Attention:

1. Pull out the rail installed on the cabinet.
2. Align the slide runners on the drawer with the unit and push it carefully inside until it stops.

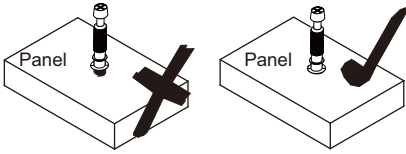
★ If the drawer does not go in smoothly please take it out and repeat the steps.

Assembly Instructions

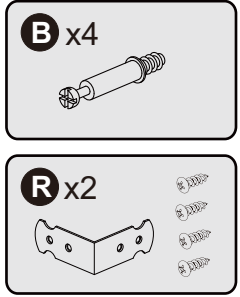
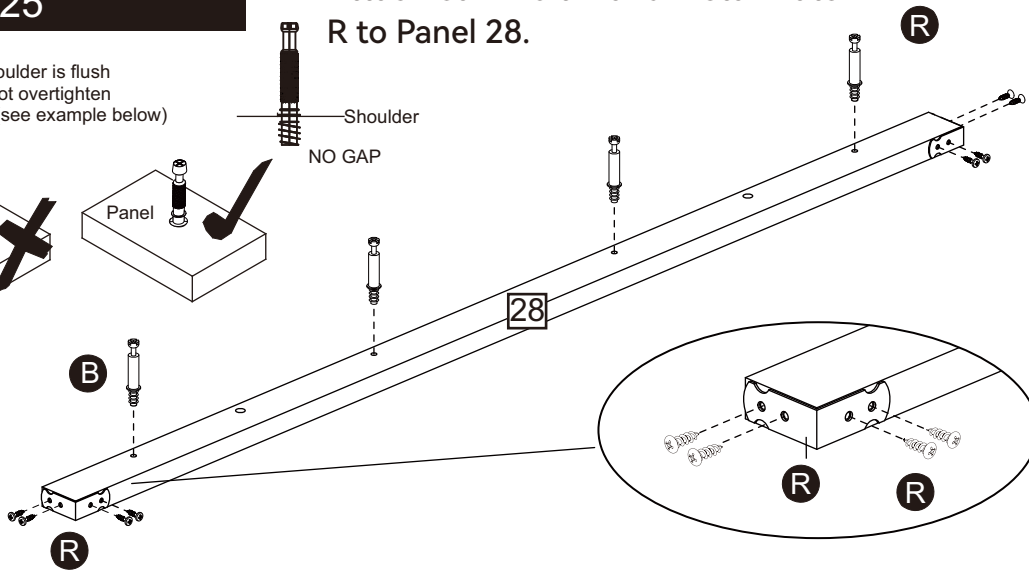
Step 25

CAM-LOCK

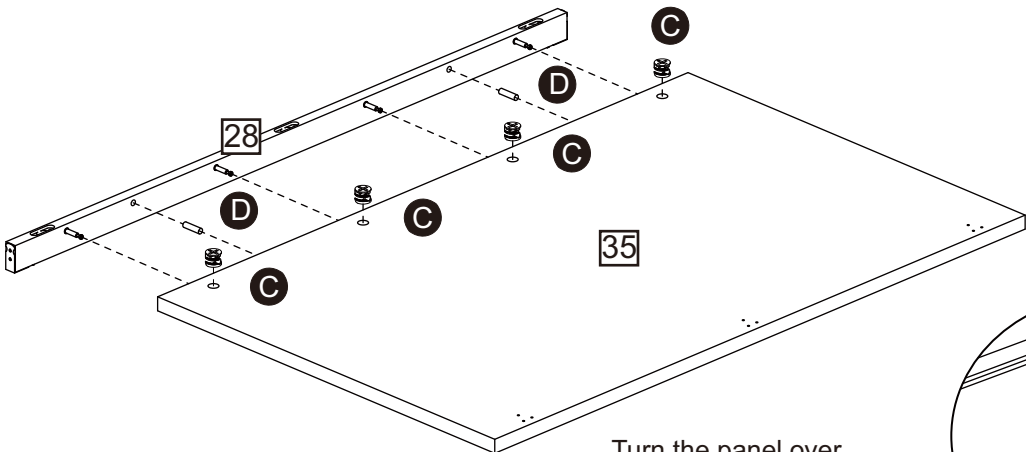
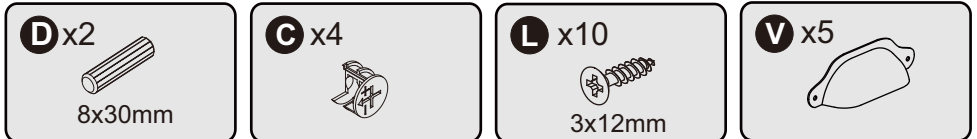
Tighten until shoulder is flush with panel. Do not overtighten or undertighten (see example below)



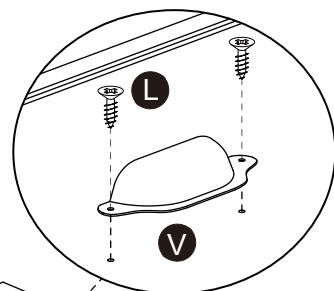
Attach Cam Bolt B and Metal Plate R to Panel 28.



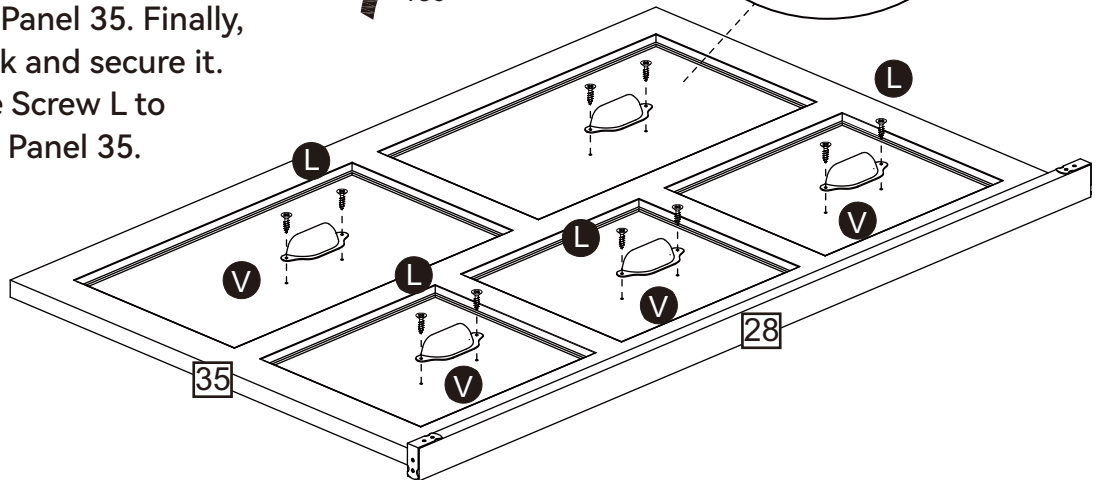
Step 26



Turn the panel over

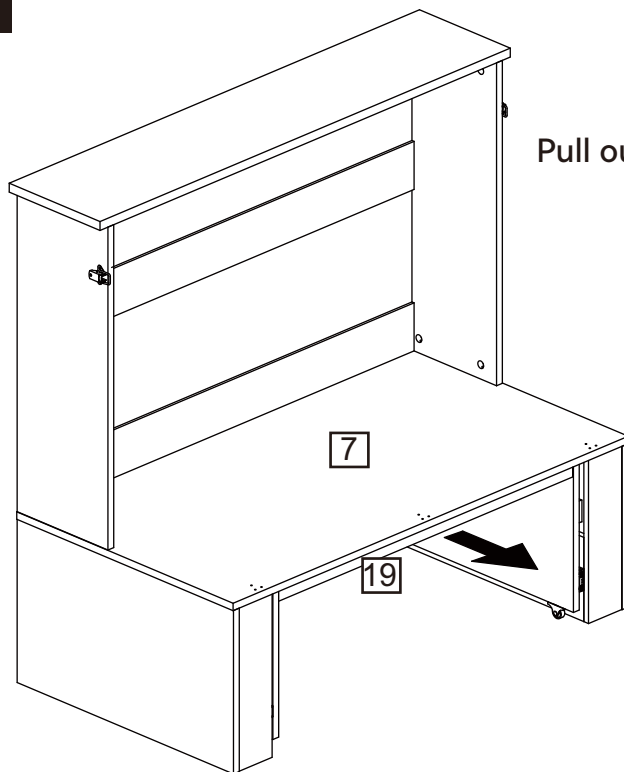


First, insert Wooden Dowel D, then attach Panel 28 to Panel 35. Finally, insert the Cam Lock and secure it. Flip it over and use Screw L to attach Handle V to Panel 35.



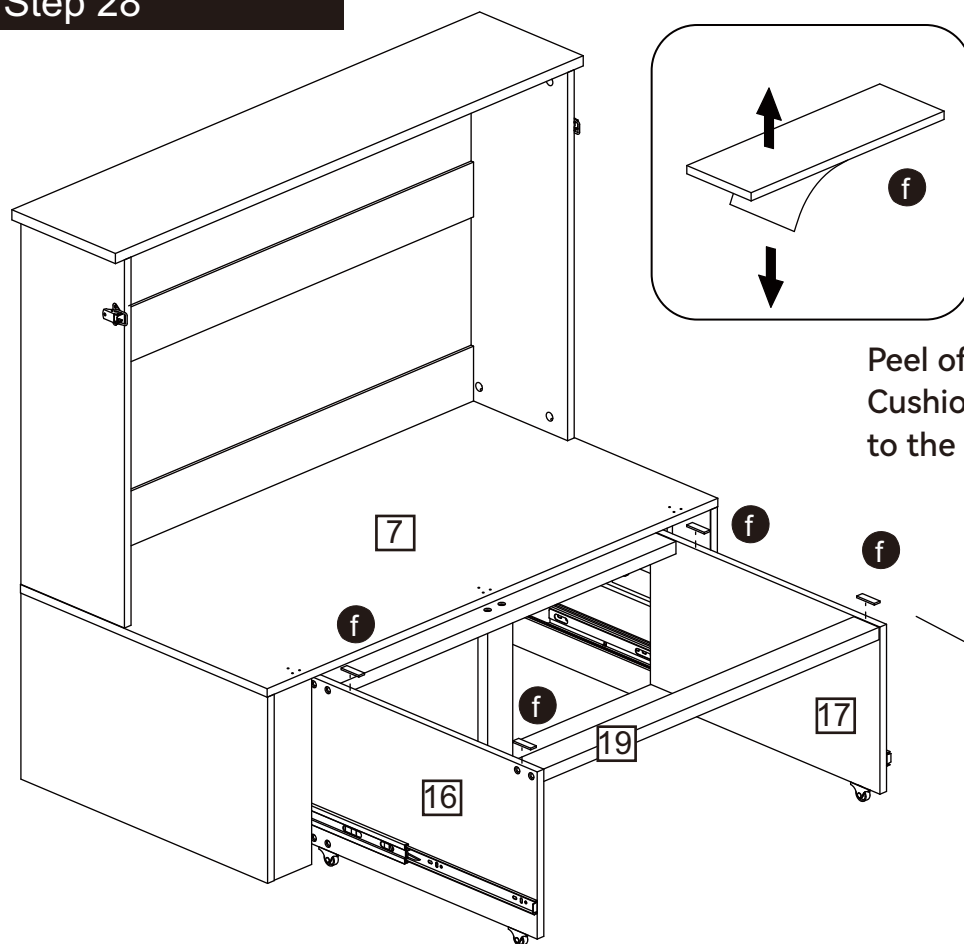
Assembly Instructions

Step 27



Pull out the drawer frame.

Step 28



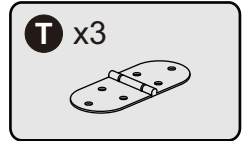
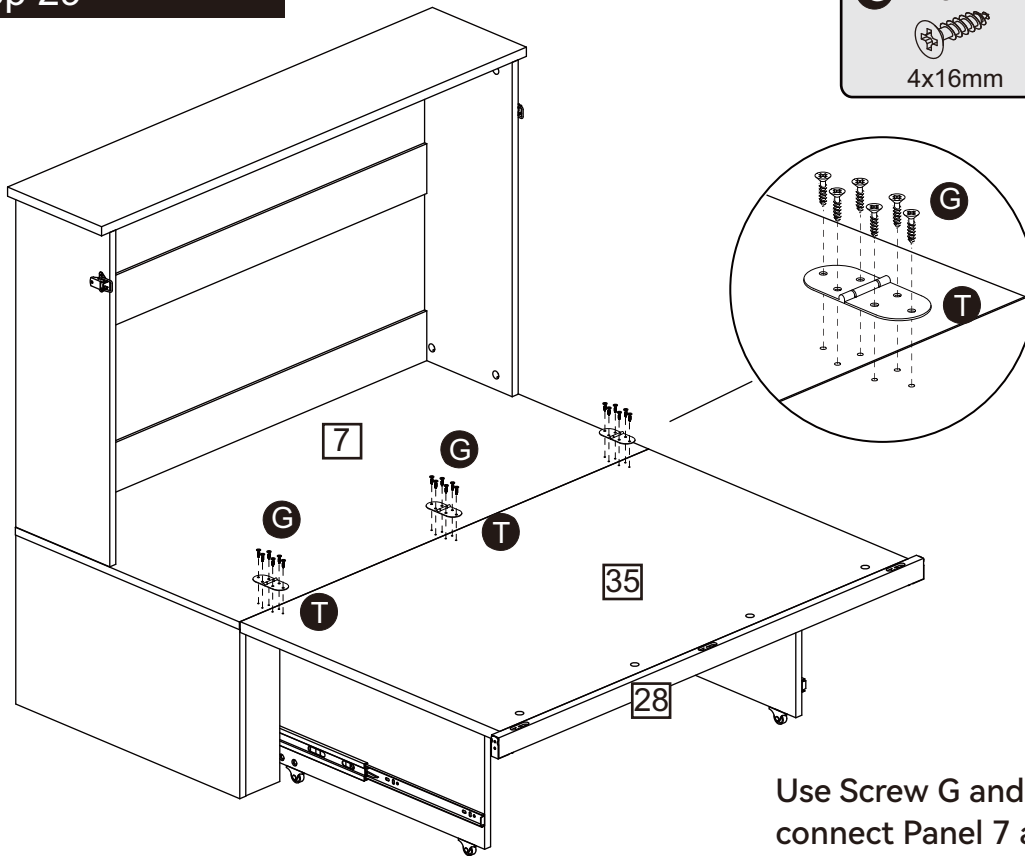
f x4



Peel off the film on the back of Cushion f, then attach the cushion to the position shown in the image.

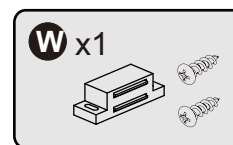
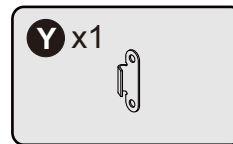
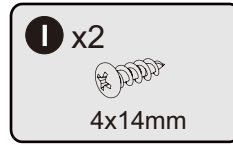
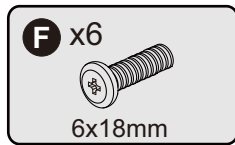
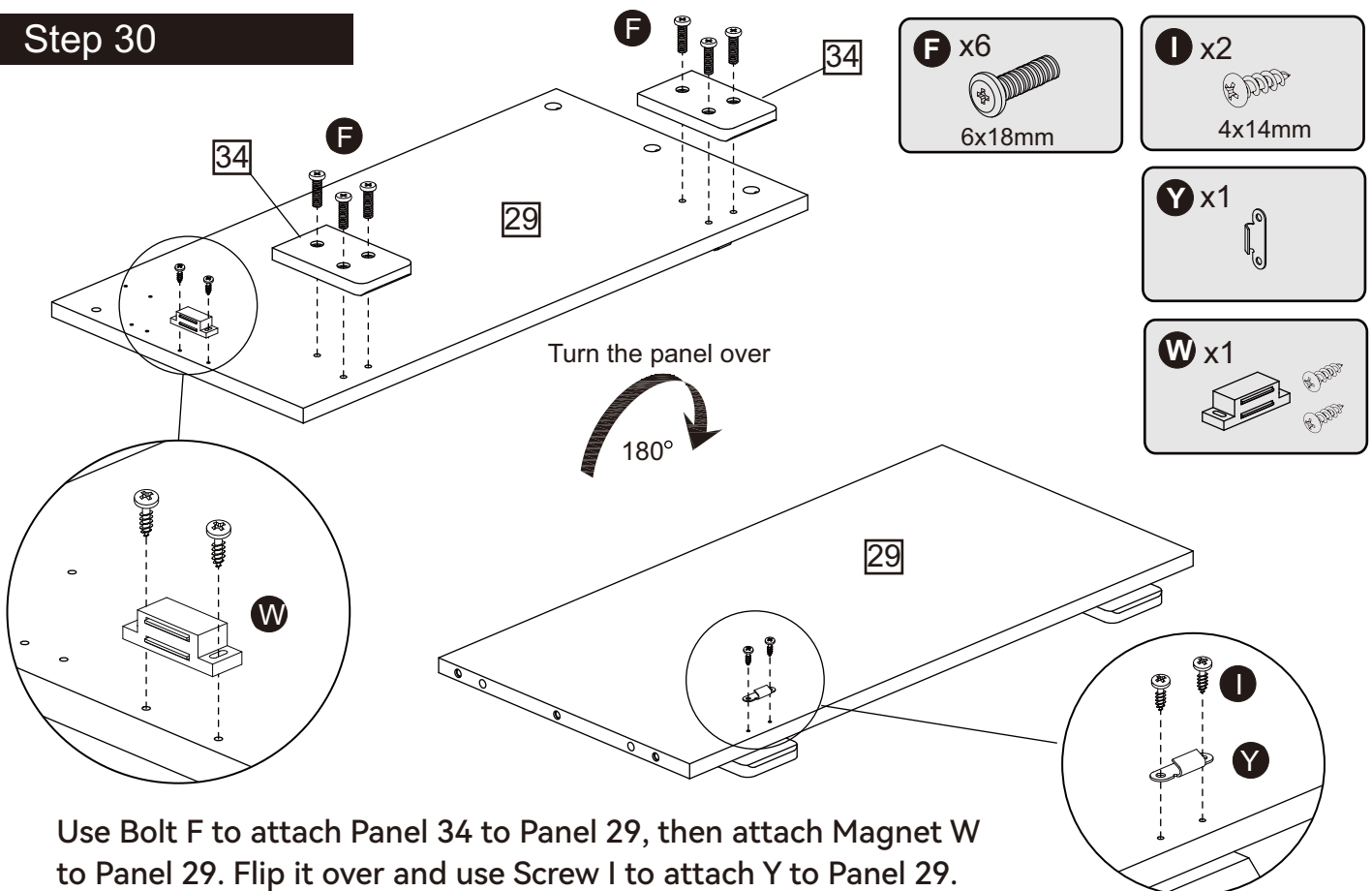
Assembly Instructions

Step 29



Use Screw G and Hinge T to connect Panel 7 and Panel 35.

Step 30



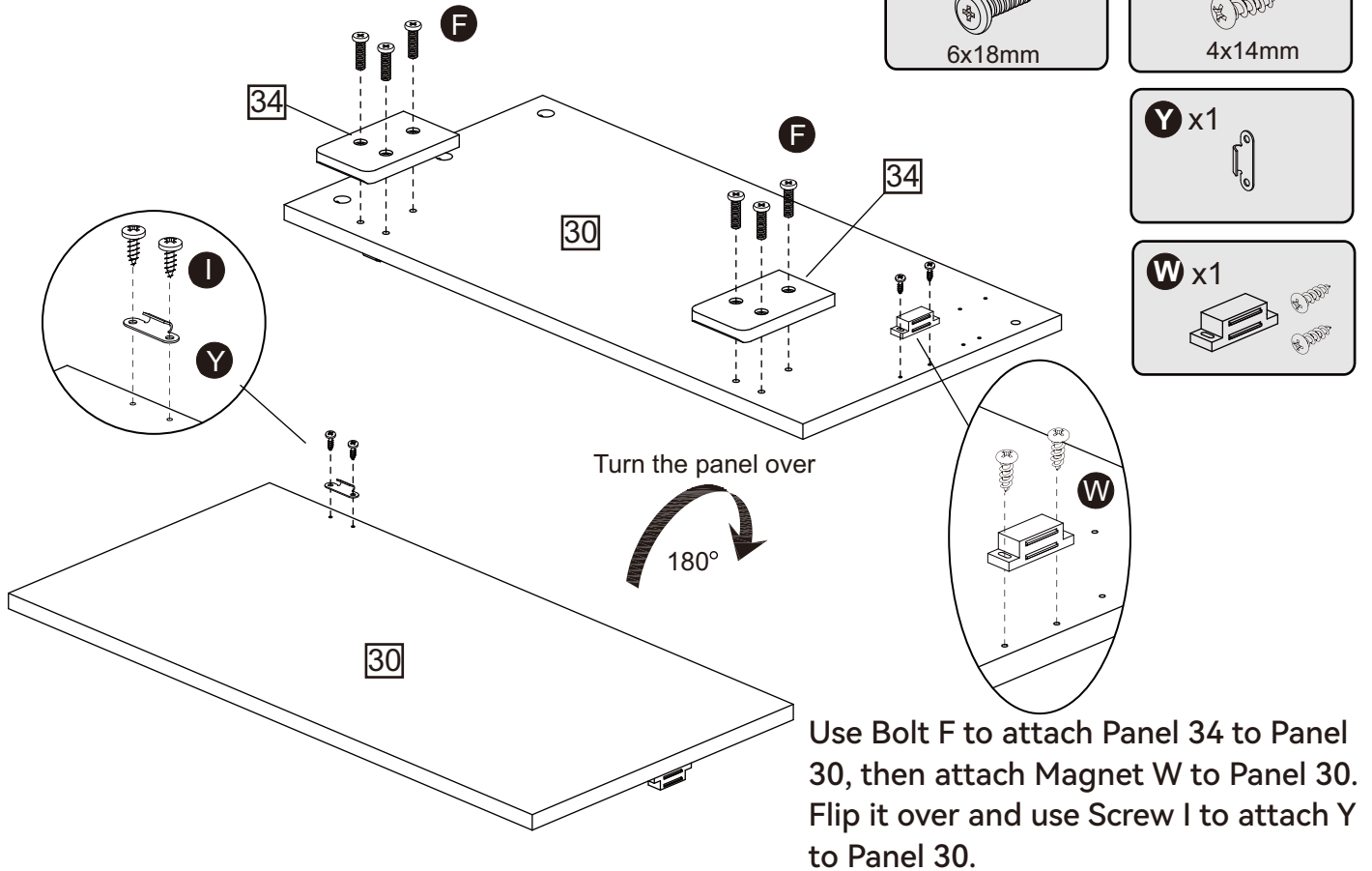
Turn the panel over

180°

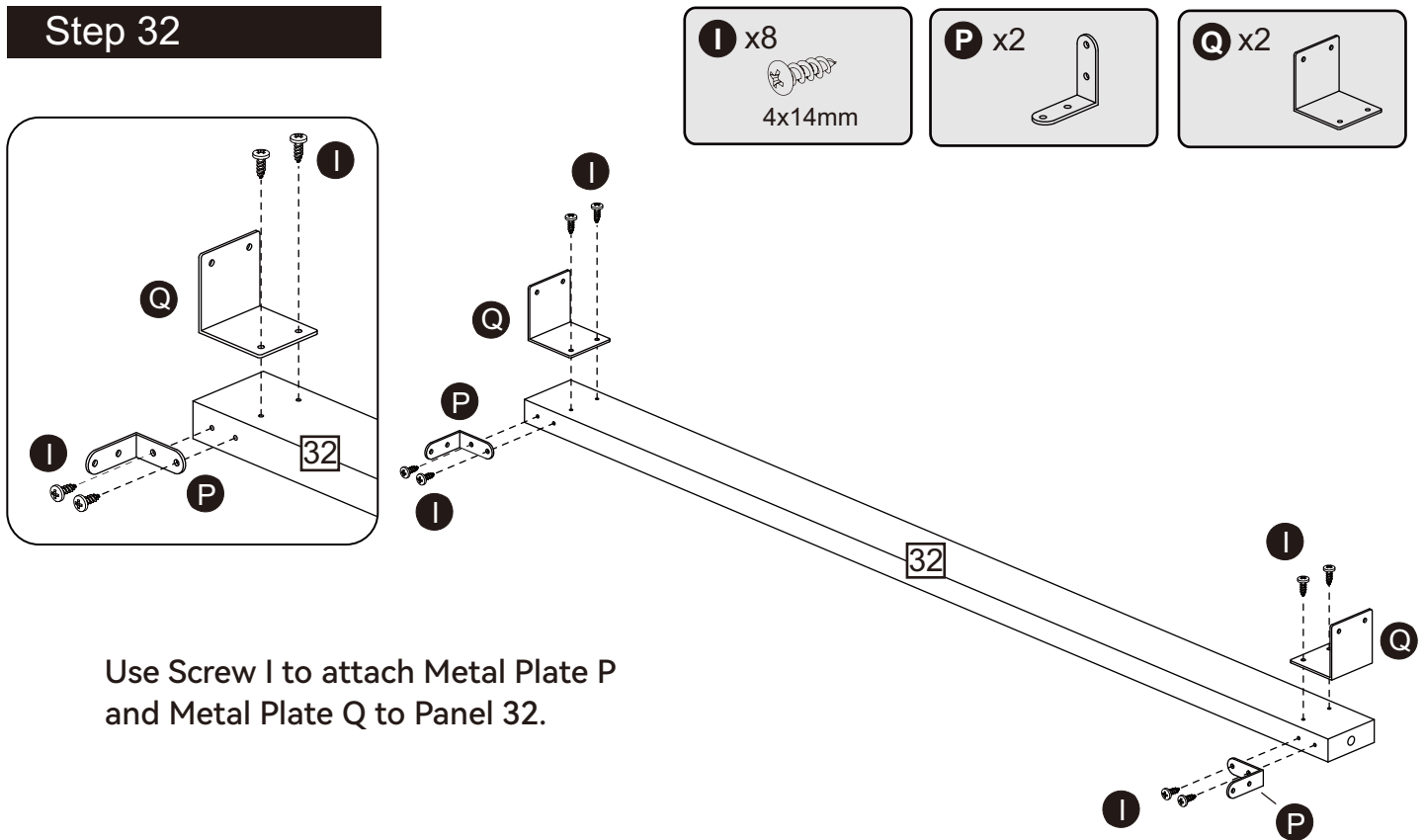
Use Bolt F to attach Panel 34 to Panel 29, then attach Magnet W to Panel 29. Flip it over and use Screw I to attach Y to Panel 29.

Assembly Instructions

Step 31



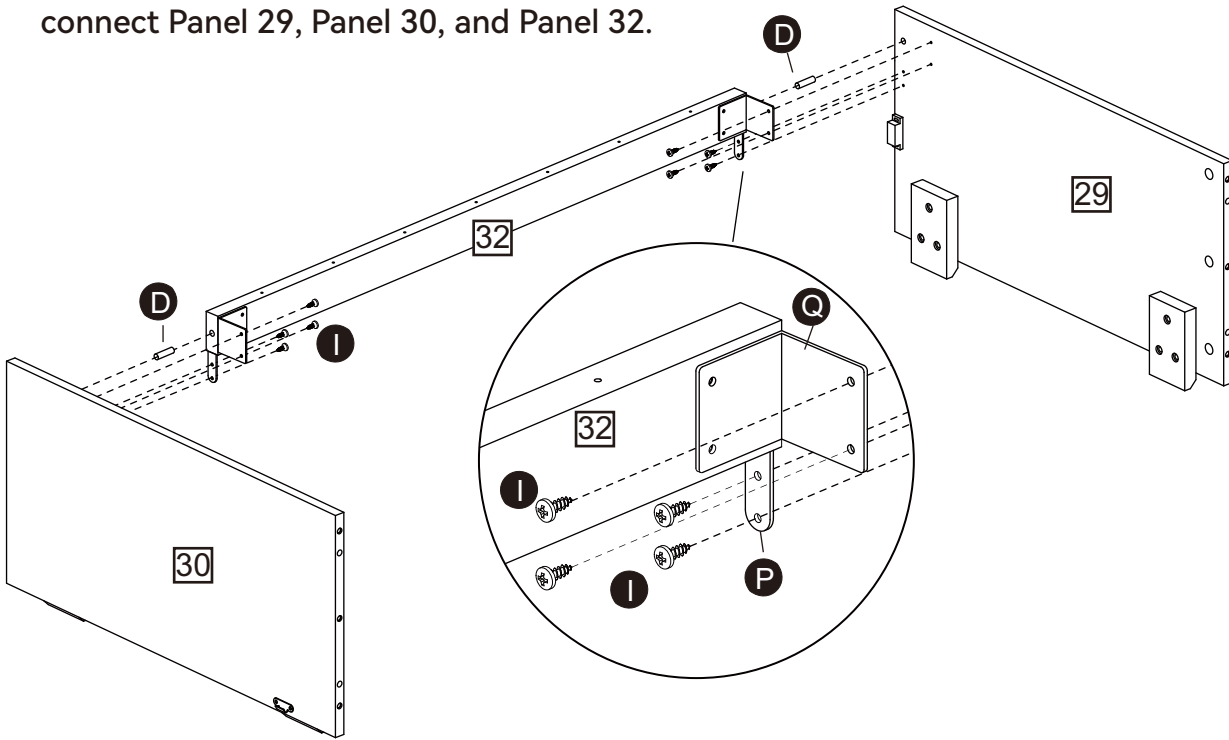
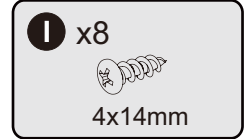
Step 32



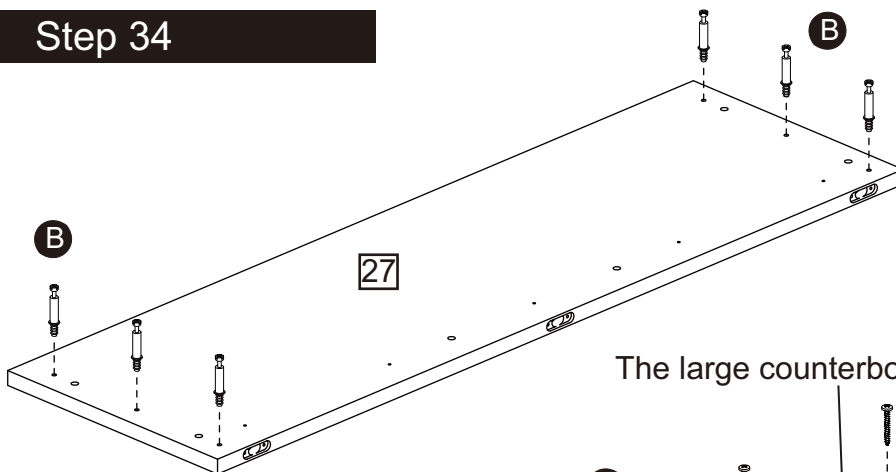
Assembly Instructions

Step 33

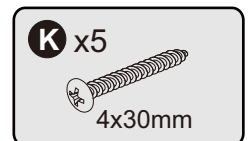
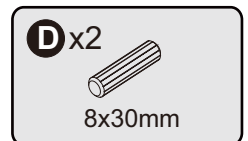
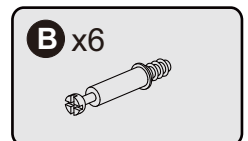
Use Screw I and Wooden Dowel D to connect Panel 29, Panel 30, and Panel 32.



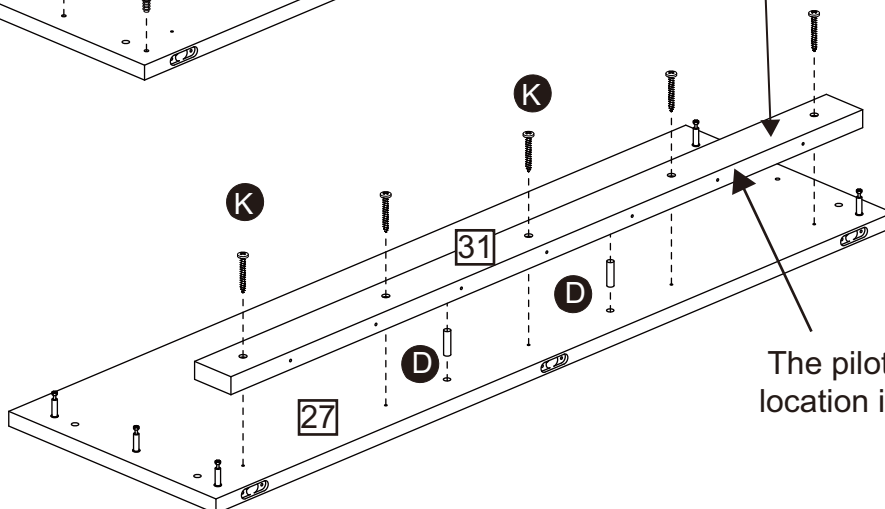
Step 34



The large counterbore is on this side.



Attach Cam Bolt B to Panel 27, then use Screw K and Wooden Dowel D to attach Panel 31 to Panel 27.



The pilot hole location is here.

Assembly Instructions

Step 35

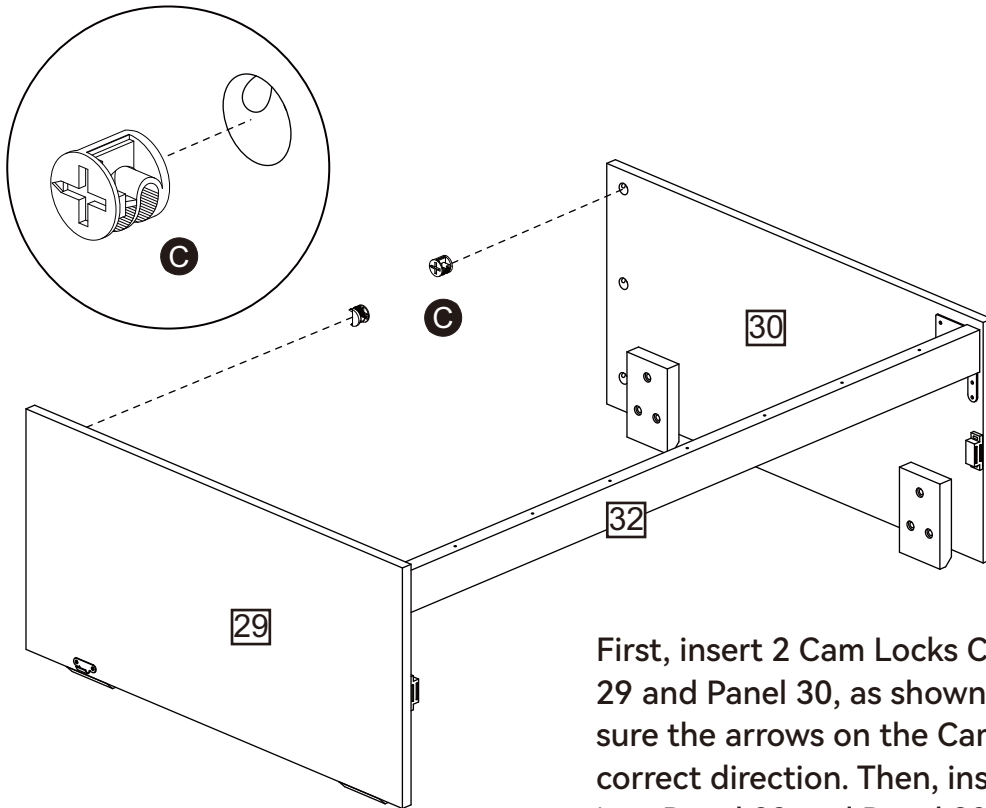
C x6



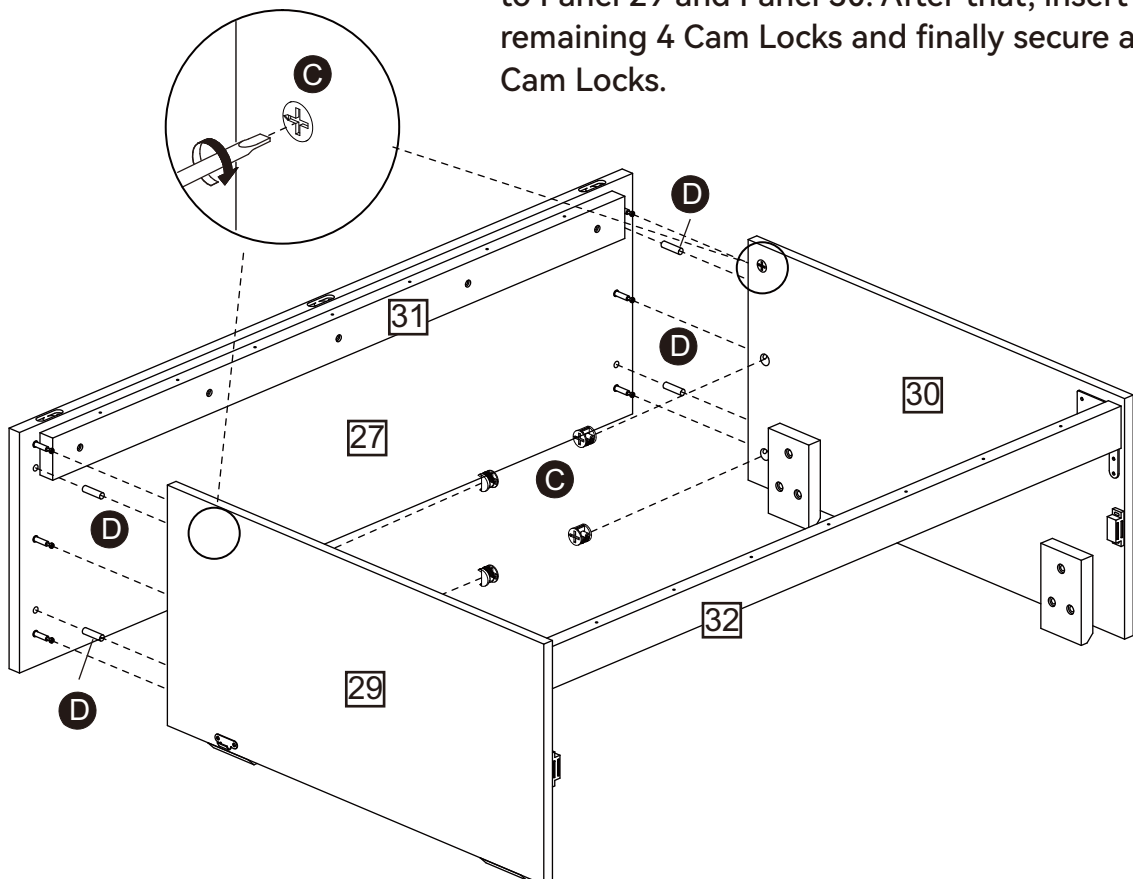
D x4



8x30mm



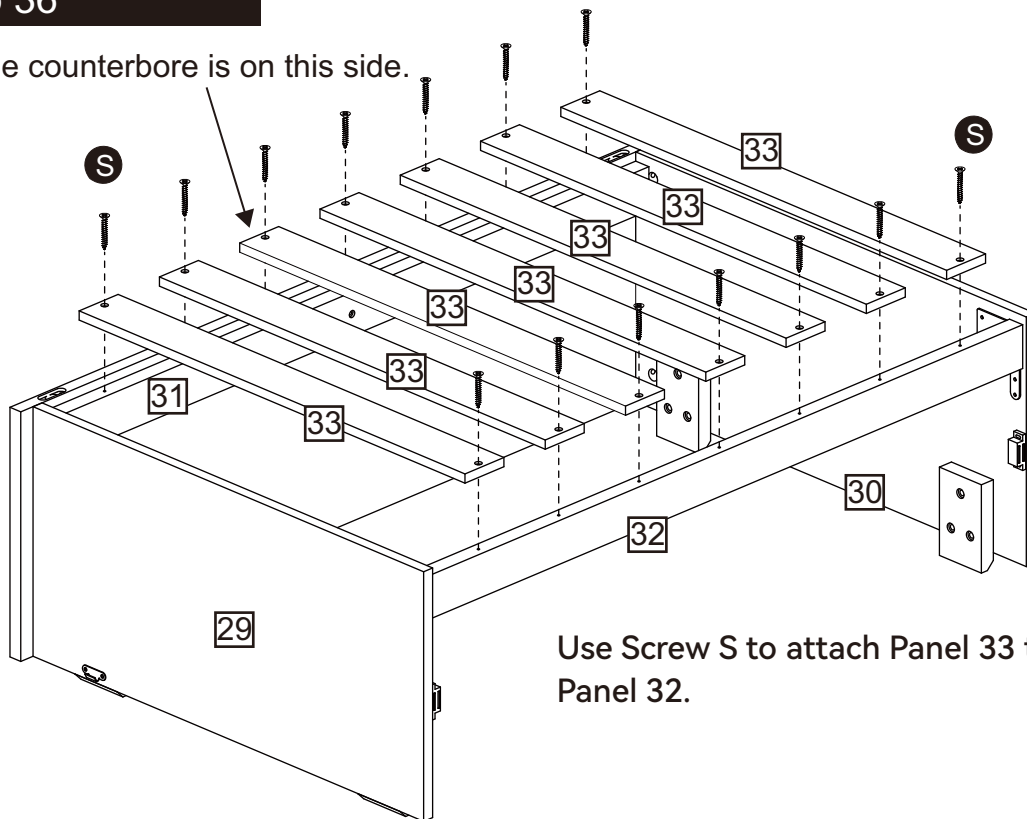
First, insert 2 Cam Locks C into the holes on Panel 29 and Panel 30, as shown in the image. Make sure the arrows on the Cam Locks are facing the correct direction. Then, insert Wooden Dowel A into Panel 29 and Panel 30, and attach Panel 27 to Panel 29 and Panel 30. After that, insert the remaining 4 Cam Locks and finally secure all 6 Cam Locks.



Assembly Instructions

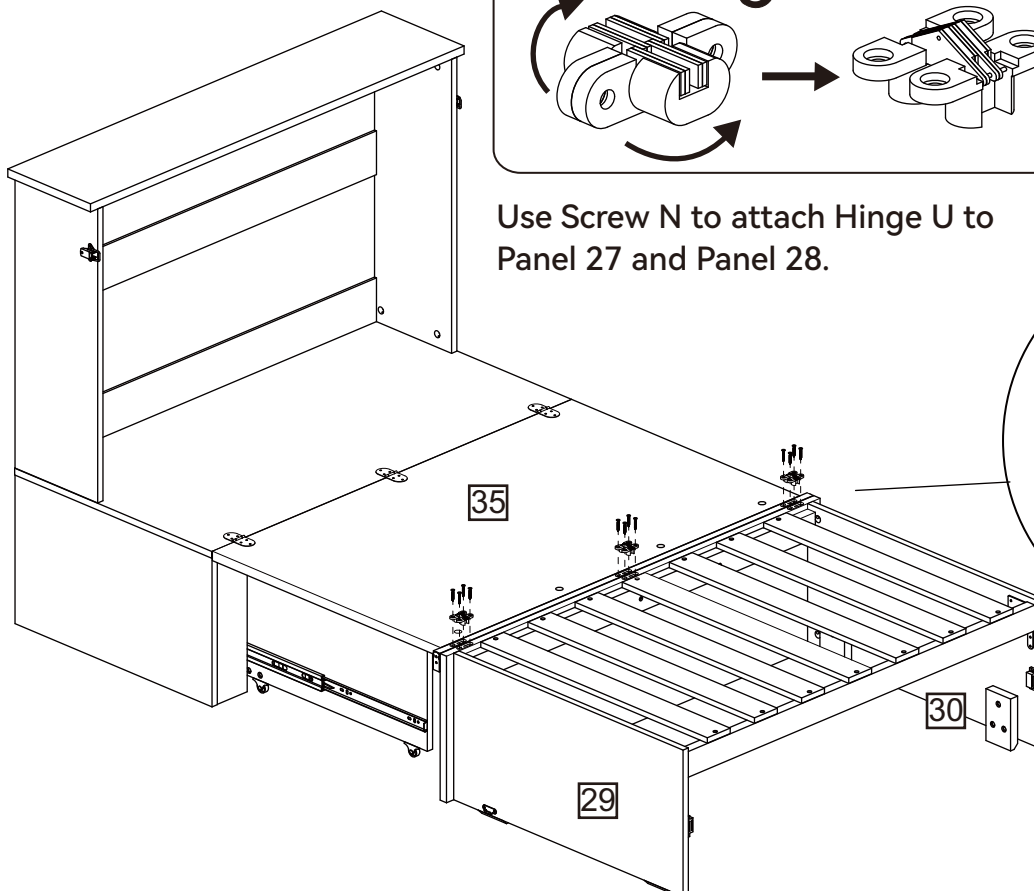
Step 36

The large counterbore is on this side.



Use Screw S to attach Panel 33 to Panel 31 and Panel 32.

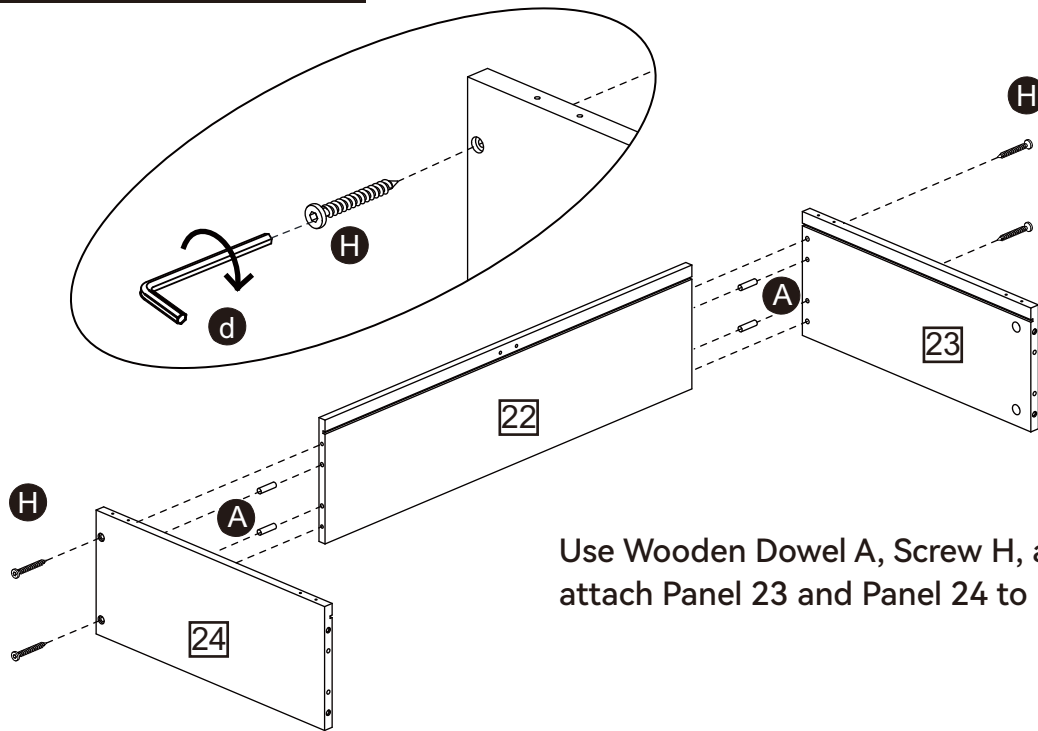
Step 37



Use Screw N to attach Hinge U to Panel 27 and Panel 28.

Assembly Instructions

Step 38



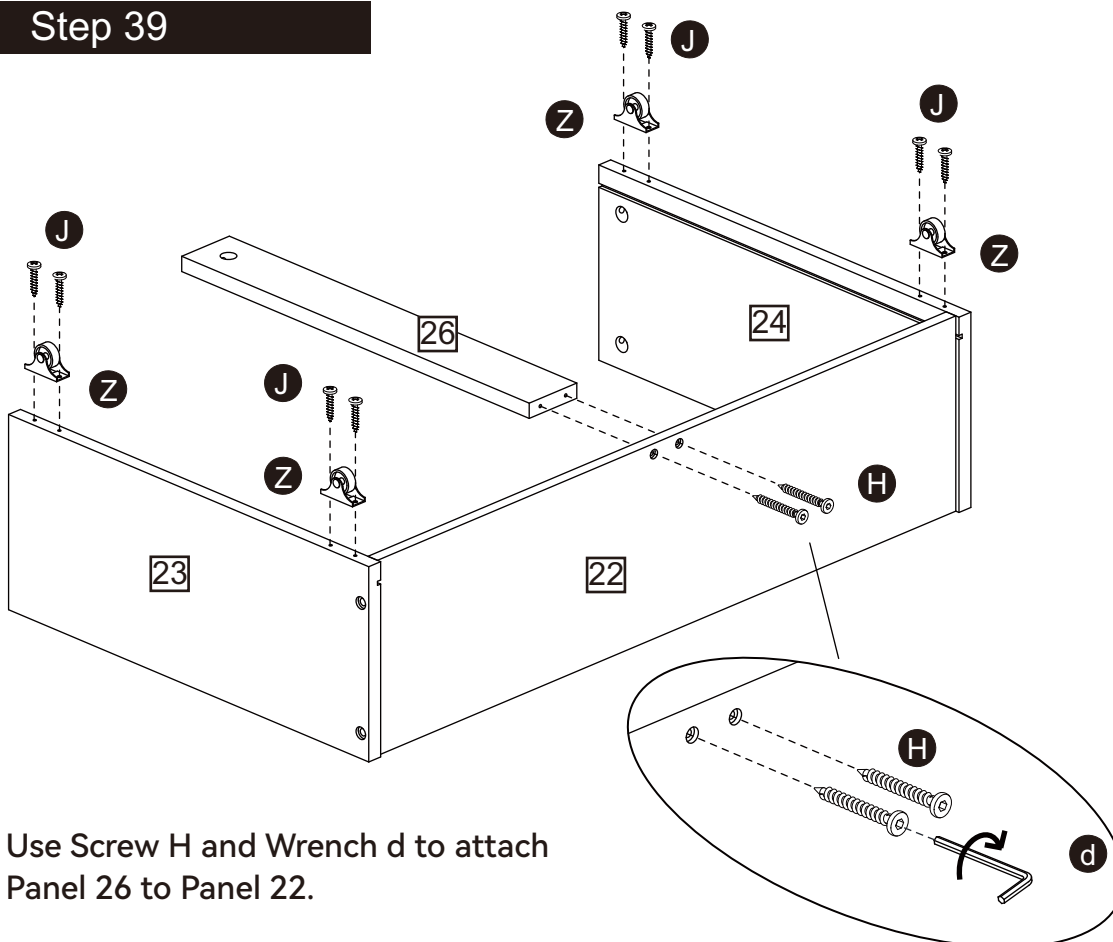
A x4
6x30mm

H x4
5x40mm

d x1

Use Wooden Dowel A, Screw H, and Wrench d to attach Panel 23 and Panel 24 to Panel 22.

Step 39



H x2
5x40mm

J x8
4x14mm

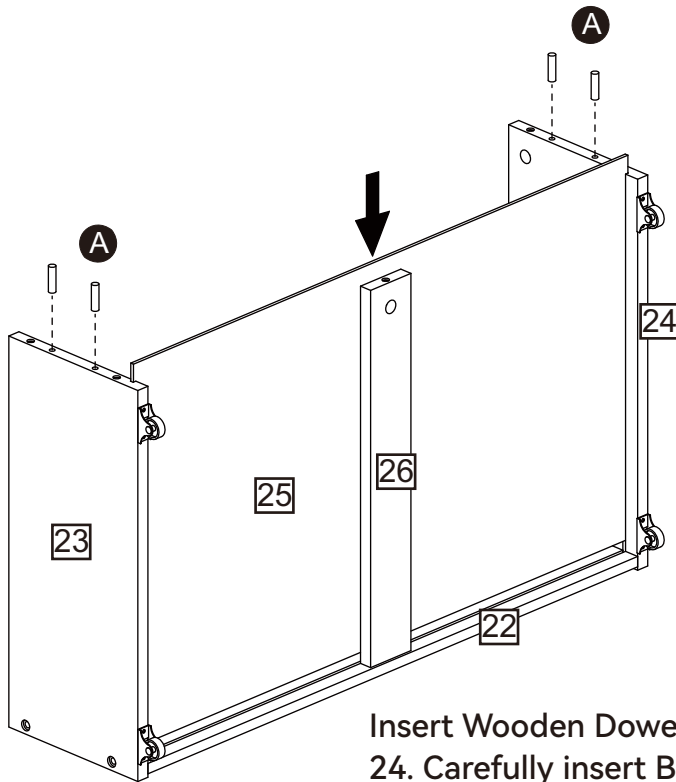
Z x4

d x1

Use Screw H and Wrench d to attach Panel 26 to Panel 22.

Assembly Instructions

Step 40

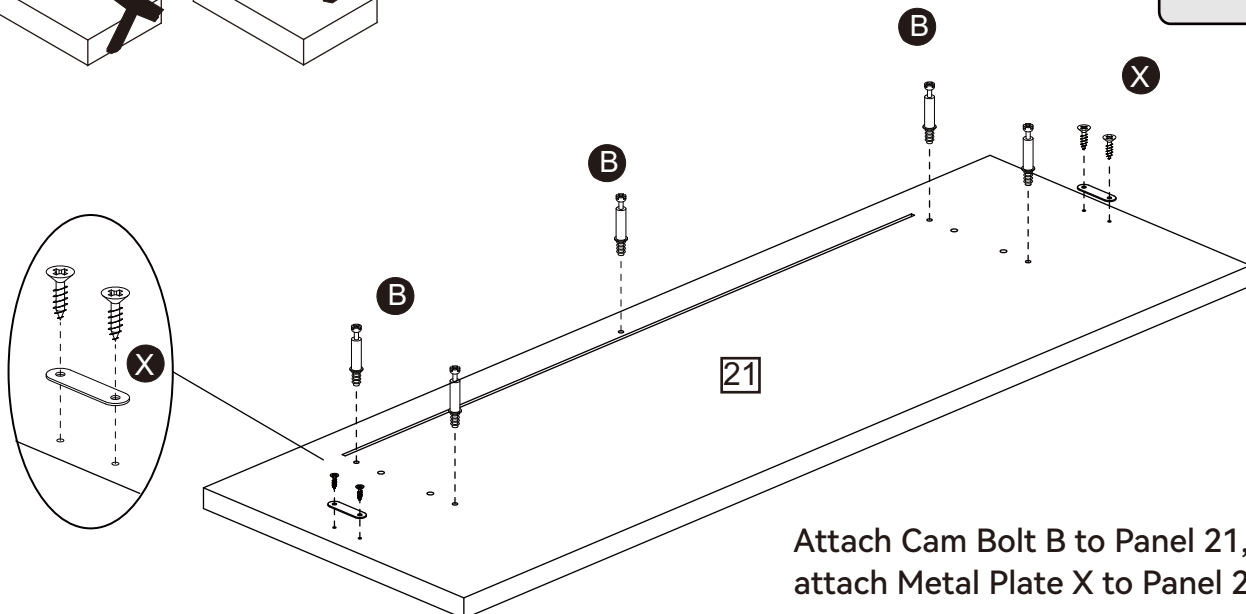
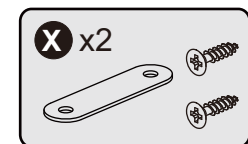
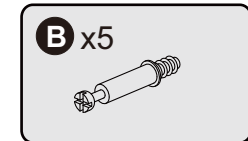
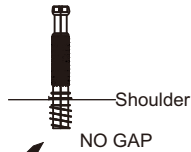
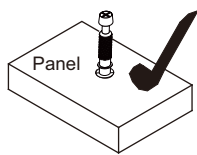
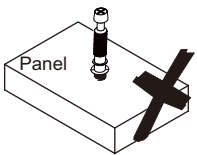


Insert Wooden Dowel A into Panel 23 and Panel 24. Carefully insert Bottom Drawer Panel 25 into the grooves of Panel 22, Panel 23, and Panel 24.

Step 41

CAM-LOCK

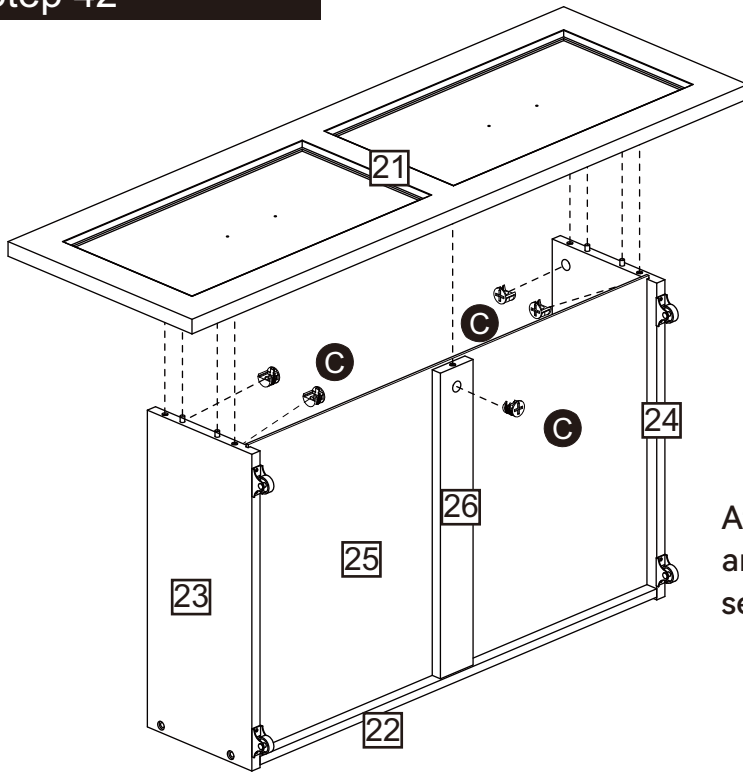
Tighten until shoulder is flush with panel. Do not overtighten or undertighten (see example below)



Attach Cam Bolt B to Panel 21, then attach Metal Plate X to Panel 21.

Assembly Instructions

Step 42

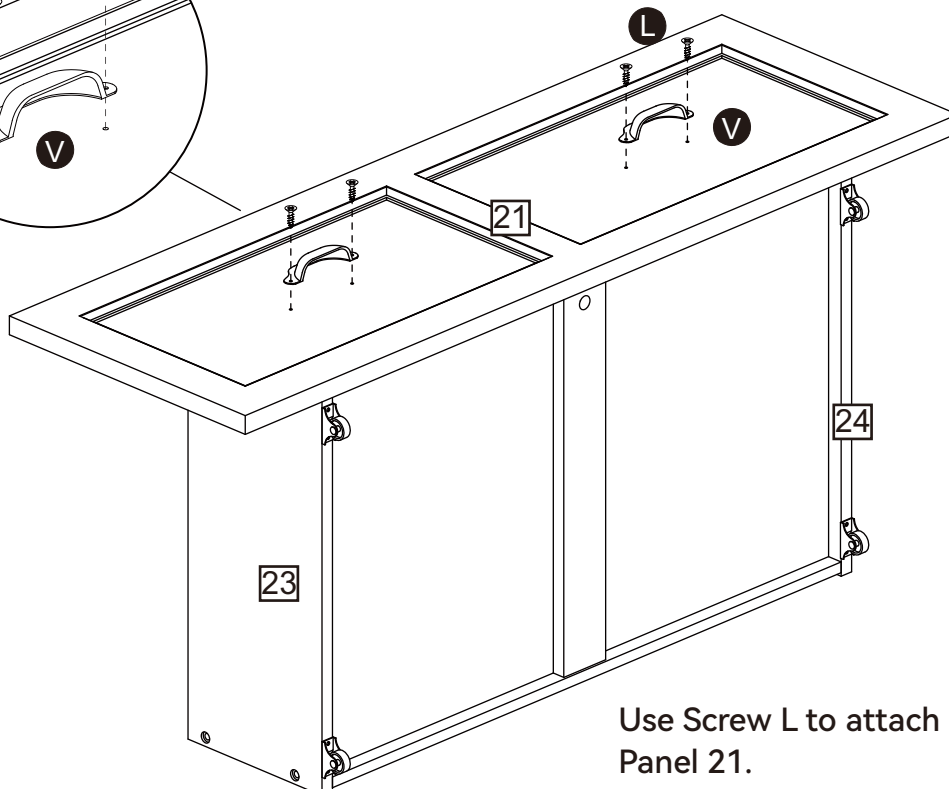
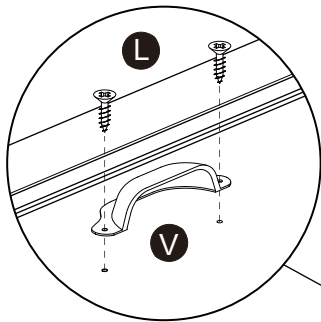


C x5



Attach Panel 21 to Panel 23, Panel 24, and Panel 26, then insert Cam Lock C and secure it.

Step 43



L x4



3x12mm

V x2

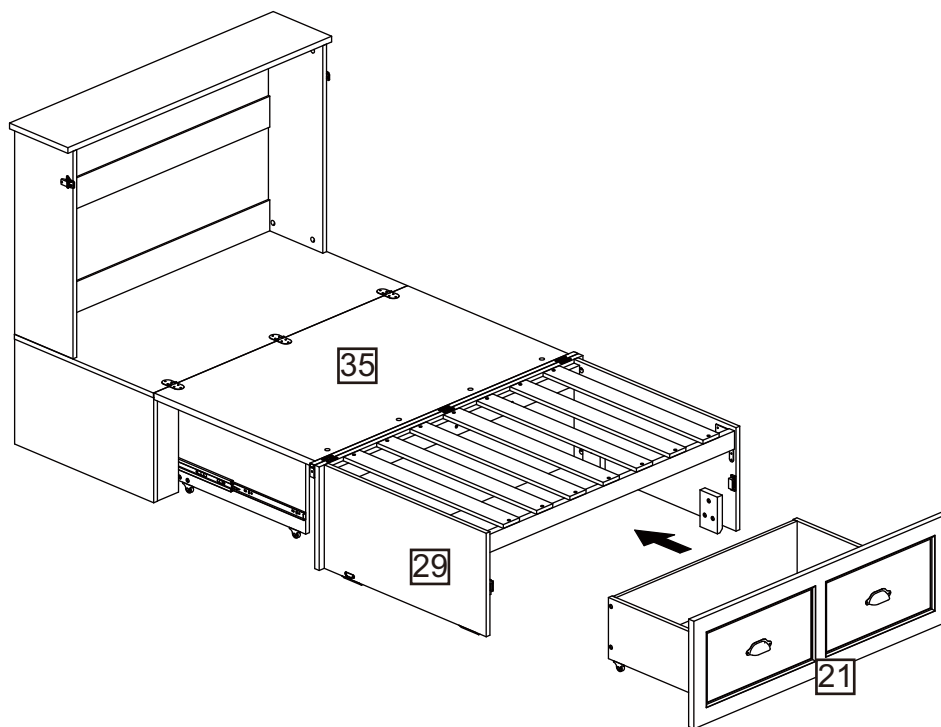


Use Screw L to attach Handle V to Panel 21.

Assembly Instructions

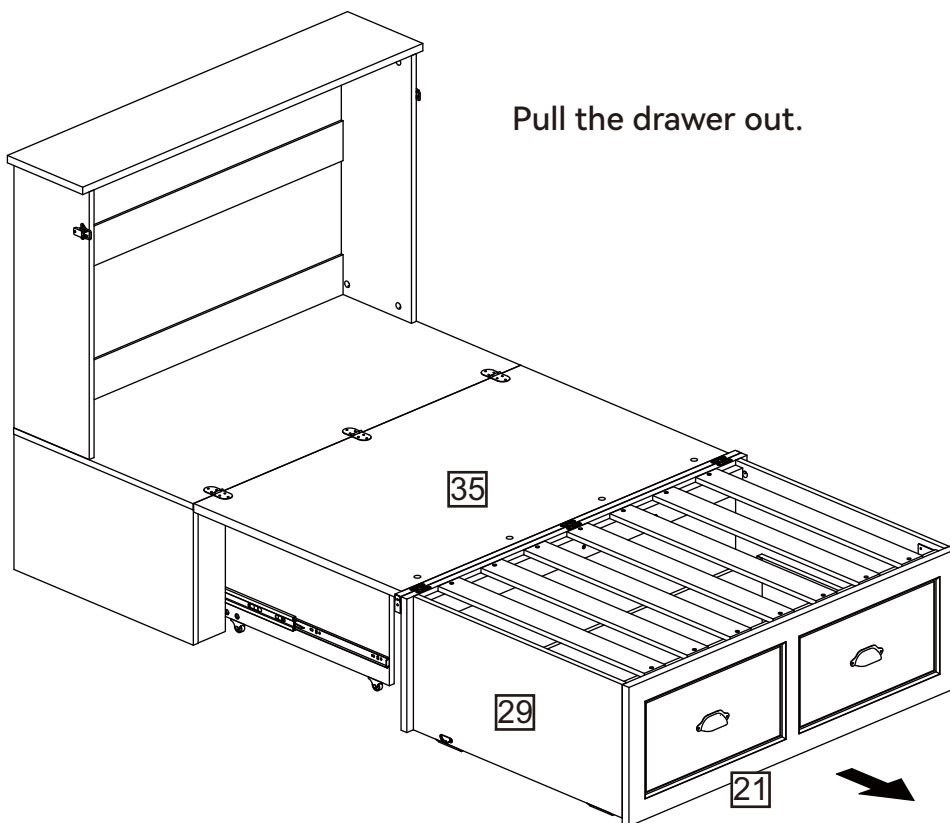
Step 44

Push the drawer into the drawer frame.



Step 45

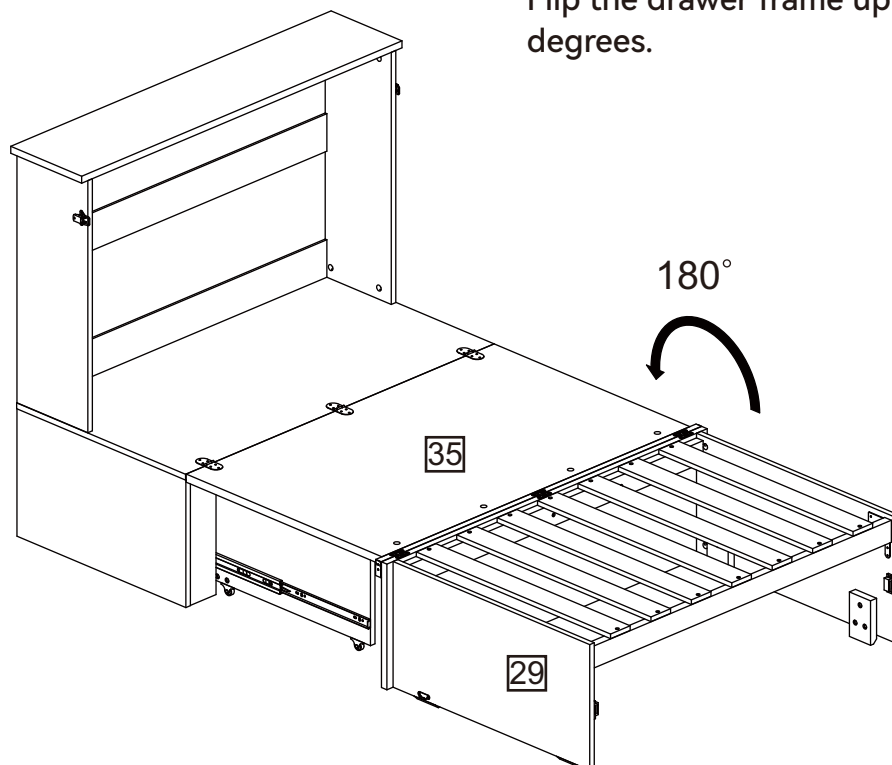
Pull the drawer out.



Assembly Instructions

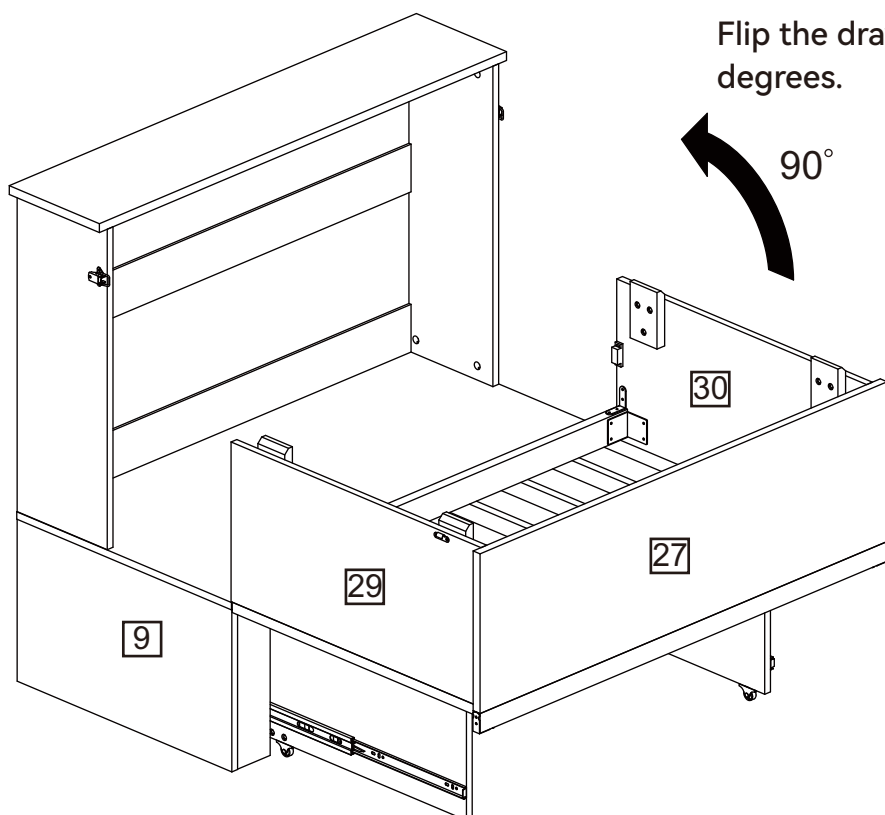
Step 46

Flip the drawer frame upwards by 180 degrees.



Step 47

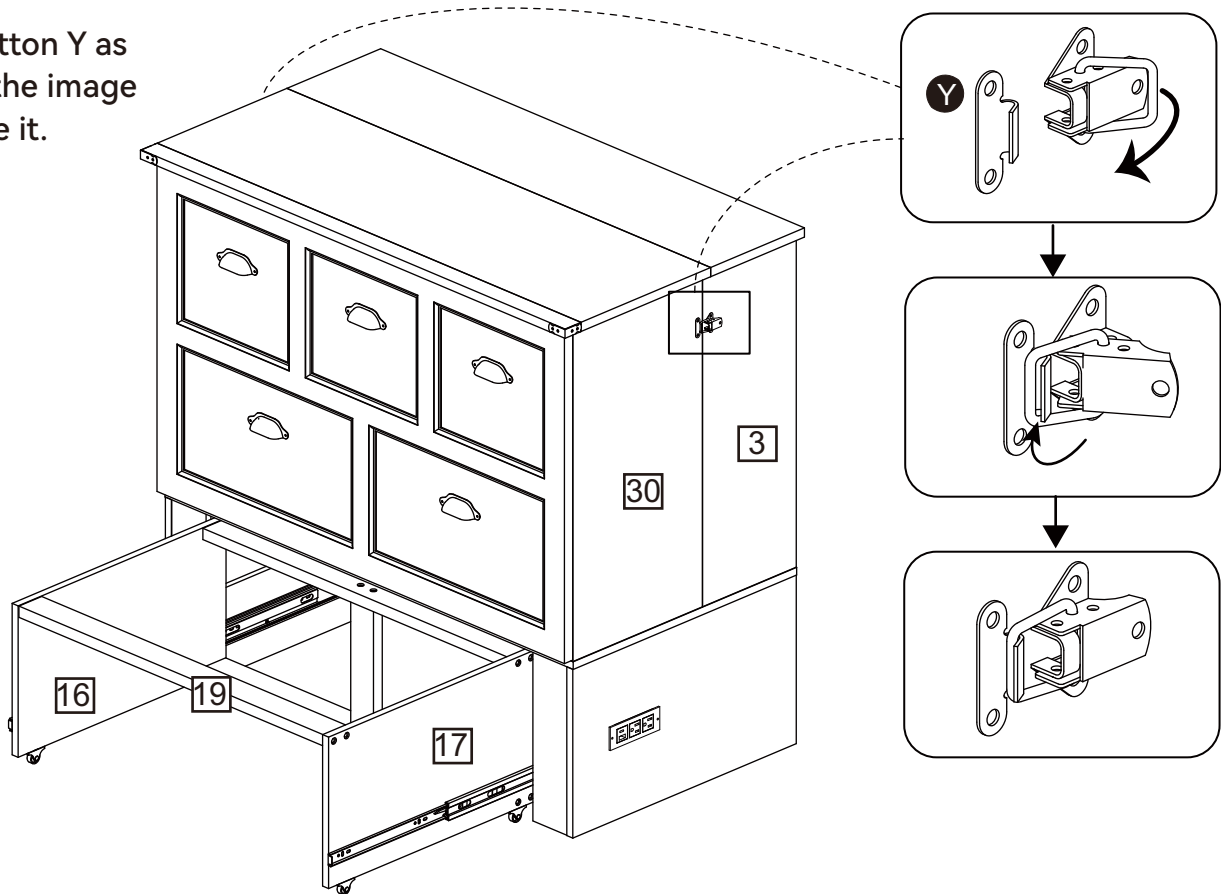
Flip the drawer frame upwards by 90 degrees.



Assembly Instructions

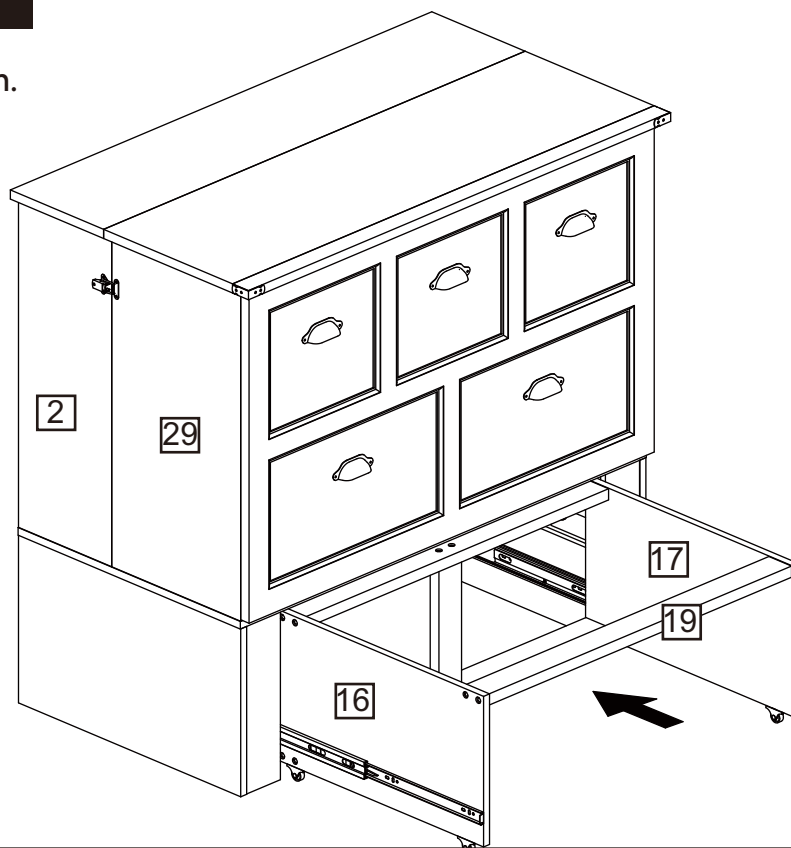
Step 48

Attach Button Y as shown in the image and secure it.



Step 49

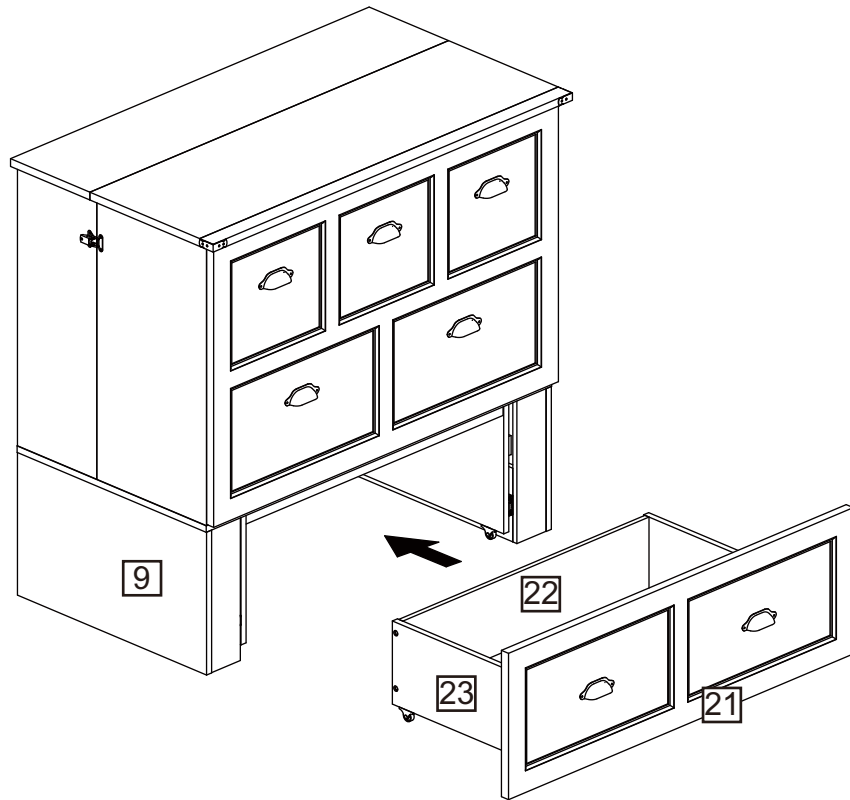
Push the drawer frame in.



Assembly Instructions

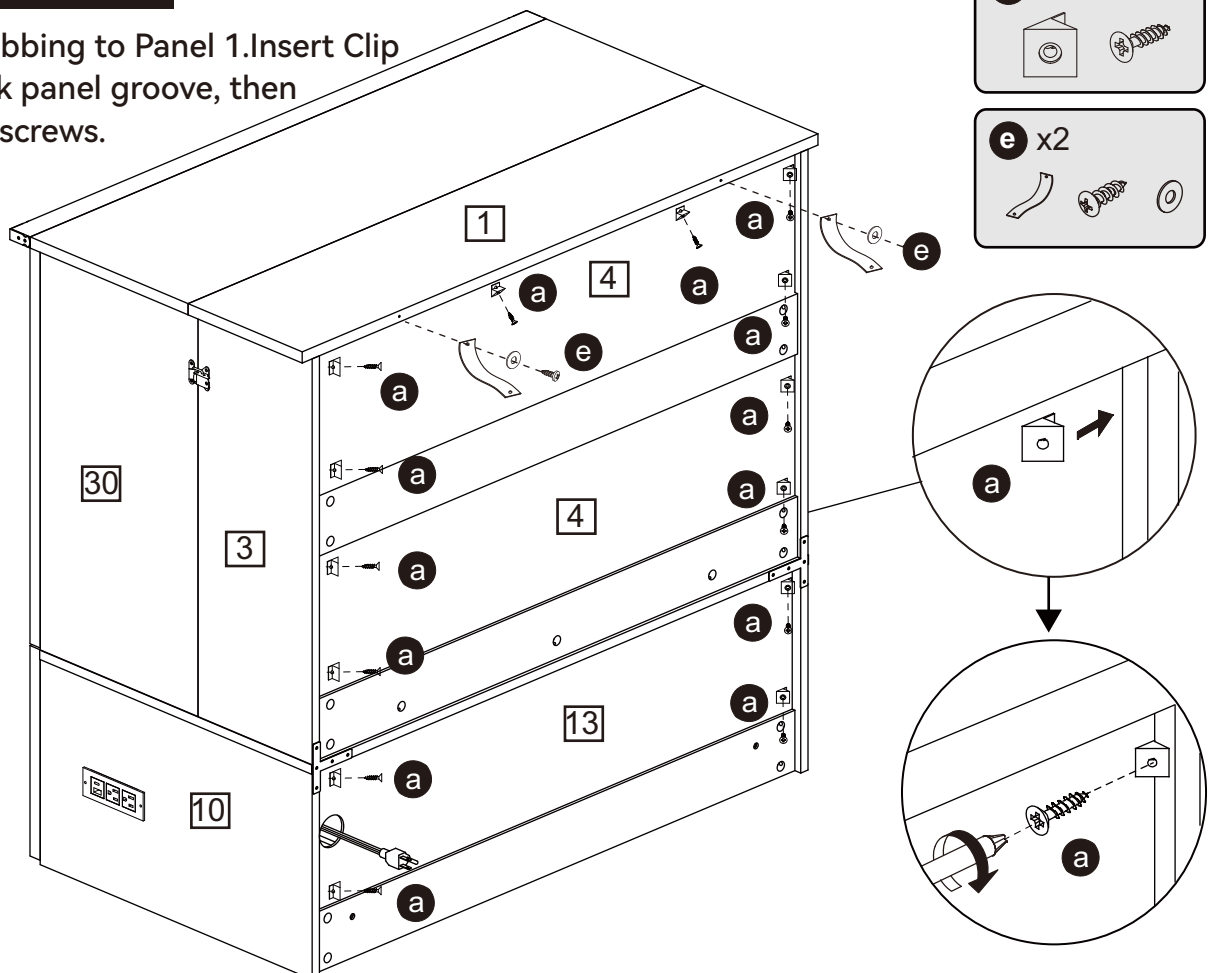
Step 50

Push the drawer into the drawer frame.



Step 51

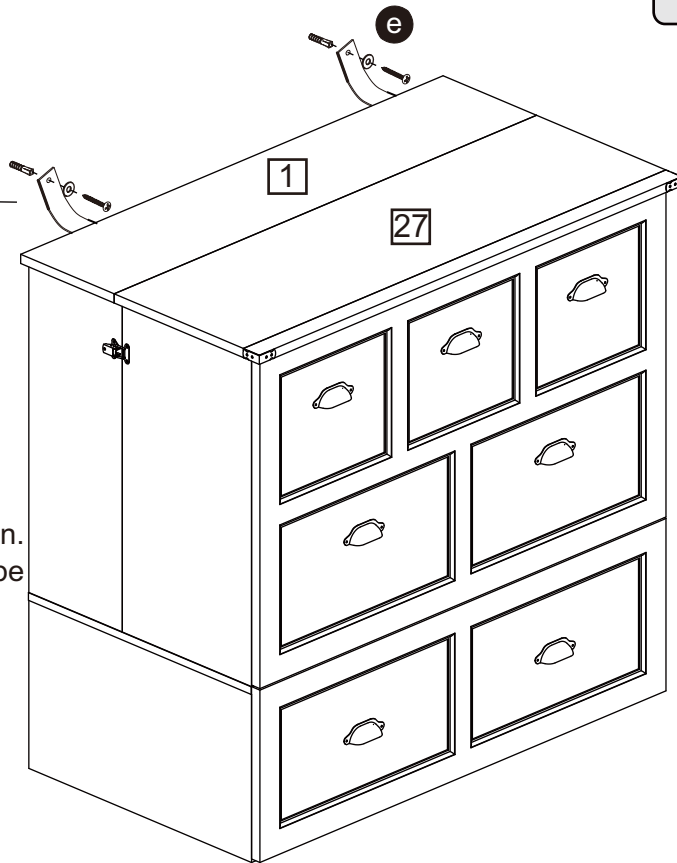
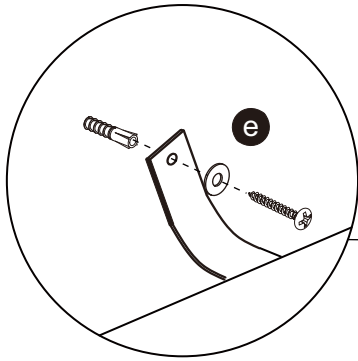
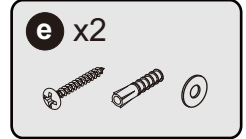
Secure the webbing to Panel 1. Insert Clip a into the back panel groove, then secure it with screws.



Assembly Instructions

Step 52

Please read the Guide to Wall Mounting & Fixings on the last page before executing this step.



The unit is floor standing, but it is recommended that the unit is secured to the wall.

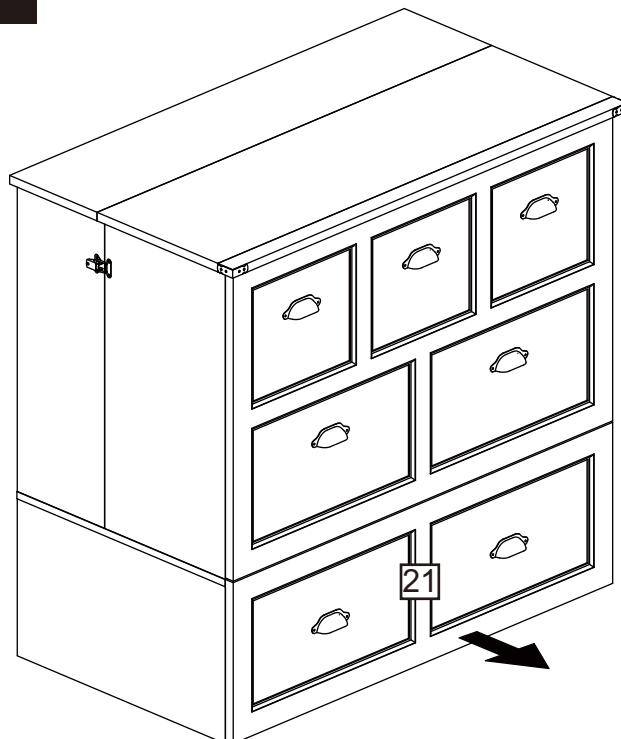
1. Move the unit into desired position.
2. Mark the wall with a suitable scribe the position of the fixing holes.

Warning:
Before drilling, check wall for hidden pipes and cables.



3. Drill holes and insert wall plug.
4. Attach strap(e) to the wall.

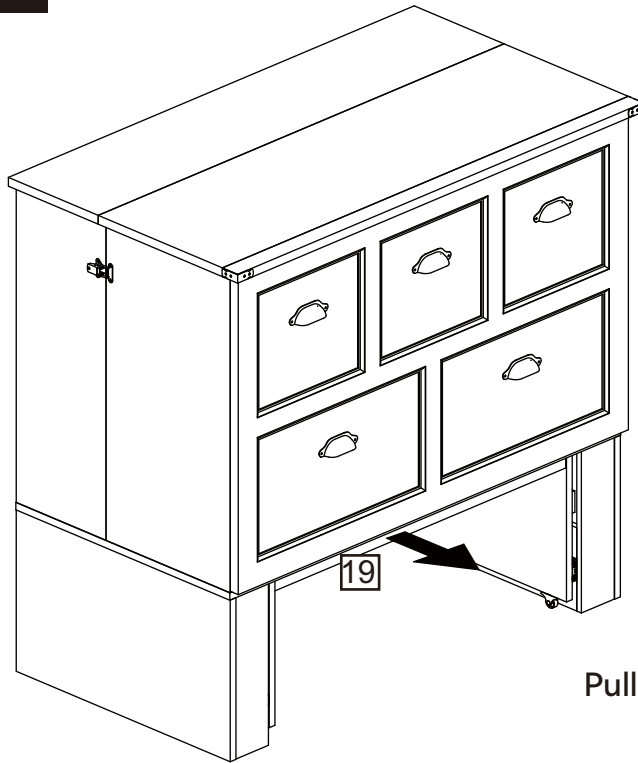
Step 53



Pull the drawer out.

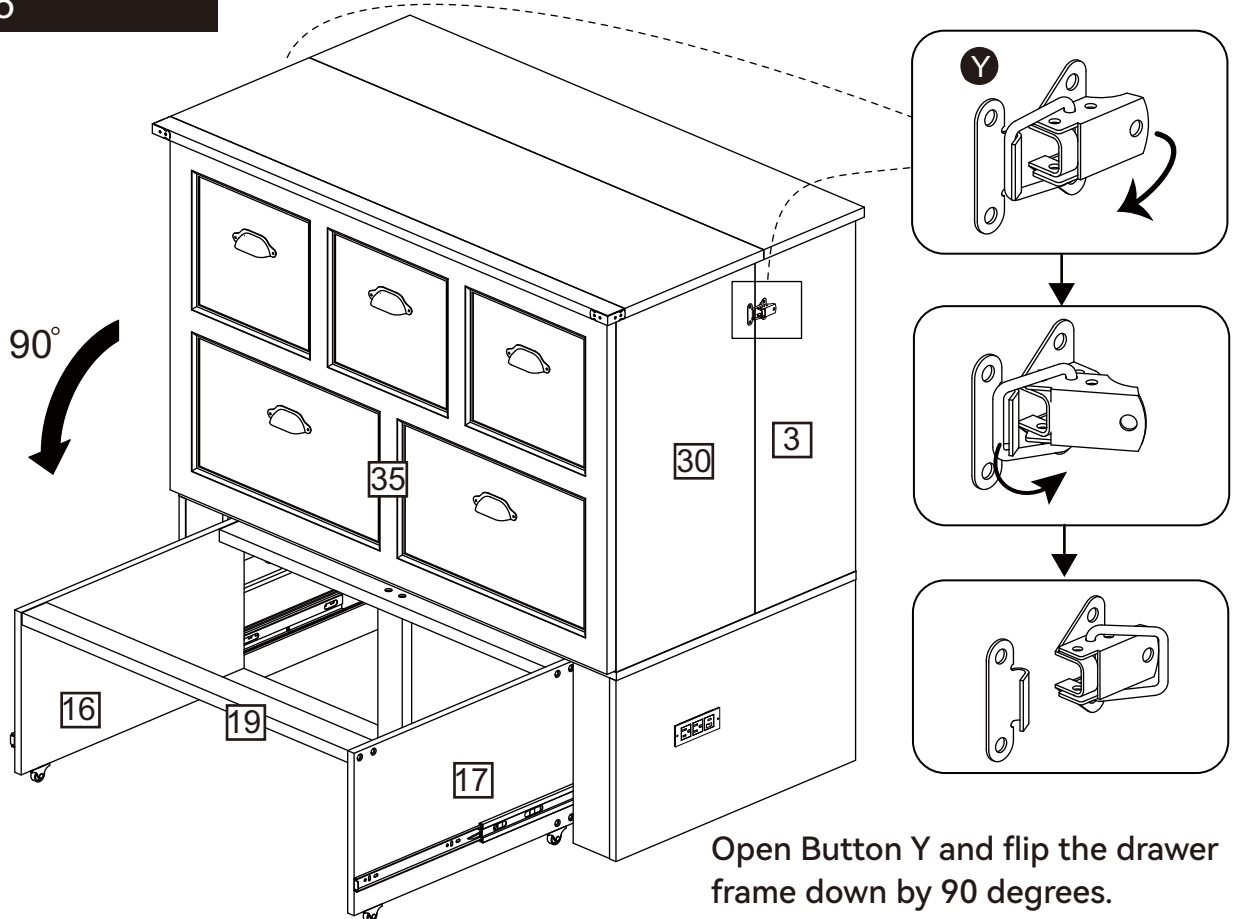
Assembly Instructions

Step 54



Pull the drawer frame out.

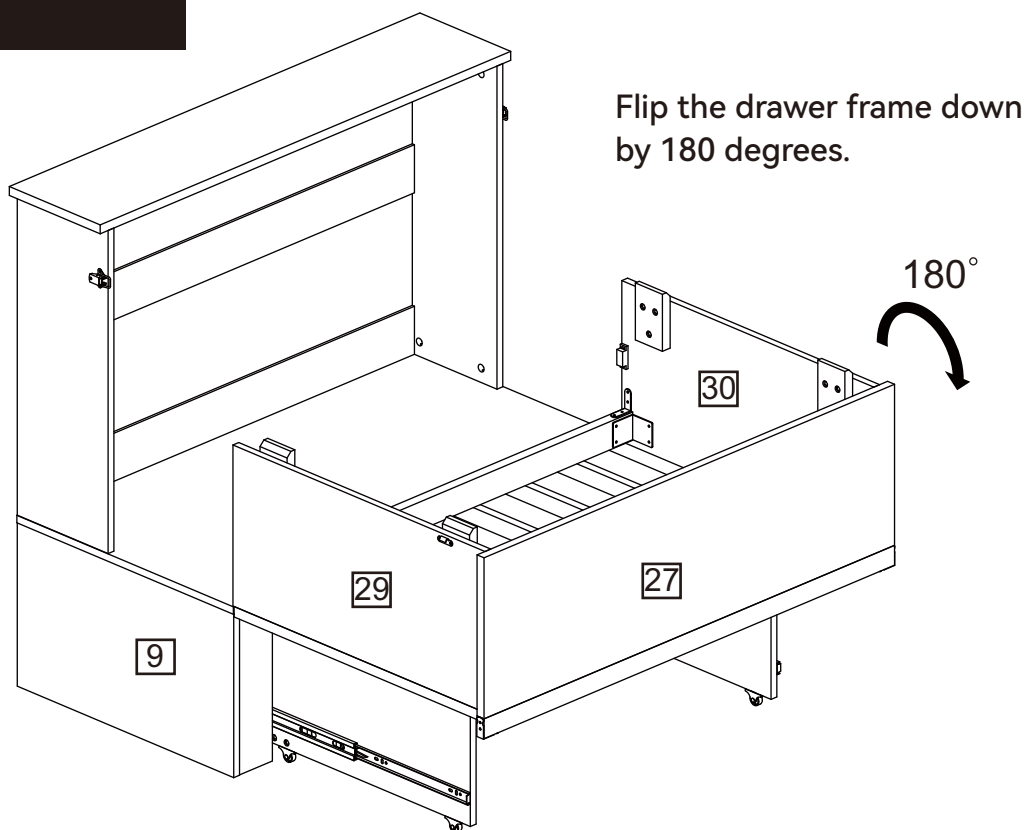
Step 55



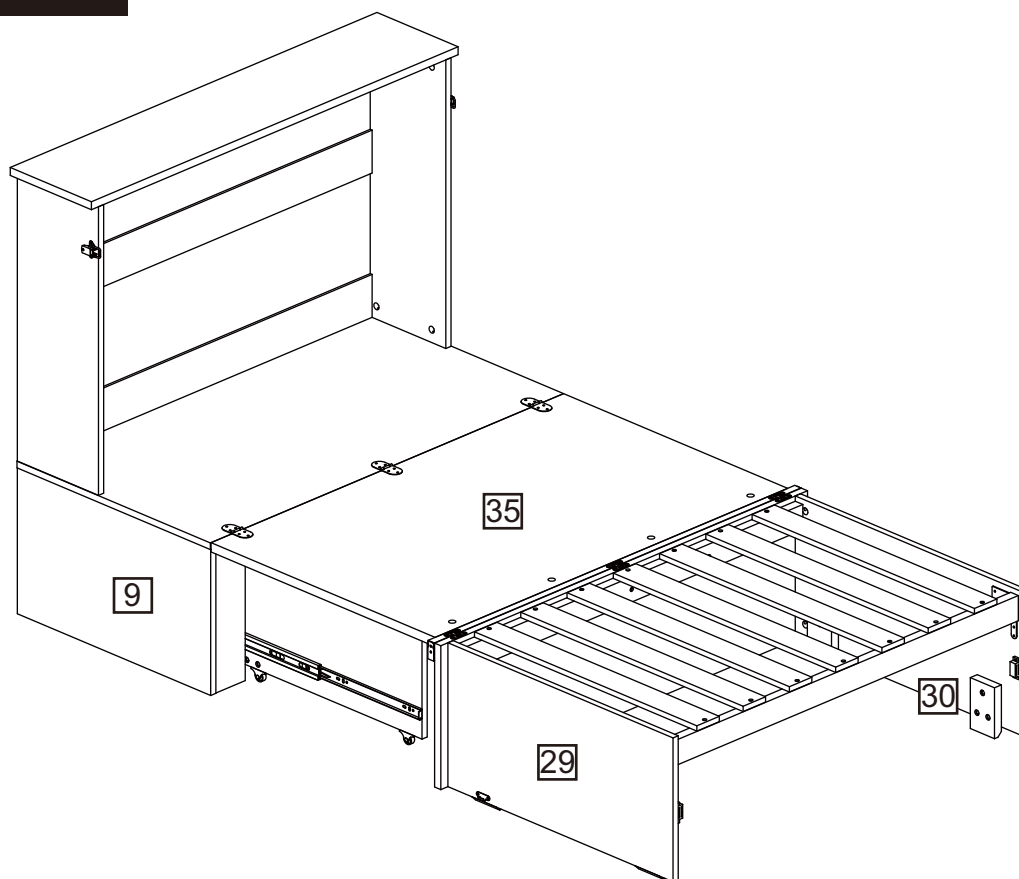
Open Button Y and flip the drawer frame down by 90 degrees.

Assembly Instructions

Step 56

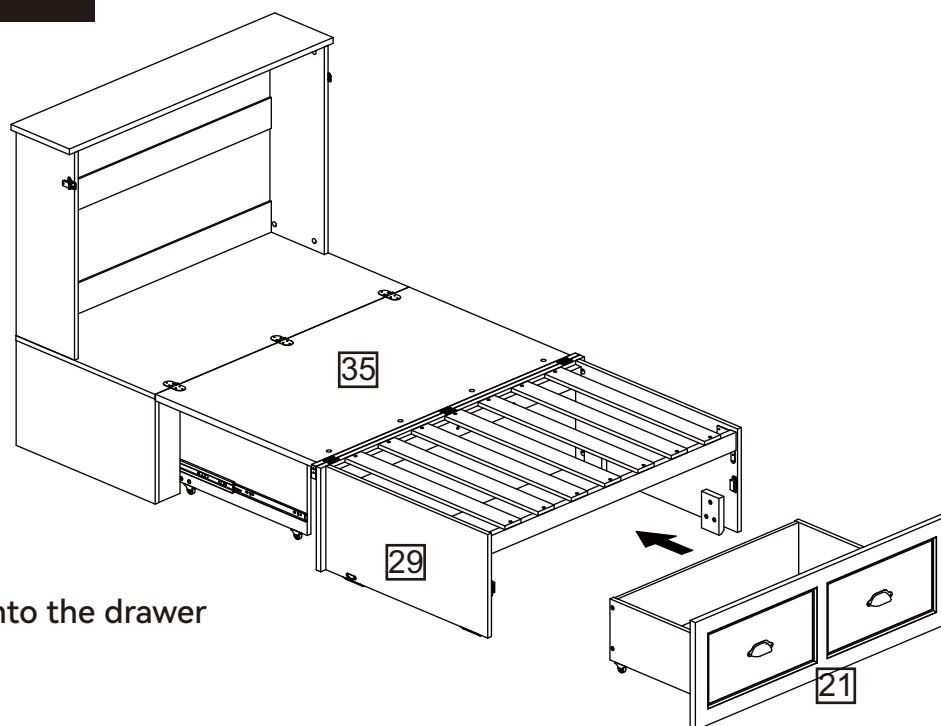


Step 57



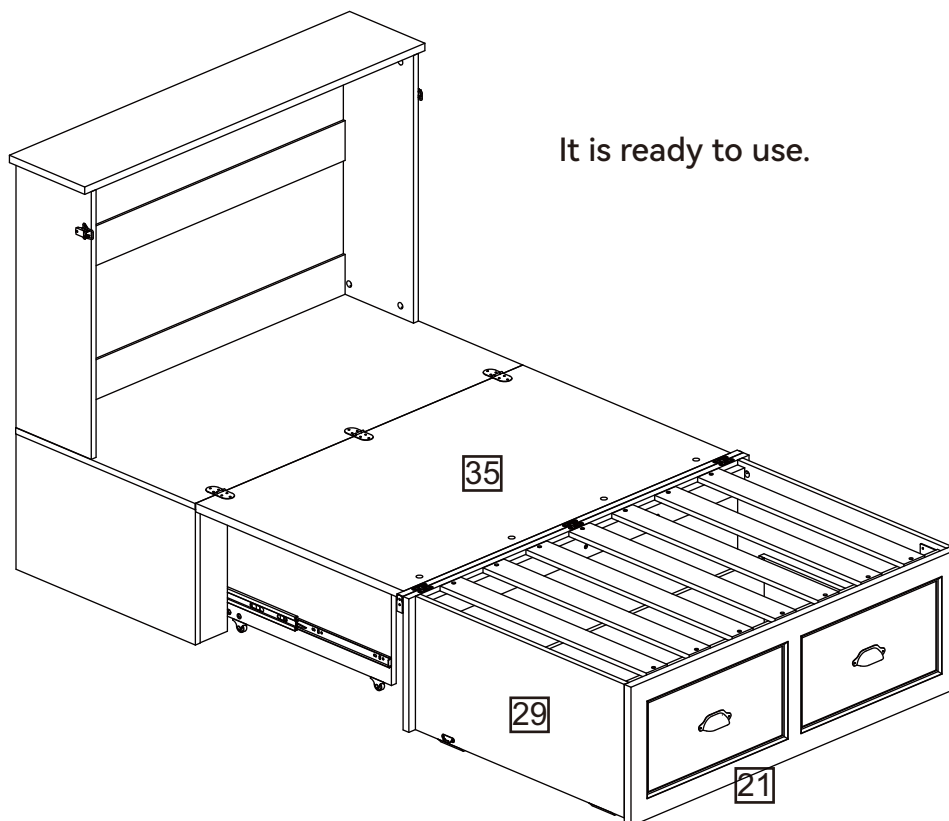
Assembly Instructions

Step 58



Push the drawer into the drawer frame.

Step 59



It is ready to use.

A Guide to Wall Mounting & Fixings

Important note:

If plastic wall plugs (rawl plugs) are supplied with your product, e.g.:



- these are only suitable for use in masonry walls.

If you are in any doubt about the correct wall plugs for your wall, seek professional advice.


Failure of the product due to using the incorrect fixings is the responsibility of the installer.



Important: when drilling into walls always check that there are no hidden wires or pipes etc.

Make sure that the screws and wall plugs being used are suitable for **supporting your unit**. **Consult a qualified tradesperson if you are unsure.**

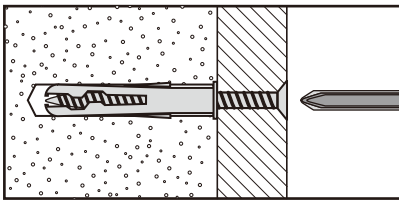
Hints:

- 1: General rule:  always use a larger screw and wall plug if you are not sure.
- 2: Ensure you use the recommended drill bit to match the wall plug and hole size.
- 3: Ensure you drill the hole horizontally; do not force the drill or enlarge the hole.
- 4: Take extra care when drilling high walls, ceilings and ceramic tiles. Ensure wall plugs are inserted beyond the thickness of the ceramic tiles to avoid the tiles splitting or cracking.
- 5: Ensure wall plugs are well fitted and are a tight fit in the drilled hole.

Types of walls

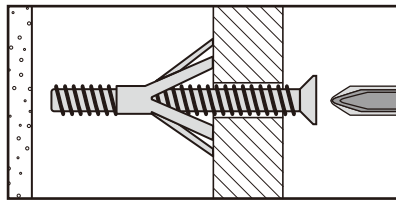
You can use one of the following types of wall plug if your walls are made of brick, breeze block, concrete, stone or wood.

No.1 "General Purpose" wall plug



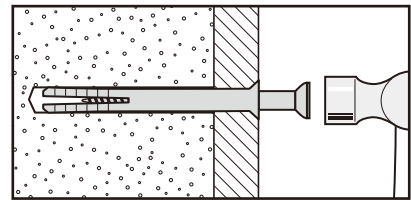
Generally aerated blocks should not be used to support heavy loads, use a specialist fitting in this case. For light loads, general purpose wall plugs can be used.

No.3 "Cavity Fixing" wall plug



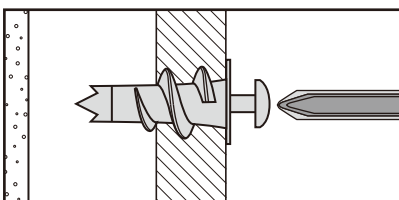
For use with plasterboard partitions or hollow wooden doors.

No.5 "Hammer Fixing" wall plug



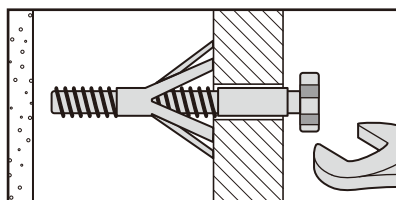
For use with walls stuck with plasterboard. The hammer fixing allows it to be fixed to the wall rather than the plasterboard. Always check the fixing is secure to the retaining wall.

No.2 "Plasterboard" wall plug



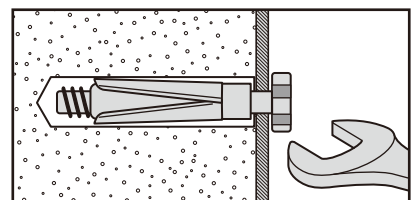
For use when attaching light loads onto plasterboard partitions.

No.4 "Cavity Fixing - Heavy Duty" wall plug



For use when fitting or supporting heavy loads such as shelving, wall cabinets and coat racks.

No.6 "Shield Anchor" wall plug - heavy loads



For use with heavier loads such as TV and HiFi speakers and satellite dishes etc.



Care & Maintenance

Safety: always check the fitting and location to ensure your safety in and around the home.

Fitting: from time to time check the fitting to ensure the wall plugs or screws do not become loose.