

60" x 30" Concealed Cable Table Top with Full-Size Pad

DESK-TOP3 Series

Assembly Manual

Individual Product SKUs

DESK-TOP3

DESK-TOP3-W



Better Products for a Better Workspace Experience

We are dedicated to creating high-end ergonomic solutions
for the office with top of the industry support.

Explore Endless Workspace Solutions

www.vivo-us.com



WARNING



If you do not understand these directions, or if you have any doubts about the safety of the installation, please contact our product support team at 309-278-5303 or help@vivo-us.com for further assistance. Check carefully to make sure there are no missing or defective parts. Failure to report missing parts within 30 days may result in denial of free replacement. Improper installation may cause damage or serious injury. Do not use this product for any purpose that is not explicitly specified in this manual. Do not exceed weight capacity. We cannot be liable for damage or injury caused by improper mounting, incorrect assembly or inappropriate use.



WARNING: CHOKING HAZARD

SMALL PARTS - NOT FOR CHILDREN UNDER 3 YEARS. ADULT SUPERVISION IS REQUIRED.

Need Help? We're Here For You

US-Based Customer Support from Trained Professionals

Monday-Friday from 7am-7pm CST

Saturday 8am-4pm CST



Email Us

help@vivo-us.com



Chat with Live Agent

www.vivo-us.com



Give Us a Call

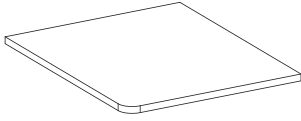
309-278-5303 ext. 1



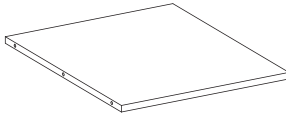
Assembly Video & Product Info

www.vivo-us.com/products/desk-top3

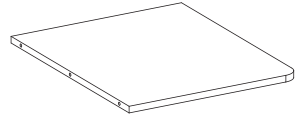
Package Contents



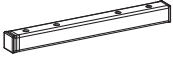
A (x1)
Left Panel



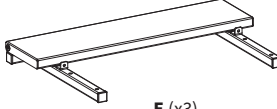
B (x1)
Middle Panel



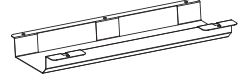
C (x1)
Right Panel



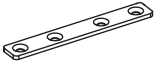
D (x4)
Support Bar



E (x3)
Upper Tray



F (x2)
Lower Tray



G (x2)
Connecting Plate



H (x1)
Mouse Pad

Included Hardware & Tools



S-A (x12)
ST4.2x16mm Screw



S-B (x6)
Wooden Dowel Pin



S-C (x28)
M6x30mm Screw



S-D (x10)
M6x6mm Screw



S-E (x6)
ST4.2x20mm Screw



S-F (x8)
M6x8mm Screw

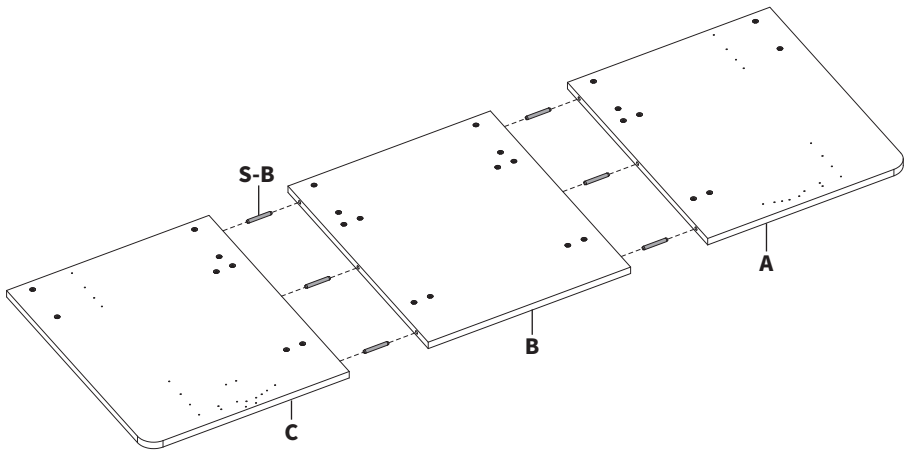


T-A (x1)
Phillips Screwdriver

Assembly Steps

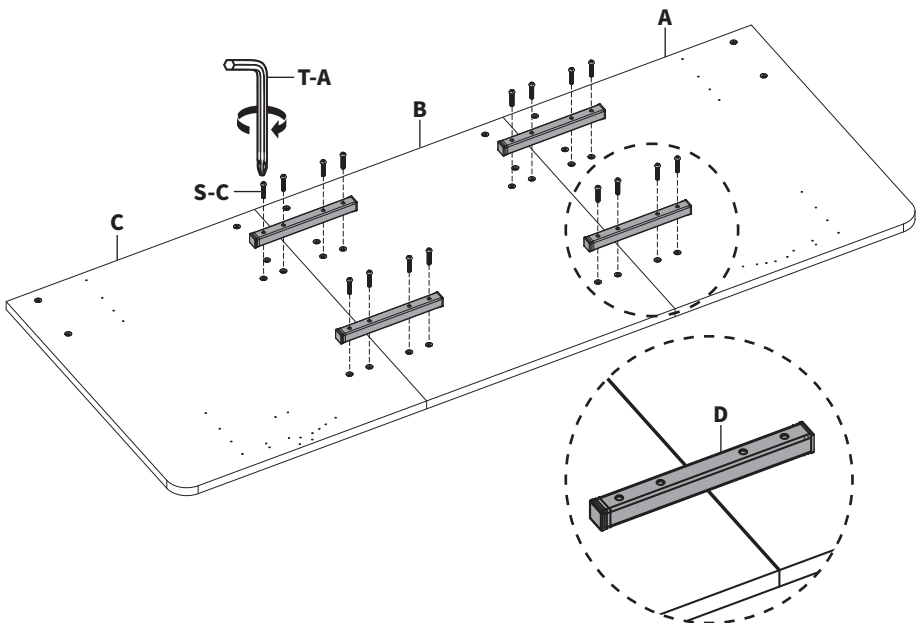
STEP 1

Place Desktop Panels (**A, B, C**) upside down on a protective surface and insert Wooden Dowel Pins (**S-B**) into Middle Panel (**B**). Connect the Left and Right Panels (**A,C**) to Middle Panel (**B**) using the Wooden Dowel Pins.



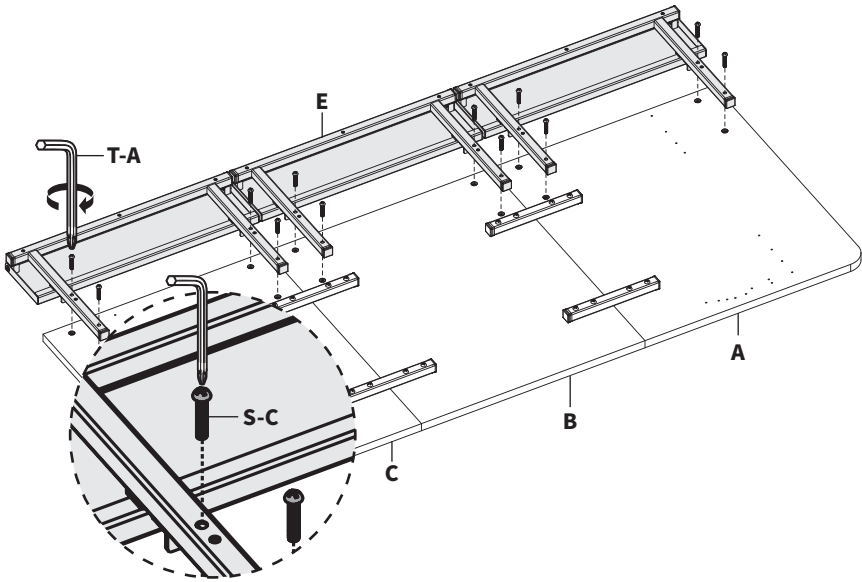
STEP 2

Attach Support Bars (**D**) to Desktop Panels (**A, B, C**) using M6x30mm Screws (**S-C**) and Phillips Screwdriver (**T-A**).

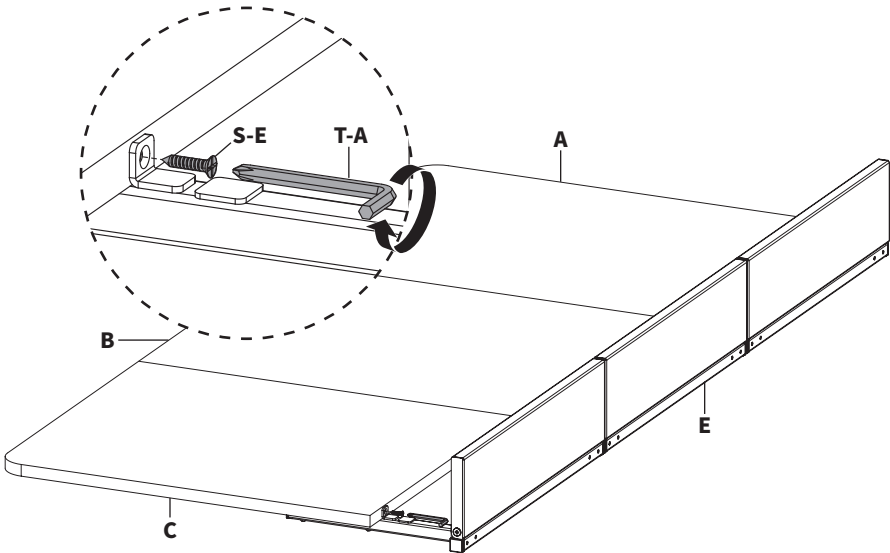


STEP 3

Attach Upper Trays (**E**) to Desktop Panels (**A, B, C**) using M6x30mm Screws (**S-C**) and Phillips Screwdriver (**T-A**). Do not fully tighten the screws.

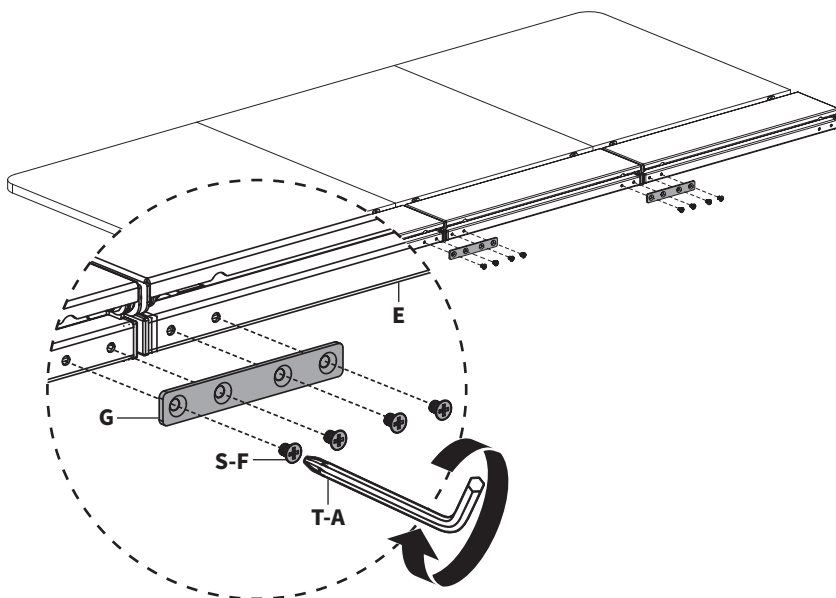


Flip the desktop assembly and open Upper Trays (**E**). Fasten Upper Trays to Desktop Panels (**A, B, C**) using ST4.2x20mm Screws (**S-E**) and Phillips Screwdriver (**T-A**).

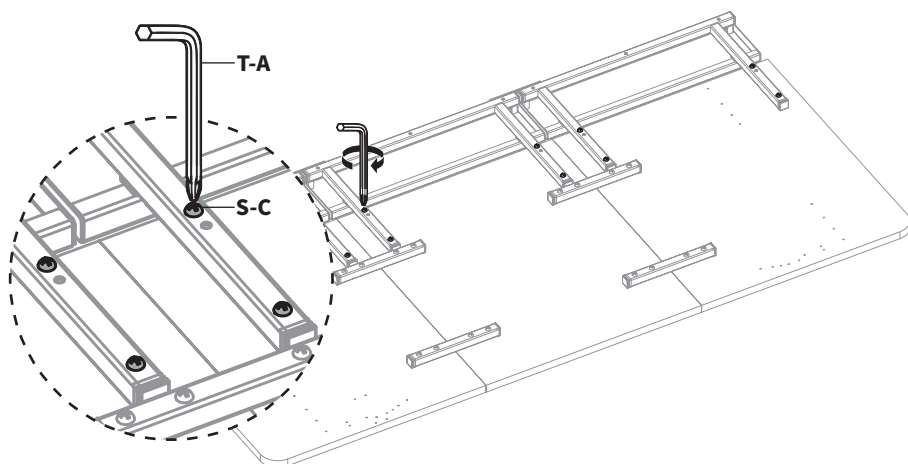


STEP 4

Fasten Upper Trays (**E**) to each other using Connecting Plates (**G**), M6x8mm Screws (**S-F**), and Phillips Screwdriver (**T-A**).



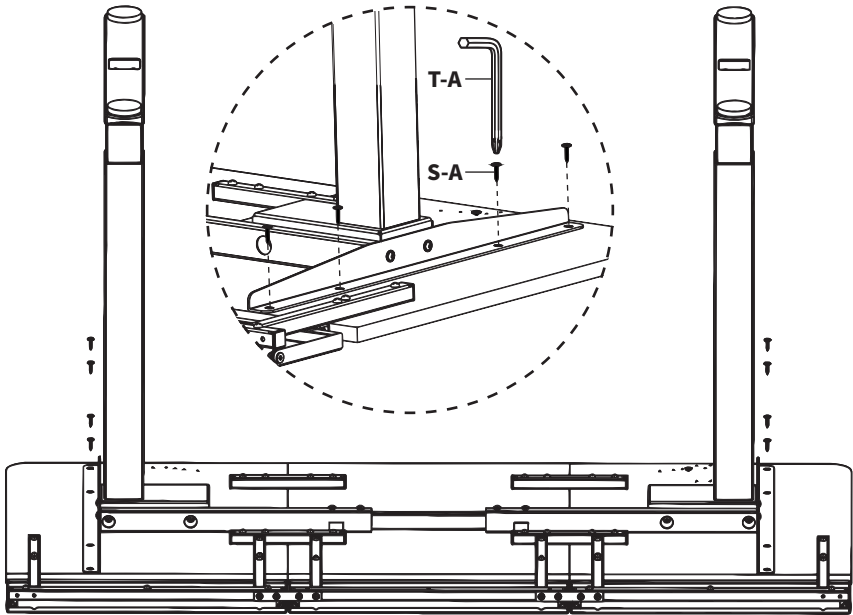
Fully tighten the previously installed M6x30mm Screws (**S-C**) using Phillips Screwdriver (**T-A**).



STEP 5

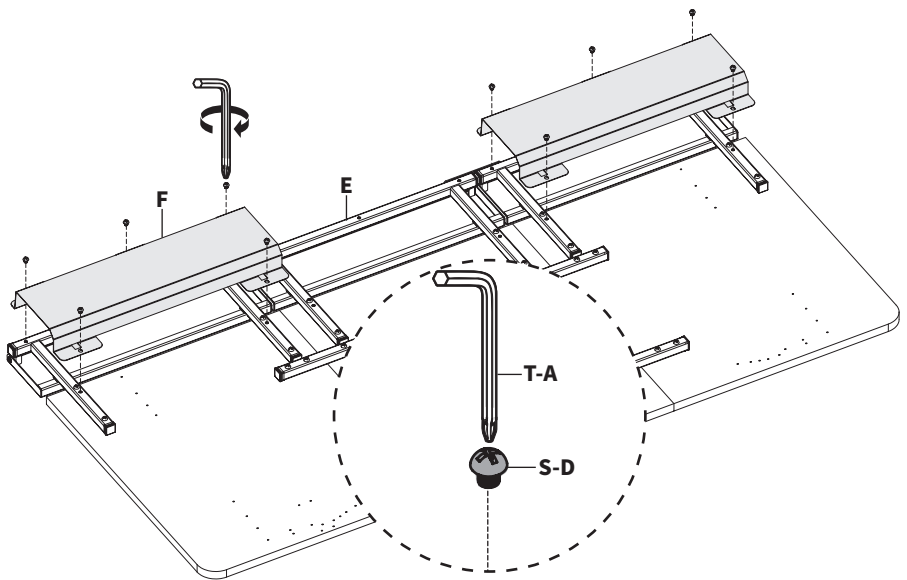
Flip the desktop assembly and place desk frame upside down on the desktop assembly. Adjust frame width to match the desktop mounting holes, and secure frame and control panel or crank to the desktop assembly using ST4.2x16mm Screws (**S-A**) and Phillips screwdriver (**T-A**)

Note: Holes for some control panels and cranks are not pre-drilled. In this case, you must drill your own.



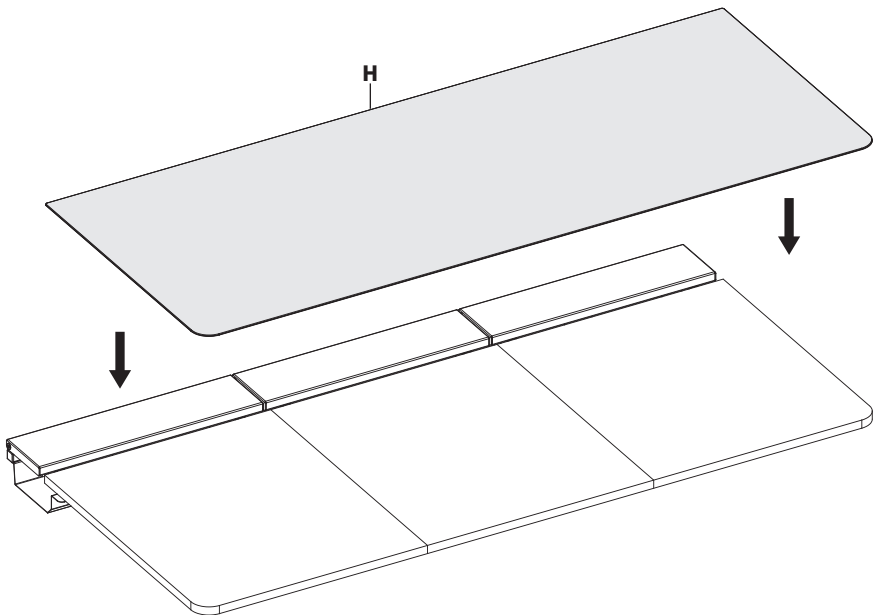
STEP 6

Install Lower Trays (**F**) to Upper Trays (**E**) using M6x6mm Screws (**S-D**) and Phillips Screwdriver (**T-A**).



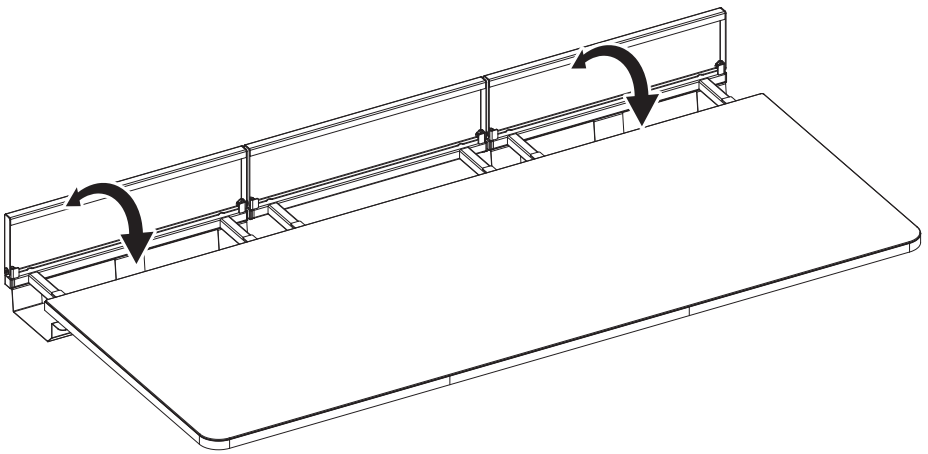
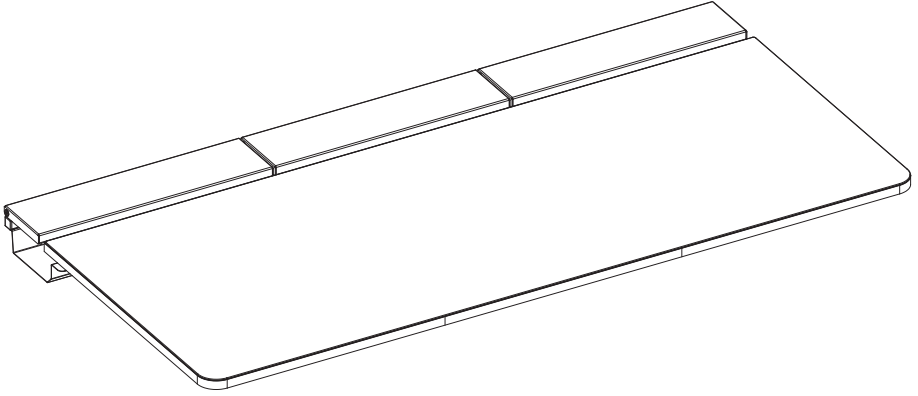
STEP 7

Flip the desk assembly right side up and place Mouse Pad (**H**) onto desktop.



STEP 8

The lower trays can be accessed by flipping open the upper trays. Conceal cables by keeping the upper trays closed.



V·I·V·



Love Your New Setup?
Tag Us on Social!



@VIVO-us



@vivo_us



@VIVOus



VIVO



Need Help? **We're Here For You**

Monday-Friday from 7am-7pm CST

Saturday 8am-4pm CST



Email Us
help@vivo-us.com



Chat with Live Agent
www.vivo-us.com



Give Us a Call
309-278-5303 ext. 1



VIVO-us



@vivo_us



@VIVOus



VIVO