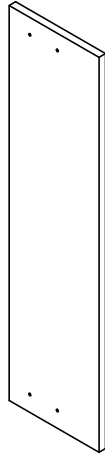


Ax1



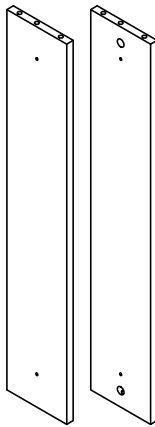
Bx1



Cx1



Dx1



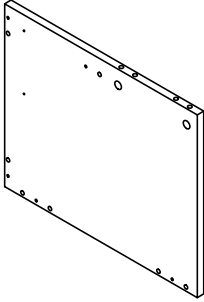
Ex2



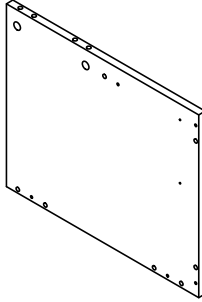
Fx1



Gx1



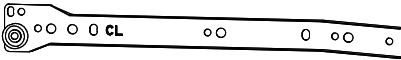
Hx1



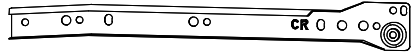
lx1



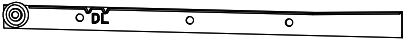
Jx2



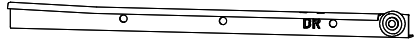
CLx1



CRx1



DLx1



DRx1



Kx18



Lx22



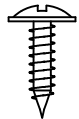
Mx22



Nx12
M3.5x $\frac{12}{0.5}$



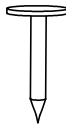
Ox4
M3.5x $\frac{30}{1.2}$



Px3



Qx3



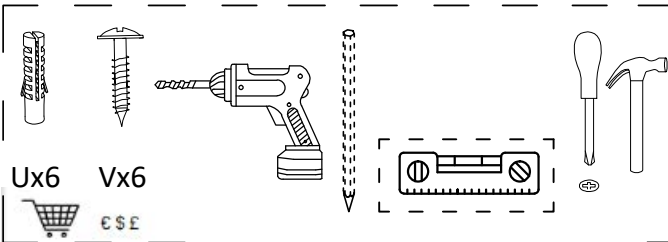
Rx20



Sx2



Tx2



Ux6

Vx6

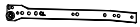


€3€



1

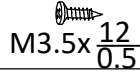
CLx1



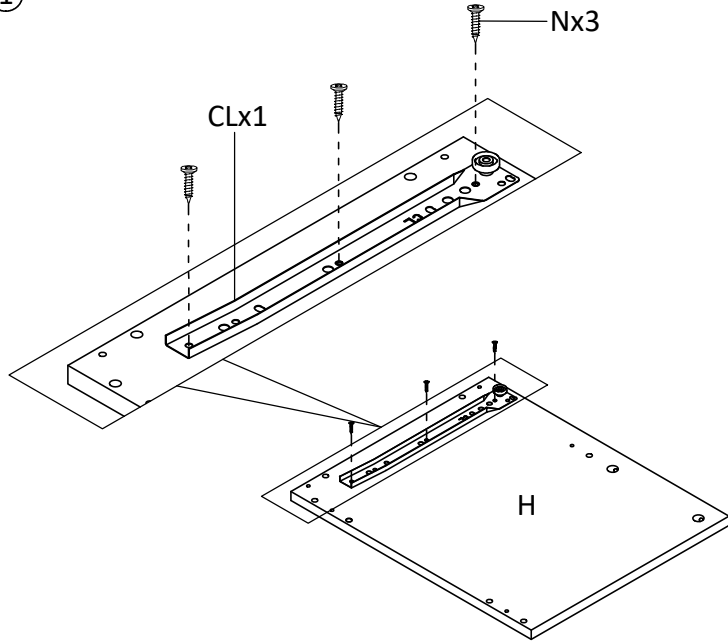
CRx1



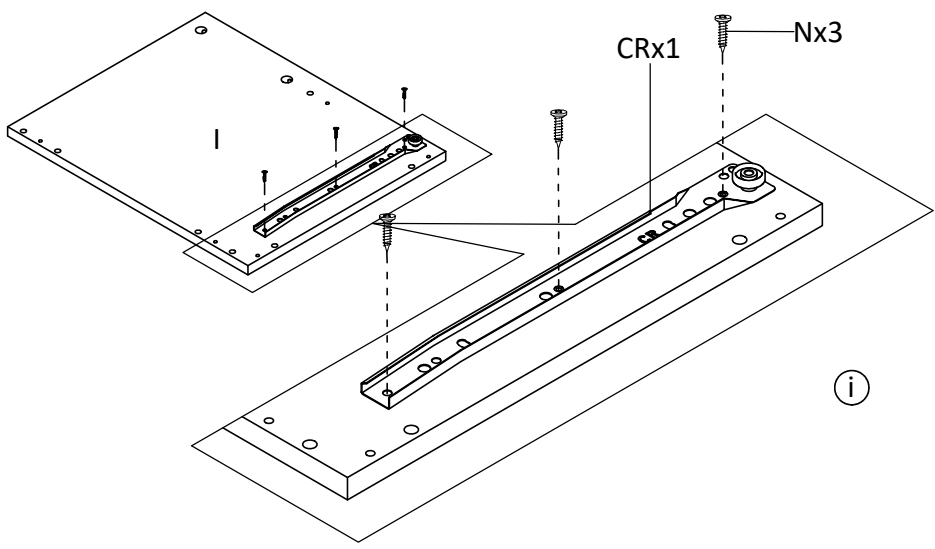
Nx6



M3.5x $\frac{12}{0.5}$



h



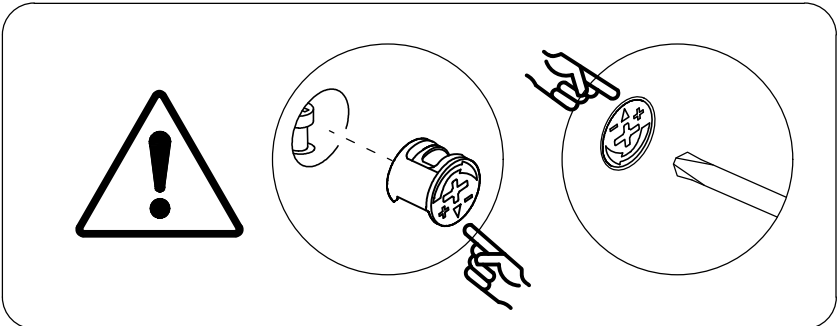
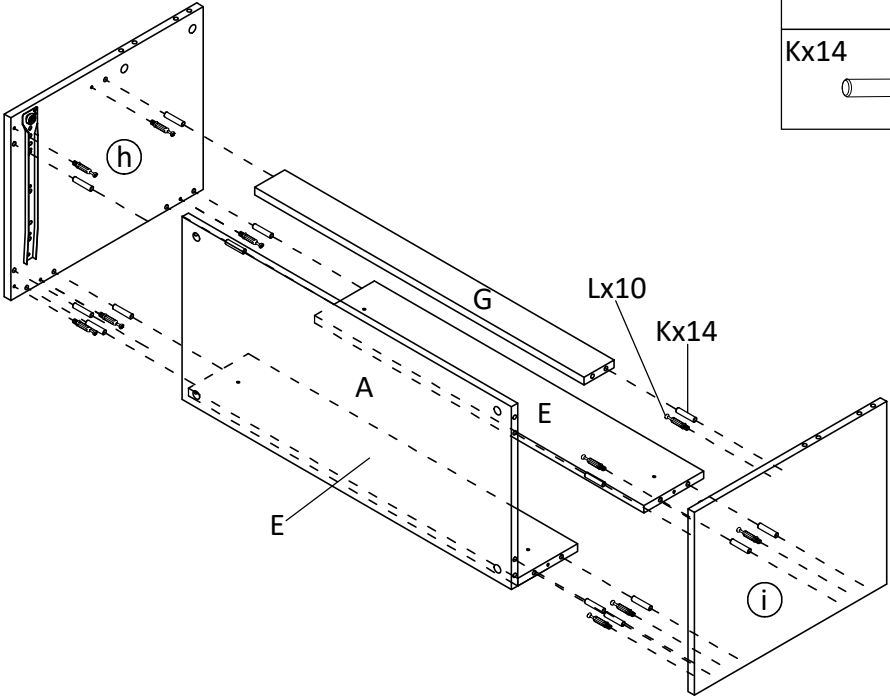
i

②

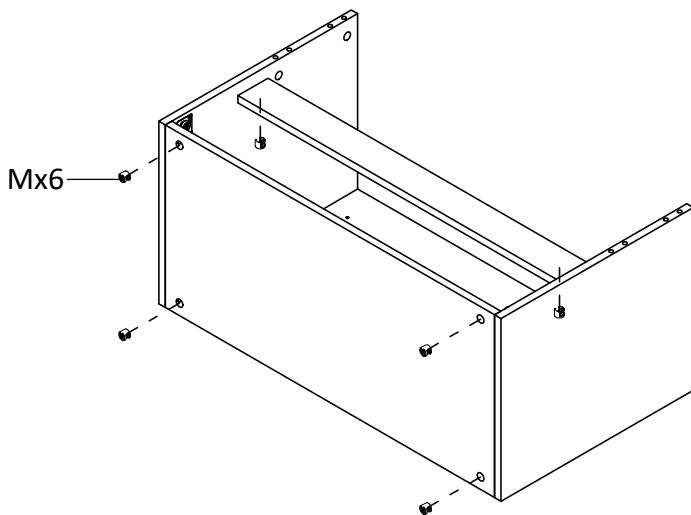
Lx10



Kx14



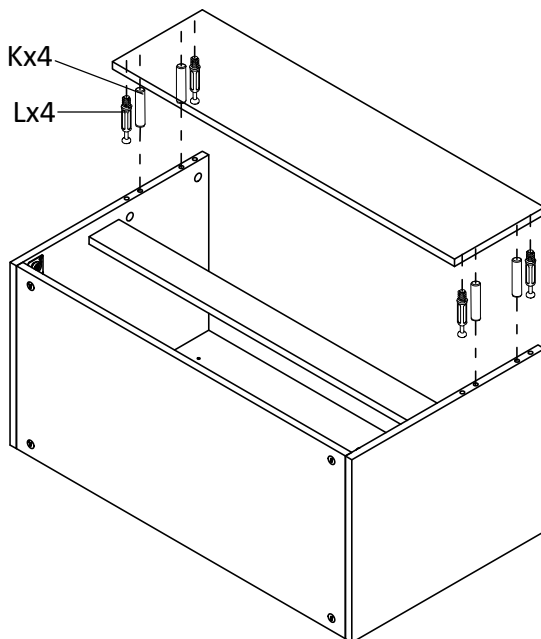
3



Mx6



4



Lx4



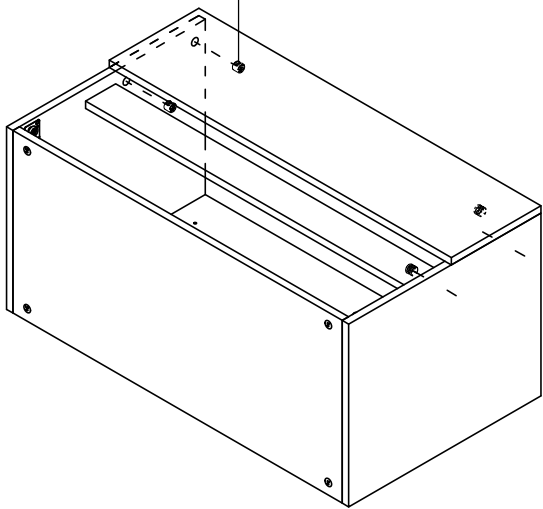
Kx4



5

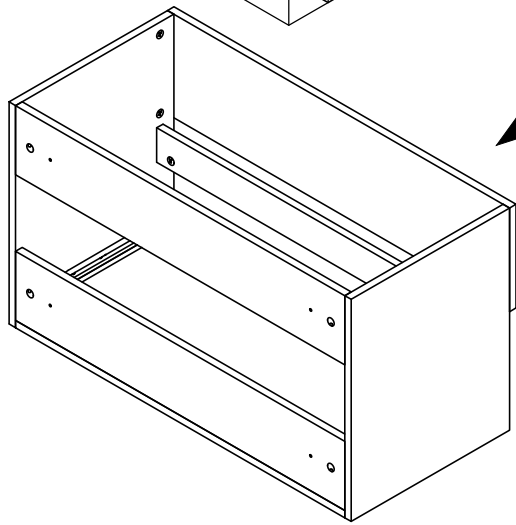
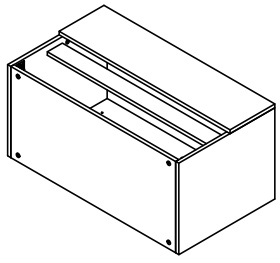
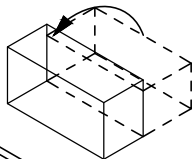
Mx4

Mx4



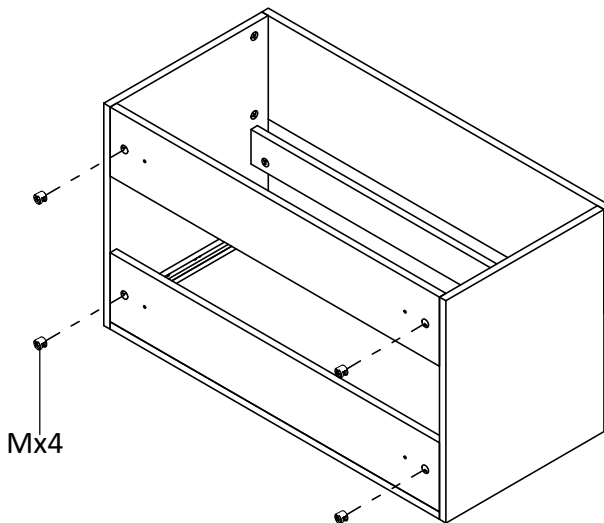
6

90°



7

Mx4



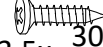
Mx4

8

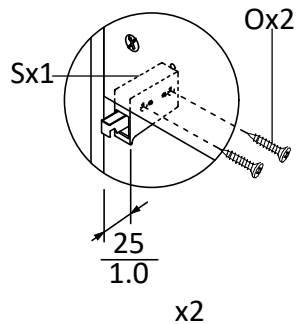
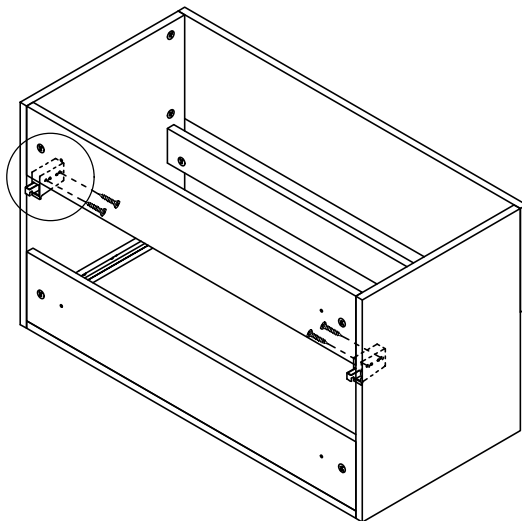
Sx2



Ox4



M3.5x 30
1.2



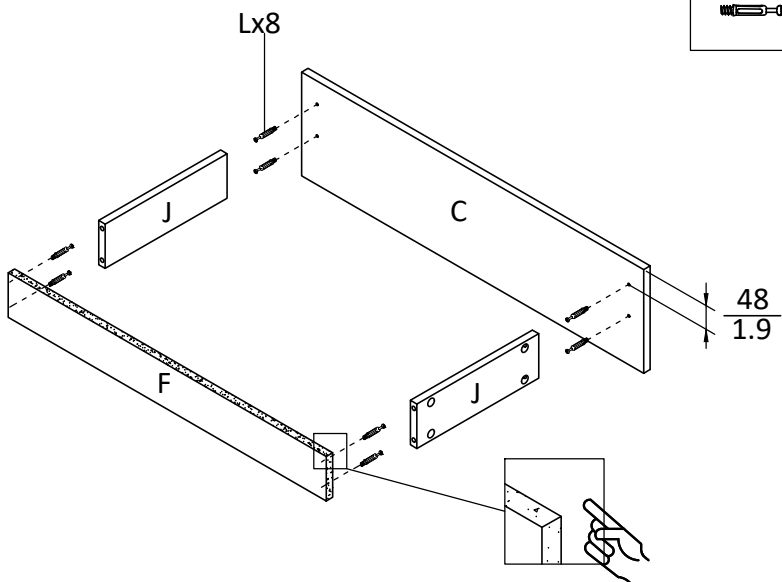
Ox2

Sx1

25
1.0

x2

9

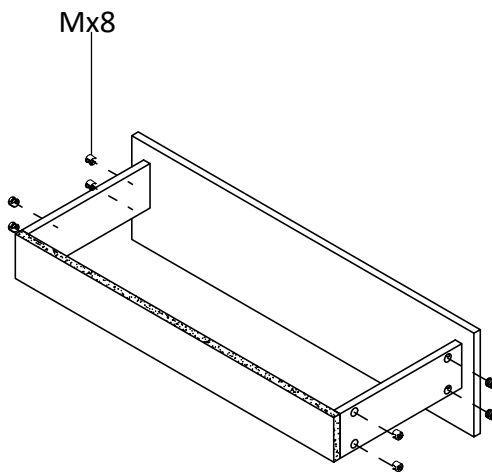


Lx8



48
1.9

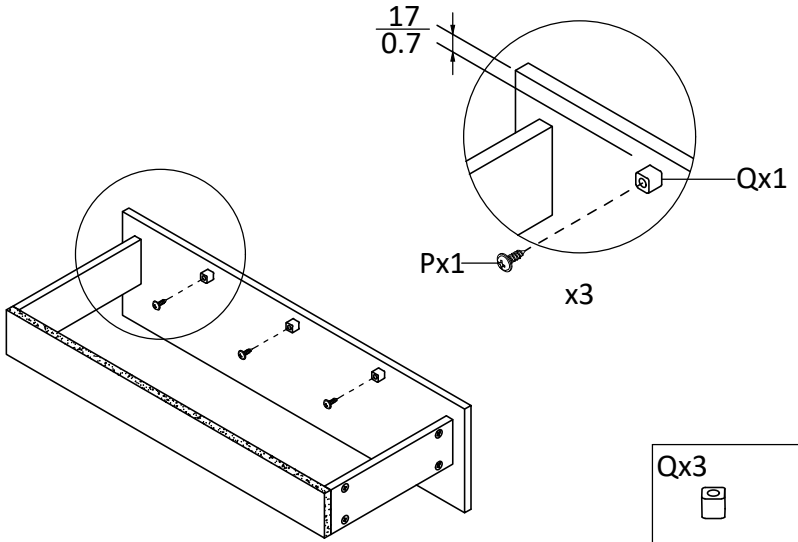
10



Mx8



11



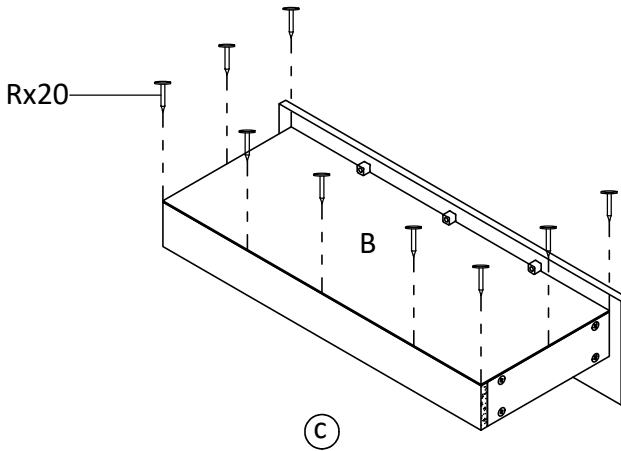
Qx3



Px3



12



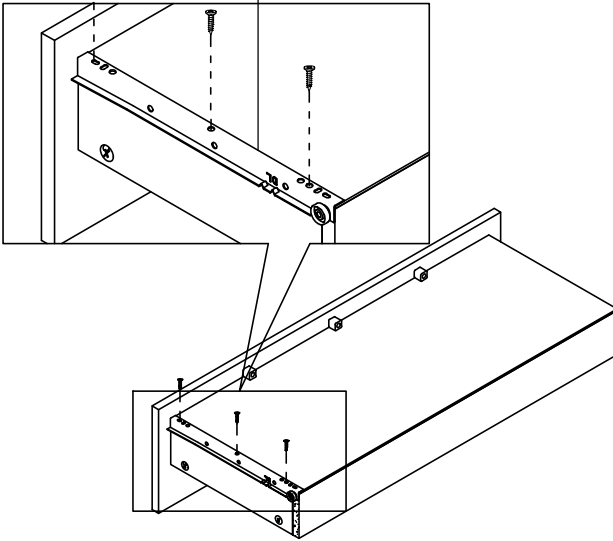
Rx20



13

Nx3

DLx1



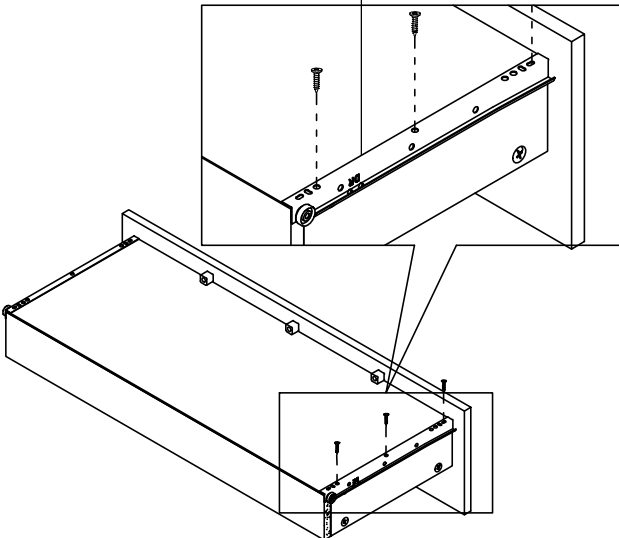
Nx3
M3.5x $\frac{12}{0.5}$

DLx1



14

DRx1 Nx3

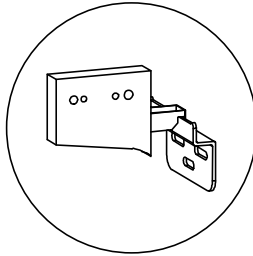
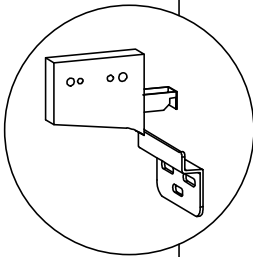


Nx3
M3.5x $\frac{12}{0.5}$

DRx1



15



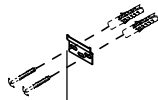
Tx2



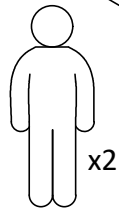
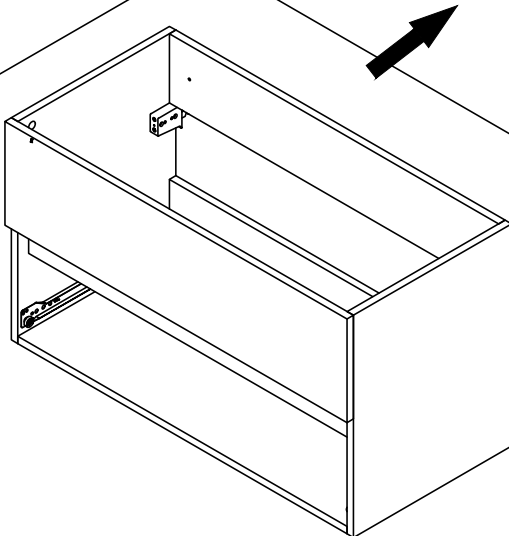
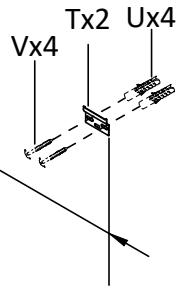
Vx4



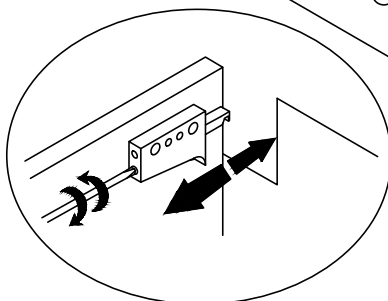
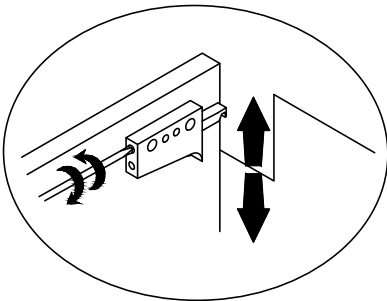
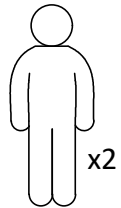
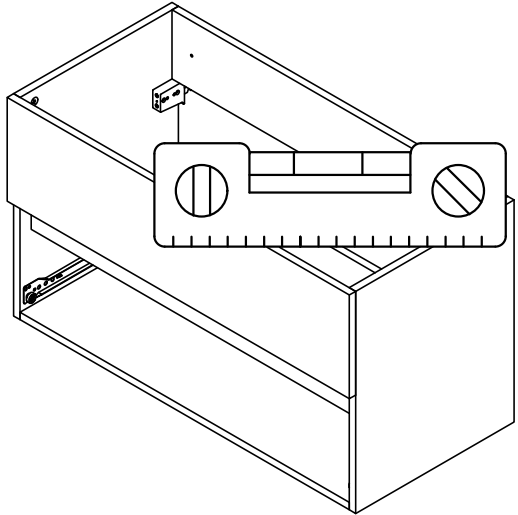
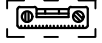
Ux4



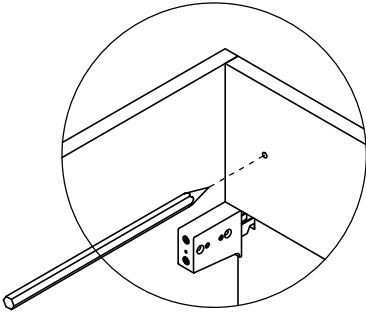
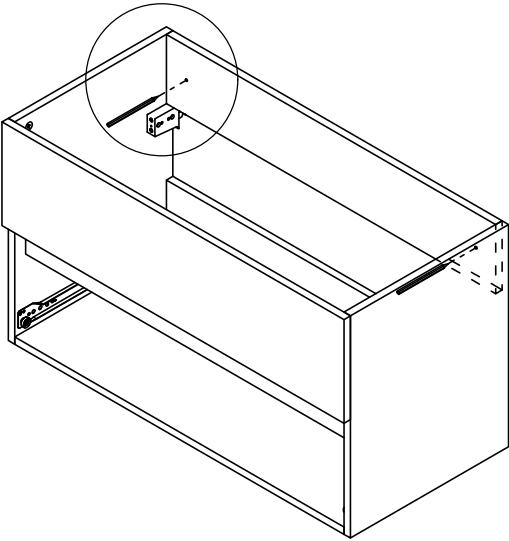
768
30.2



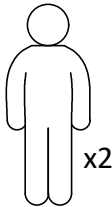
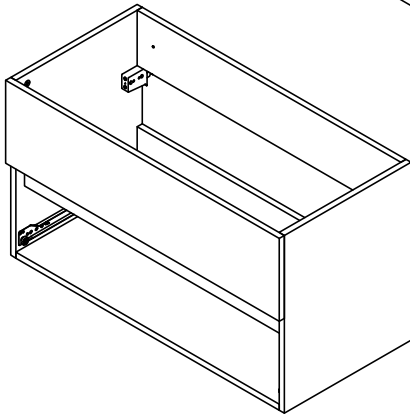
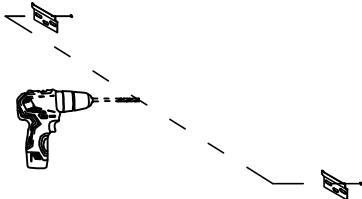
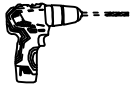
16



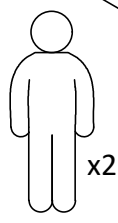
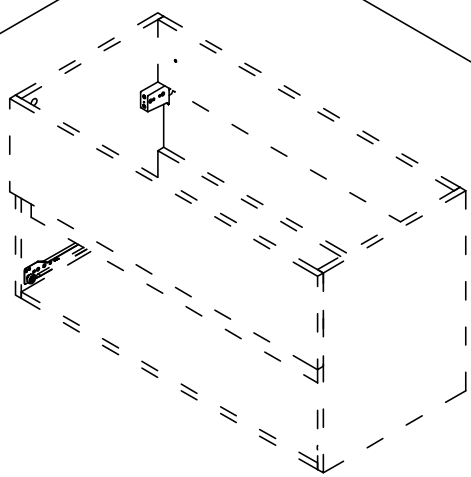
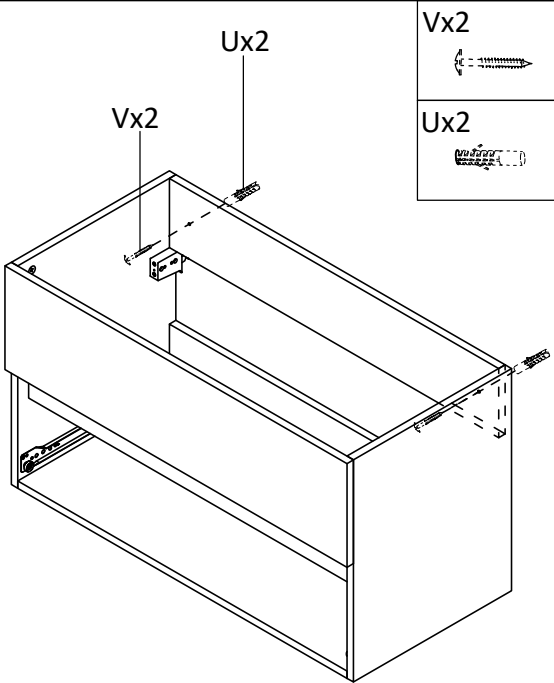
17



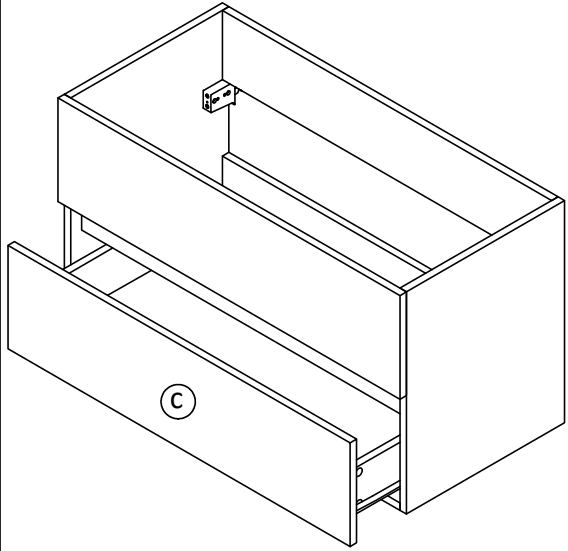
18

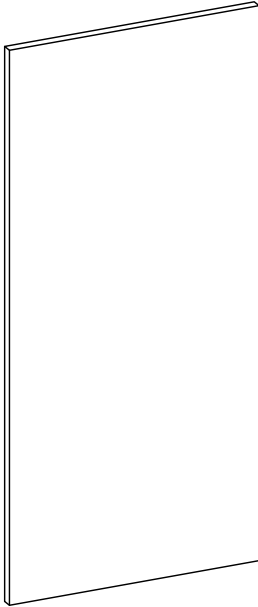


19

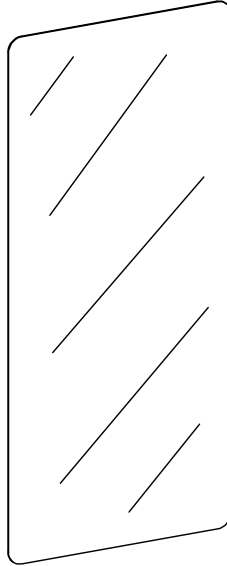


20

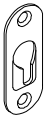




Ax1



Bx1



Cx4



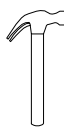
Dx8



Ex4



Fx4



®



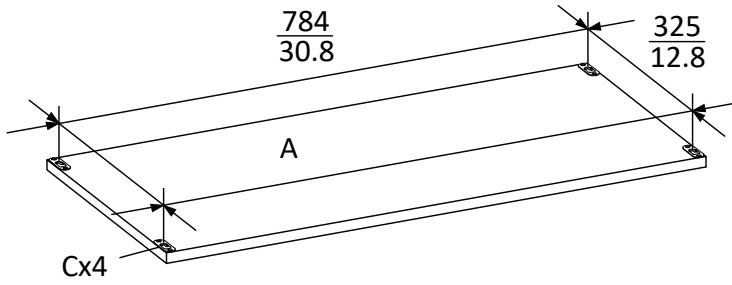
mm
inch

x2



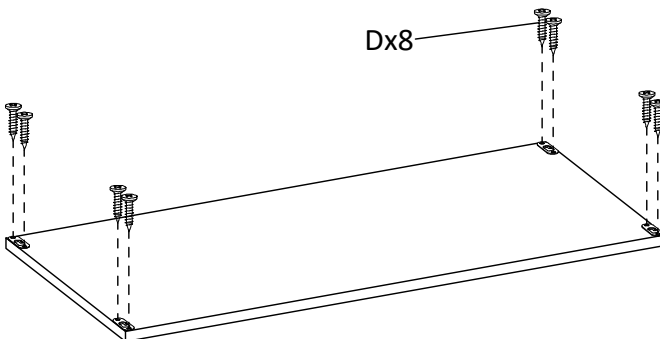
①

Cx4

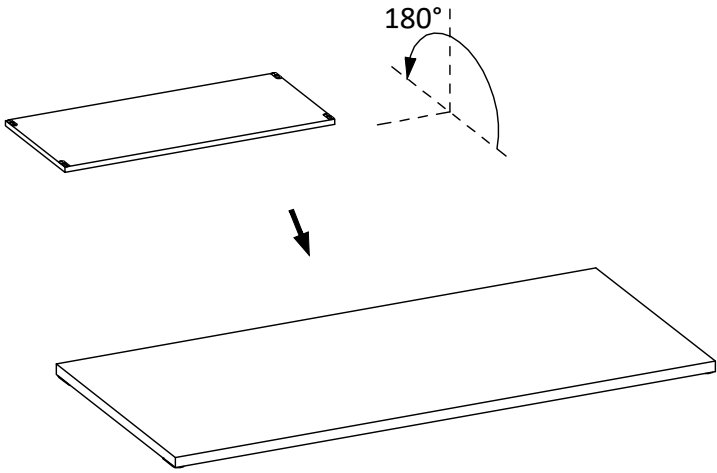


②

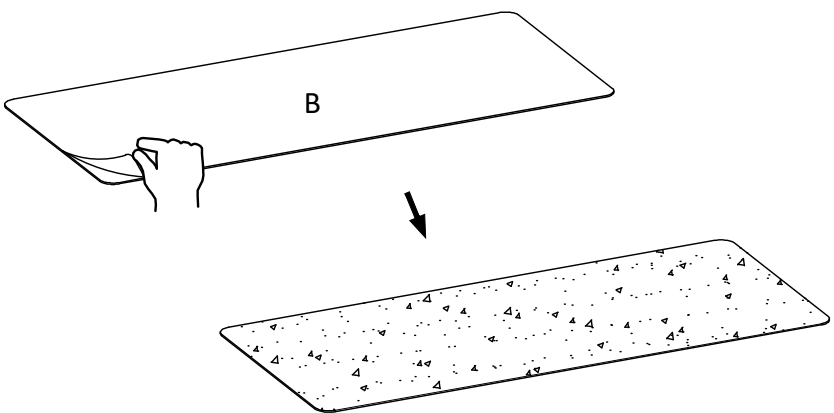
Dx8



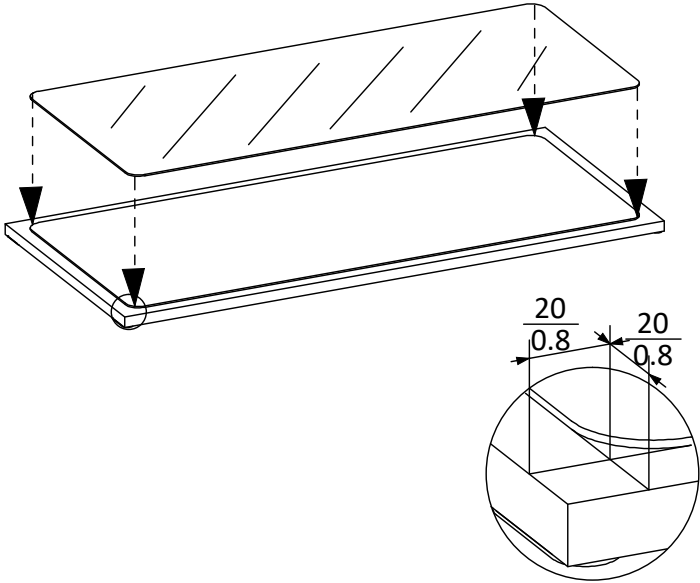
③



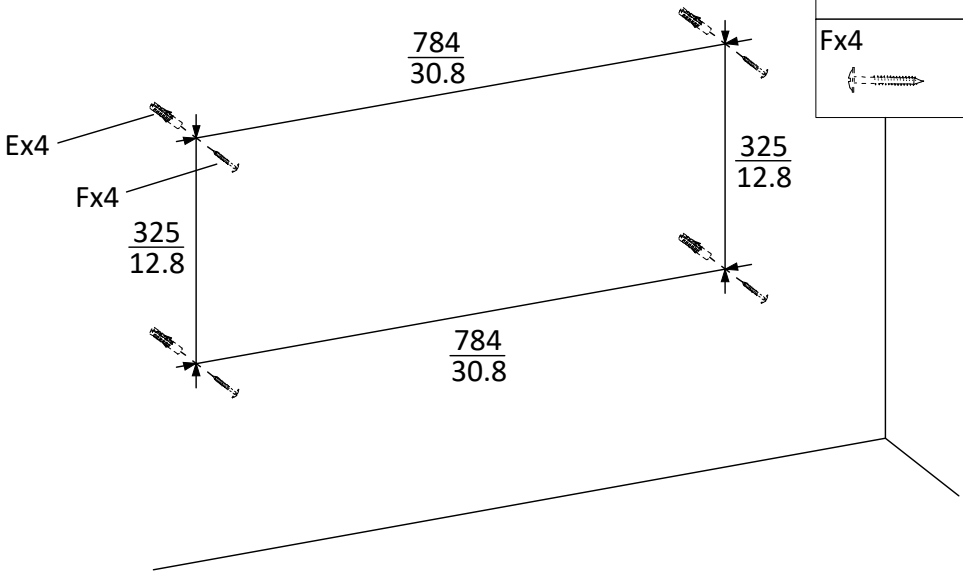
④



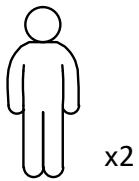
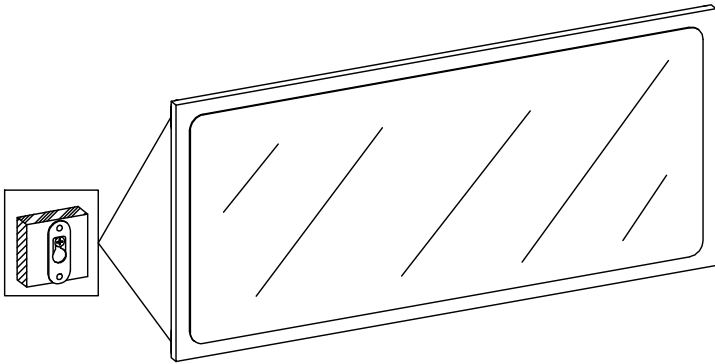
5



6



7



8

