



(12) **United States Design Patent**  
**Liu**

(10) **Patent No.:** **US D932,781 S**  
(45) **Date of Patent:** **\*\* Oct. 12, 2021**

- (54) **MIRROR**
- (71) Applicant: **Wendong Liu**, Shenzhen (CN)
- (72) Inventor: **Wendong Liu**, Shenzhen (CN)
- (\*\*) Term: **15 Years**
- (21) Appl. No.: **29/767,810**
- (22) Filed: **Jan. 26, 2021**
- (51) **LOC (13) Cl.** ..... **06-07**
- (52) **U.S. Cl.**  
USPC ..... **D6/309; D6/310**
- (58) **Field of Classification Search**  
USPC ..... D6/300-314  
CPC ..... A47D 42/10; A47G 1/04  
See application file for complete search history.

(56) **References Cited**

**U.S. PATENT DOCUMENTS**

8,162,502 B1 *	4/2012	Zadro	.....	F21V 33/004 362/141
D730,065 S *	5/2015	Tsai	.....	D6/310
D738,118 S *	9/2015	Gyanendra	.....	D6/310
D825,940 S *	8/2018	Liu	.....	D6/309
D874,162 S *	2/2020	Greenwalt	.....	D6/310
D885,769 S *	6/2020	Wang	.....	D6/309
D891,121 S *	7/2020	Zhao	.....	D6/308
D891,123 S *	7/2020	Li	.....	D6/310
D891,125 S *	7/2020	Liu	.....	D6/310
D892,508 S *	8/2020	Yang	.....	D6/309
D897,694 S *	10/2020	Lin	.....	D6/309
D897,695 S *	10/2020	Yang	.....	D6/309
D898,387 S *	10/2020	Yang	.....	D6/309
D902,607 S	11/2020	Liu	.....	
D905,442 S	12/2020	Yang	.....	
D905,447 S *	12/2020	Yang	.....	D6/310
D916,472 S *	4/2021	Ghiorghie	.....	D6/310

**OTHER PUBLICATIONS**

Pedro Veintimilla, "Happy with first impression" review posted on "Lighted Makeup Mirror 10x Magnification, 8 Inch Rechargeable

Tabletop Vanity Mirror Double Sided, 360 Degree Swivel Cosmetic Mirror with Touch Control Lights Brightness Adjustable, Chrome Finish" product listing, Amazon, Jan. 22, 2021. [https://www.amazon.com/Magnification-Rechargeable-Tabletop-Brightness-Adjustable/dp/B086YD1F9M/ref=psdc\\_3785121\\_t2\\_B083K6V757](https://www.amazon.com/Magnification-Rechargeable-Tabletop-Brightness-Adjustable/dp/B086YD1F9M/ref=psdc_3785121_t2_B083K6V757), retrieved May 8, 2021 (Year: 2021).\*

\* cited by examiner

*Primary Examiner* — Deanna L Pratt

(57) **CLAIM**

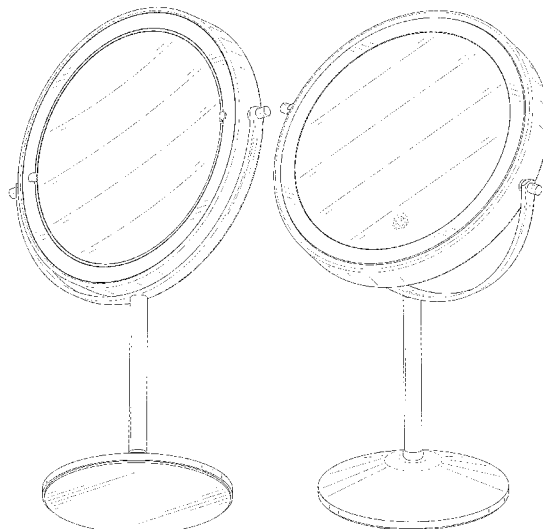
The ornamental design for a mirror, as shown and described.

**DESCRIPTION**

FIG. 1 is a perspective view of a first embodiment of a mirror showing my new design;  
 FIG. 2 is another perspective view thereof;  
 FIG. 3 is a front elevational view thereof;  
 FIG. 4 is a rear elevational view thereof;  
 FIG. 5 is a left side elevational view thereof;  
 FIG. 6 is a right side elevational view thereof;  
 FIG. 7 is a top plan view thereof;  
 FIG. 8 is a bottom plan view thereof;  
 FIG. 9 is a perspective view of the mirror where the mirror is in a configuration of use;  
 FIG. 10 is a perspective view of a second embodiment of the mirror showing my new design;  
 FIG. 11 is another perspective view thereof;  
 FIG. 12 is a front elevational view thereof;  
 FIG. 13 is a rear elevational view thereof;  
 FIG. 14 is a left side elevational view thereof;  
 FIG. 15 is a right side elevational view thereof;  
 FIG. 16 is a top plan view thereof;  
 FIG. 17 is a bottom plan view thereof; and,  
 FIG. 18 is a perspective view of the mirror where the mirror is in a configuration of use.

The broken lines in the drawings depict portions of the mirror that form no part of the claimed design.

**1 Claim, 18 Drawing Sheets**



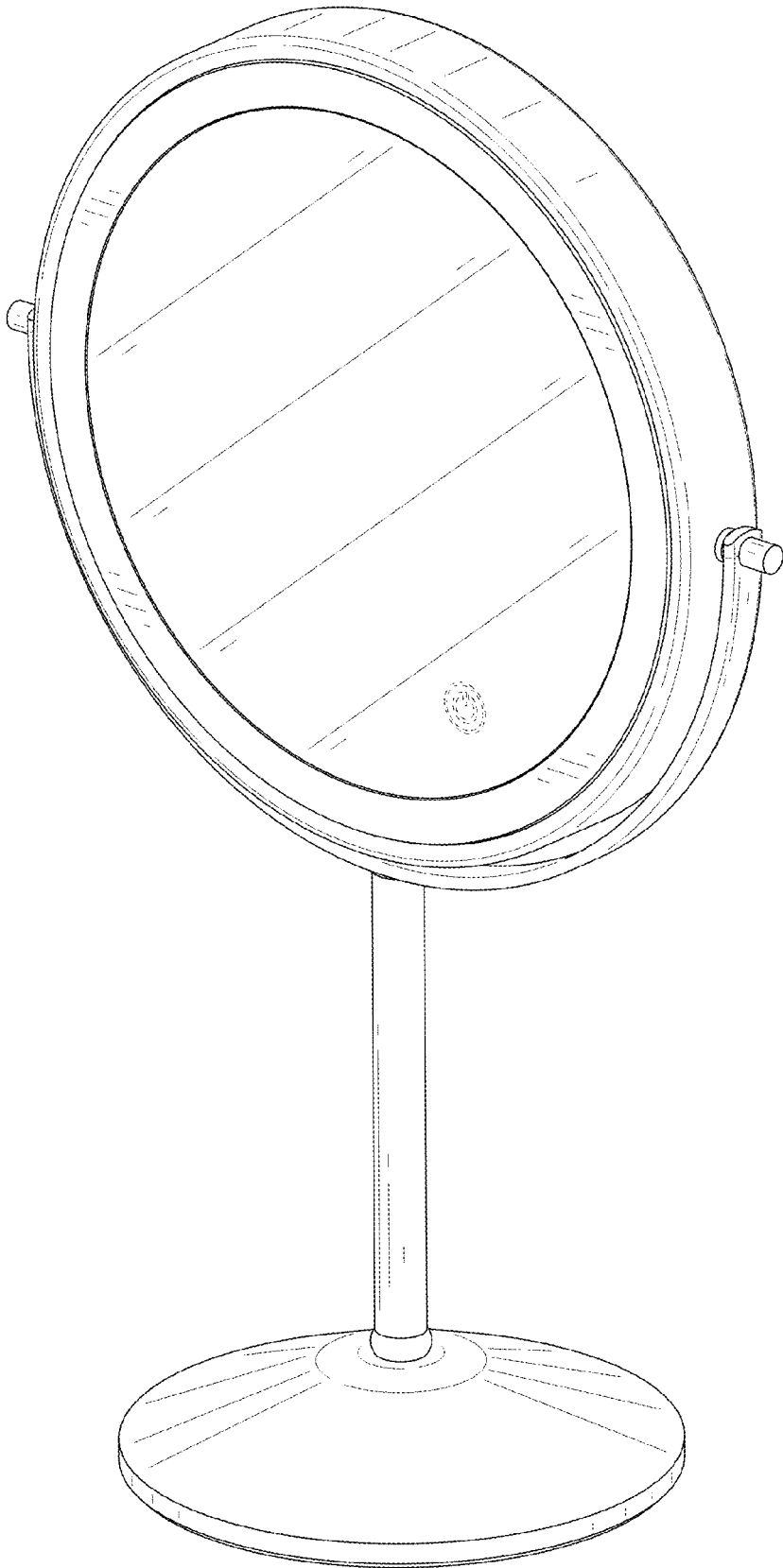


FIG. 1

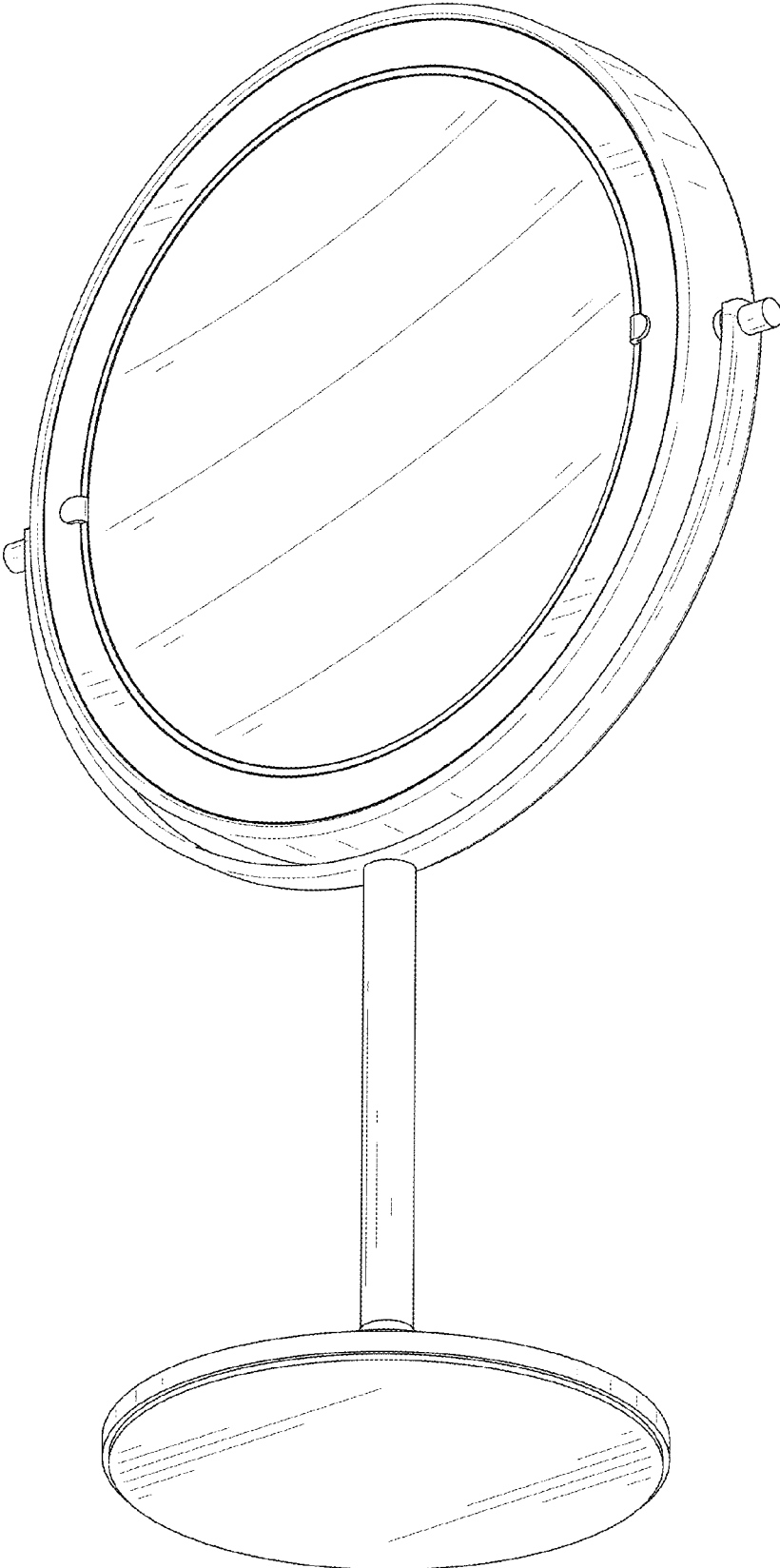


FIG. 2

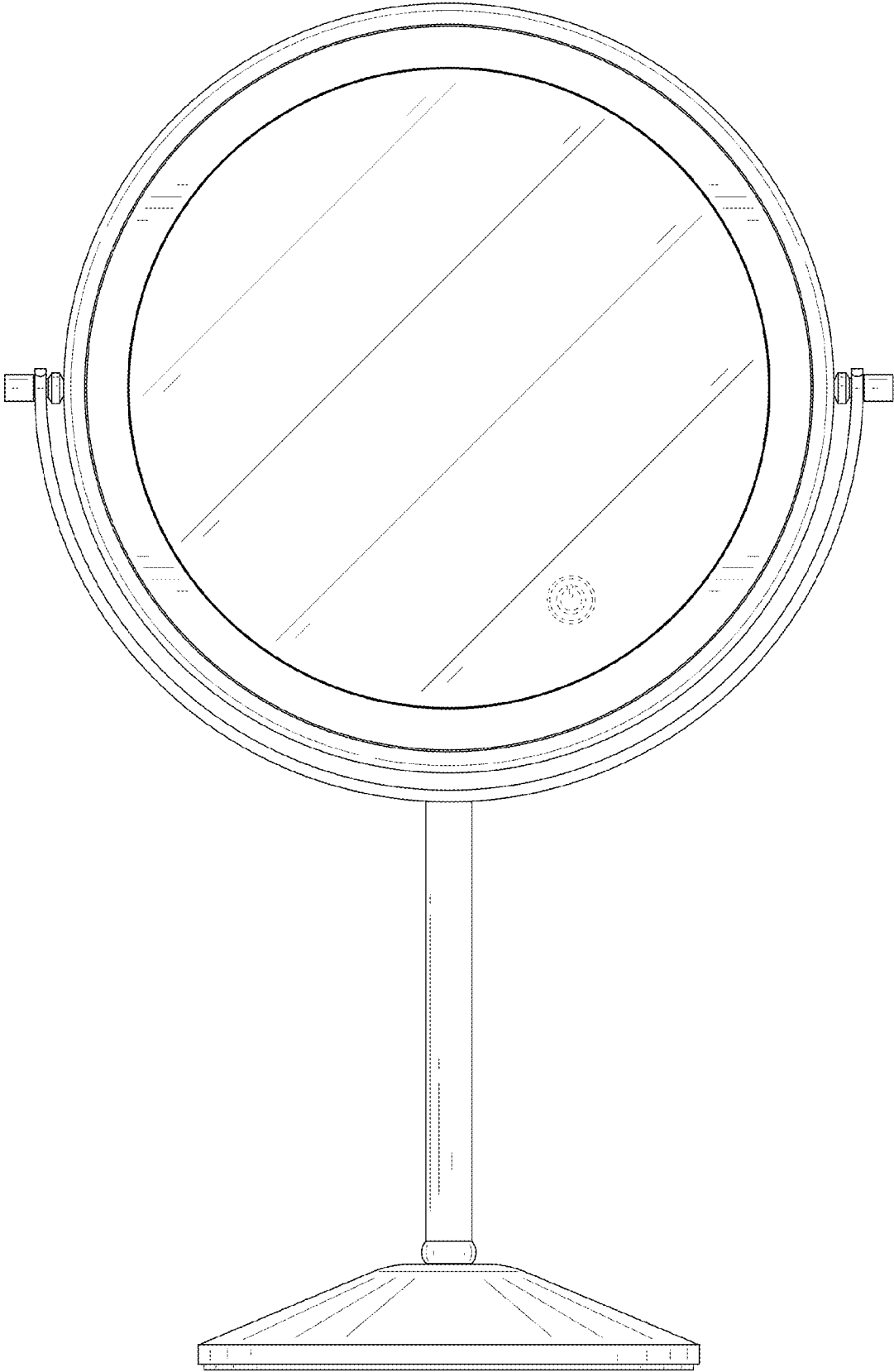


FIG. 3

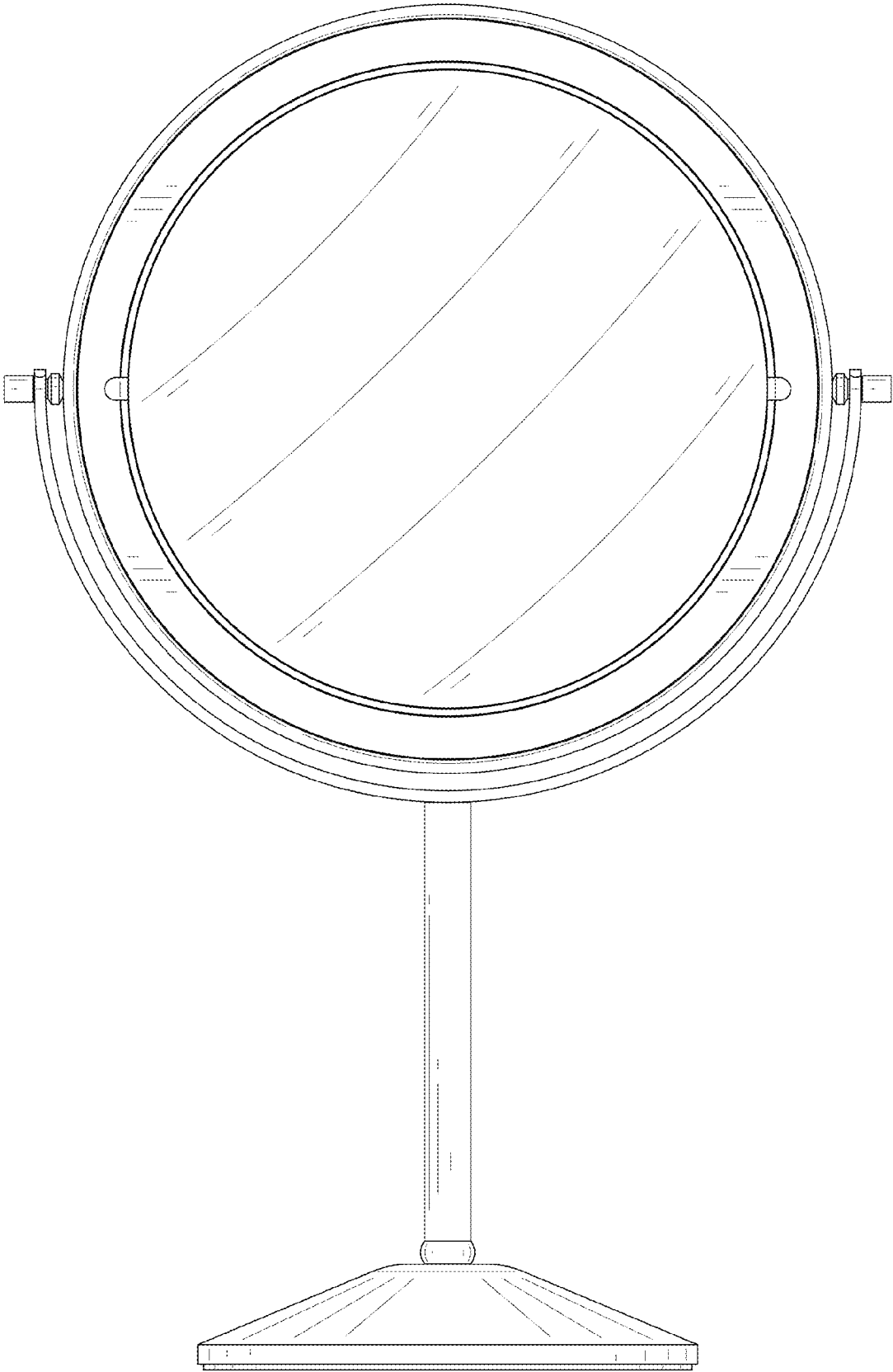


FIG. 4

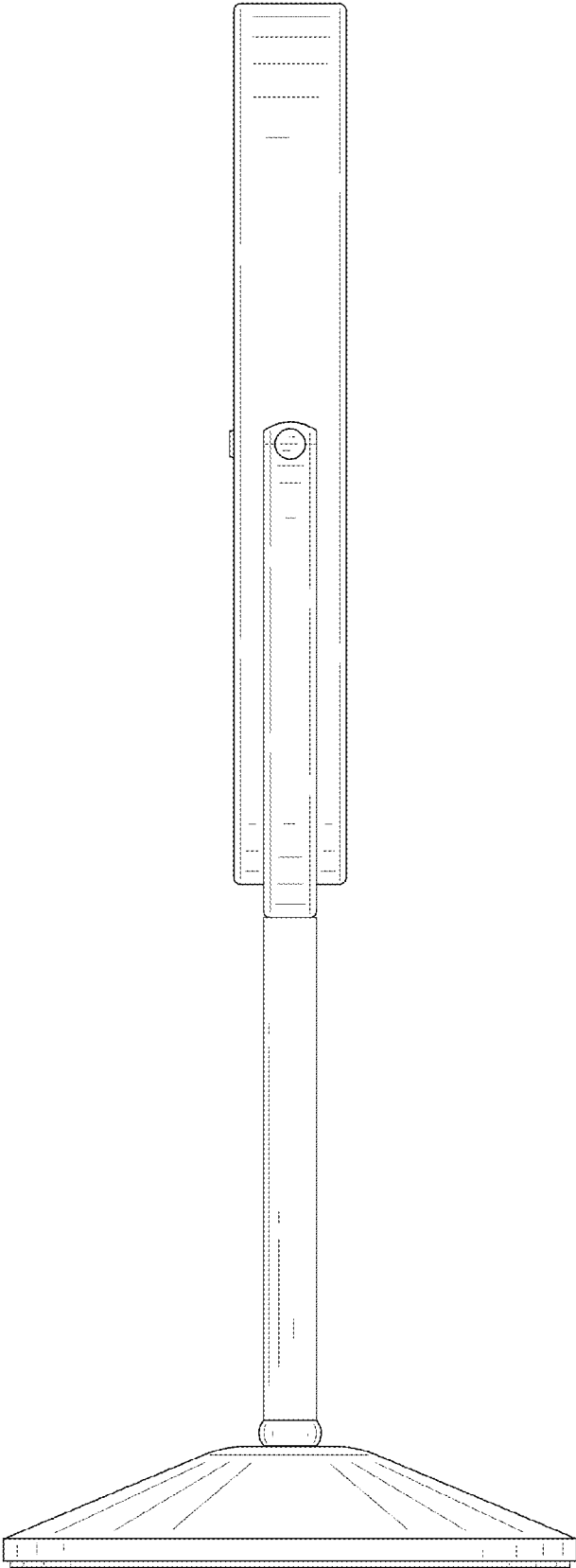


FIG. 5

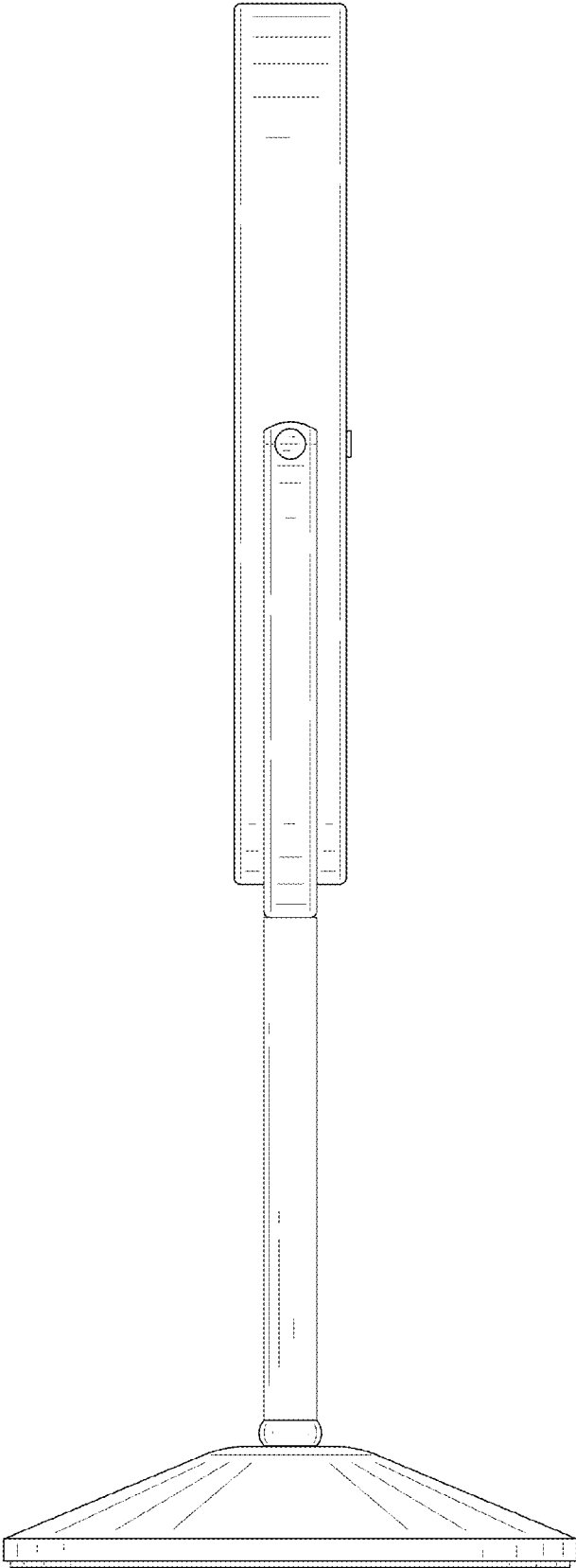


FIG. 6

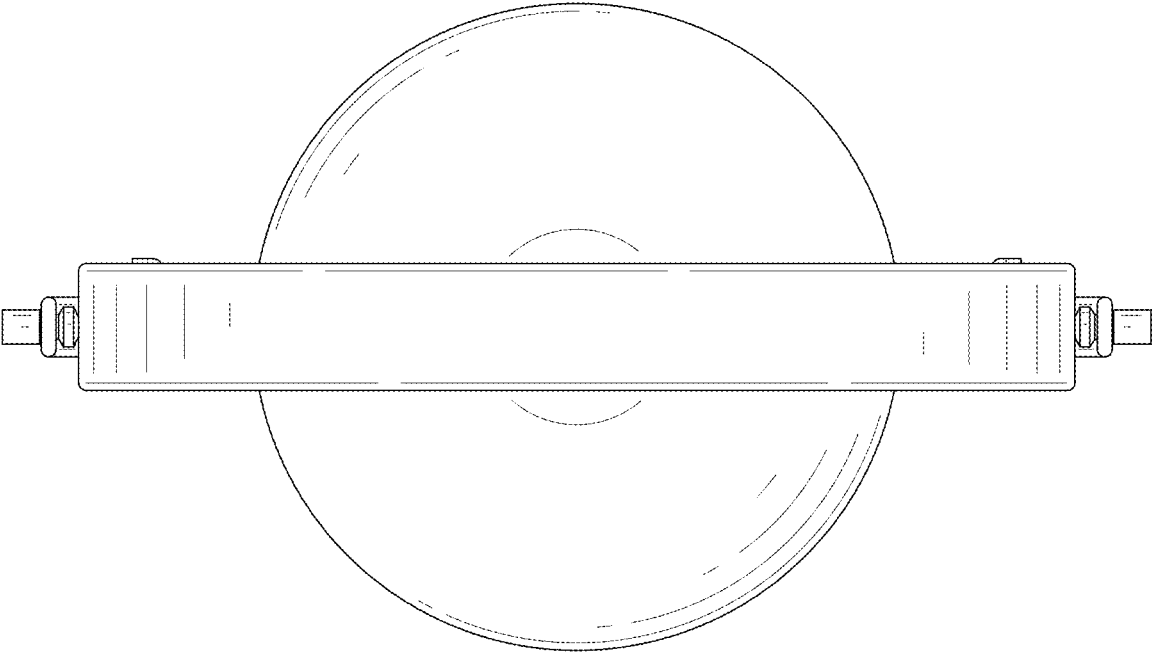


FIG. 7

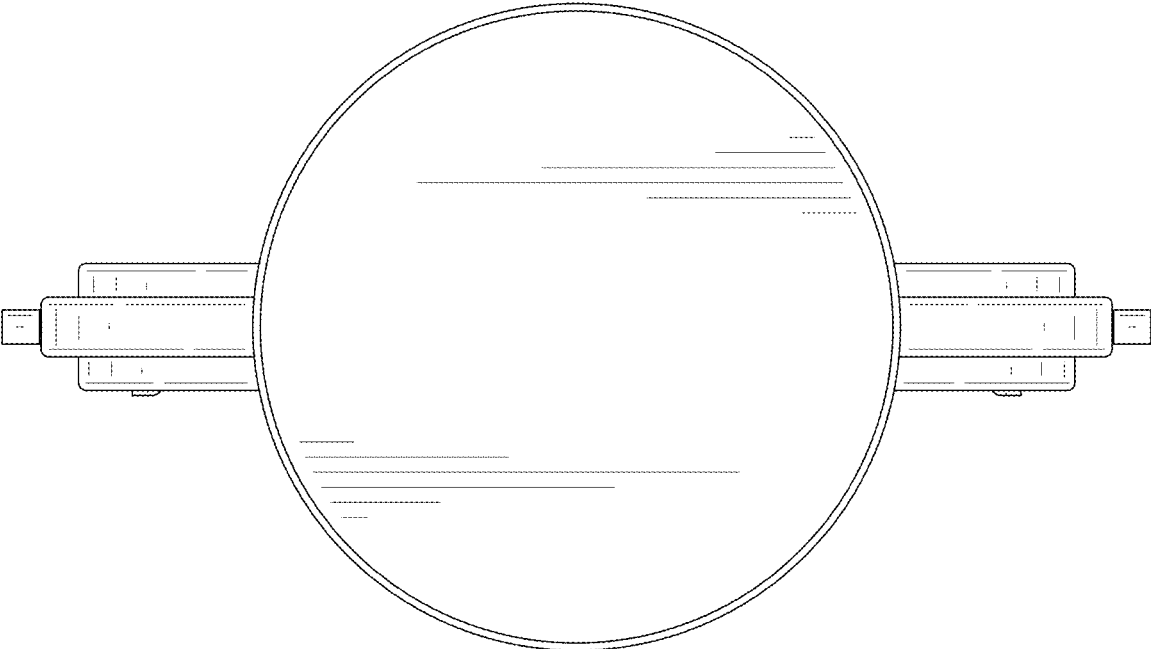


FIG. 8

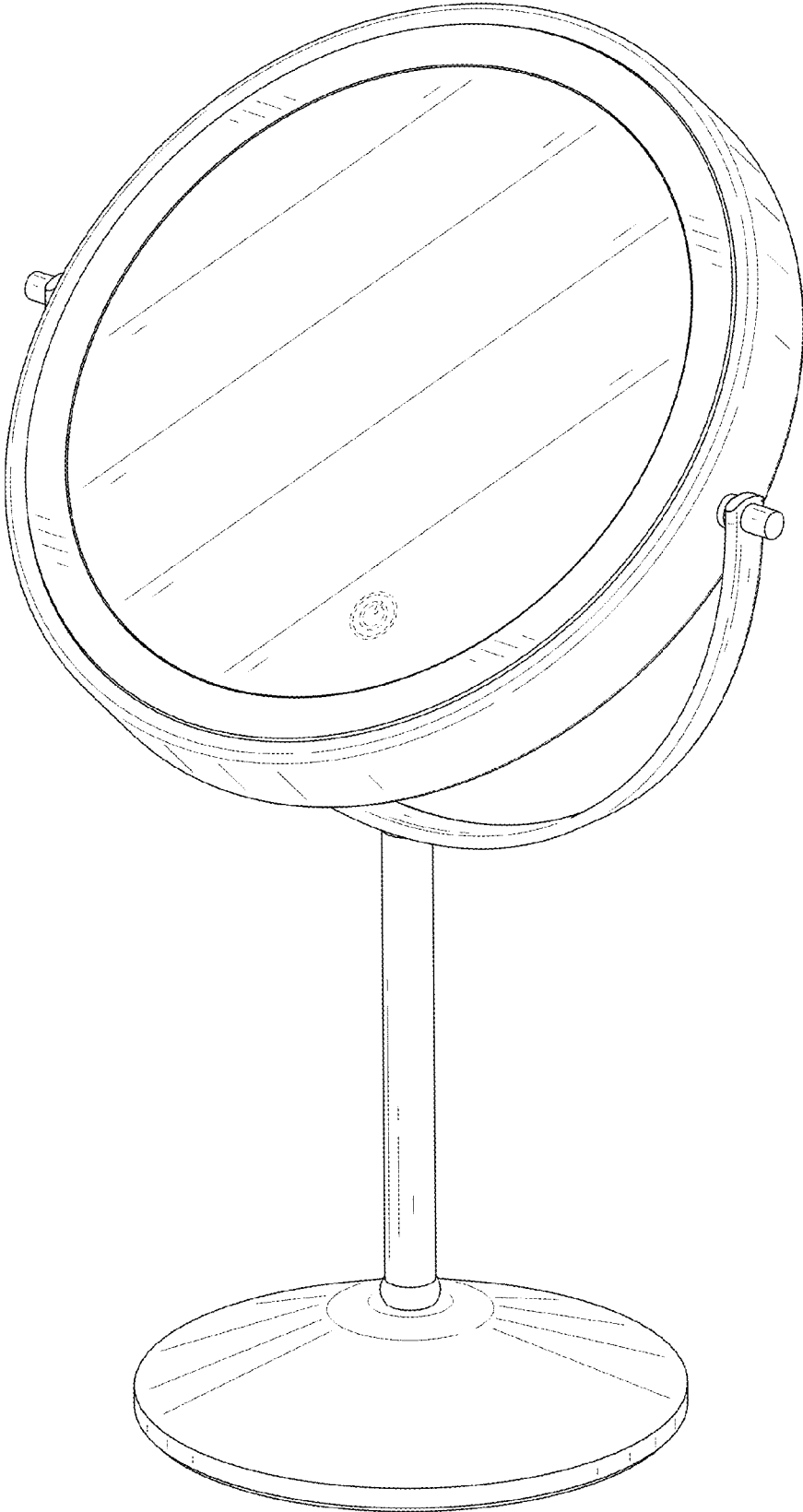


FIG. 9

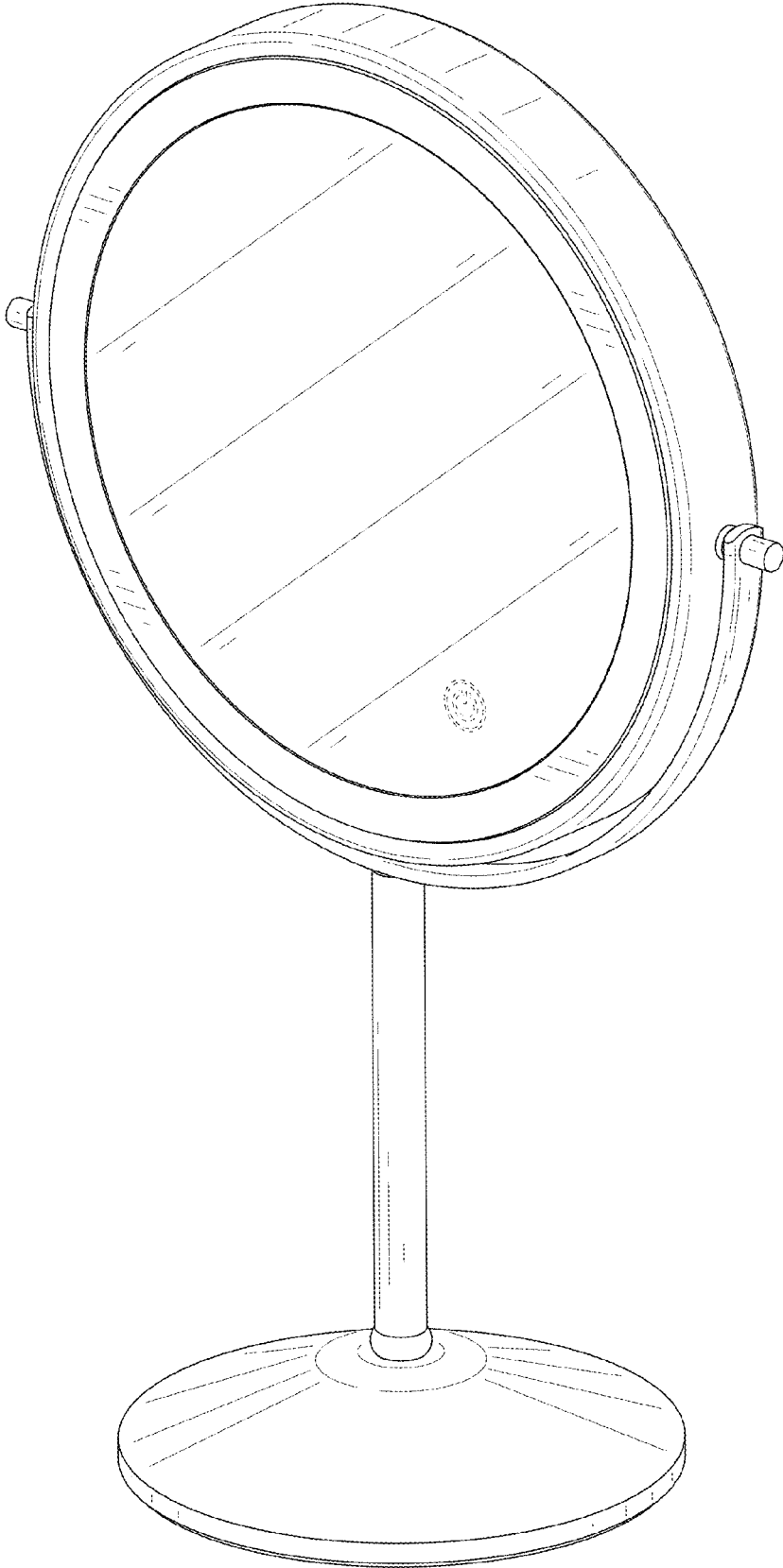


FIG. 10

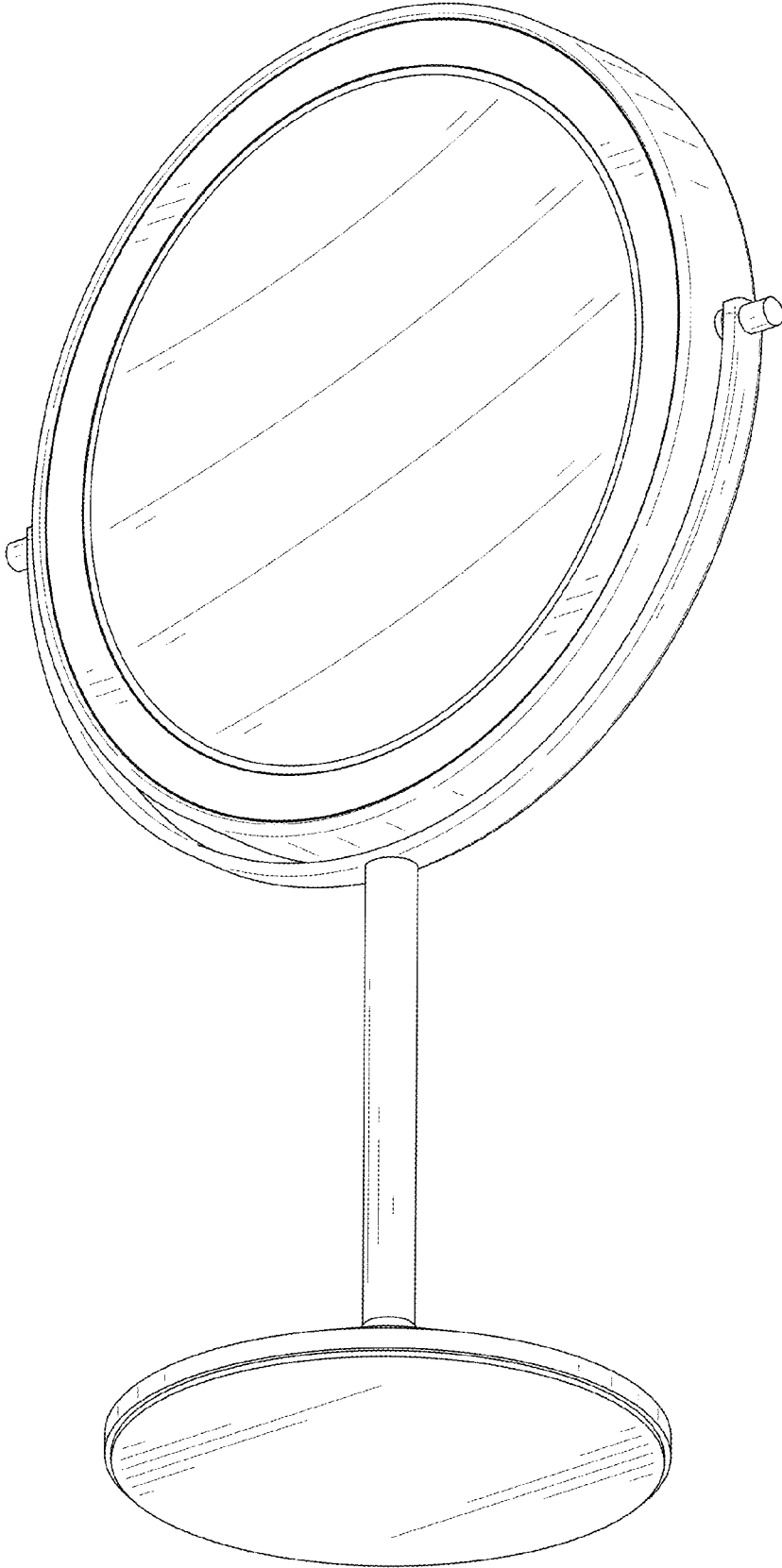


FIG. 11

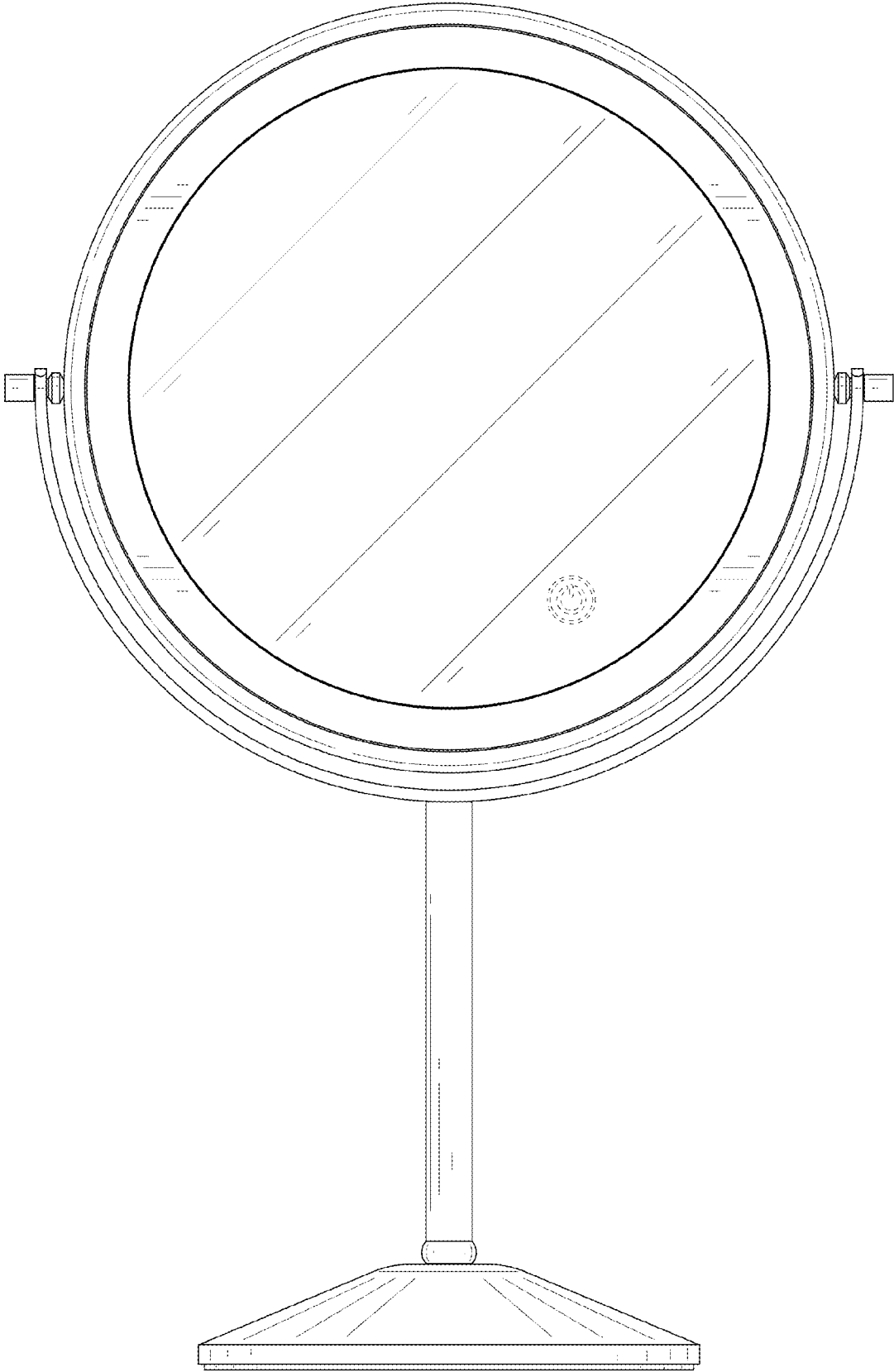


FIG. 12

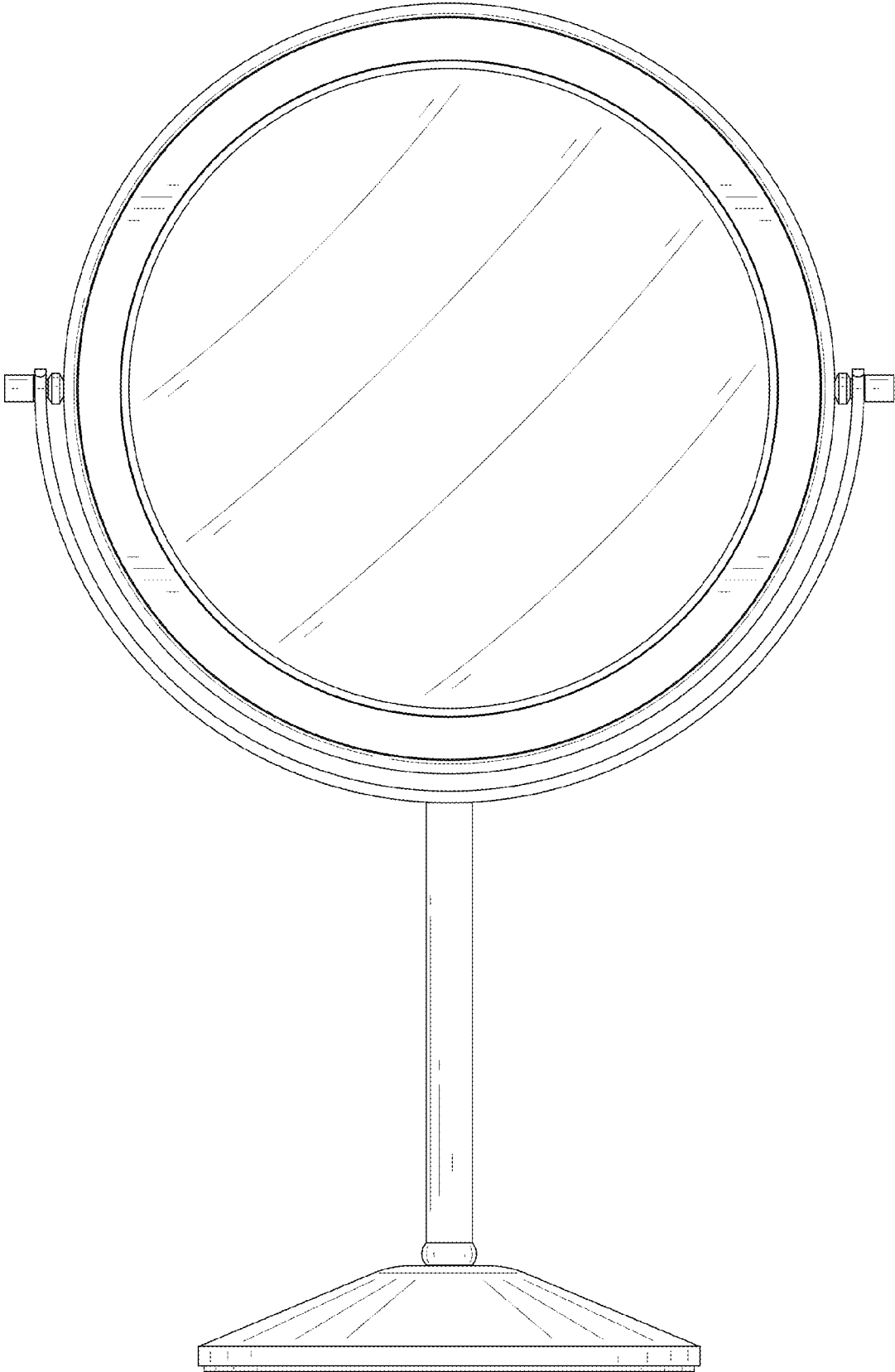


FIG. 13

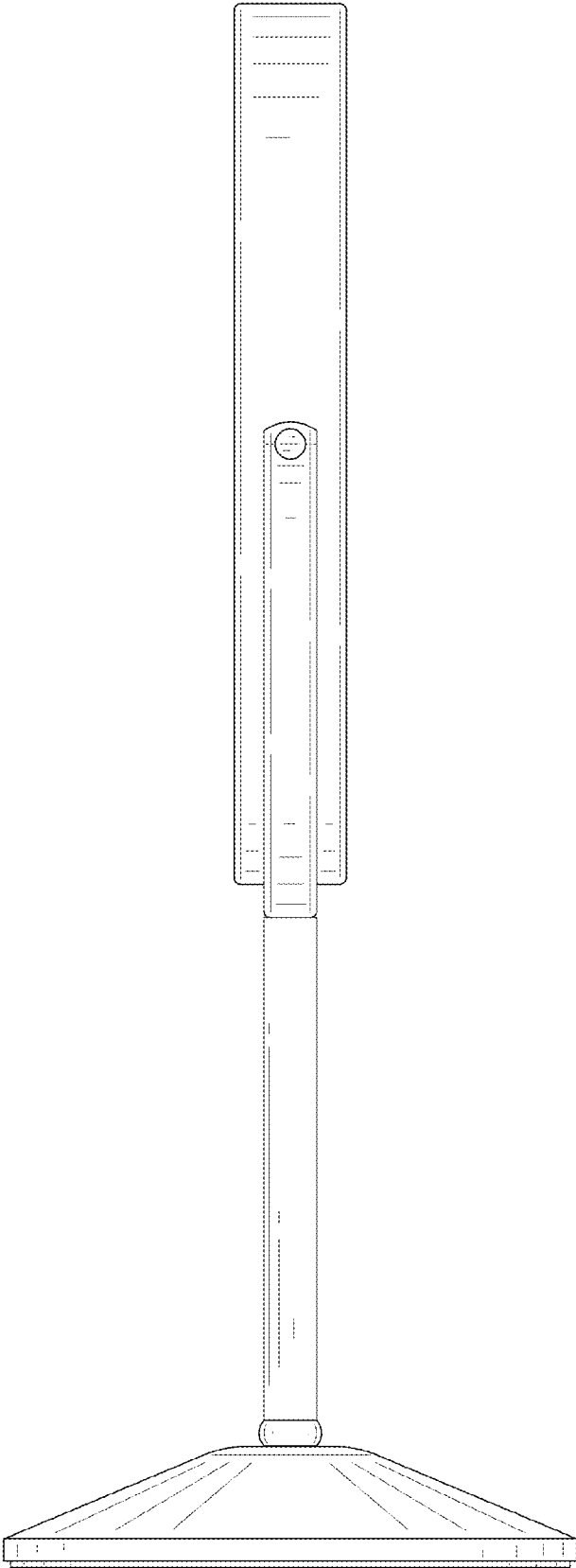


FIG. 14

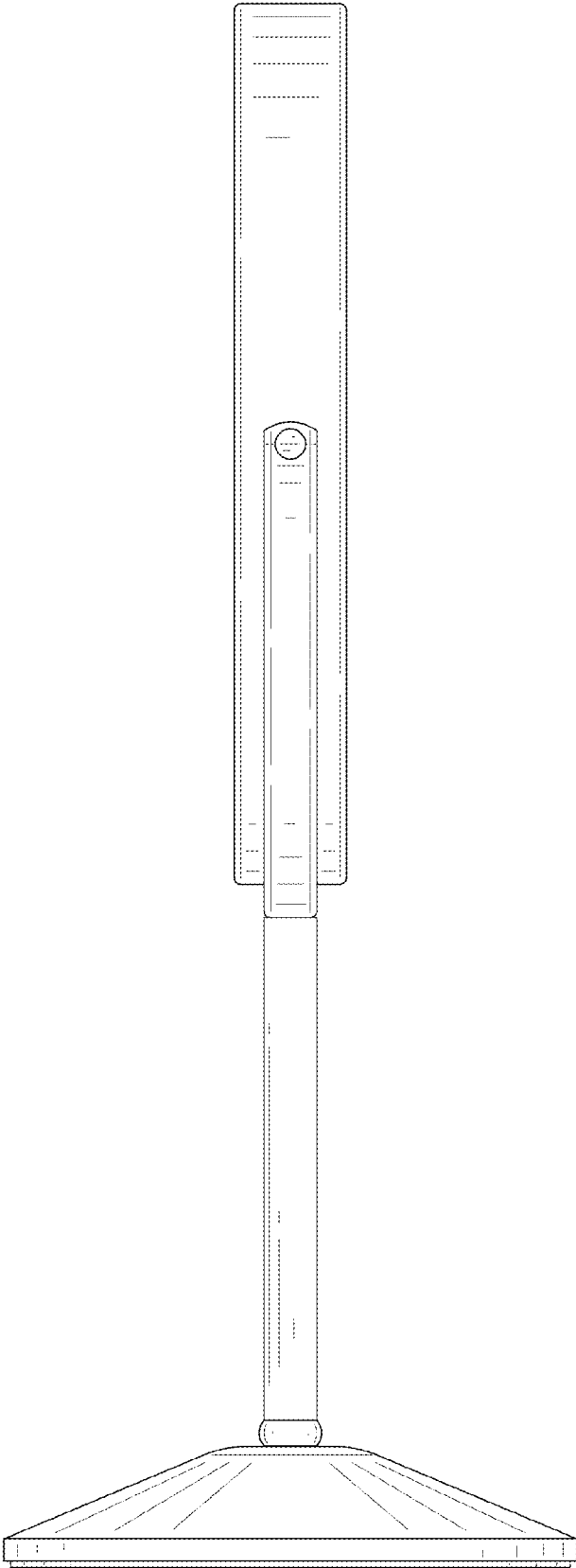


FIG. 15

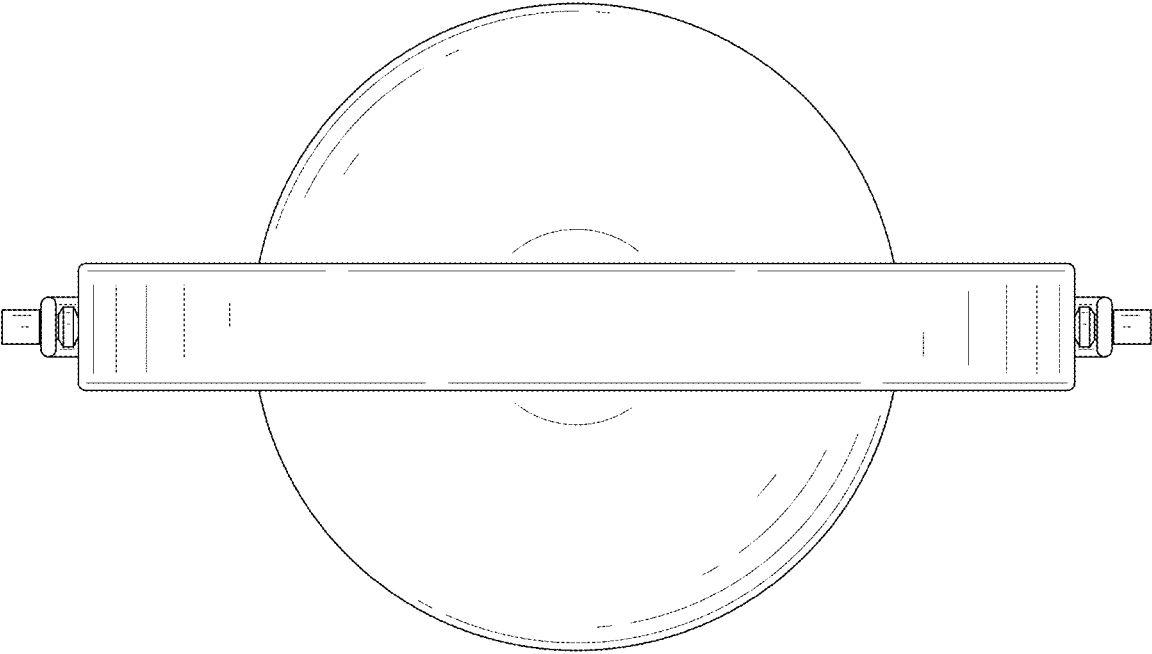


FIG. 16

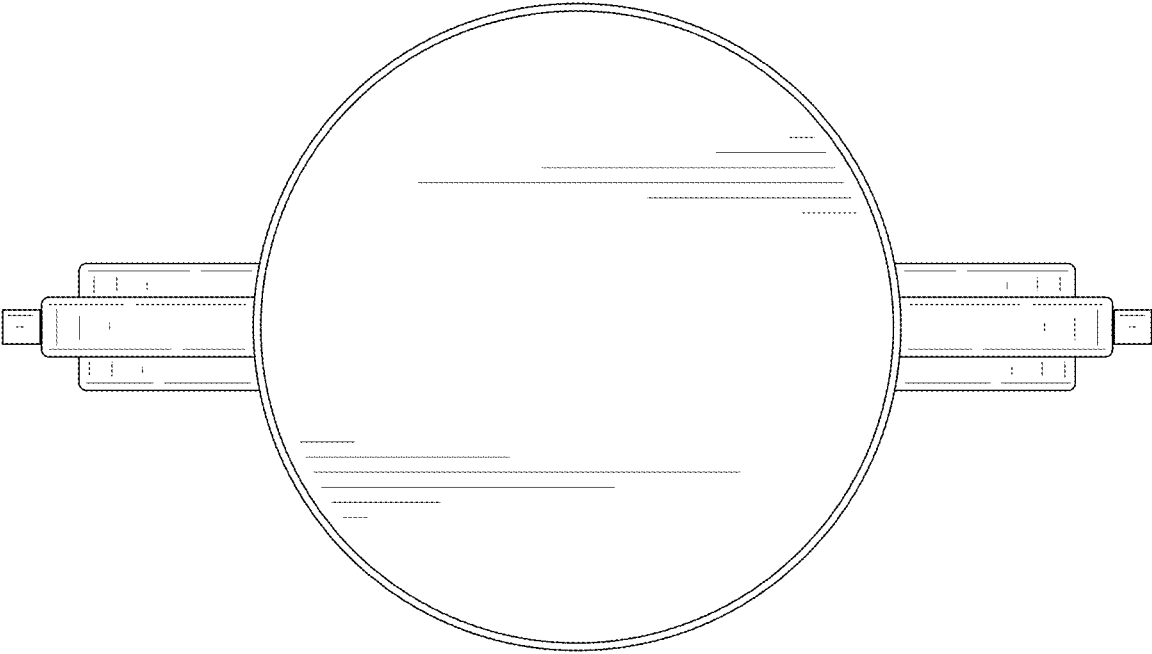


FIG. 17

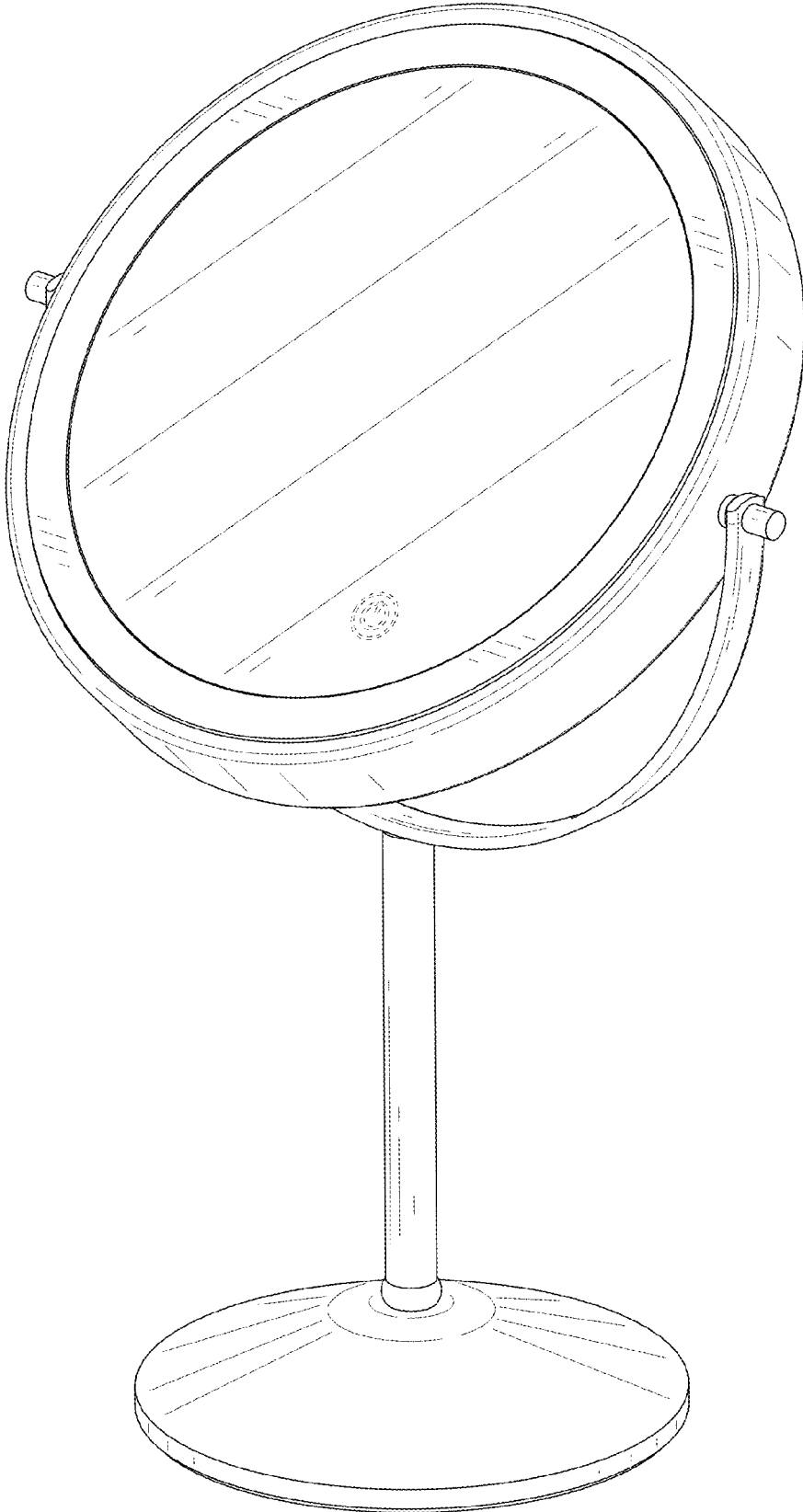


FIG. 18