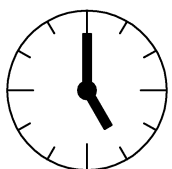
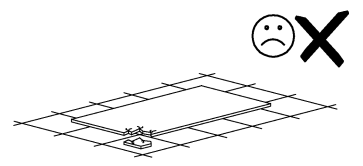
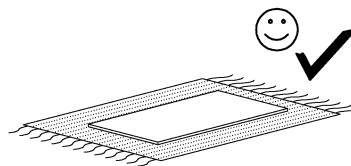
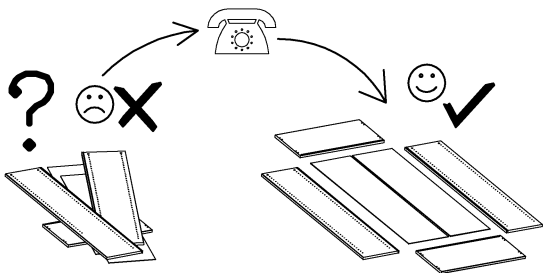
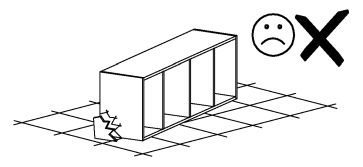
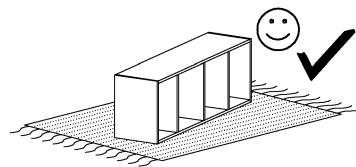
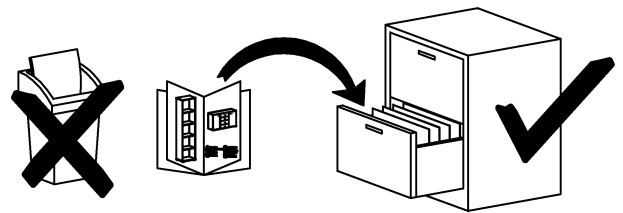
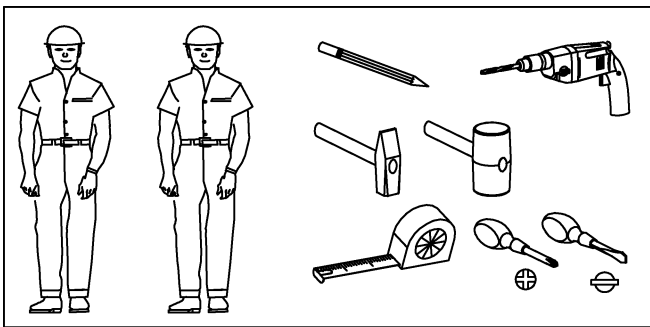
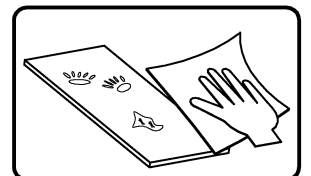
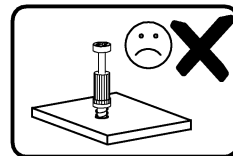
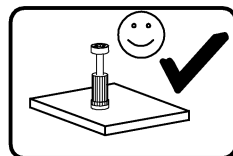
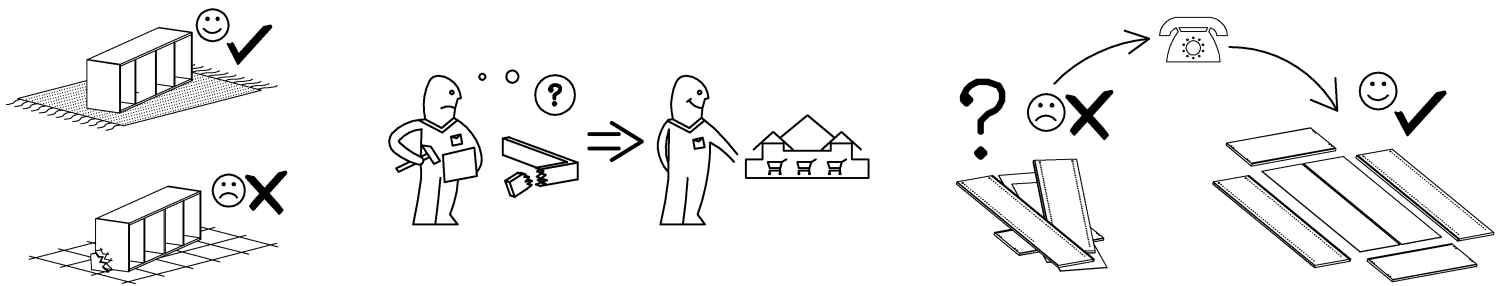


PUSH



1,5h

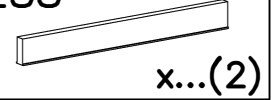




OPCJA A

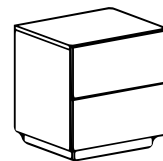


E88



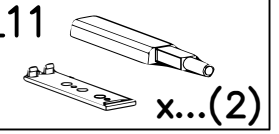
x...(2)

OPCJA B

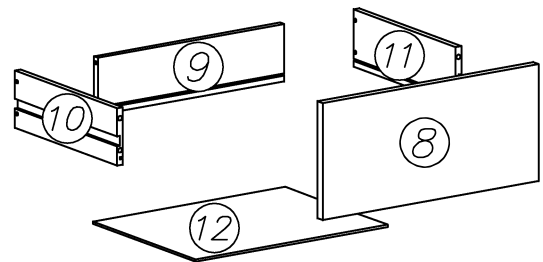
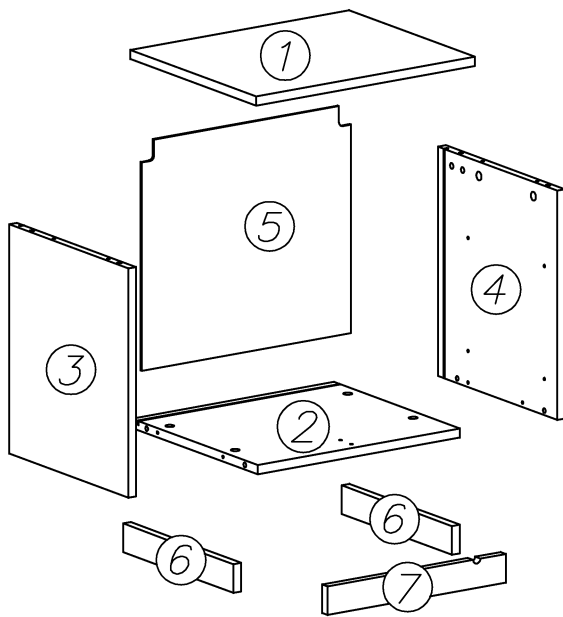


PUSH

L11

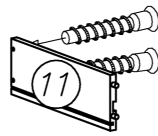
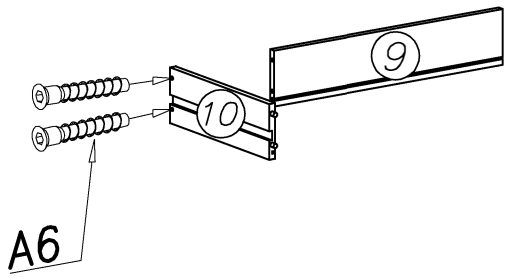


x...(2)

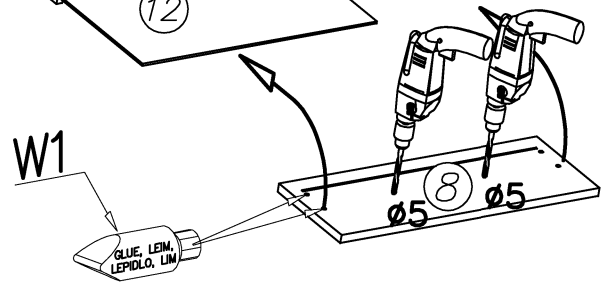
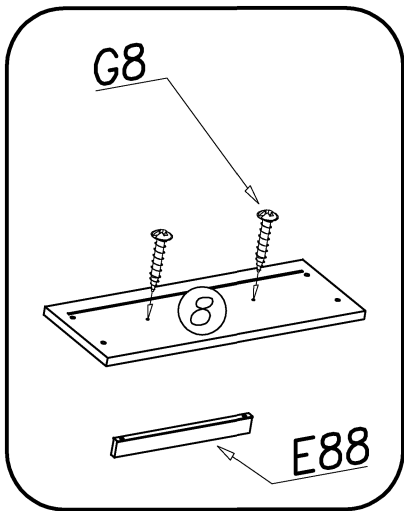
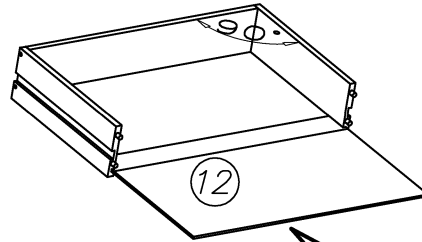
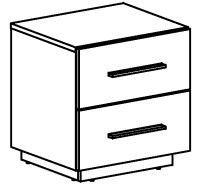


<p>A6</p> <p>∅7x40 x...(8)</p>	<p>G50</p> <p>6x13 x...(12)</p>	<p>F15</p> <p>x...(8)</p>		
<p>H3</p> <p>280mm x...(4)</p>	<p>I1</p> <p>x...(6)</p>	<p>W1</p> <p>GLUE, LEIM, LEPIDLO, LIM x...(1)</p>	<p>W10</p> <p>300mm x...(1)</p>	
<p>K1</p> <p>∅15x12 x...(8)</p>	<p>G8</p> <p>4x30 x...(4)</p>	<p>N1</p> <p>M4x9 x...(4)</p>	<p>G56</p> <p>4x16 x...(32)</p>	
<p>K10</p> <p>x...(8)</p>	<p>B1</p> <p>∅8x35 x...(8)</p>	<p>W2</p> <p>x...(1)</p>	<p>P4</p> <p>x...(6)</p>	

I

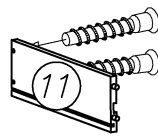
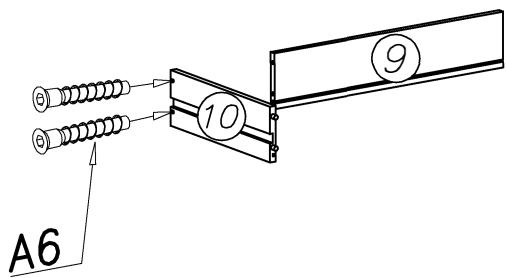


OPCJA A

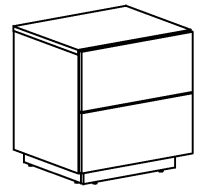


0,5h

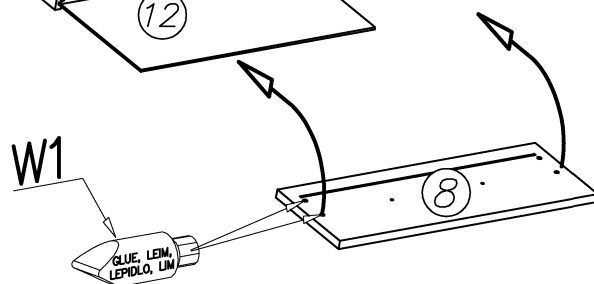
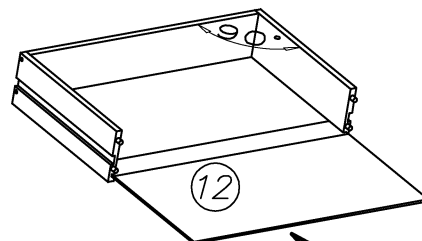
II



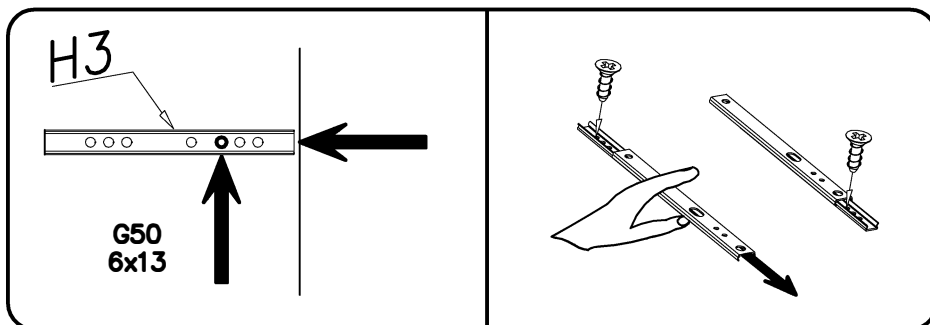
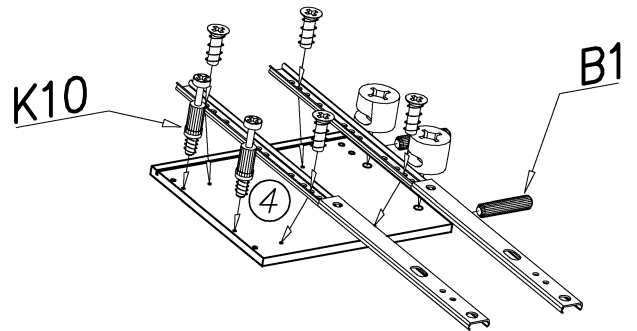
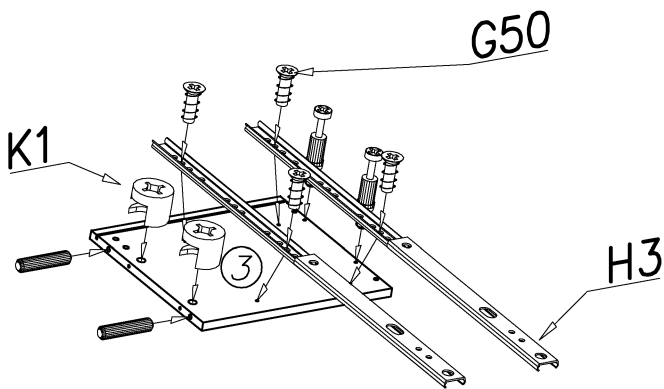
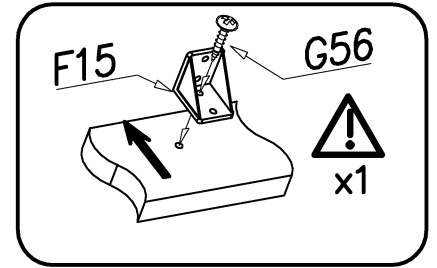
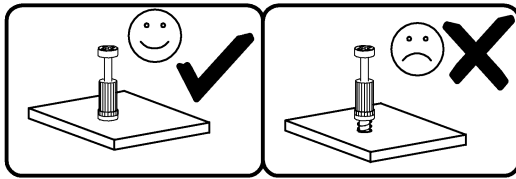
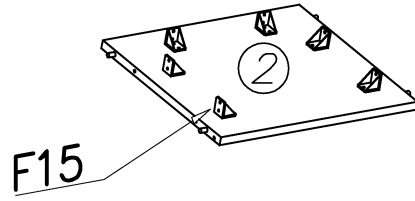
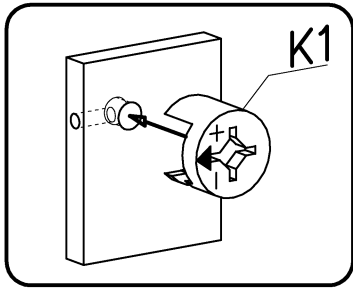
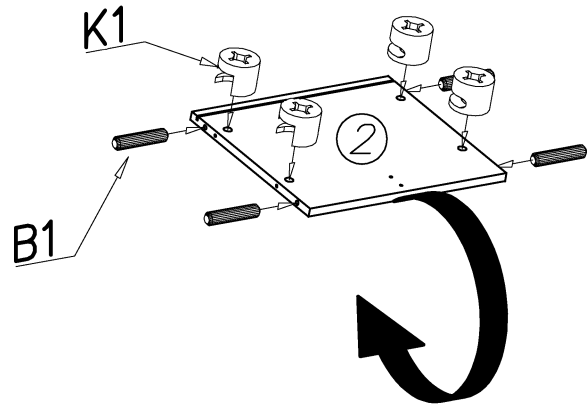
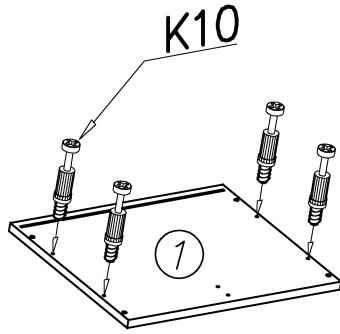
OPCJA B



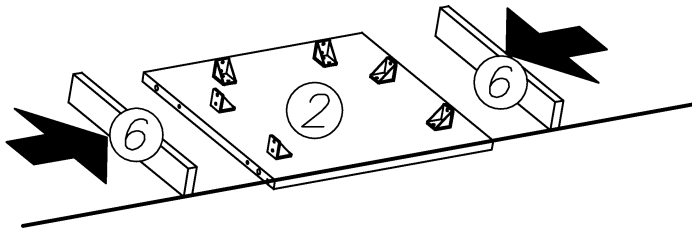
PUSH



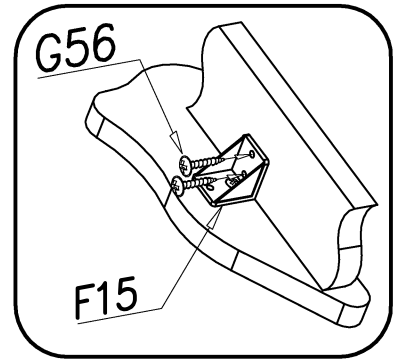
III



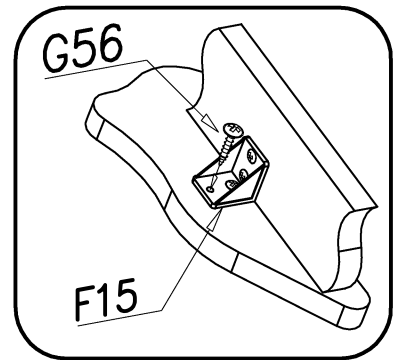
IV



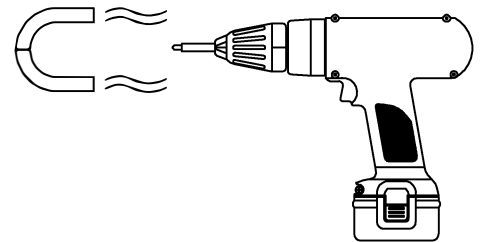
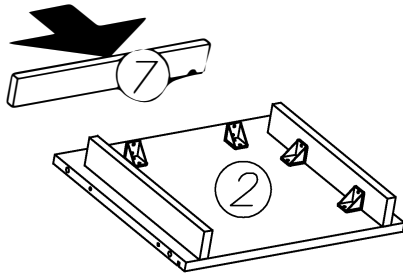
1.



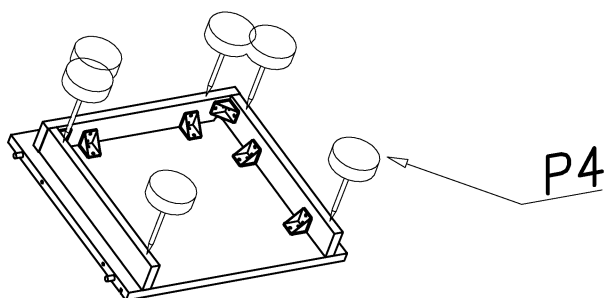
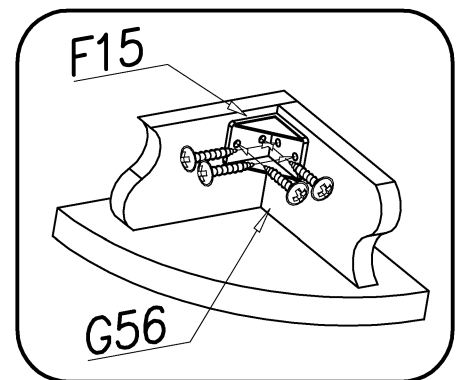
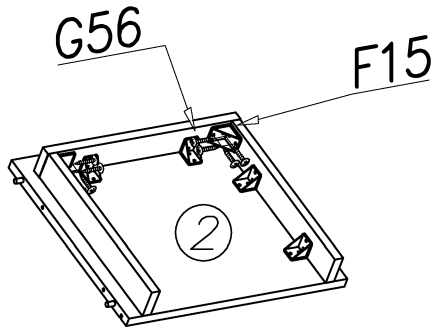
2.



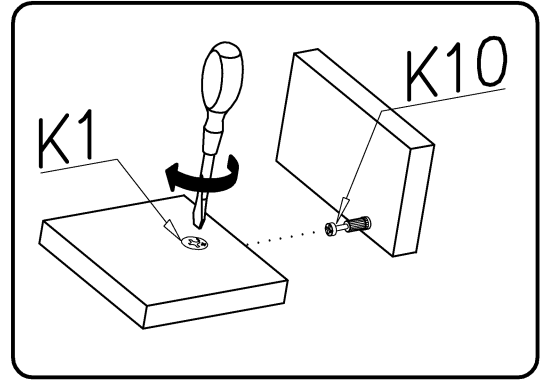
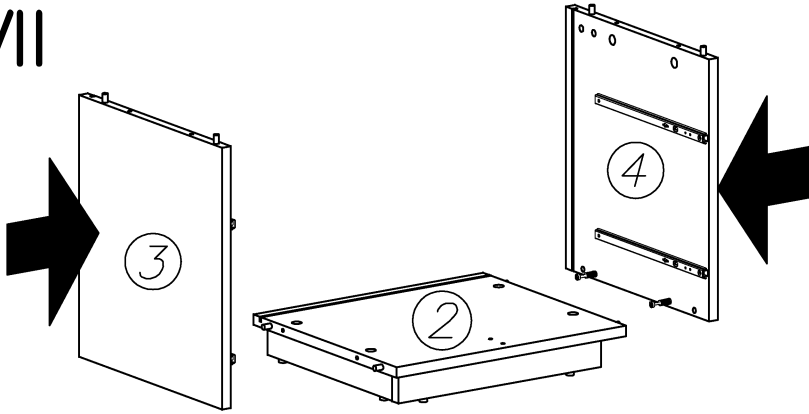
V



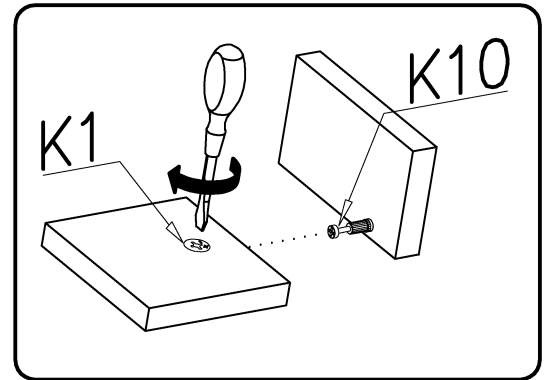
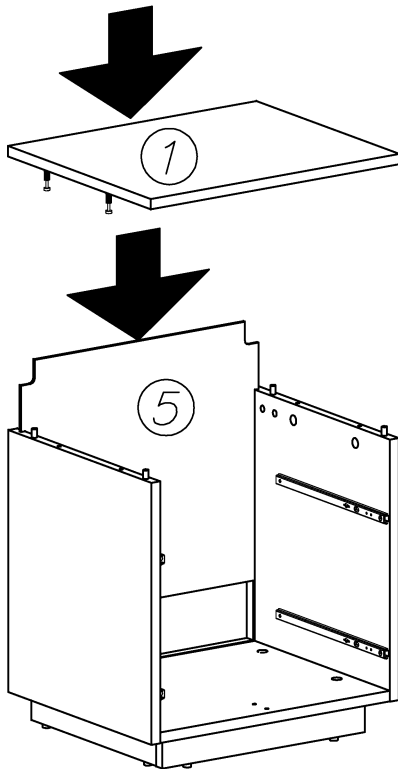
VI



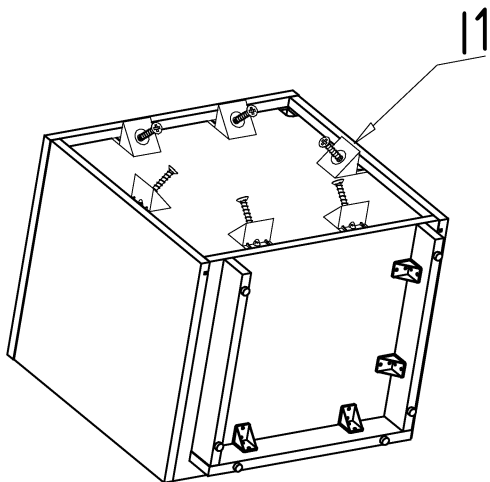
VII



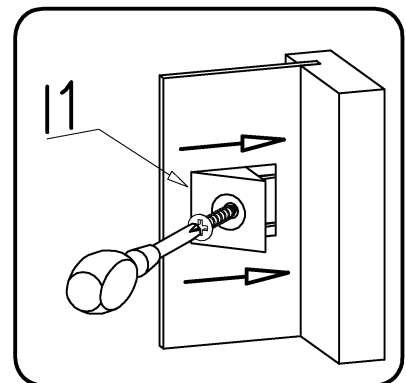
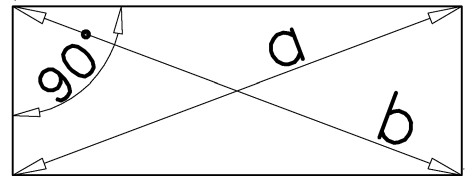
VIII



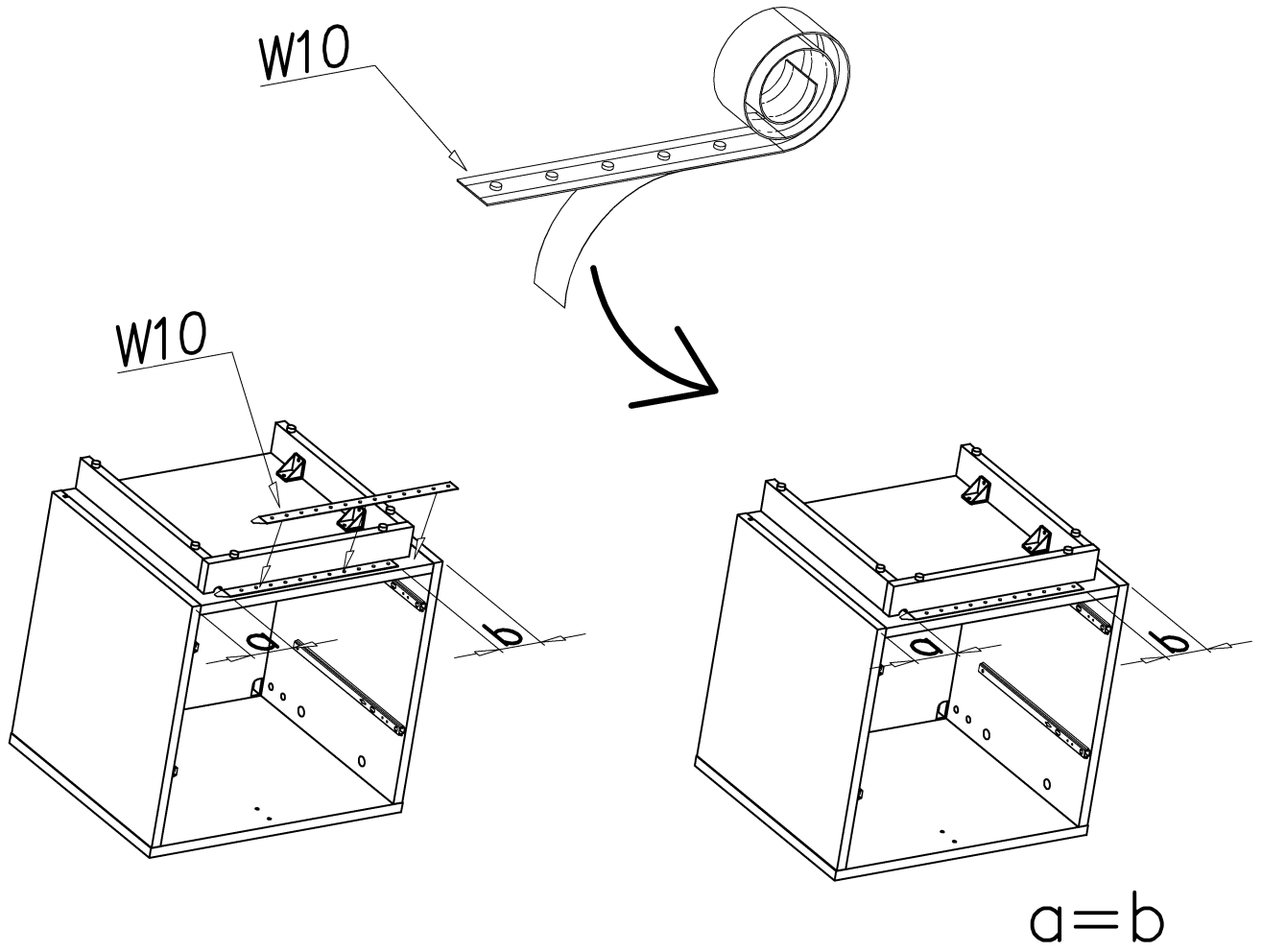
IX



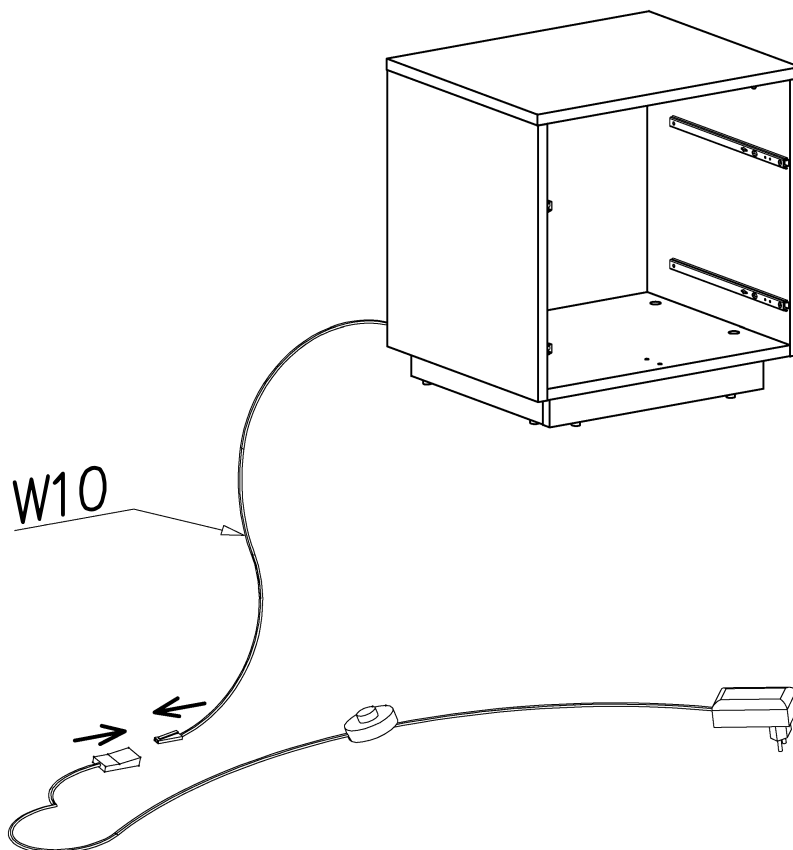
$$a = b$$



X

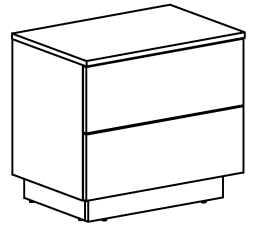


XI

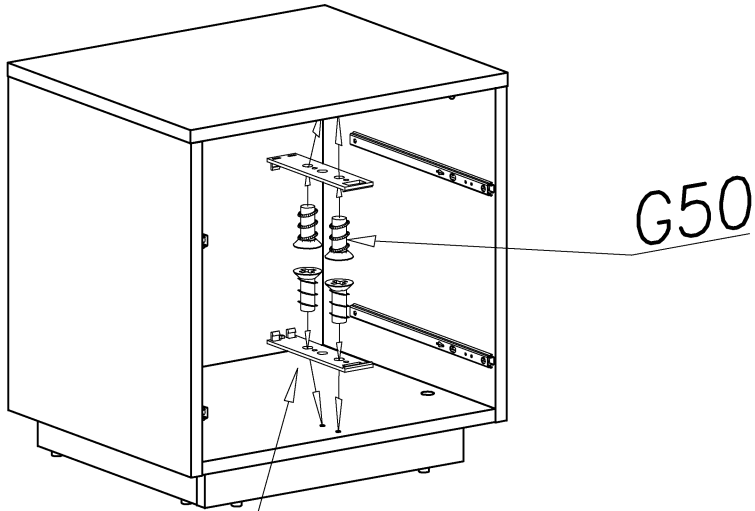


XII

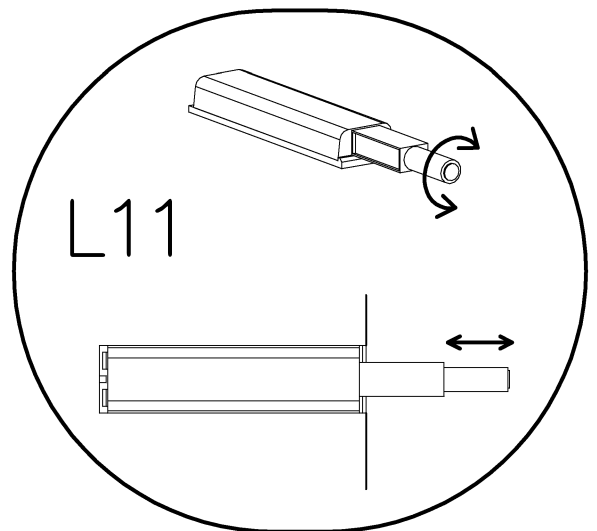
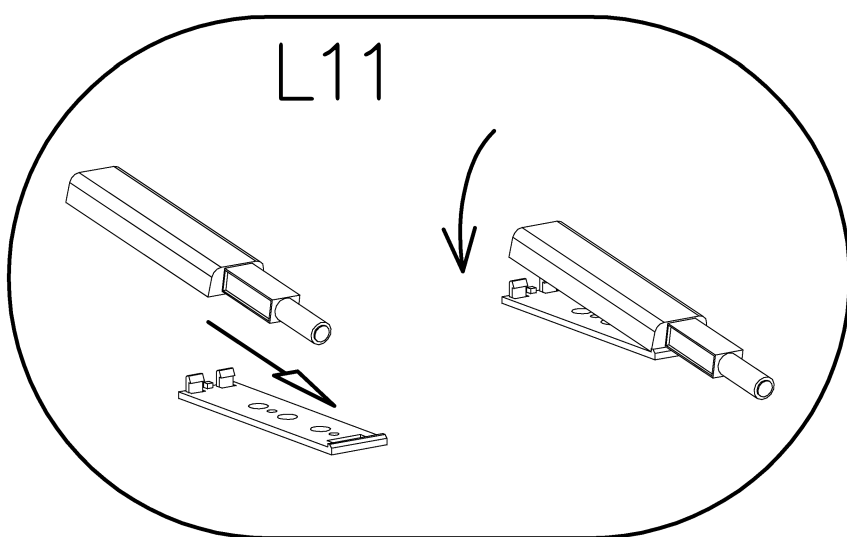
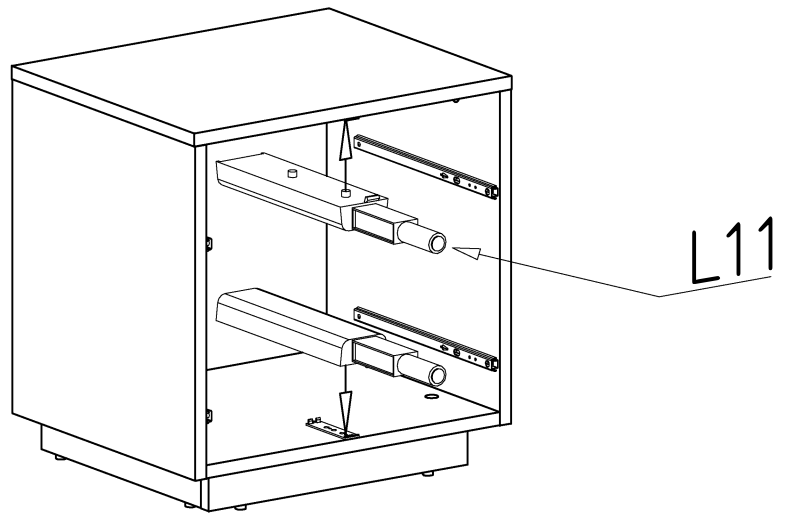
OPCJA B



PUSH



L11



XIII

