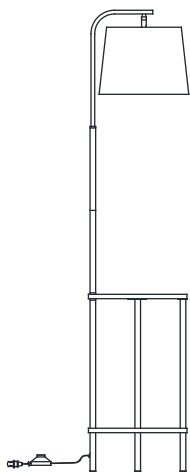


Shelf Floor Lamp

[Instruction Manual]

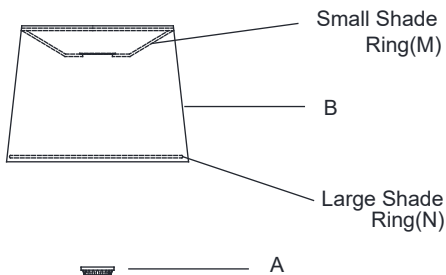


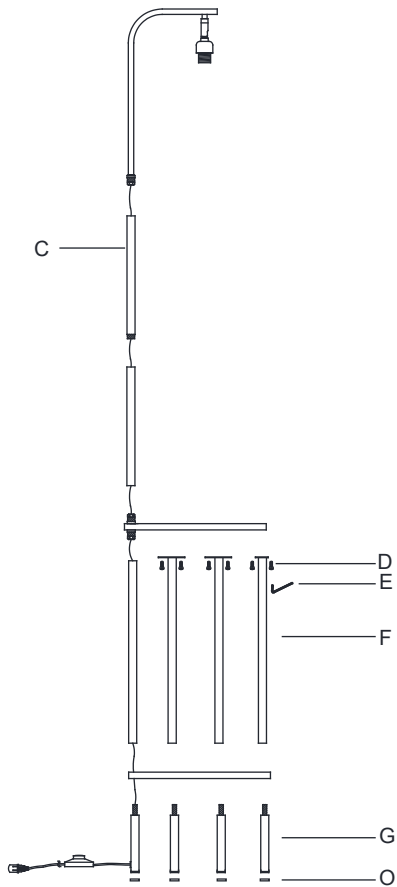
CAUTION











1. Before assembly, place all parts out on a clean flat surface and inspect each part for defects that may have occurred during shipping.
2. Inspect wire insulation for any cuts, abrasions or exposed copper that may have resulted during shipping. If there are any defects in the wire, DO NOT continue assembly. Please send an email to our Customer Service immediately
3. Consult a qualified electrician if you have any electrical questions.
4. Never drape clothes over the lamp.
5. To reduce the likelihood of tipping over, we recommend placing the lamp behind furniture and keep children and pets away.
6. To prevent children from suffocating and choking, keep them away from packing materials.
7. Please keep this manual and hand it over when you transfer the product.

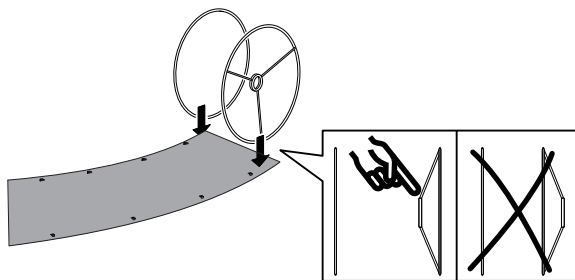
ASSEMBLY INSTRUCTIONS

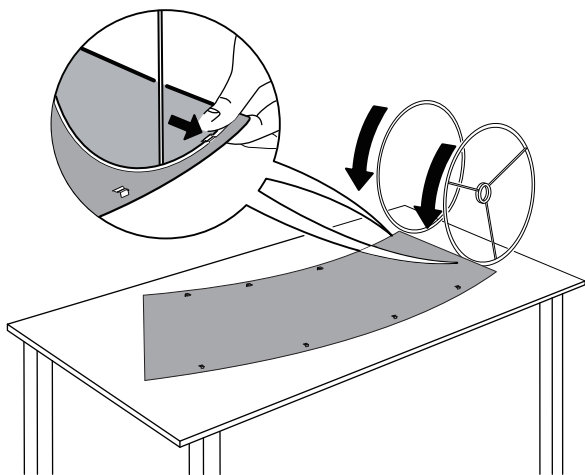
Packing List:

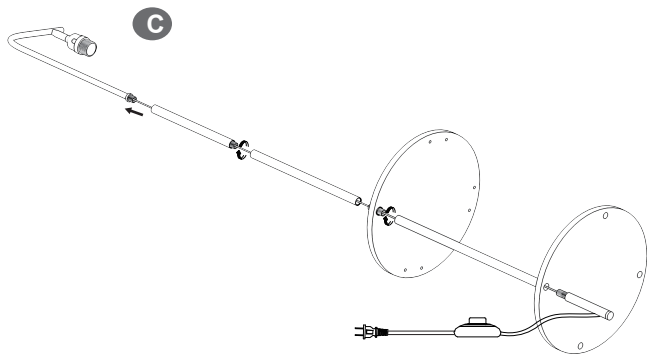
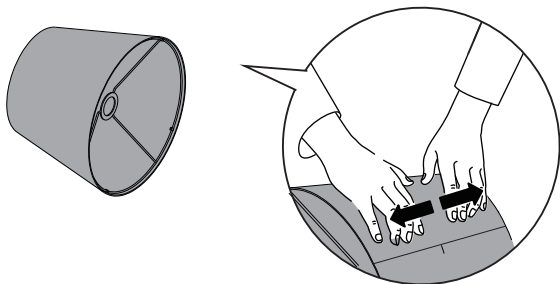


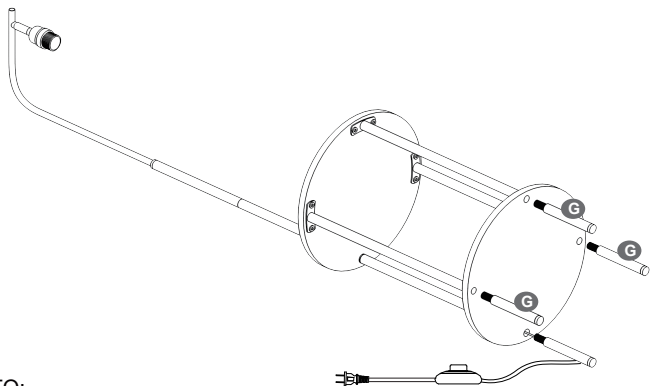
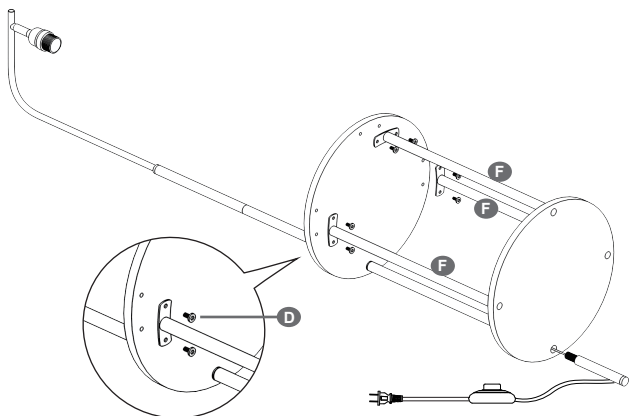


<p>A × 1</p> 	<p>B × 1</p> 	<p>D × 6</p> 	<p>E × 1</p> 
<p>C × 1</p> 			
<p>F × 3</p> 	<p>G × 3</p> 	<p>M × 1</p> 	<p>N × 1</p> 
<p>O × 4</p> 			

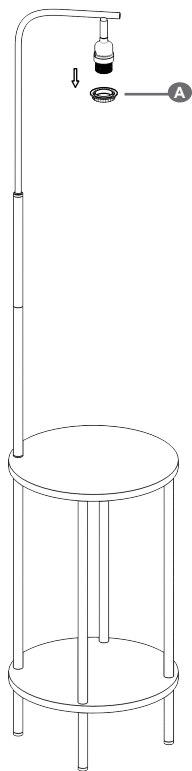
1

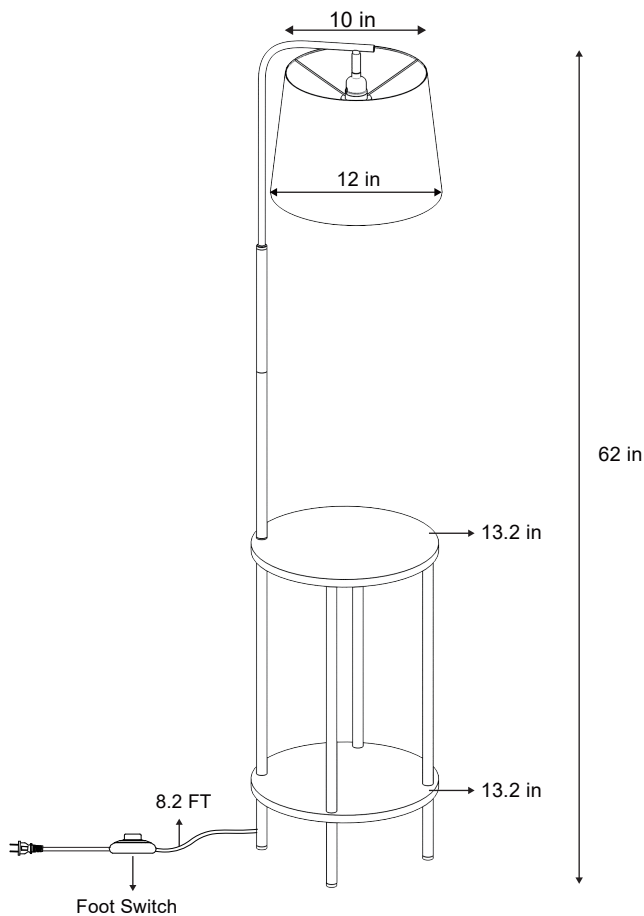
2



**NOTO:**

Pull out any excess power cord through the Tube-G1, Screw the Tube(G&G1) clockwise onto the Tube-F until tight.





Specifications

- Materials: Metal, Wood
- Input Voltage: 120VAC, 60Hz
- Max.load Power: LED/CFL 12W; Incandescent Bulb 60W
- Socket Type: Standard Medium E26

One Year Limited Warranty

We warrant this product to be free from defects in material and workmanship for a period of one year from the date of purchase. Warranty is void if damage is caused by misuse or improper installation.

Our dedicated customer service team will get back to you within 24 hours.