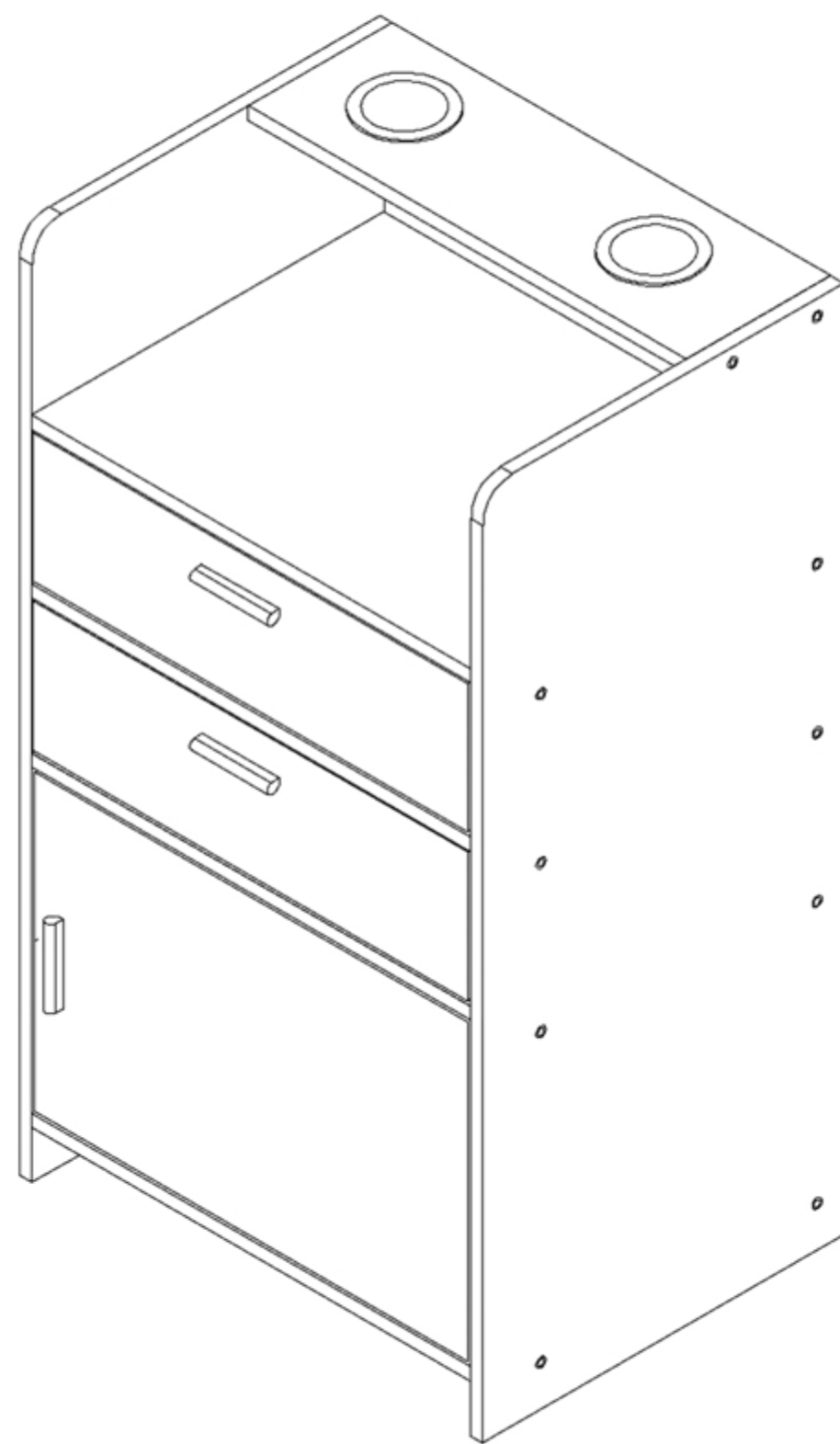
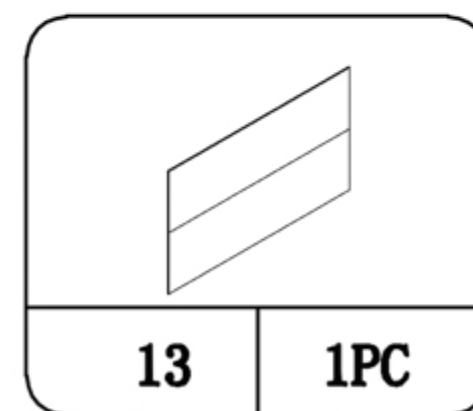
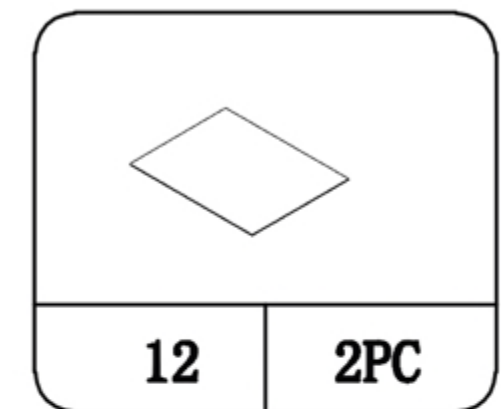
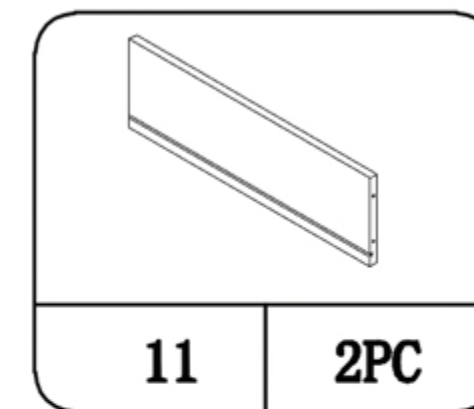
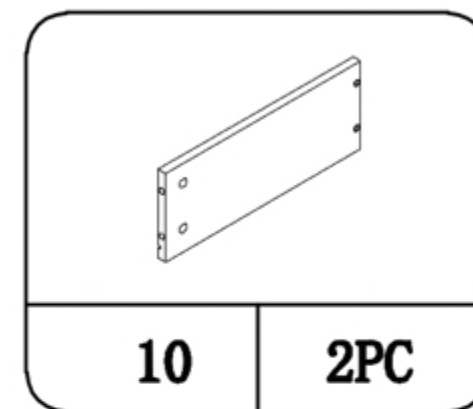
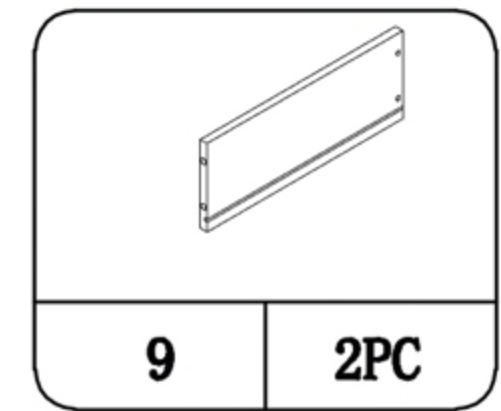
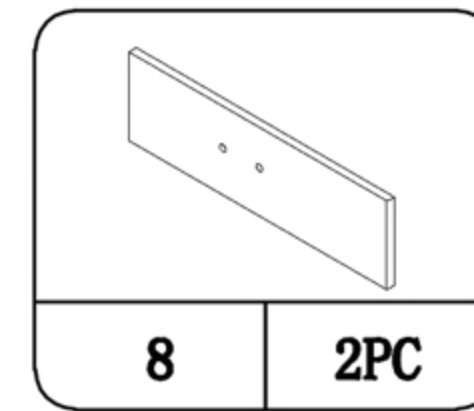
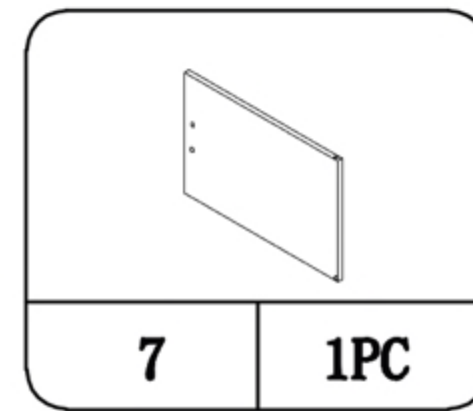
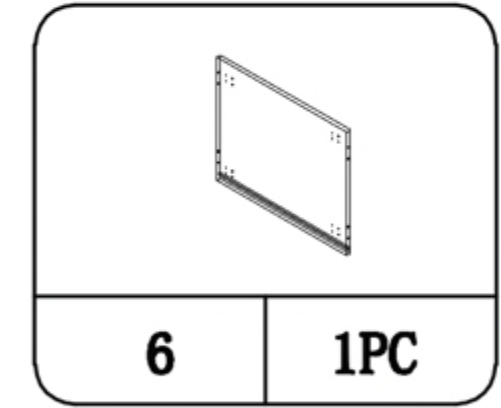
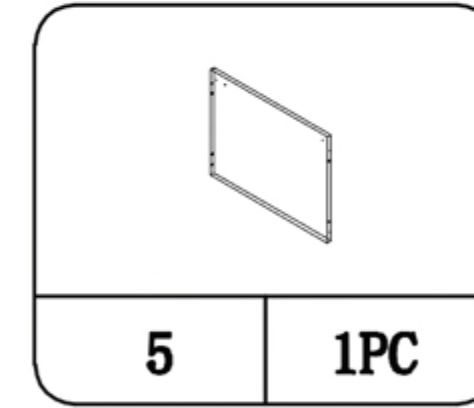
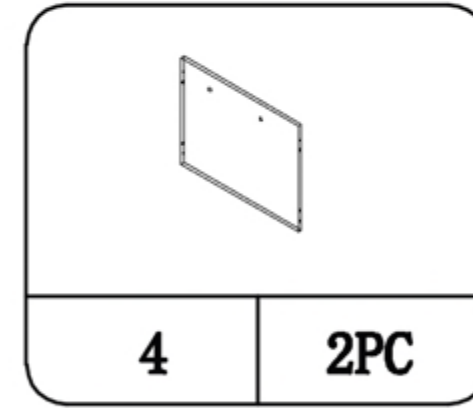
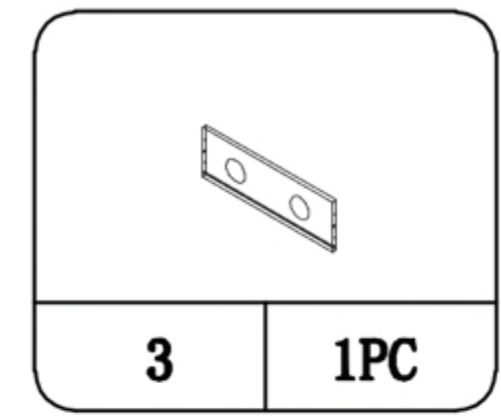
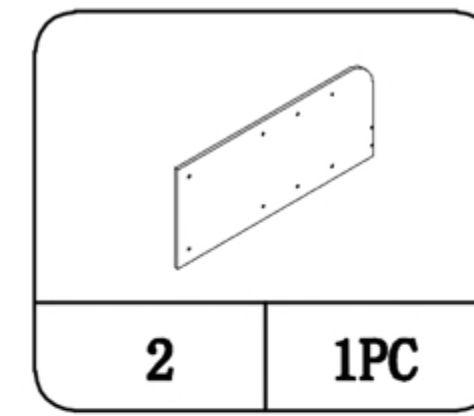
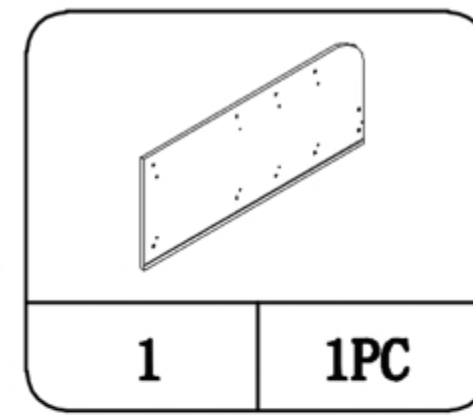
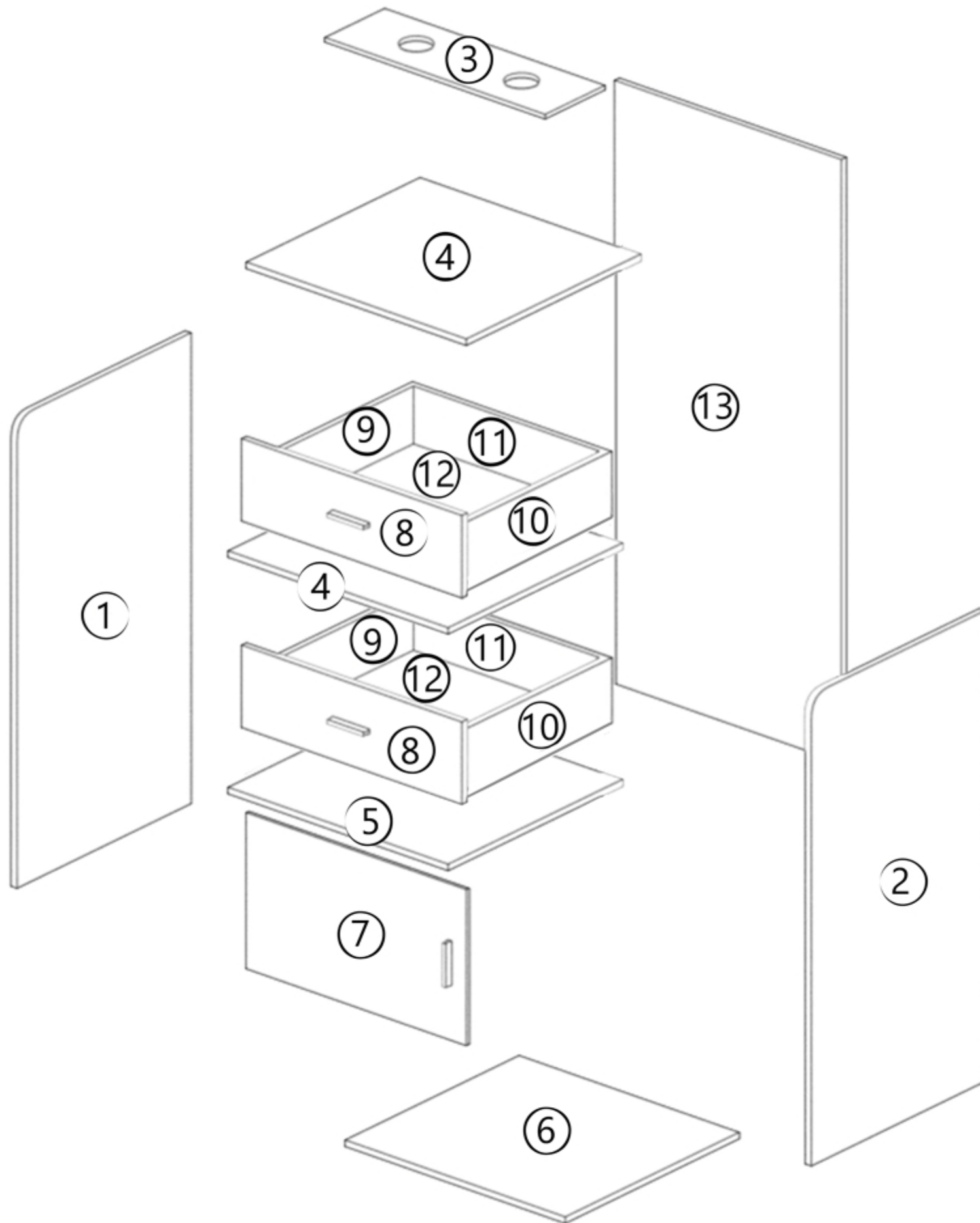
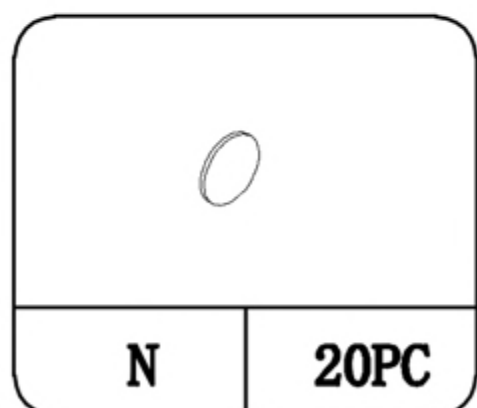
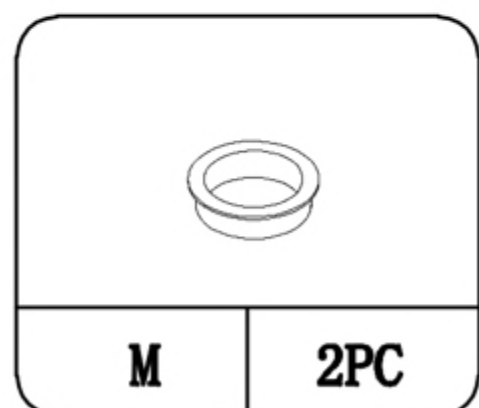
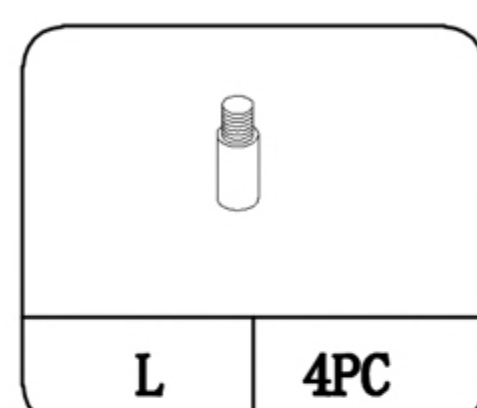
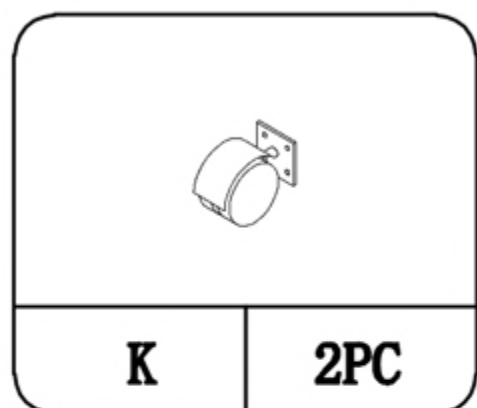
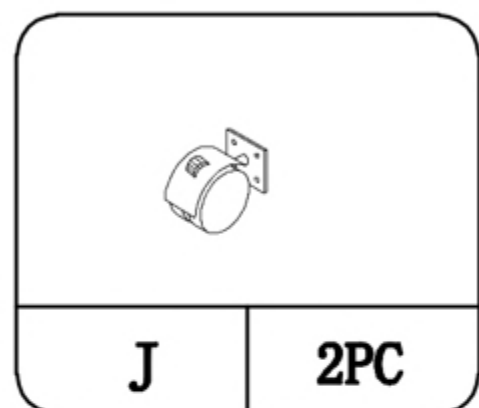
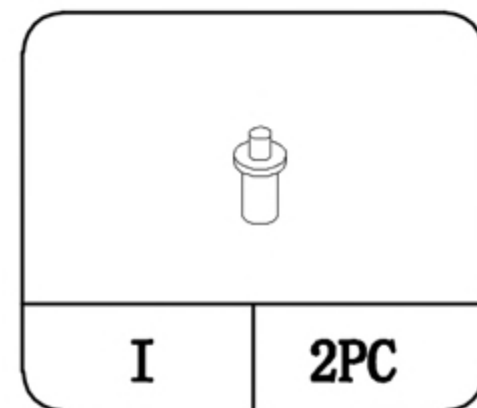
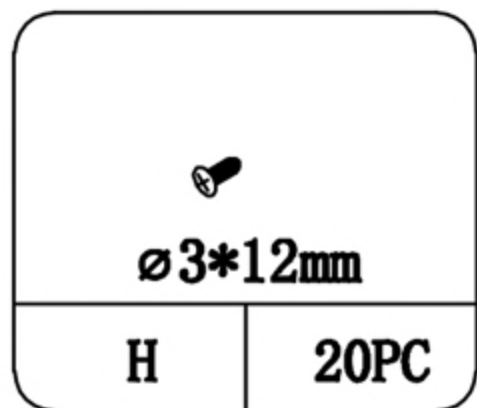
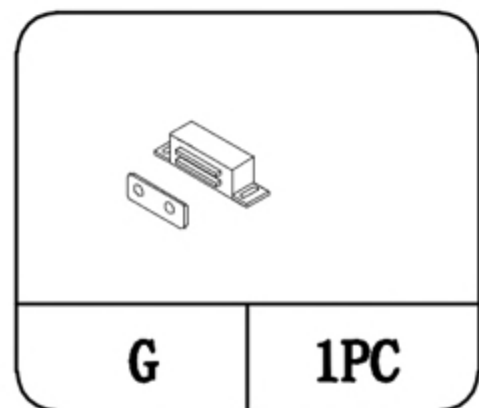
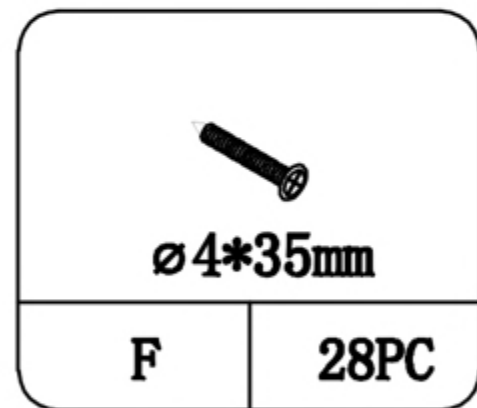
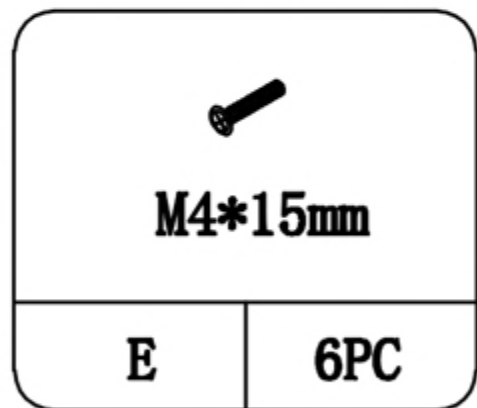
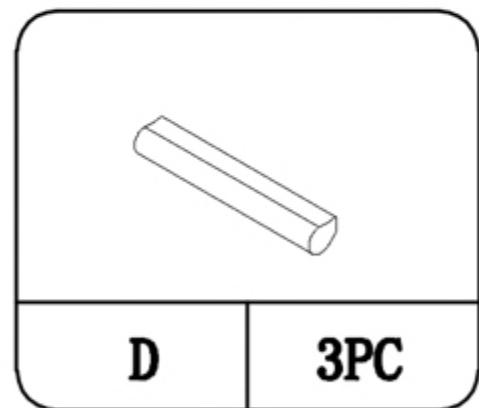
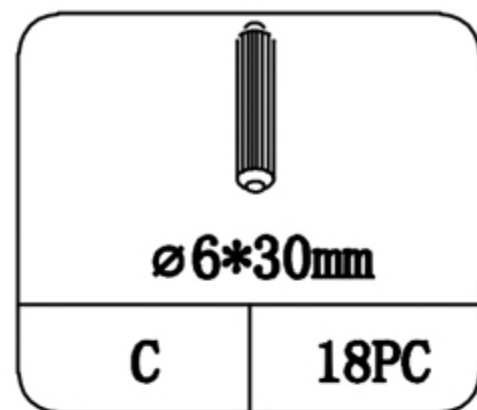
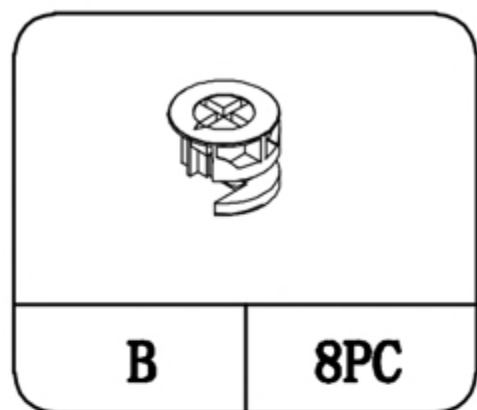
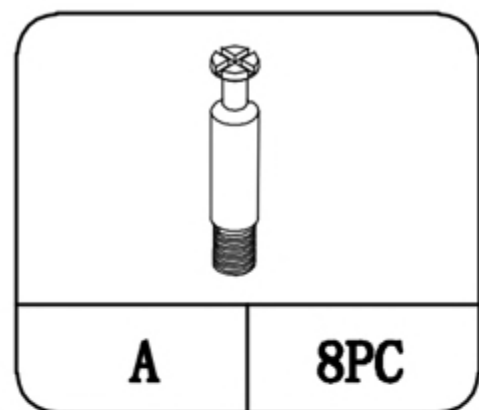


USER'S MANUAL
SALON BEAUTY CABINET CART
SKU:ST002101/LI005801

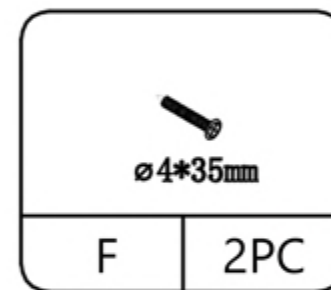
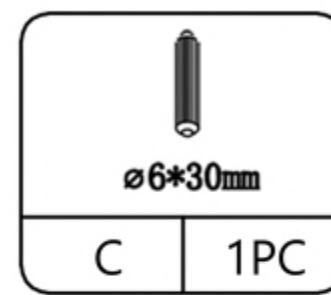


BOARD IDENTIFICATION

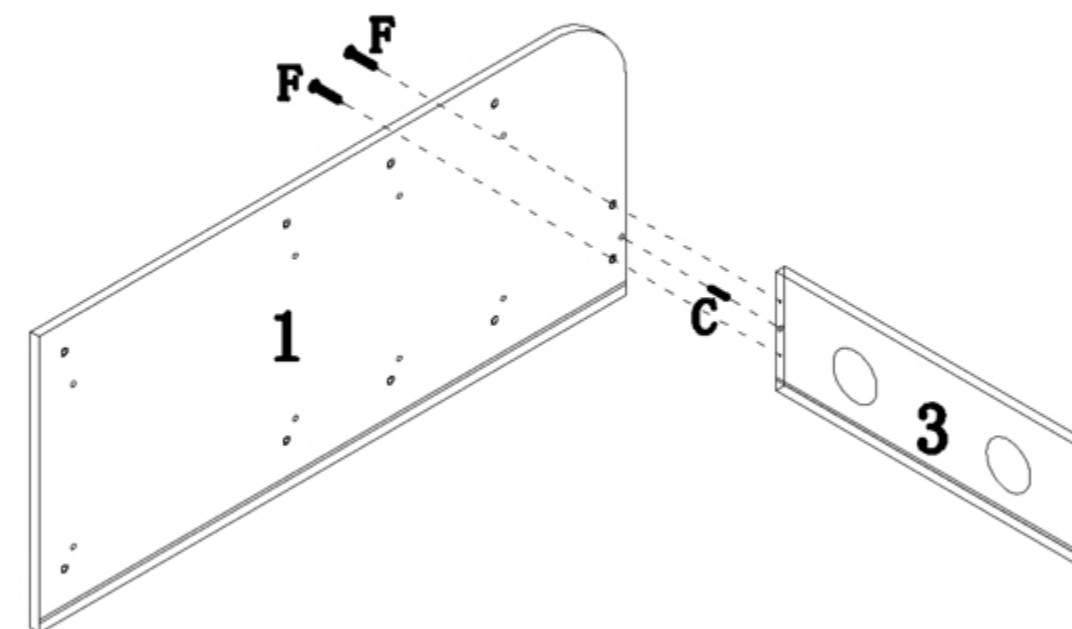




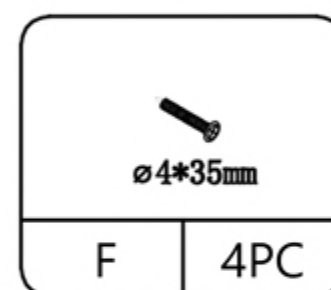
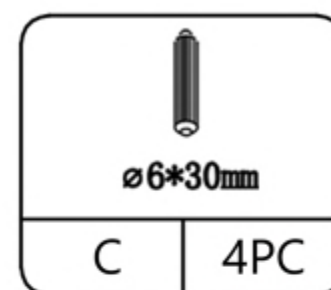
STEP 1



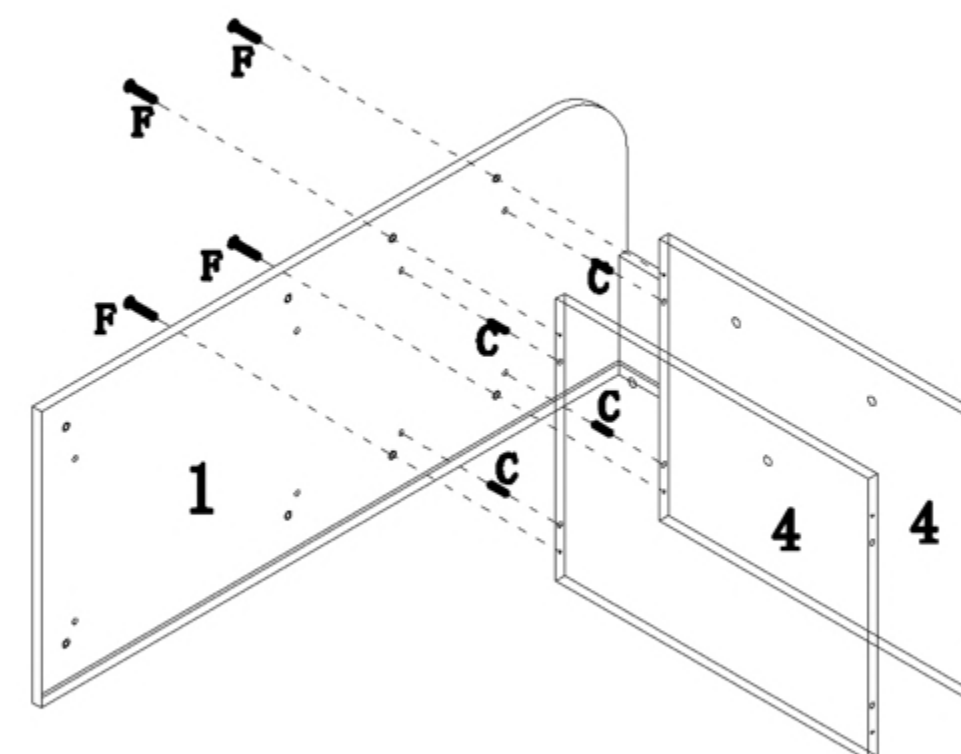
Attach panel (3) to panel (1) with screw (F) and dowel (C).



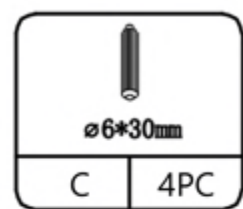
STEP 2



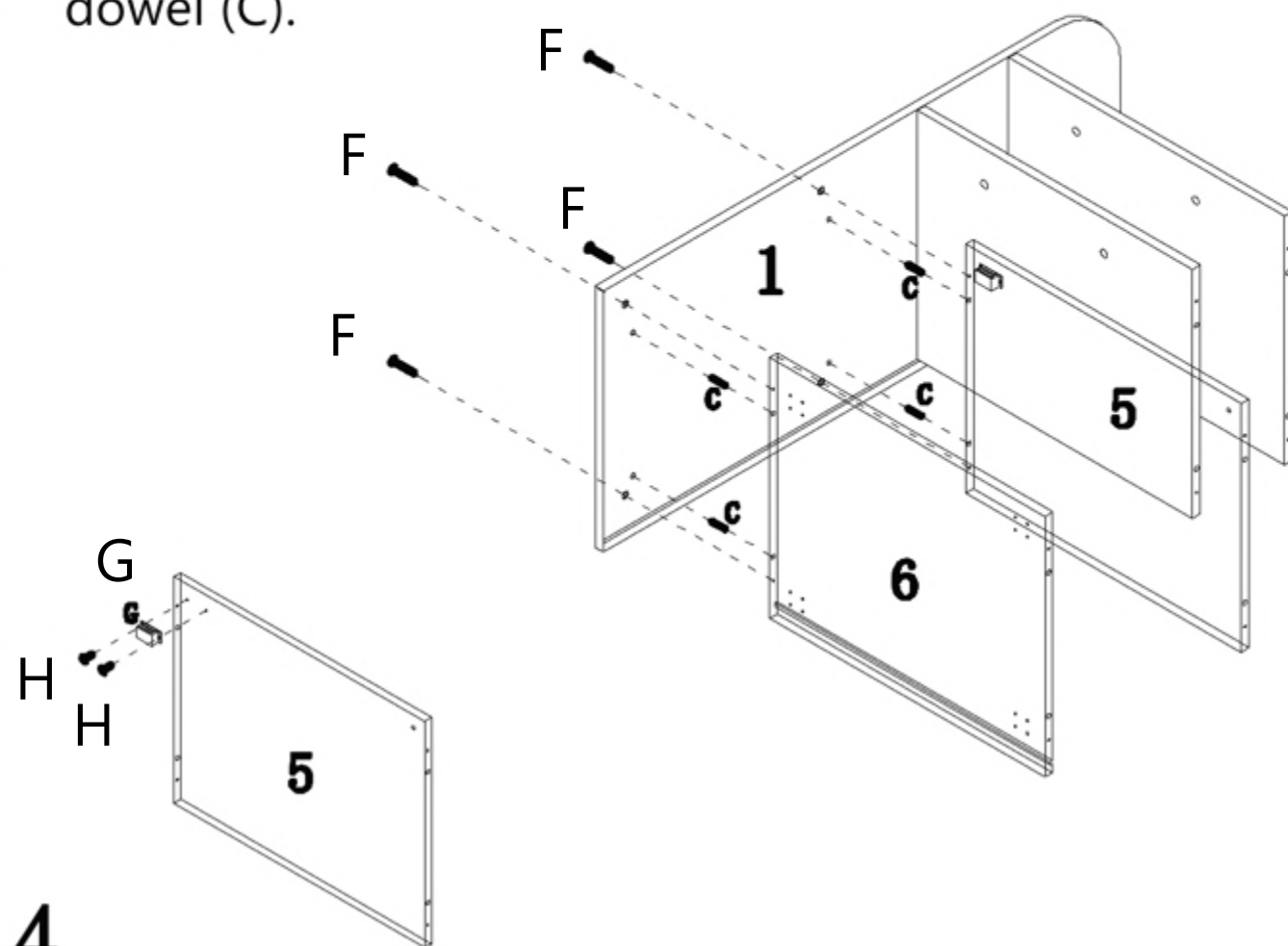
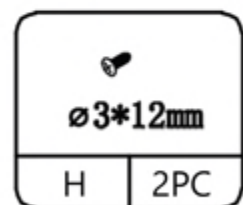
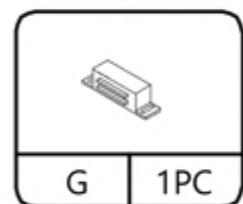
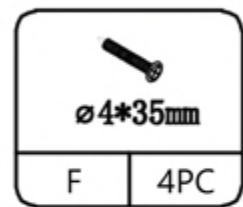
Attach panel (4) to panel (1) with screw (F) and dowel (C).



STEP 3

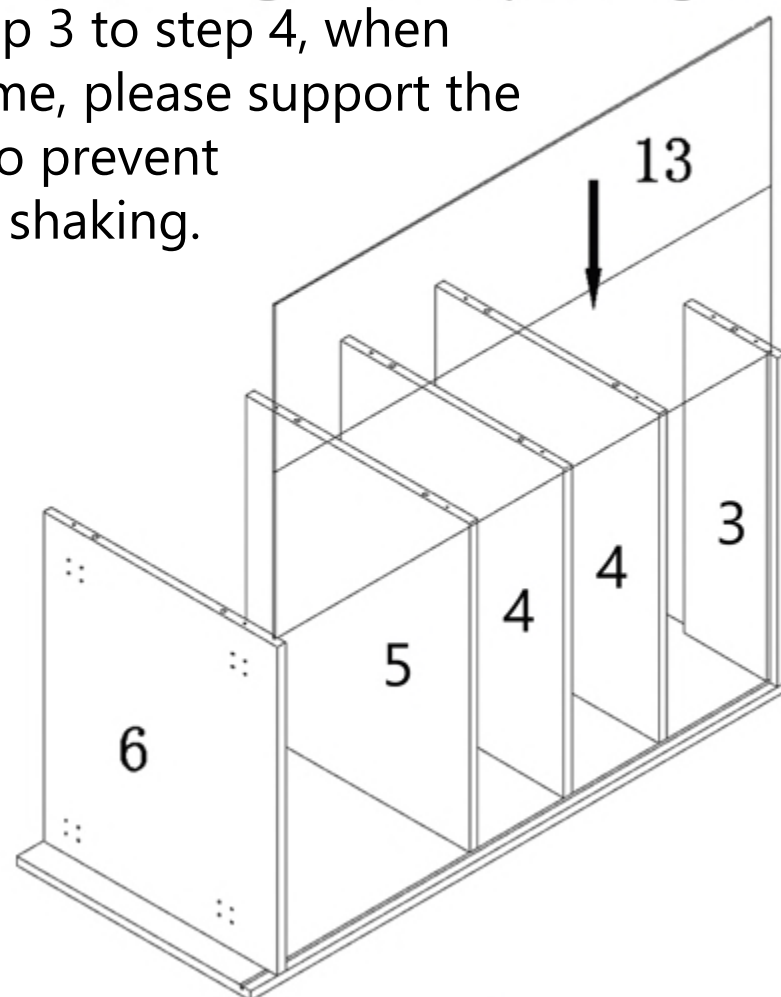


Attach part (G) to panel (5) with screw (H).
Attach panel (5,6) to panel (1) with screw (F) and
dowel (C).



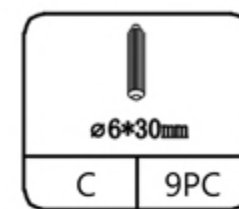
STEP 4

Slide back panel (13) into groove as per diagram.
NOTE: From step 3 to step 4, when
flipping the frame, please support the
panel (3,4,5,6) to prevent
damage due to shaking.

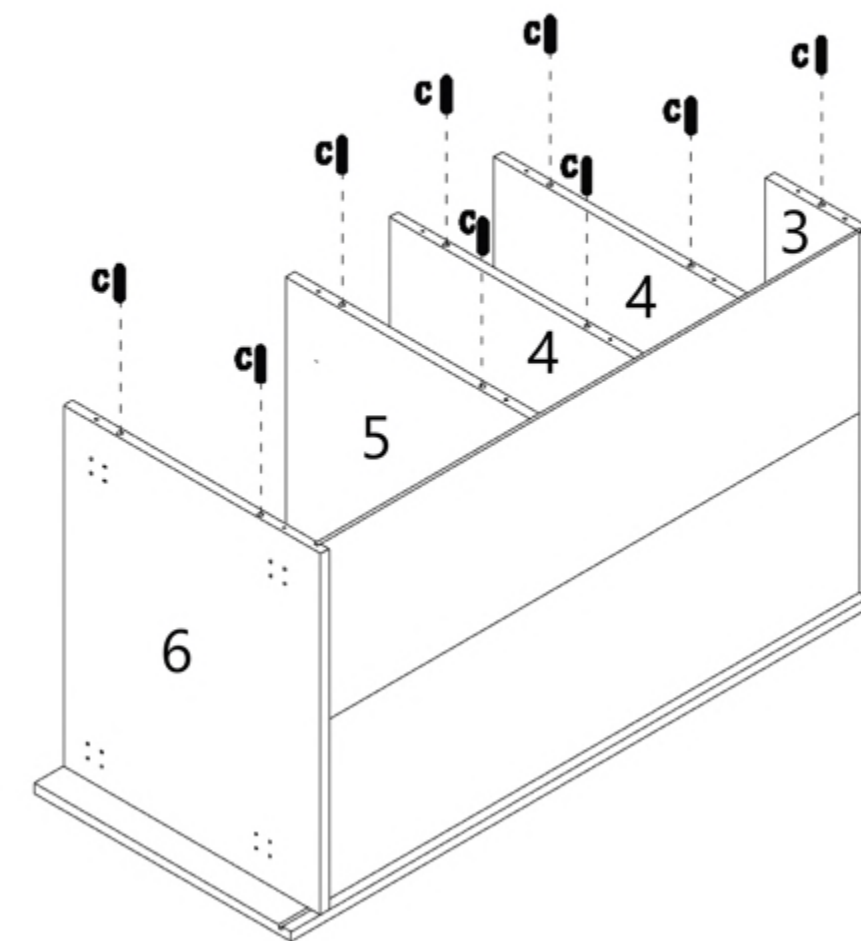


4

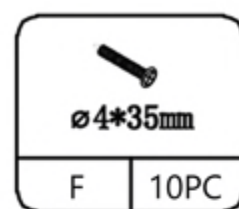
STEP 5



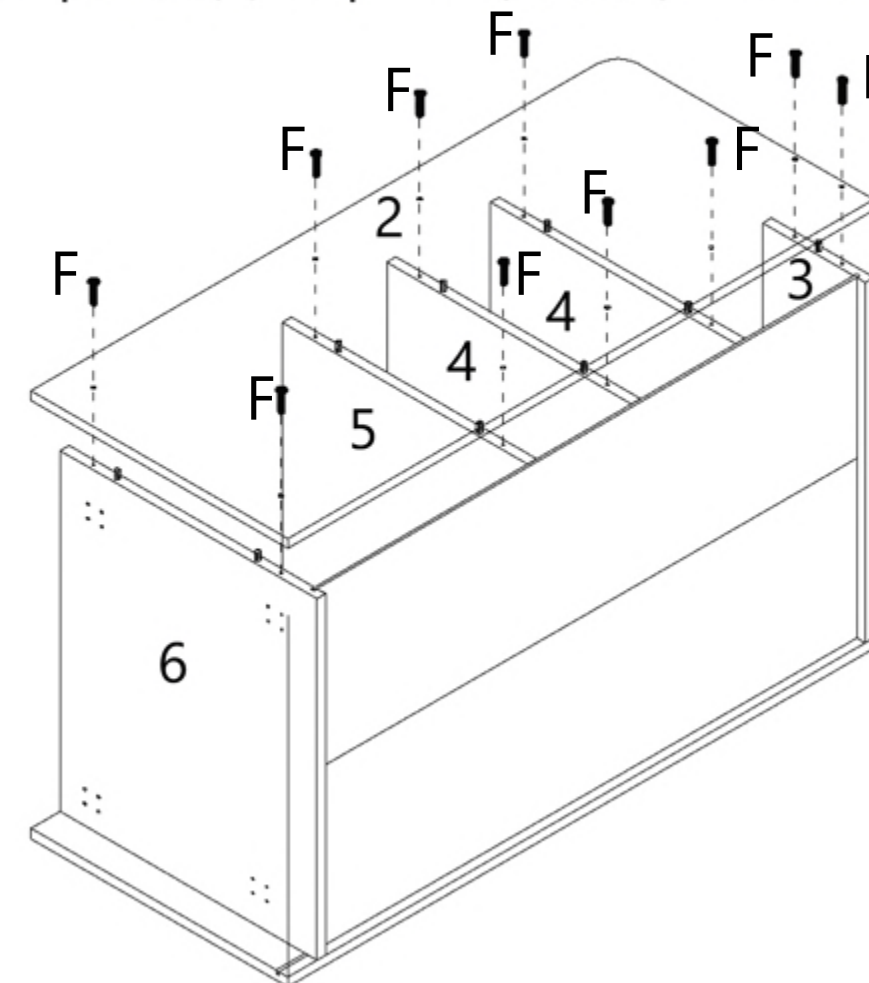
Insert dowel (C) to panel (3,4,5,6).



STEP 6

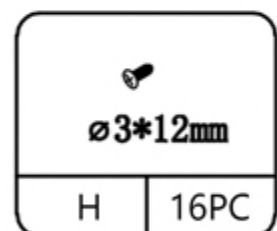
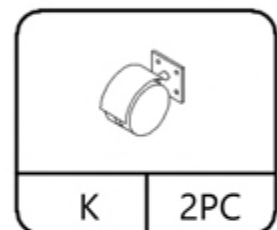
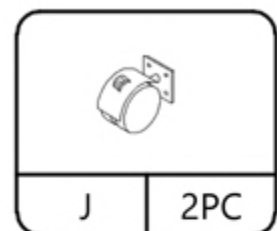


Attach panel (2) to panel (3,4,5,6) with screw (F).

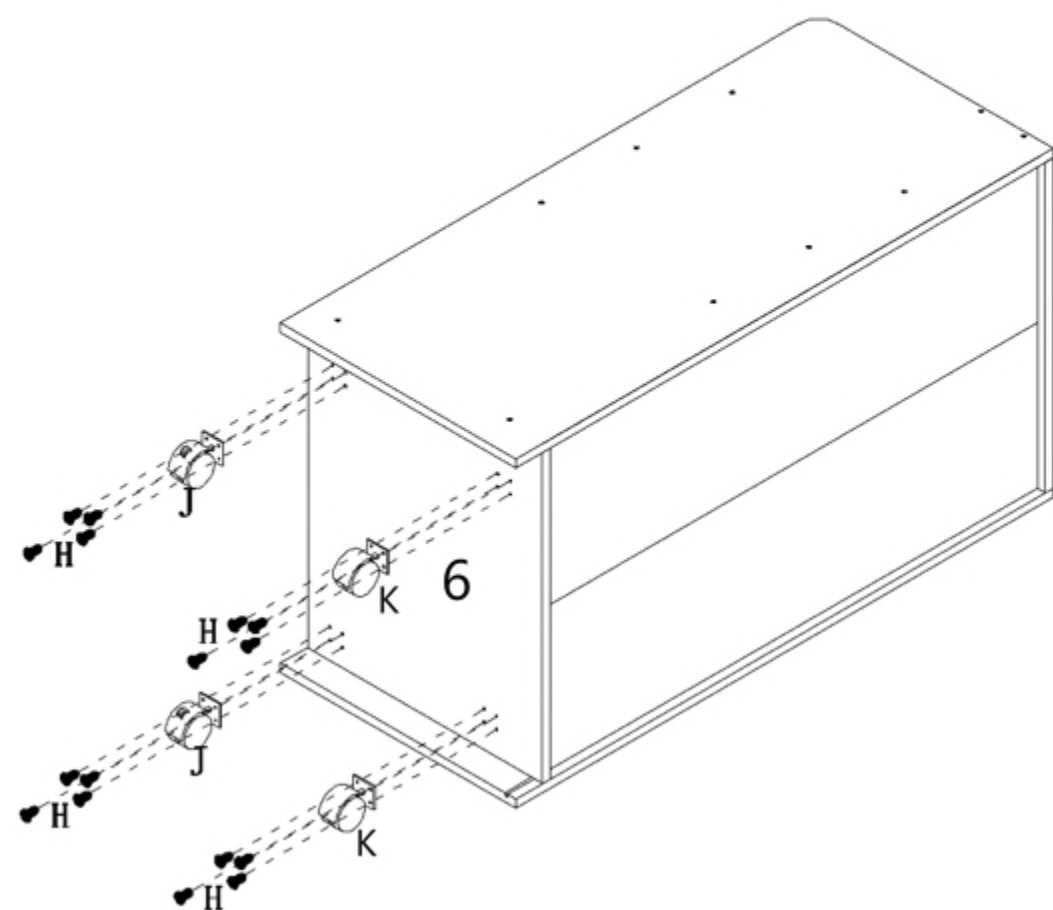


5

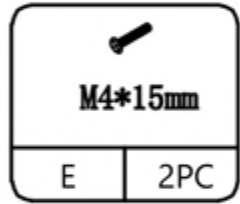
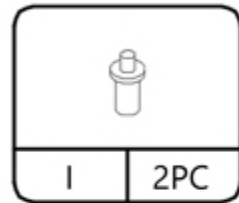
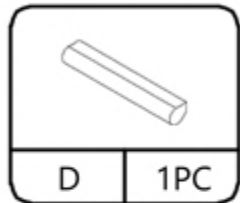
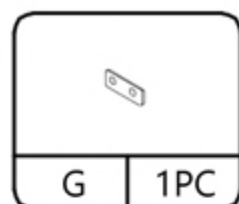
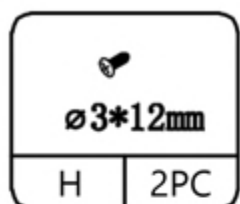
STEP 7



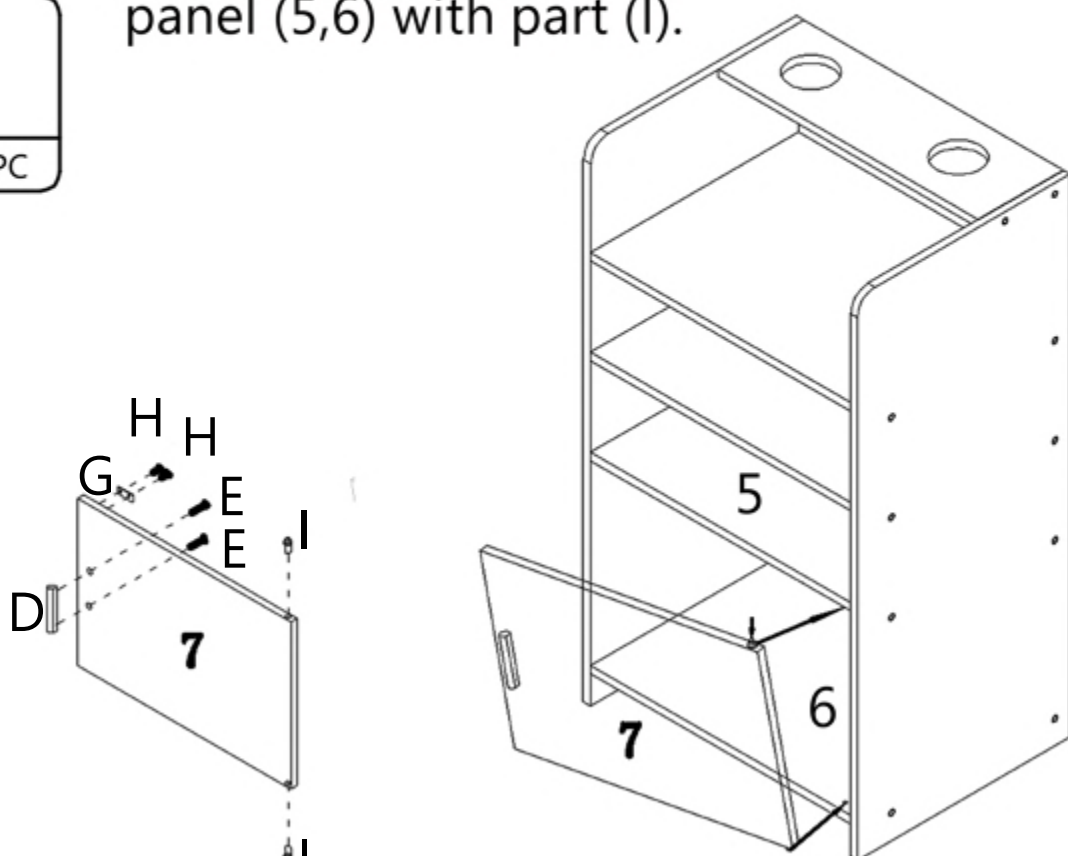
Attach part (J,K) to panel (6) with screw (H).



STEP 8

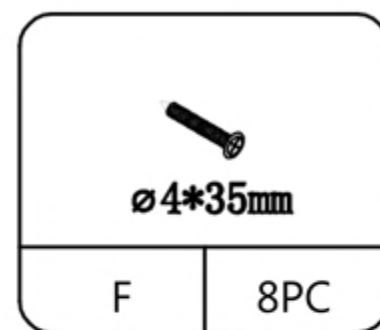


Attach part (G) to panel (7) with screw (H).
Attach part (D) to panel (7) with screw (E).
Insert part (I) to panel (7) and attach panel (7) to panel (5,6) with part (I).

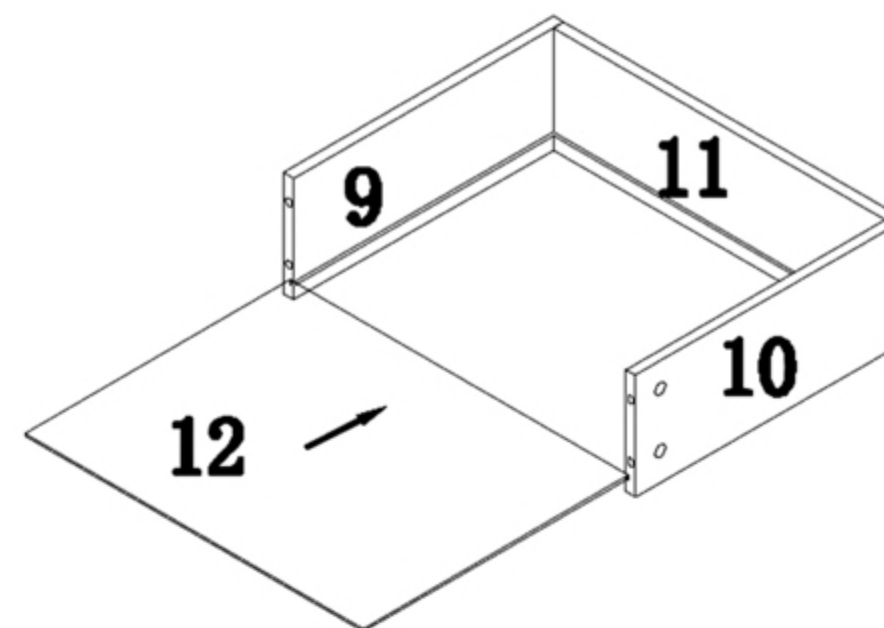
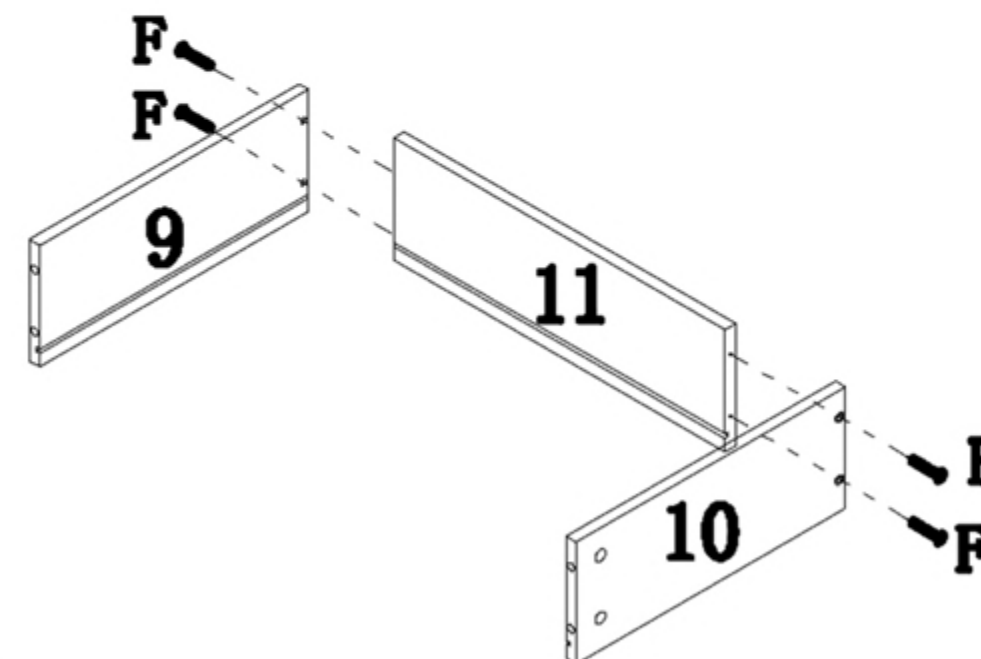


6

STEP 9



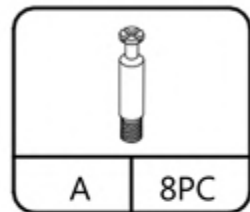
Attach panel (9,10) to panel (11) with screw (F).
Slide panel (12) into groove as per diagram.



X2

7

STEP 10

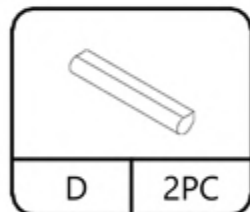
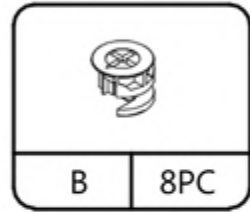


Attach part (D) to panel (8) with screw (E).

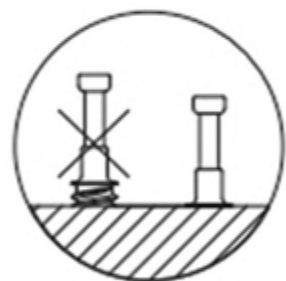
Screw bolt (A) into panel (8).

Attach panel (8) to panel (9,10) with bolts (A).

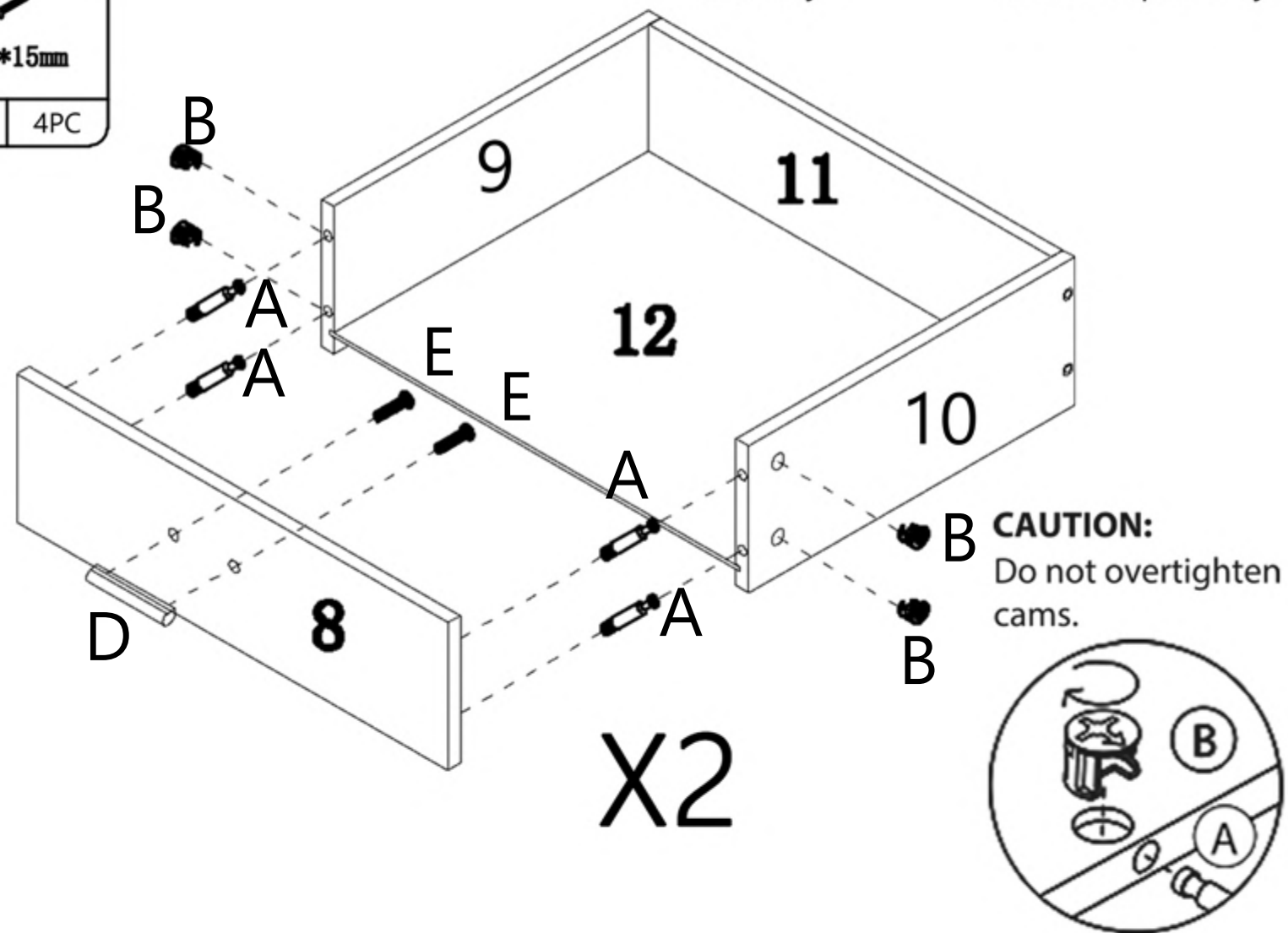
Insert cam lock (B) to panel (9,10) and turn clockwise to lock panel (8).



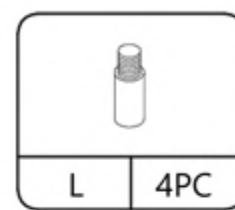
Assemble bolts A vertically



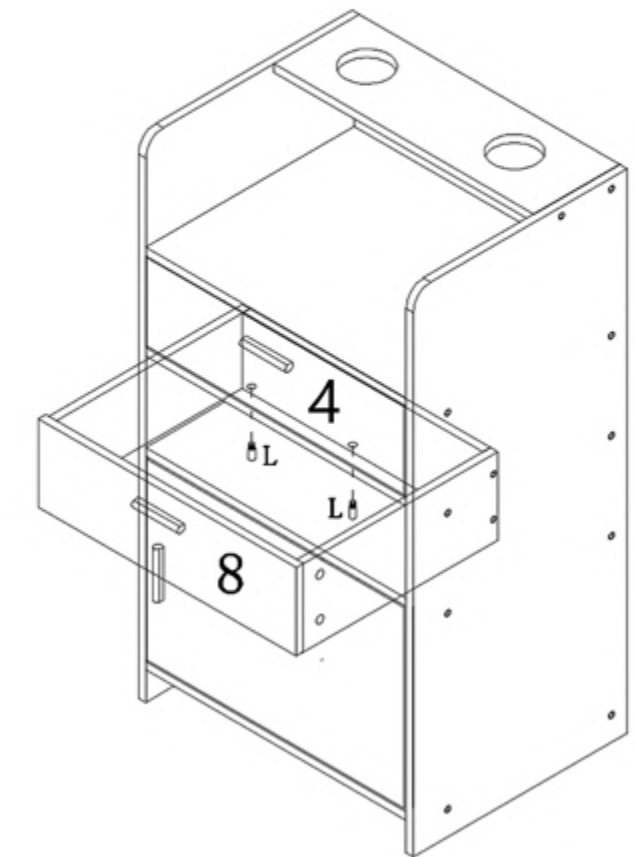
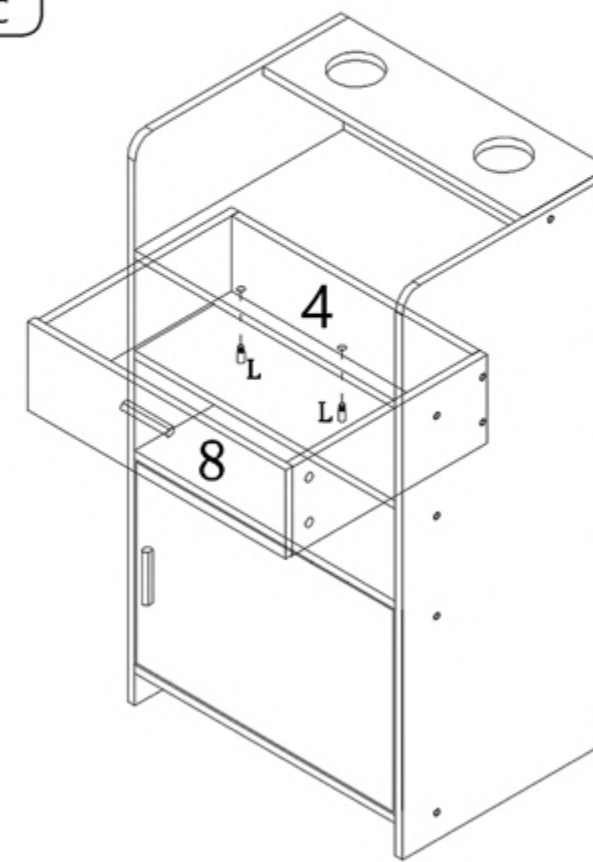
Make sure bolts A are lockup evenly



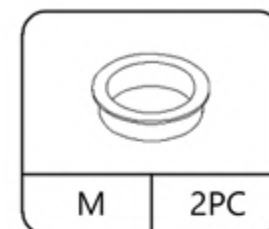
STEP 11



First put the drawer into the salon station, then screw part (L) to panel (4).



STEP 12



Put part (M) into panel (3).

Cover the surface of screw (F) with part (N).

