

artos[®]

F903B-60TK

INSTALLATION GUIDE

thermostatic with 3-way
diverter, trim kit only
round+square

*For shared functions use F943-V0 valve. For non shared
functions use F973NSV0 valve. Order Separately.

BRUSHED NICKEL(BN)



BLACK (BK)



CHROME(CH)



artos[®]

F903B-60TK

thermostatic with 3-way
diverter, trim kit only
round+square

OPERATING SPECIFICATIONS

*For shared functions use F943-V0 valve. For non shared functions use F973NSV0 valve. Order Separately.



FEATURES

Solid Brass

MIXED WATER TEMPERATURE

Maximum: 120°F

HOT WATER SUPPLY TEMPERATURE

Maximum: 180°F

Minimum: 50°F

Advisable: 150°F- 160°F

Minimum difference between hot mixed temperature 50°F

OPERATING PRESSURE

Maximum: 125psi

Minimum: 20psi

Recommended: 30psi- 95psi

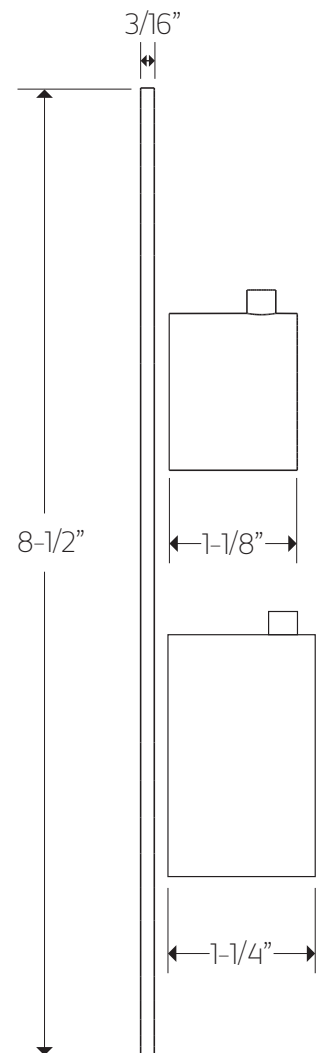
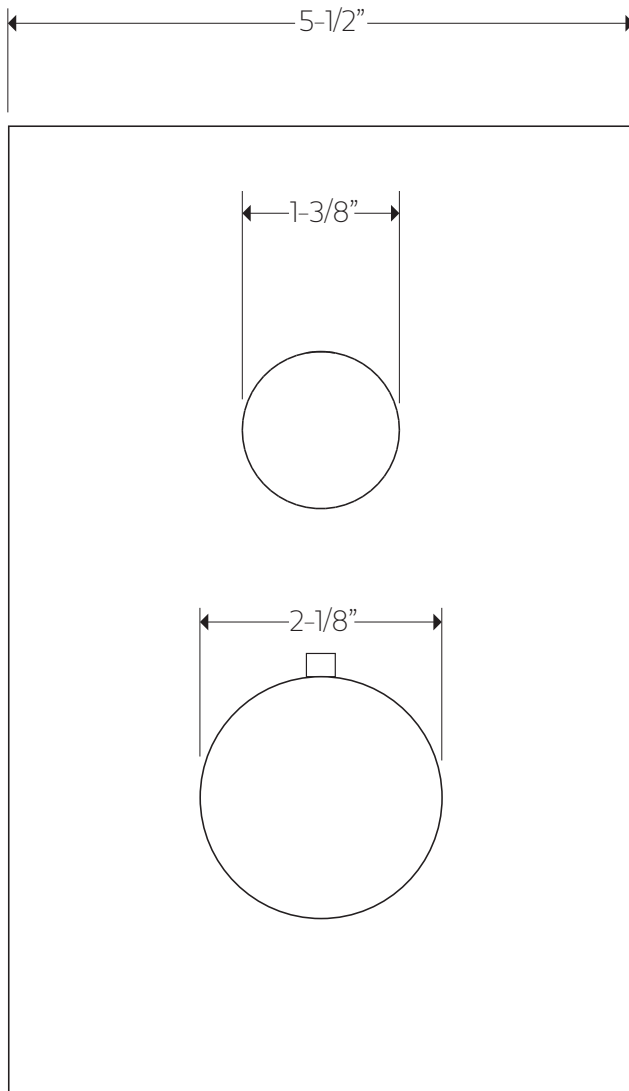
Operating pressures (on hot and cold lines) should be kept as balanced as possible, in order to assure the maximum efficiency.

artos[®]

F903B-60TK

PRODUCT DIMENSIONS

thermostatic with 3-way
diverter, trim kit only
round+square

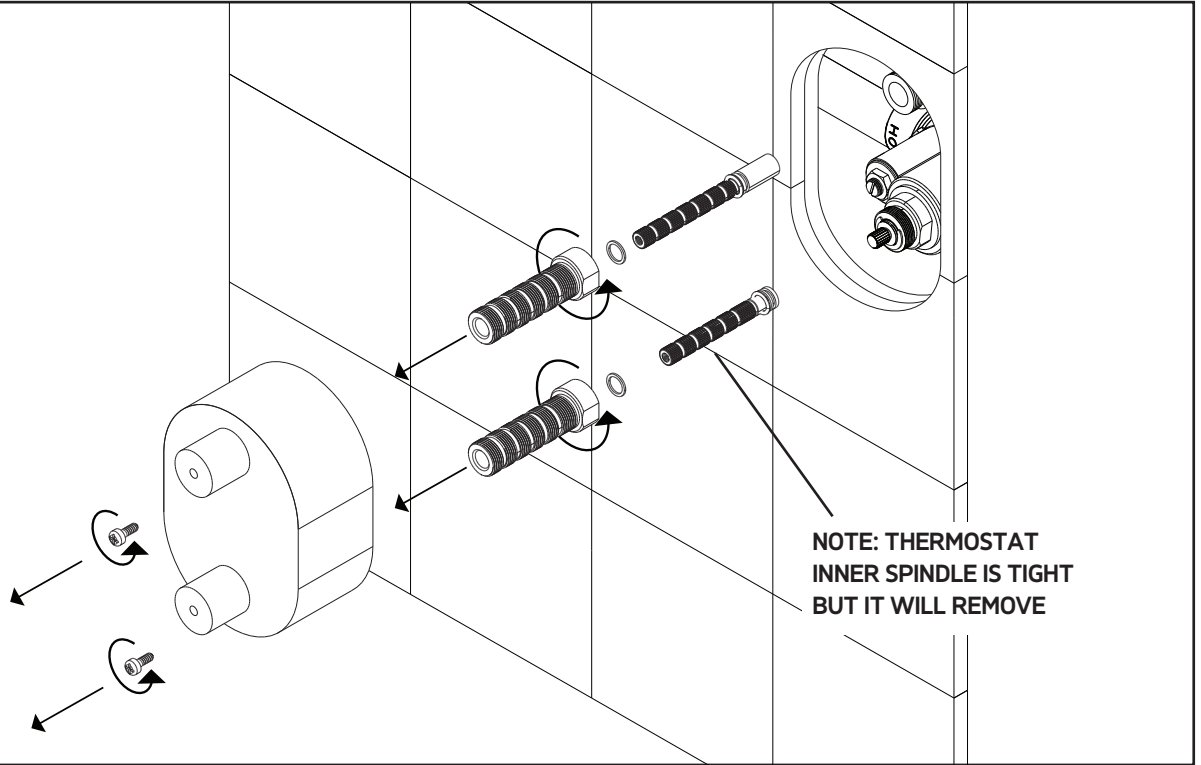


artos[®]

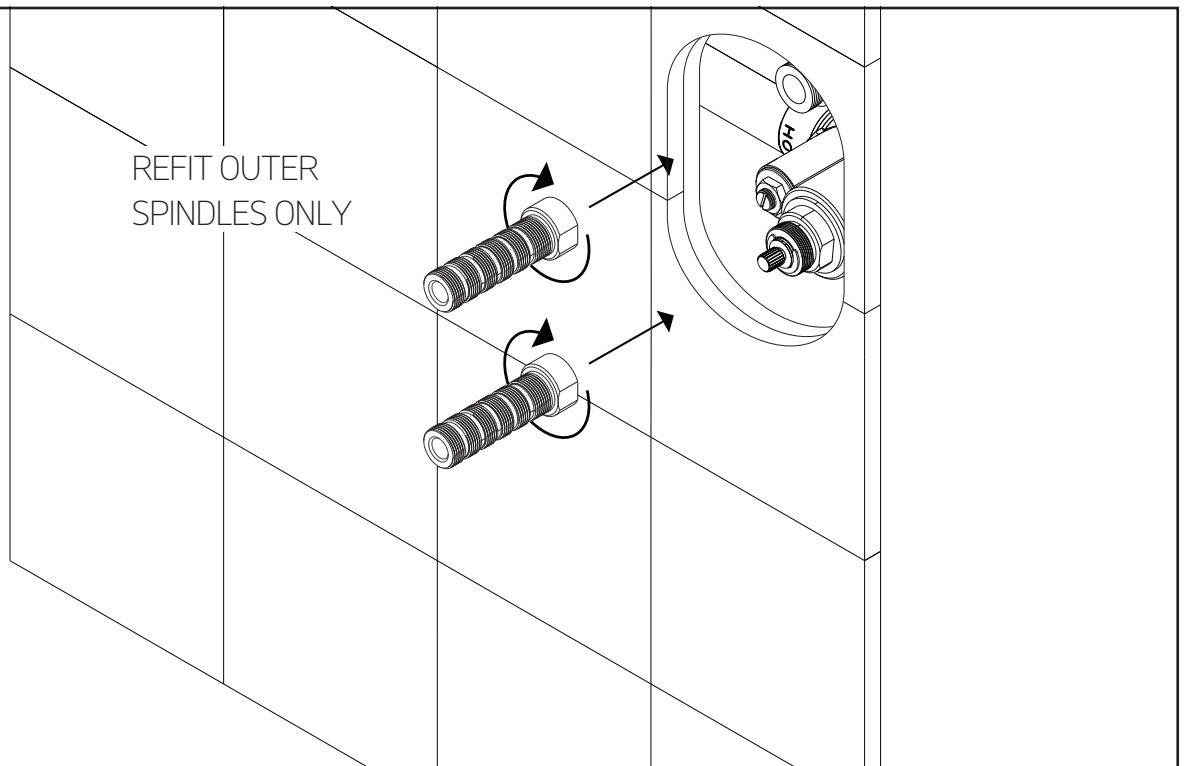
F903B-60TK

thermostatic with 3-way
diverter, trim kit only
round+square

STEP 1

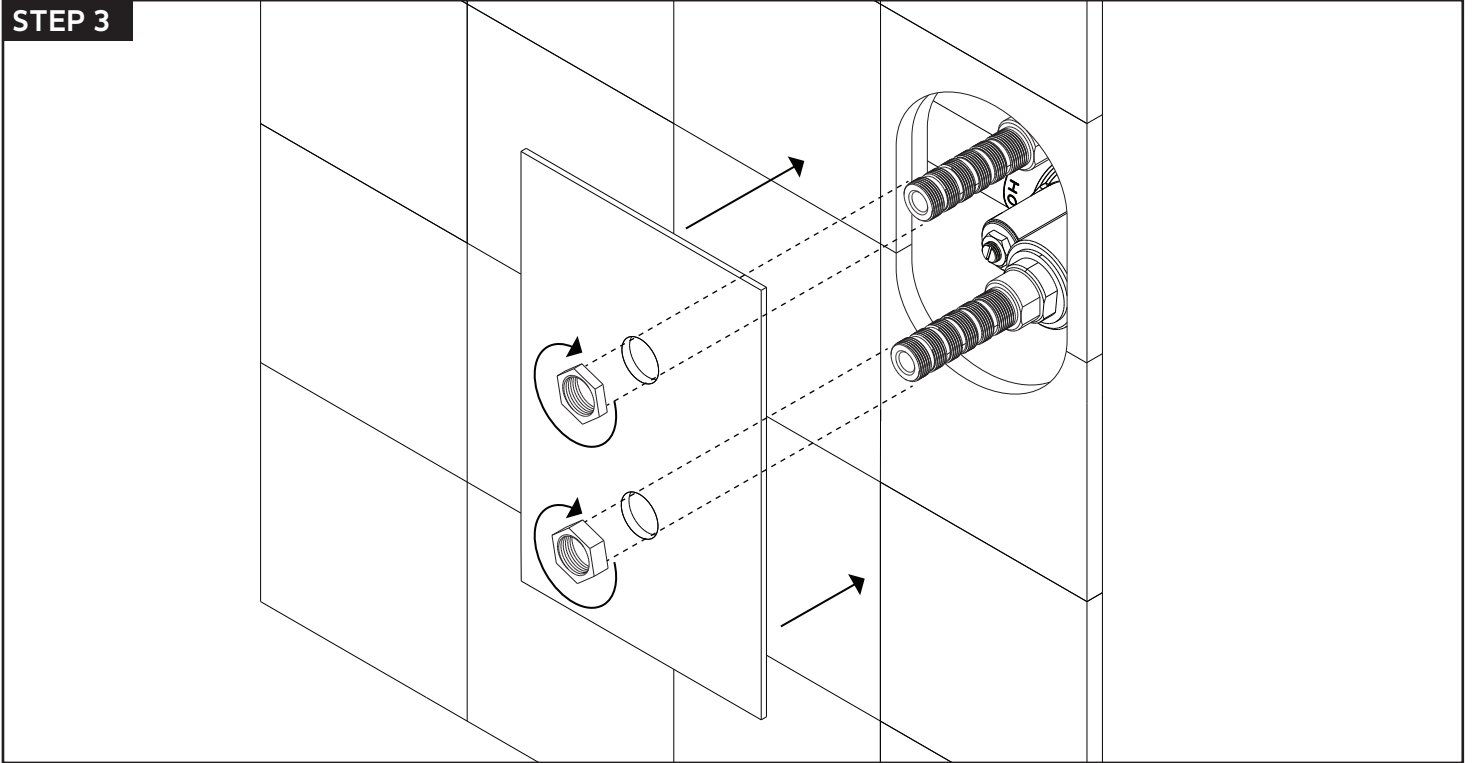


STEP 2

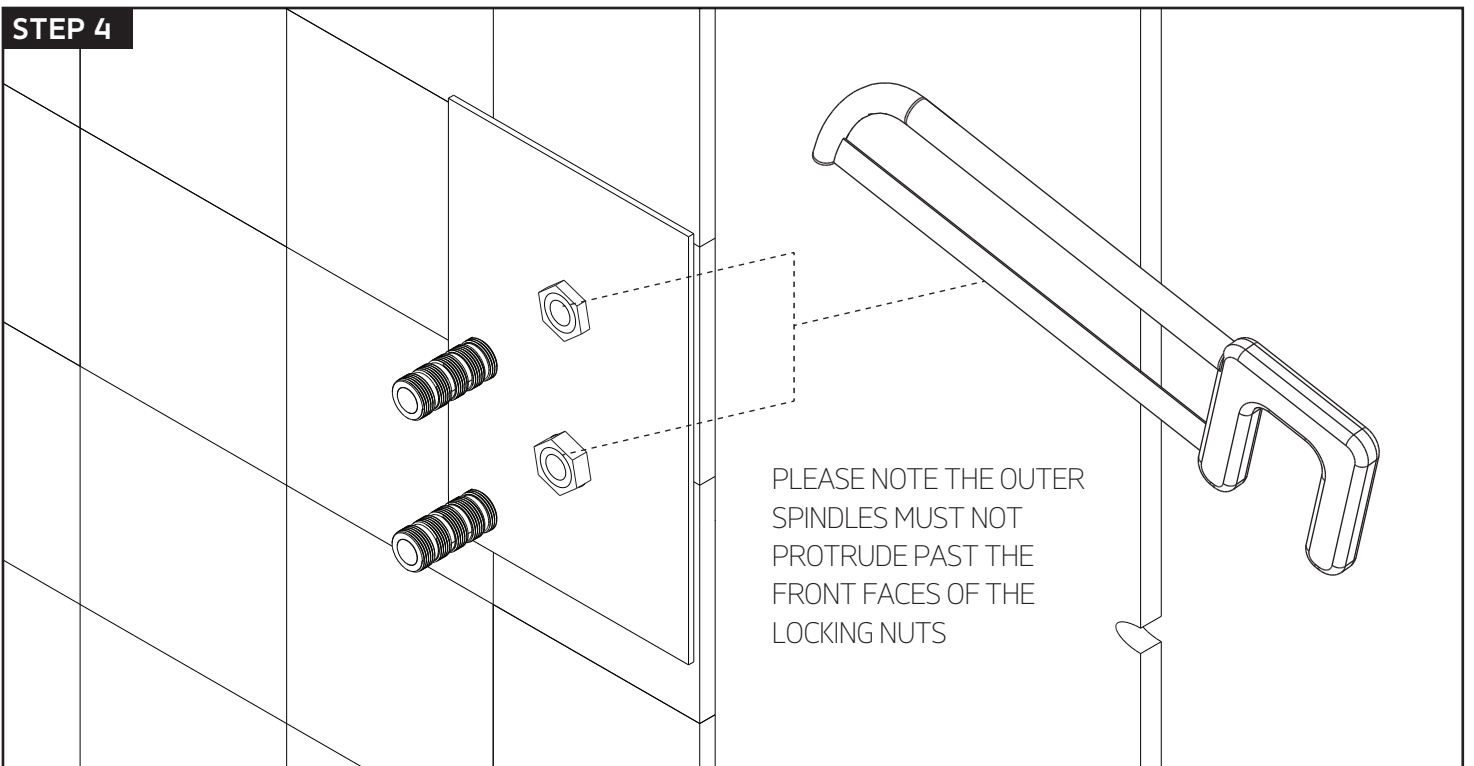


INSTALLATION STEPS

STEP 3



STEP 4

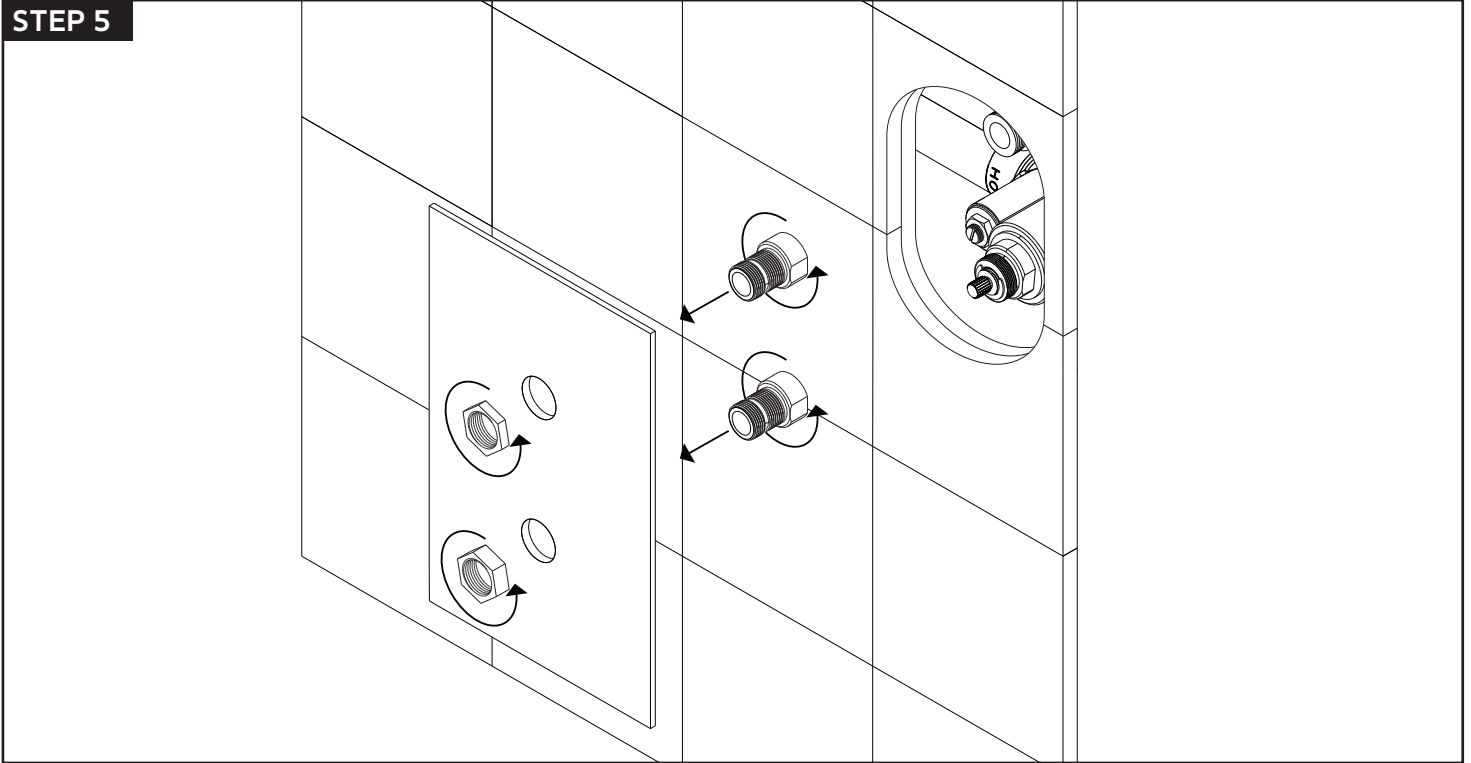


artos[®]

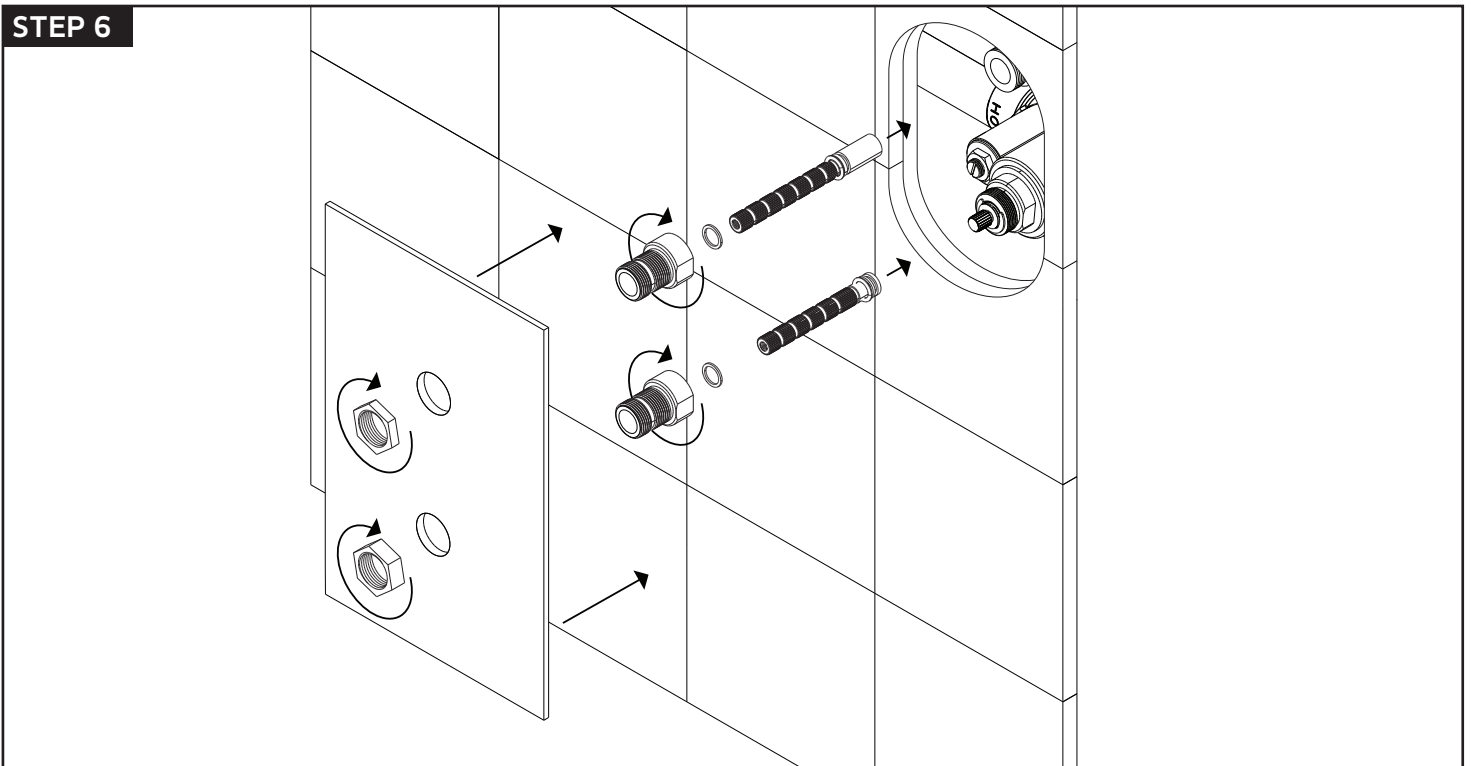
F903B-60TK

thermostatic with 3-way
diverter, trim kit only
round+square

STEP 5

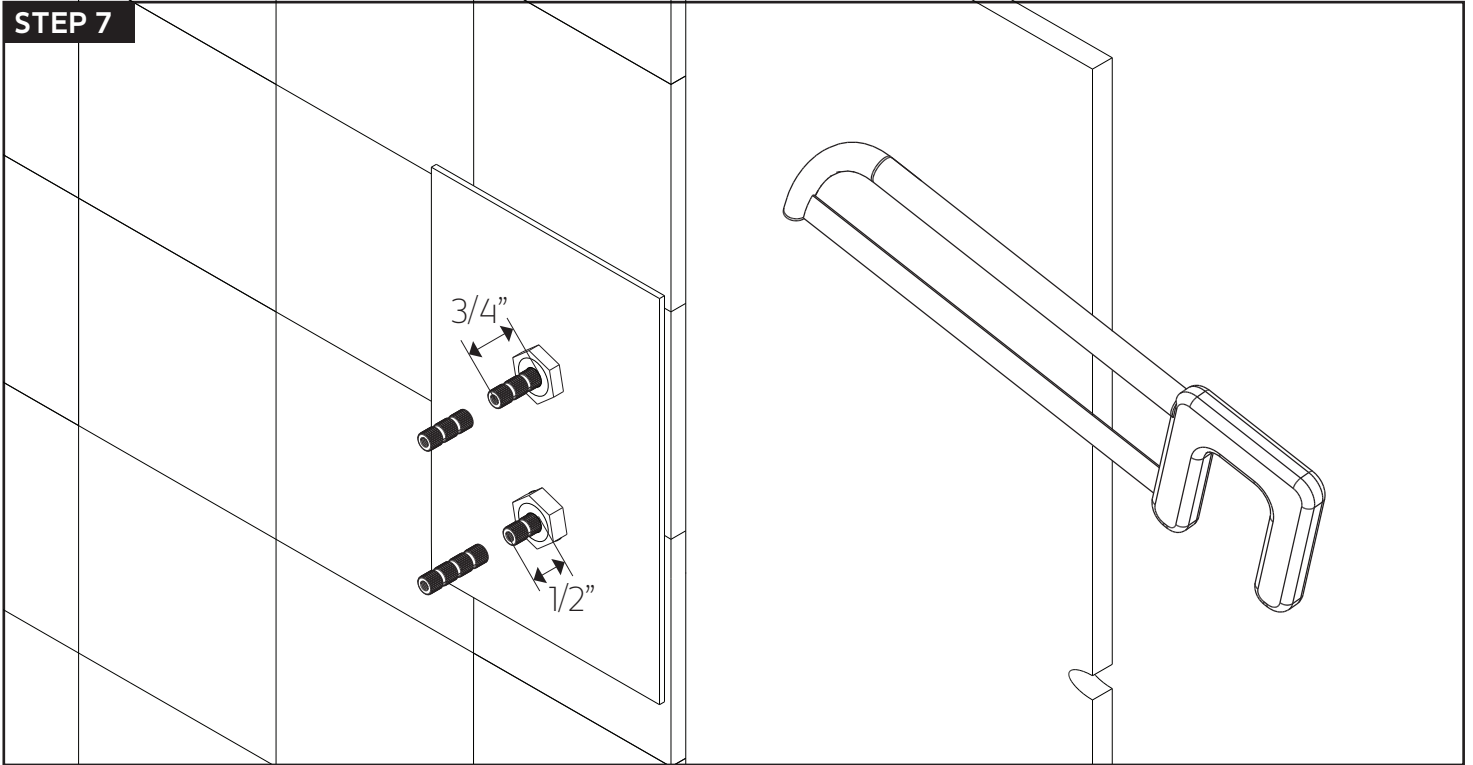


STEP 6



INSTALLATION STEPS

STEP 7



STEP 8

