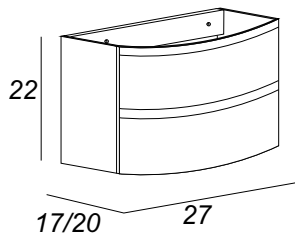
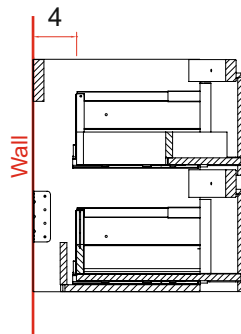


**Features:**

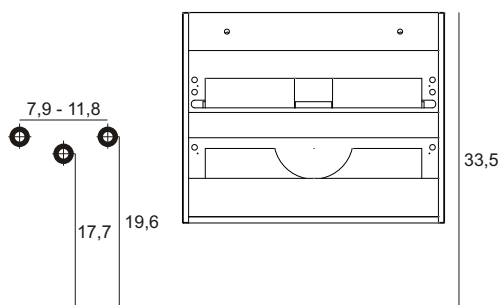
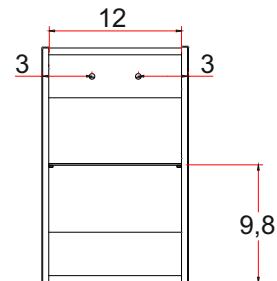
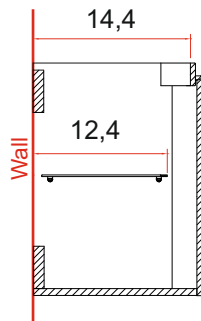
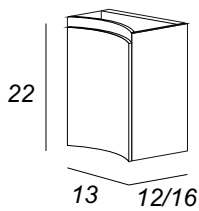
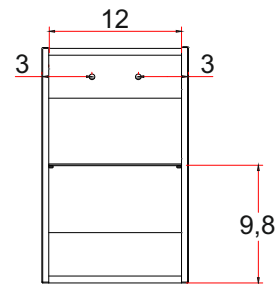
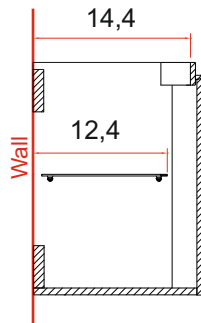
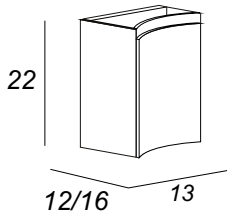
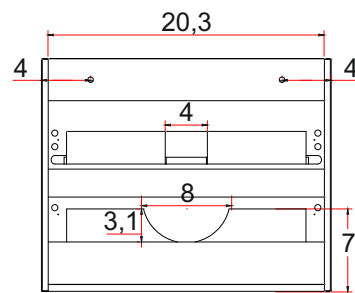
- Drawers push-open and soft-close
- Handleless ergonomic continuous drawer
- Includes fully adjustable drawersliders
- Fully finished interiors
- Includes installation hardware
- Micro-Density Fiberboard (MDF) construction
- PVC finish resists moisture and scratches

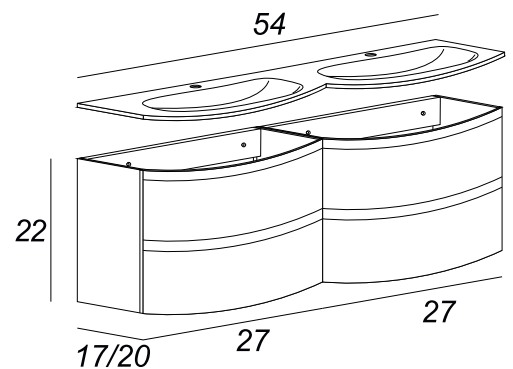
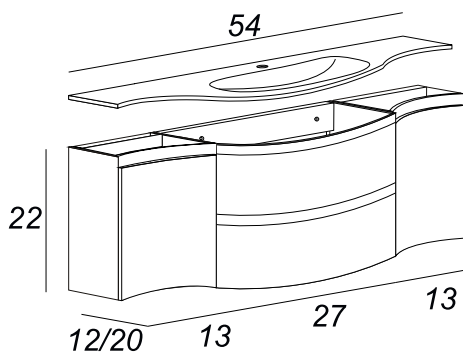
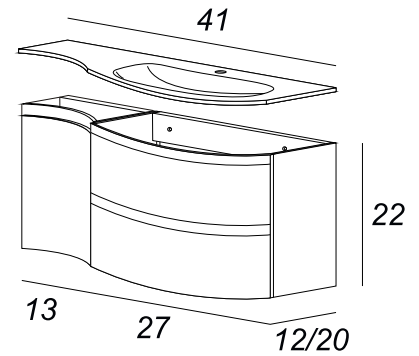
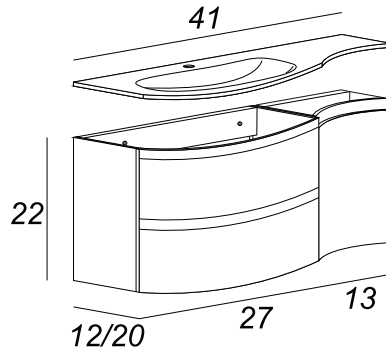
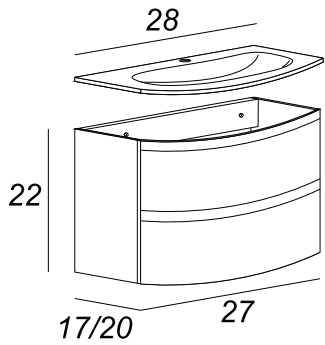


Side view for plumbing



Back view for plumbing





**Basins available:**  
 - resin  
 - glass extralight

## FURNITURE CHARACTERISTIC



Cabinet in MDF, sides thickness 0,63in, doors and drawers 0,75in, coated in PVC 0,01in waterproof and scratchproof that guarantee long life and reliability. Cabinet with dividers in the upper drawer. Opening type constituted by a milling throat.



Blum push slides guaranteed for 60.000 cycles and allow the adjustment in 2 different positions. Slides used in furnitures allow push opening and soft closing with synchronizer. Slides sides with frosted glass sheet. Hinges used in complementary allow the adjustment in 3 different positions.



Resin washbasin thickness 0,47in impact resistant. Glass washbasin extra-light white thickness 0,59in and resistant to high temperature and impacts.



It is not necessary to assemble the cabinet (product not in kit).

## MIRRORS



Mirror lighting full-led, guarantee an energy saving of a 80/90% compared to a classic lighting incandescent or halogen and life of about 3/5 times higher.



The LED lighting can exceed 50.000 hours of activities, reducing the costs of maintenance. Not produce heat and withstand the high temperatures.

IP44 ☐ CE

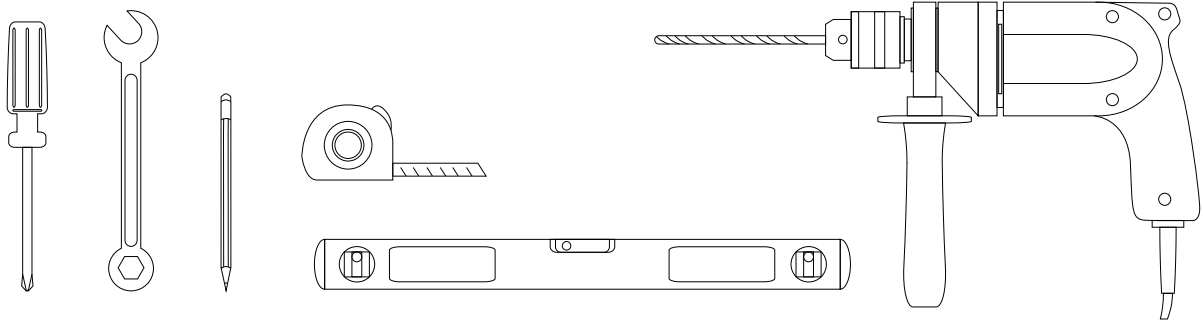


Unlike normal halogen lamps, do not contain mercury and do not emit harmful UV rays for the health.

**Installation notes:**

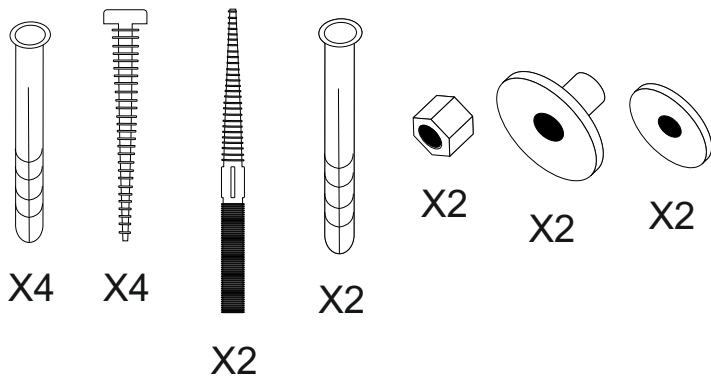
Install this product according to the installation guide  
Special site preparation is required.  
Wall bracing supplied hardware are recommended.  
The plumbing must be roughed into the plumbing cutout area of the vanity.  
Refer to the sink rough-in and the vanity rough-in for proper placement. The water supply and drain lines must be installed before installing the vanity.

**Installation tools not included:**



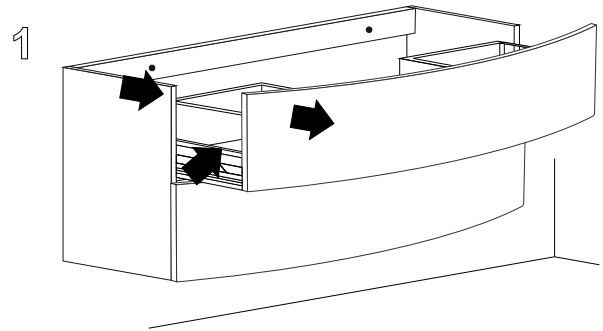
**Materials Included:**

- 4 short nylon rawlplug
- 4 short screws
- 2 long nylon rawlplug
- 2 acorn nut
- 2 nylon washer
- 2 metal washer



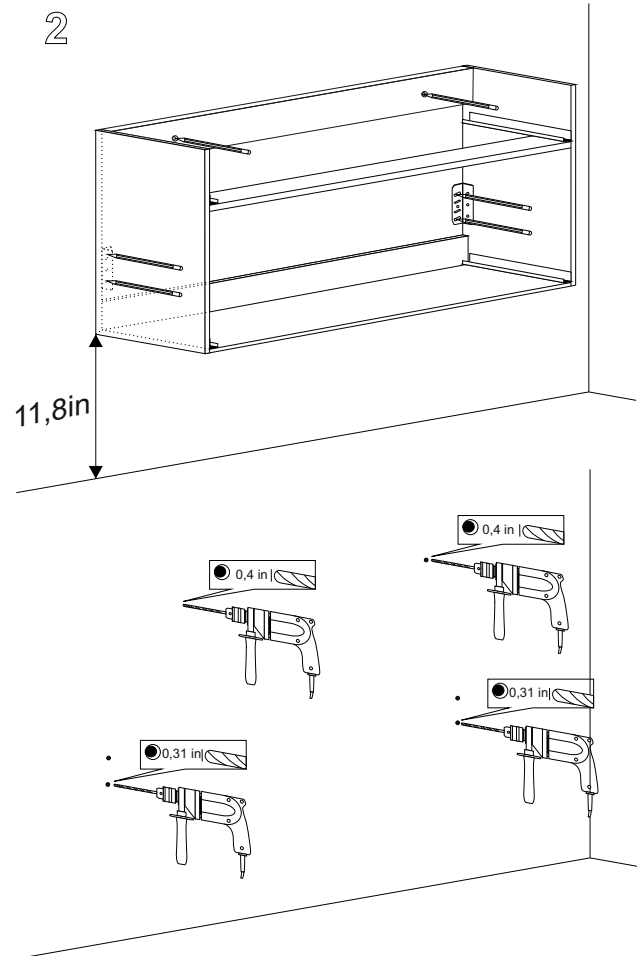
### Step 1

Pull out completely the drawers and take off from the slide rails.



### Step 2

Determine the ideal location of your new vanity. Mark the holes and drill pilot holes in the dry wall.



### Step 3

Place the vanity frame on the finished wall and install at the locations drilled with the screws shown in Figure 3:

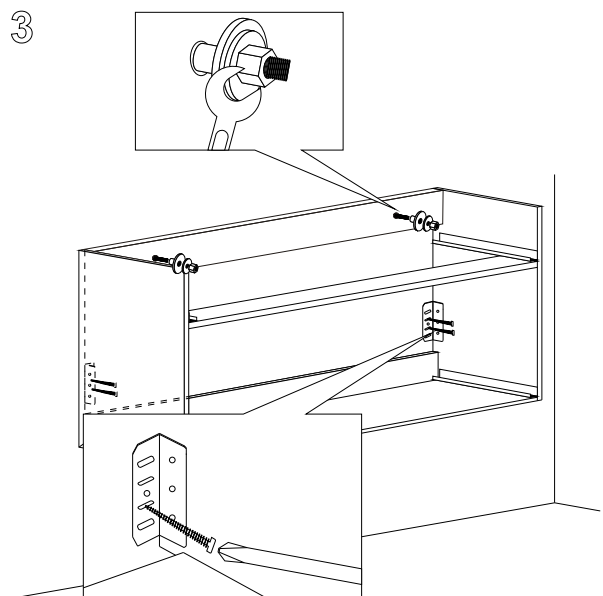
The long nylon raw for the long screw with nylon washer and metal washer and fix with acorn nut.

The short nylon raw for the short screw.

Fully extend the slide rails out.

Place the drawer into the slide rails.

To secure drawer, close the drawer until a series of clicks are heard.



**Installation notes:**

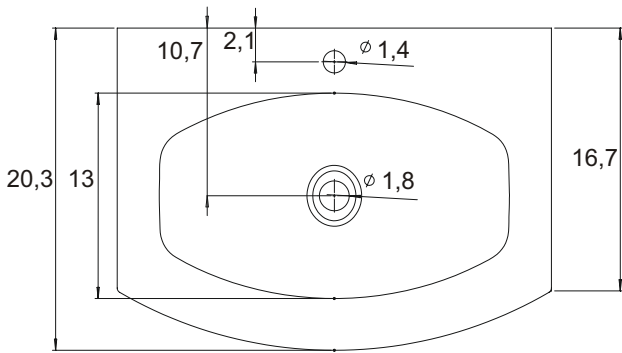
Faucet and silicone are not included.  
All sizes are subject to tolerance.

**Sink assembly**

Install the faucet to the top and drains to the sink. Refer to the faucet and drain manufacturer's instructions. Complete the faucet connections. Run water and check for leaks. Apply a bead of silicone behind the top surface to the finished wall.

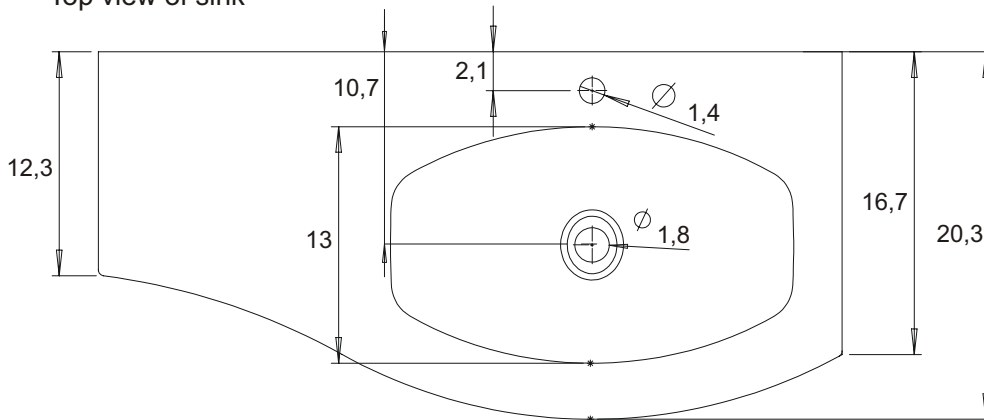
**RESIN BASIN**

Top view of sink



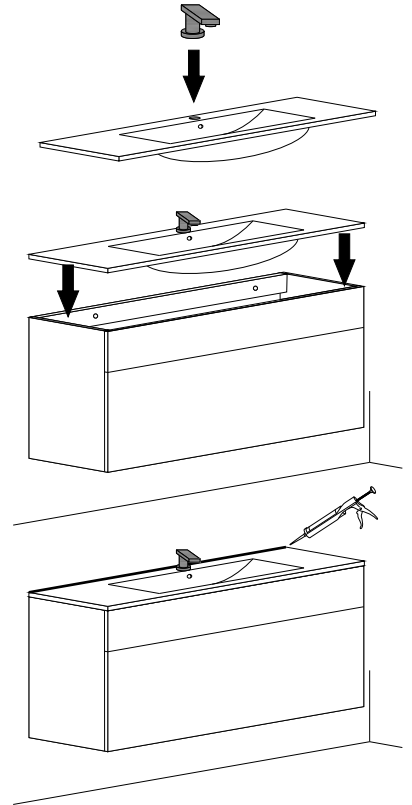
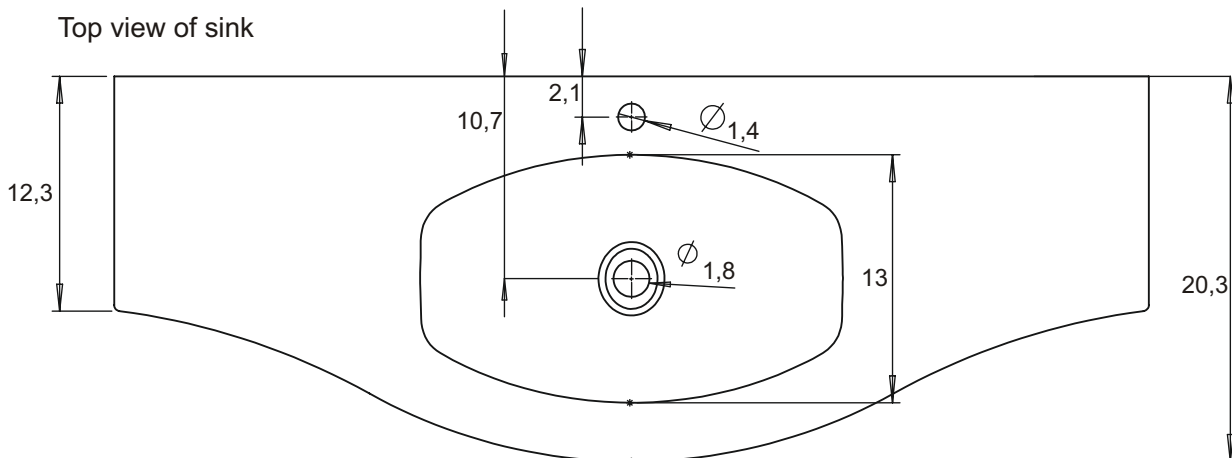
**RESIN BASIN**

Top view of sink



**RESIN BASIN**

Top view of sink



**Installation notes:**

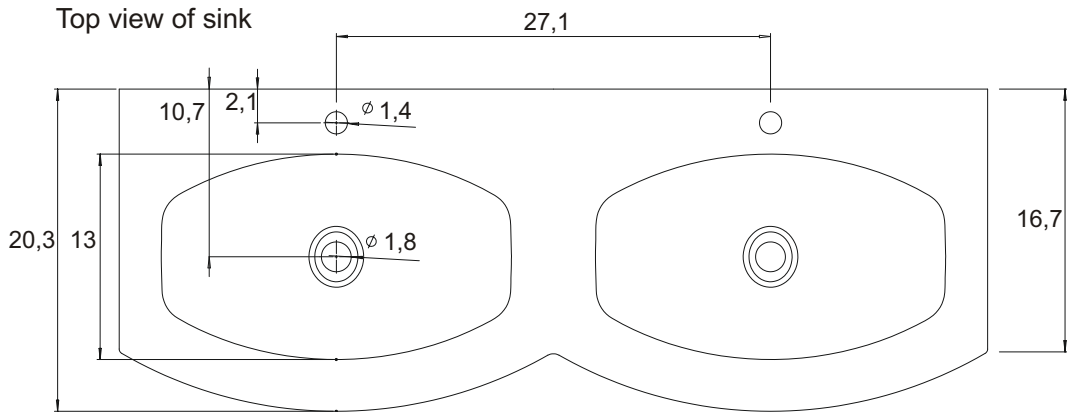
Faucet and silicone are not included.  
All sizes are subject to tolerance.

**Sink assembly**

Install the faucet to the top and drains to the sink. Refer to the faucet and drain manufacturer's instructions.  
Complete the faucet connections. Run water and check for leaks.  
Apply a bead of silicone behind the top surface to the finished wall.

**RESIN BASIN**

Top view of sink



**Installation notes:**

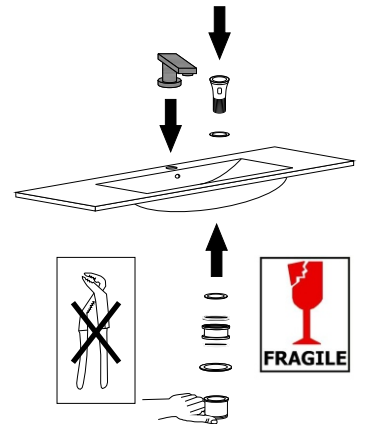
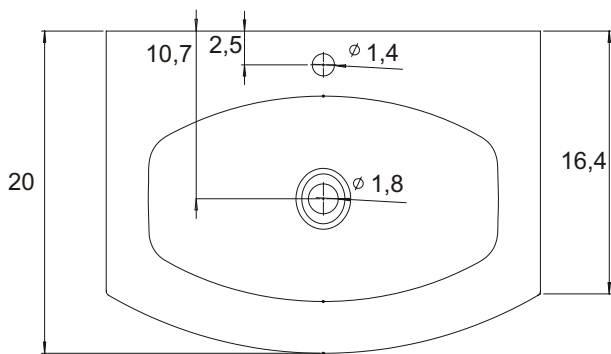
Faucet and silicone are not included.  
All sizes are subject to tolerance.

**Sink assembly**

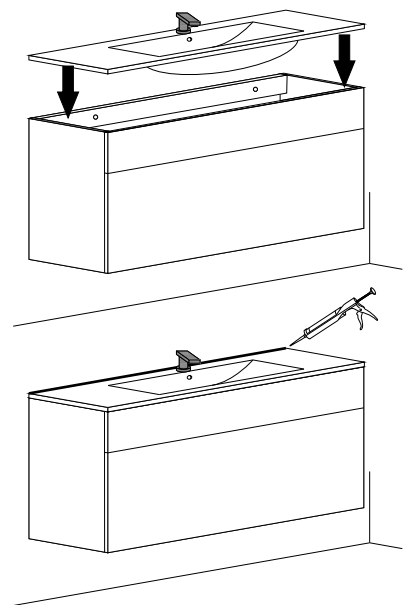
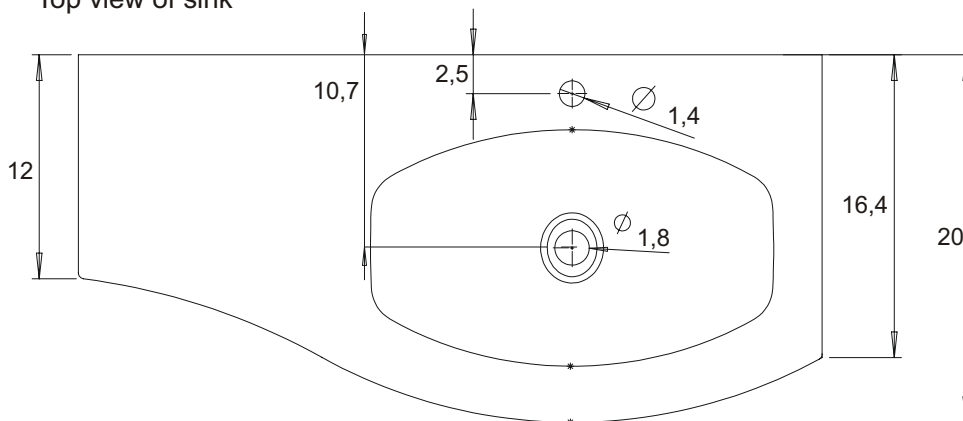
Install the faucet to the top and drains to the sink. Refer to the faucet and drain manufacturer's instructions.  
Complete the faucet connections. Run water and check for leaks.  
Apply a bead of silicone behind the top surface to the finished wall.

**GLASS EXTRA-LIGHT BASIN**

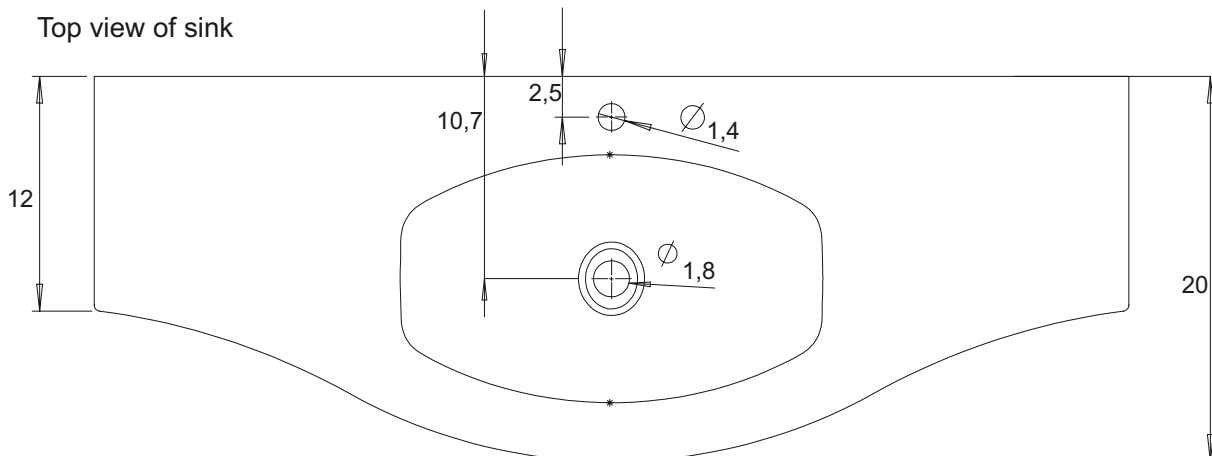
Top view of sink

**GLASS EXTRA-LIGHT BASIN**

Top view of sink

**GLASS EXTRA-LIGHT BASIN**

Top view of sink



**Installation notes:**

Faucet and silicone are not included.  
All sizes are subject to tolerance.

**Sink assembly**

Install the faucet to the top and drains to the sink. Refer to the faucet and drain manufacturer's instructions.  
Complete the faucet connections. Run water and check for leaks.  
Apply a bead of silicone behind the top surface to the finished wall.

**GLASS EXTRA-LIGHT BASIN**

Top view of sink

