

3

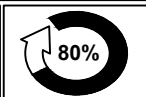
H2×4pcs

H4×1pc

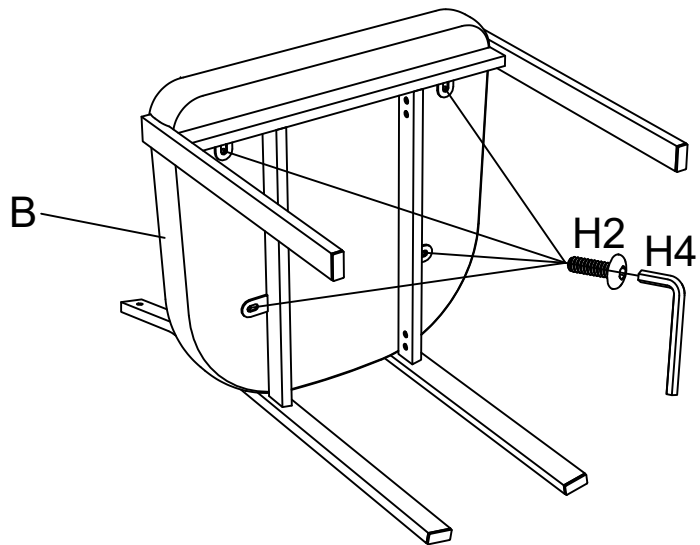


M6×20mm

M6



H4



4

H3×4pcs

H4×1pc

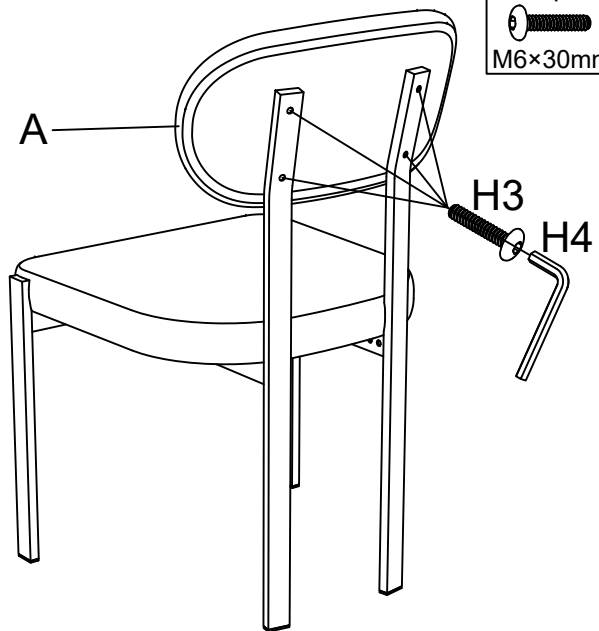


M6×30mm

M6



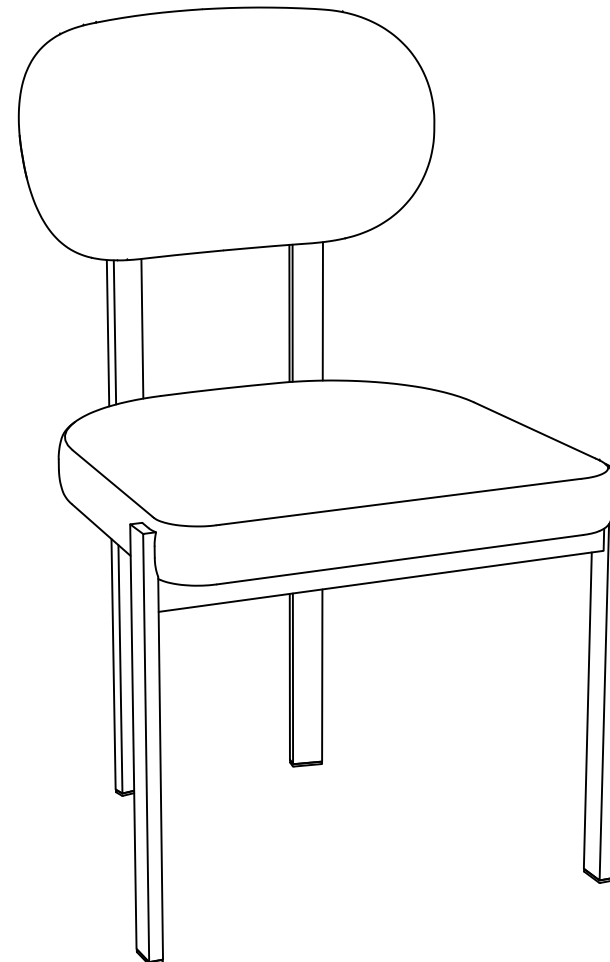
H4



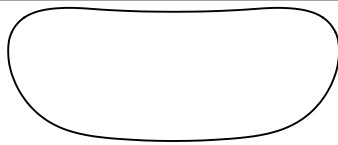
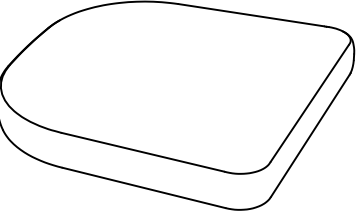
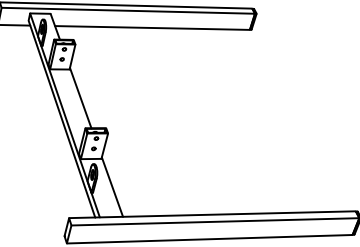
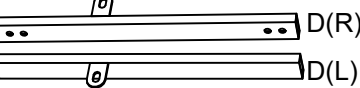
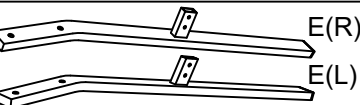
Adjust the chair so that it is leveled, then fully tighten all the bolts & screws.

ASSEMBLY INSTRUCTION


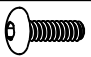

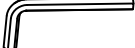
Dining chair




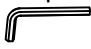
Component List


LABEL		DESCRIPTION	QTY
A		Back	1
B		Seat	1
C		Front leg	1
D		Metal cross	2
E		Front leg	2


Hardware List

LABEL		DESCRIPTION	QTY
H1		Bolts M6×10mm	8
H2		Bolts M6×20mm	4
H3		Bolts M6×30mm	4
H4		Allen key M6	1

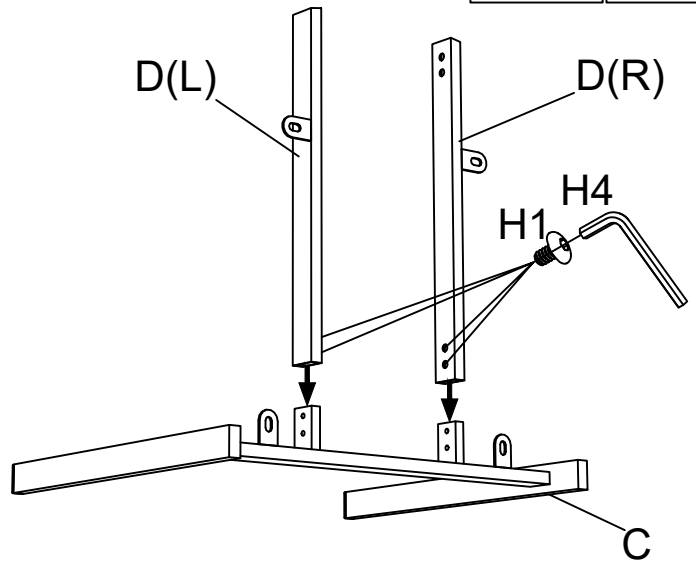
1

H1×4pcs  M6×10mm	H4×1pc  M6
--	--


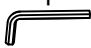






H4



2

H1×4pcs  M6×10mm	H4×1pc  M6
---	---





H4

