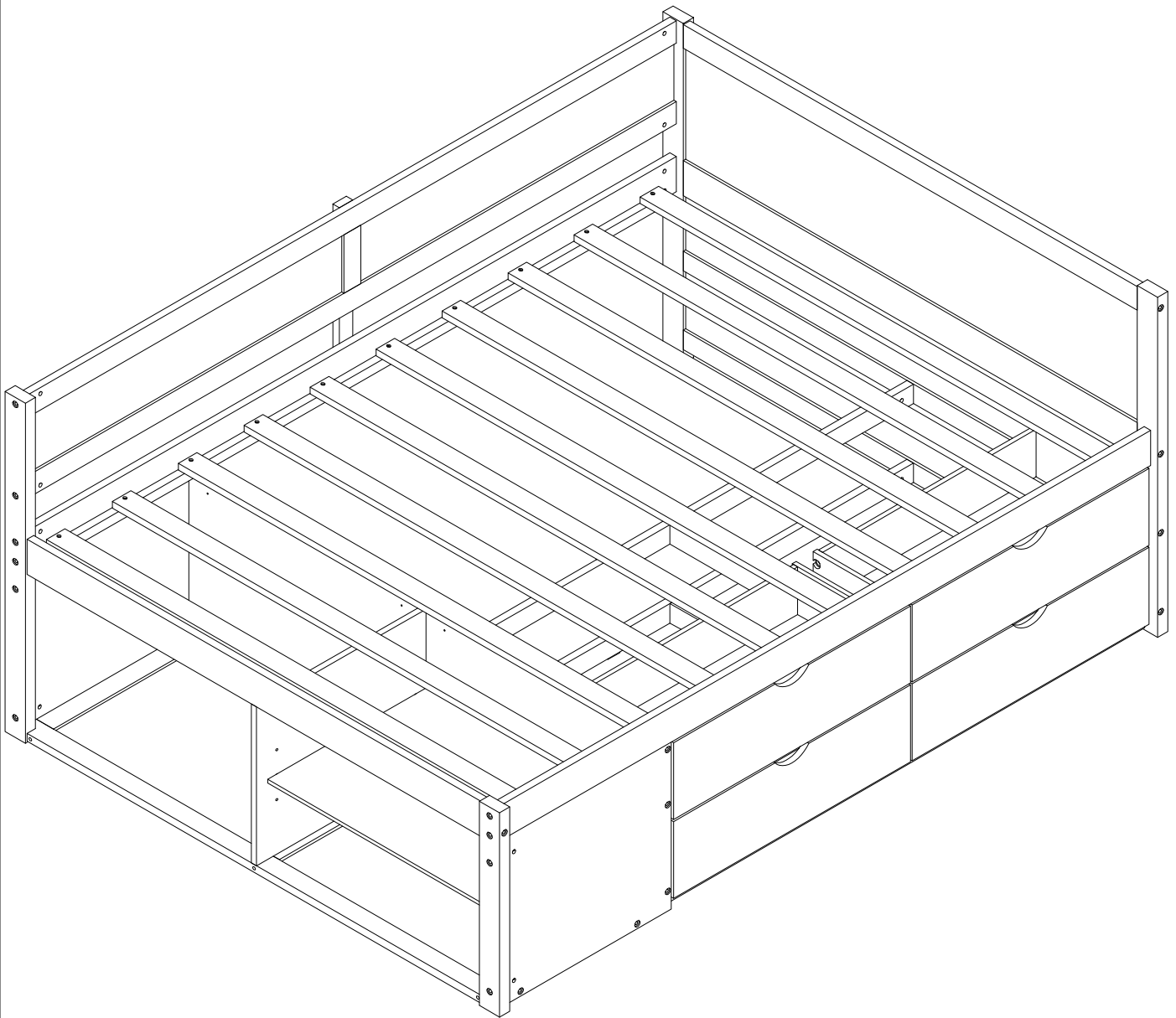


ASSEMBLY INSTRUCTION

This set includes 2 boxes if don't receive full 2 boxes please contact our customer service team



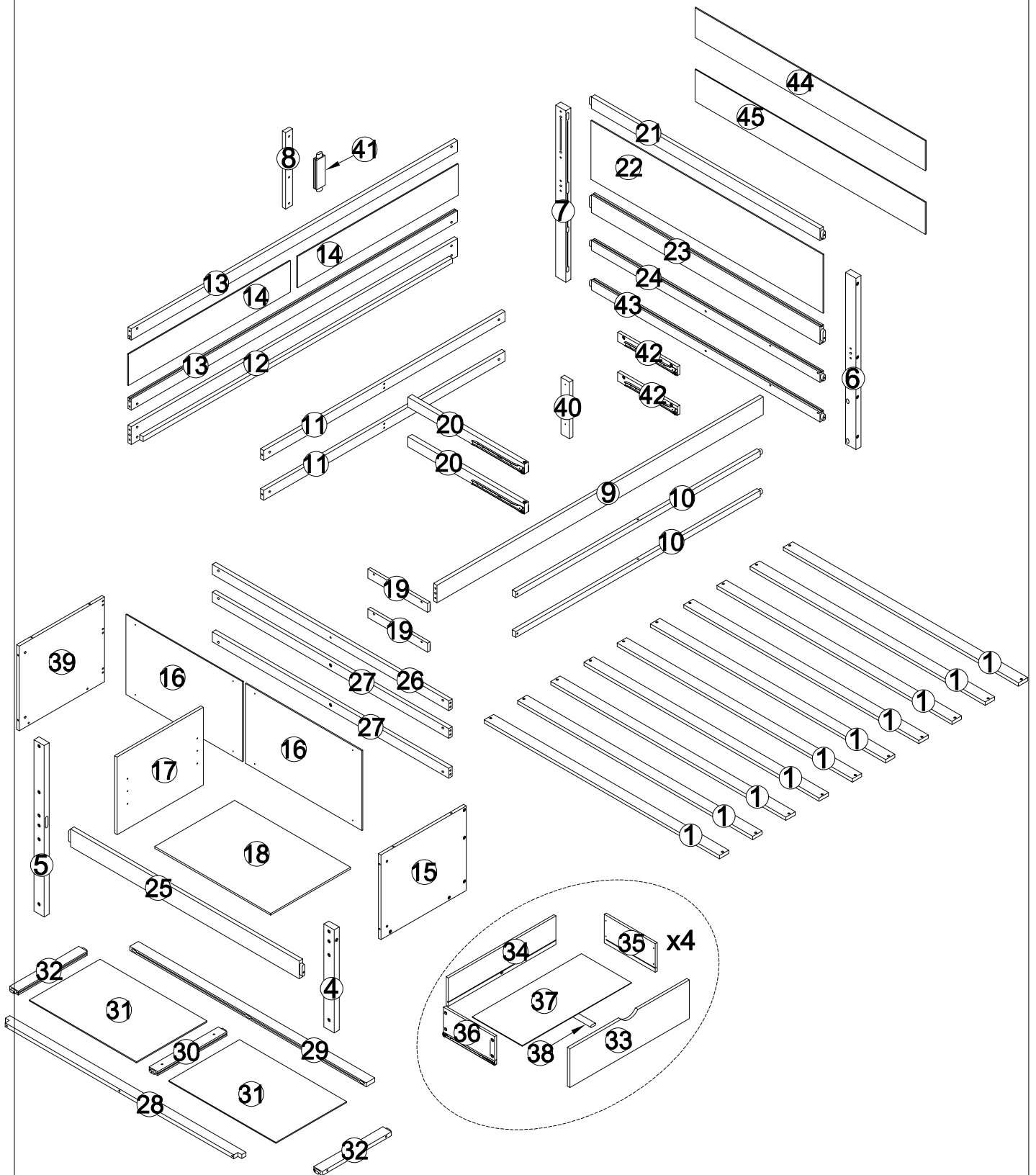
SAFETY WARNINGS AND GENERAL NOTES:

1. Do not use substitute parts. Contact the manufacturer or dealer for replacement parts.
2. Keep these instructions for future reference.
3. We recommend assembling your bed on the shipping carton to protect your floor or carpet.
4. Be certain all staples are out of the box before beginning assembly on the shipping carton.






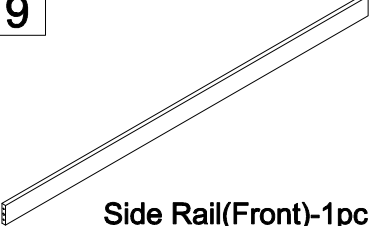
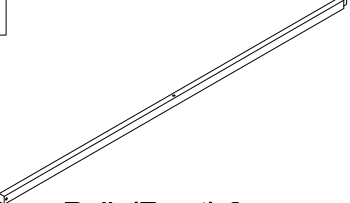
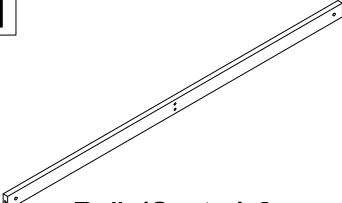
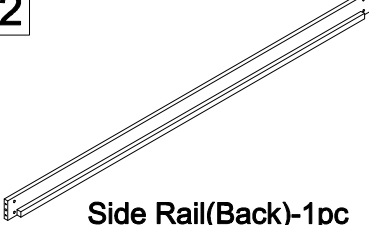
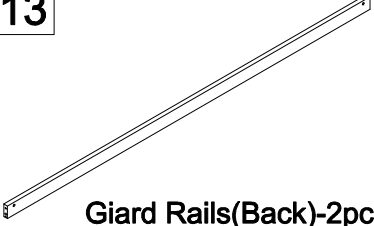
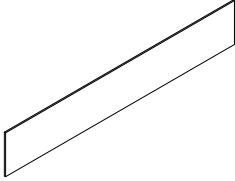
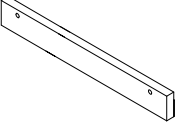

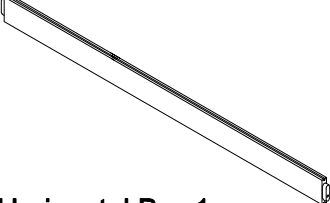

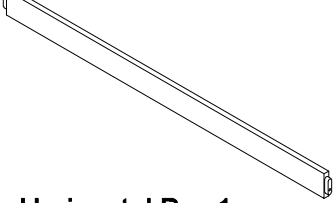

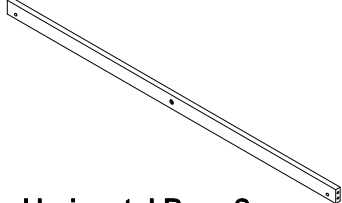
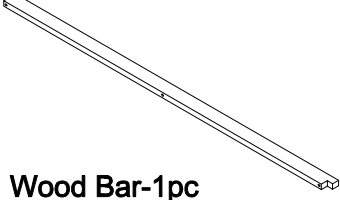
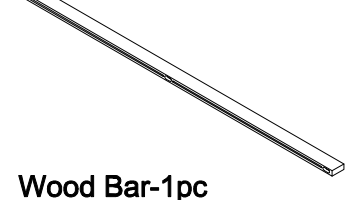
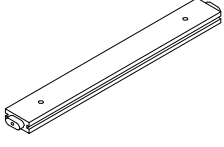
5.Replacement Parts:

Replacement Parts, including additional guardrails, may be obtained from any of our dealers

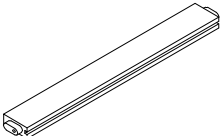
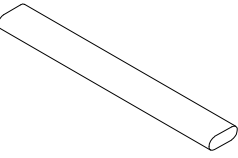
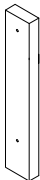

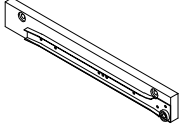

ASSEMBLY INSTRUCTION




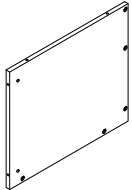
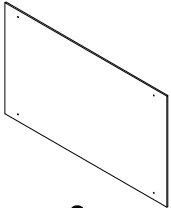
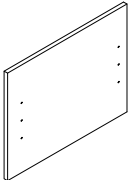
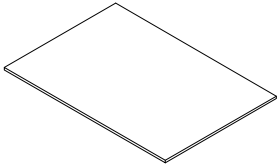
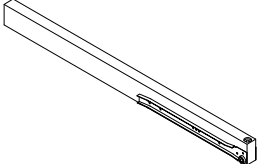
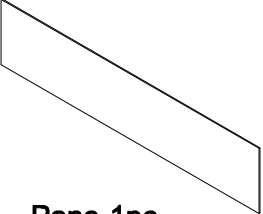
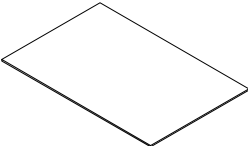
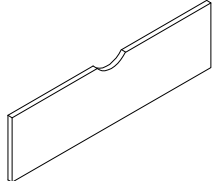
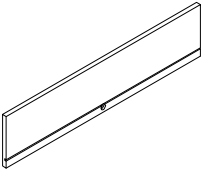
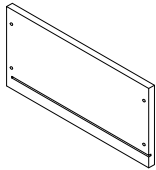
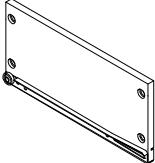
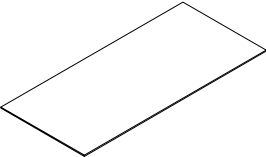
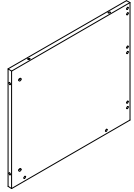
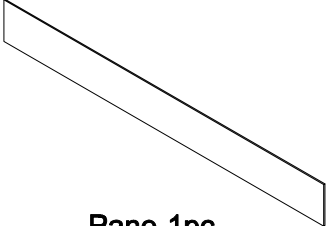
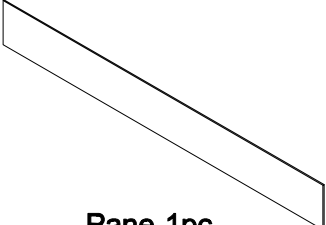
Part List (Box 1)

<p>4</p>  <p>Leg-1pc</p>	<p>5</p>  <p>Leg-1pc</p>	<p>6</p>  <p>Leg-1pc</p>
<p>7</p>  <p>Leg-1pc</p>	<p>8</p>  <p>Rail(Back)-1pc</p>	<p>9</p>  <p>Side Rail(Front)-1pc</p>
<p>10</p>  <p>Rails(Front)-2pcs</p>	<p>11</p>  <p>Rails(Center)-2pcs</p>	<p>12</p>  <p>Side Rail(Back)-1pc</p>
<p>13</p>  <p>Giard Rails(Back)-2pcs</p>	<p>14</p>  <p>Panes(Back)-2pcs</p>	<p>19</p>  <p>Rails-2pcs</p>
<p>21</p>  <p>Horizontal Bar-1pc</p>	<p>23</p>  <p>Horizontal Bar-1pc</p>	<p>24</p>  <p>Horizontal Bar-1pc</p>
<p>25</p>  <p>Horizontal Bar-1pc</p>	<p>26</p>  <p>Horizontal Bar-1pc</p>	<p>27</p>  <p>Horizontal Bars-2pcs</p>
<p>28</p>  <p>Wood Bar-1pc</p>	<p>29</p>  <p>Wood Bar-1pc</p>	<p>30</p>  <p>Wood Bar-1pc</p>


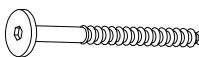
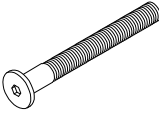

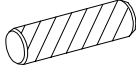

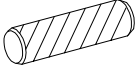
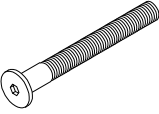

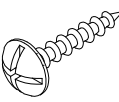
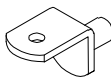


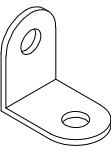

Part List (Box 1)

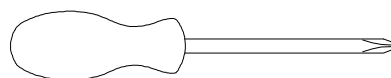
32  Wood Bars-2pcs	38  Drawer-Sup Bottom Panels-4pcs	40  Rail-1pc
41  Rail-1pc	42  Rails-2pcs	43  Horizontal Bar-1pc

Part List & Hardware List (Box 2-

<p>1</p>  <p>Slats-10pcs</p>	<p>15</p>  <p>Side Pane-1pc</p>	<p>16</p>  <p>Panes-2pcs</p>
<p>17</p>  <p>Pane-1pc</p>	<p>18</p>  <p>Remove Pane-1pc</p>	<p>20</p>  <p>Rails-2pcs</p>
<p>22</p>  <p>Pane-1pc</p>	<p>31</p>  <p>Panes-2pcs</p>	<p>33</p>  <p>Drawer-Front Panels-4pcs</p>
<p>34</p>  <p>Drawer-Back Panels-4pcs</p>	<p>35</p>  <p>Drawer-Side Panels-4pcs</p>	<p>36</p>  <p>Drawer-Side Panels-4pcs</p>
<p>37</p>  <p>Drawer-Bottom Panels-4pcs</p>	<p>39</p>  <p>Pane-1pc</p>	<p>44</p>  <p>Pane-1pc</p>
<p>45</p>  <p>Pane-1pc</p>		

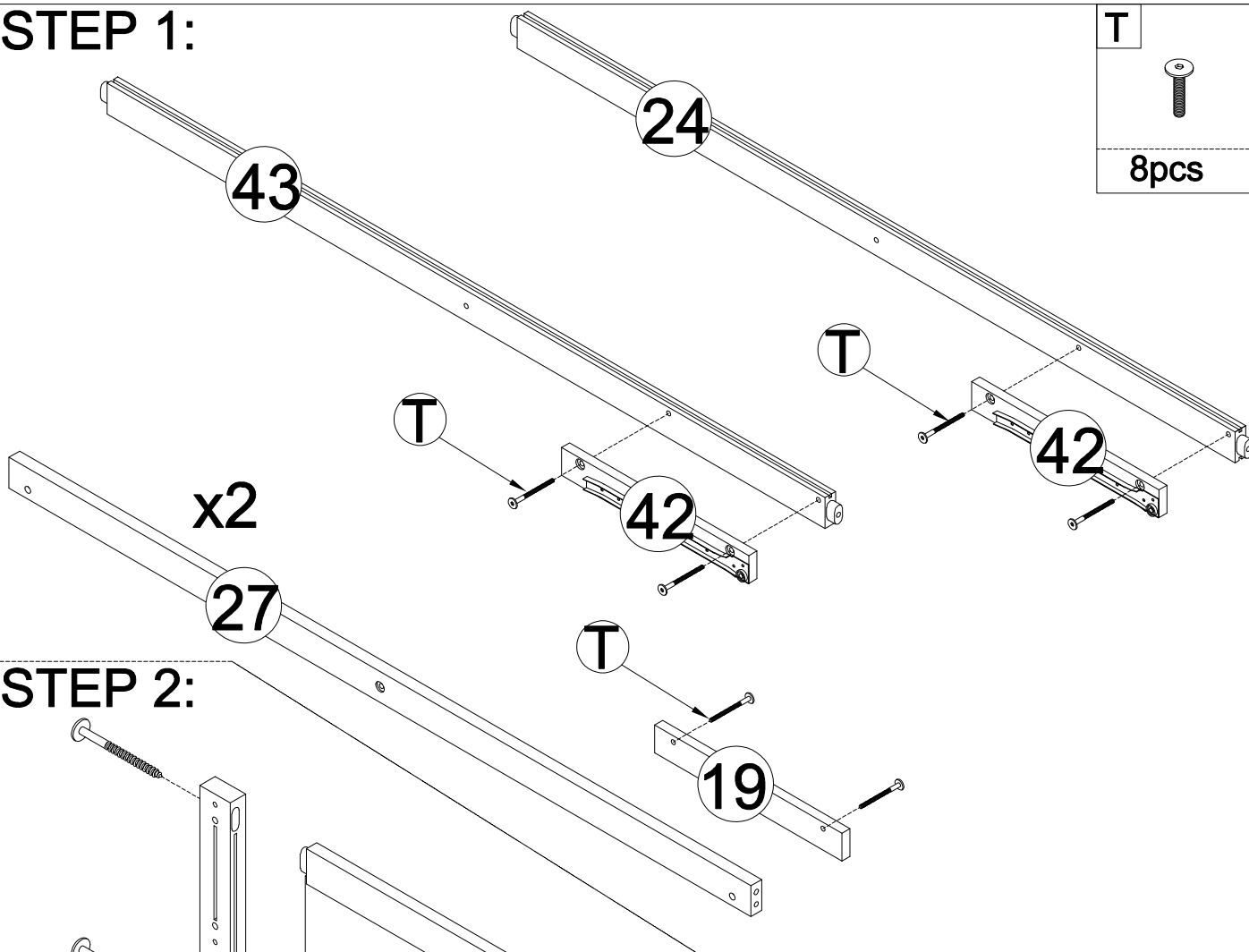
Hardware List (Box 2)


<p>A</p>  <p>Ø1/4" x 30 mm Hex-Head bolts 5pcs</p>	<p>B</p>  <p>Screws 1/4" x80 16pcs</p>	<p>C</p>  <p>Screws 1/4"x60 12pcs</p>
<p>D</p>  <p>Ø1/4" x 13 mm Horizontal-Hole bolts 26pcs</p>	<p>E</p>  <p>Ø8 x 30 mm Wood dowel 10pcs</p>	<p>F</p>  <p>Screws 1/4" x30 3pcs</p>
<p>G</p>  <p>Ø10 x 40 mm Wood dowel 8pcs</p>	<p>H</p>  <p>Screws 1/4"x80 16pcs</p>	<p>K</p>  <p>Screws 1/4"x50 10pcs</p>
<p>L</p>  <p>M4 x 15 mm Wood Screws 10pcs</p>	<p>M</p>  <p>Dowel Remove Shelves 4pcs</p>	<p>N</p>  <p>M4 x 30 mm Wood Screws 58pcs</p>
<p>P</p>  <p>Allen Key 1pc</p>	<p>Q</p>  <p>Steel Bracket 1pc</p>	<p>T</p>  <p>Ø1/4" x 25 mm Hex-Head bolts 8pcs</p>



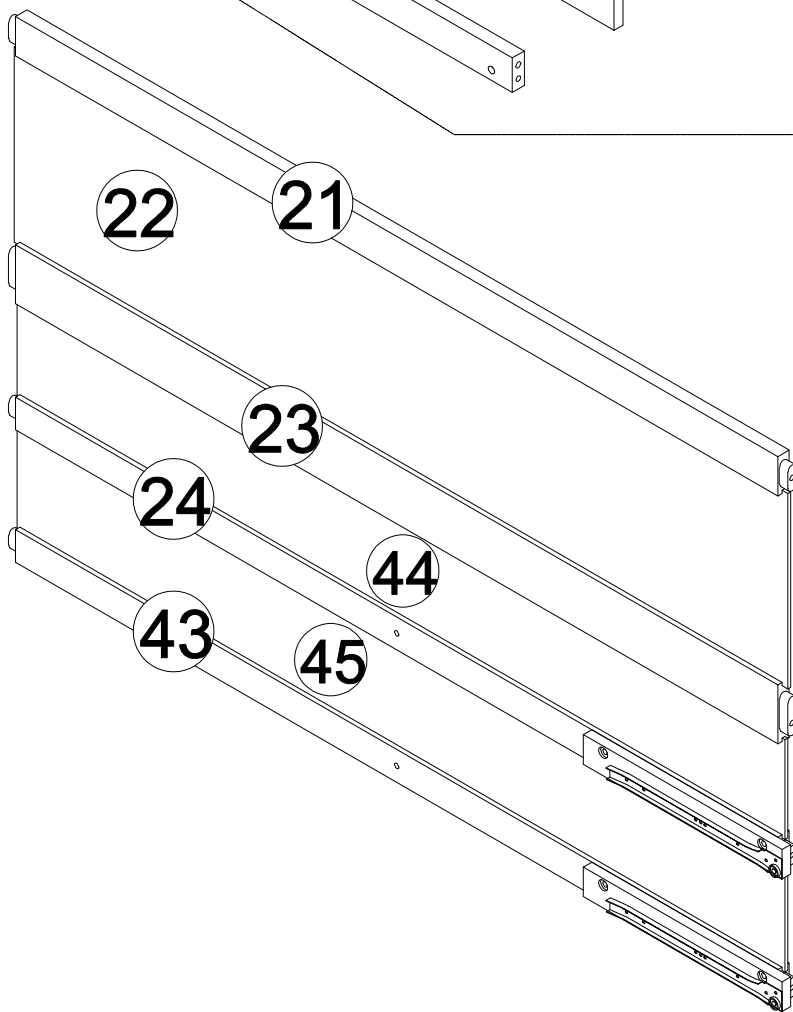
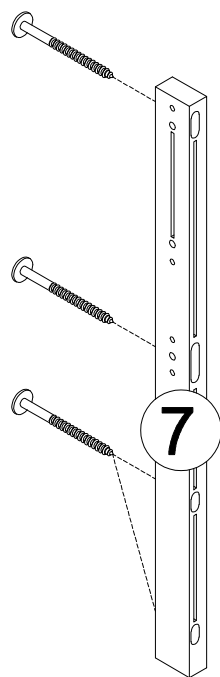
Assembly Tools Required (Not Included)

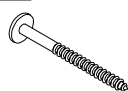
STEP 1:

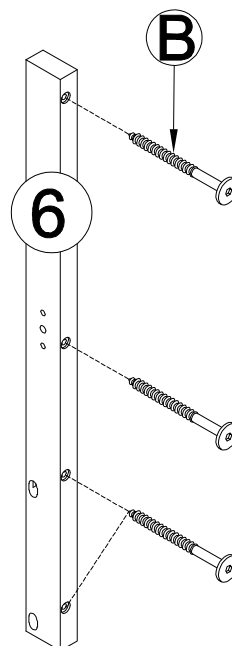


T

8pcs

STEP 2:



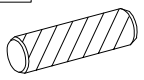


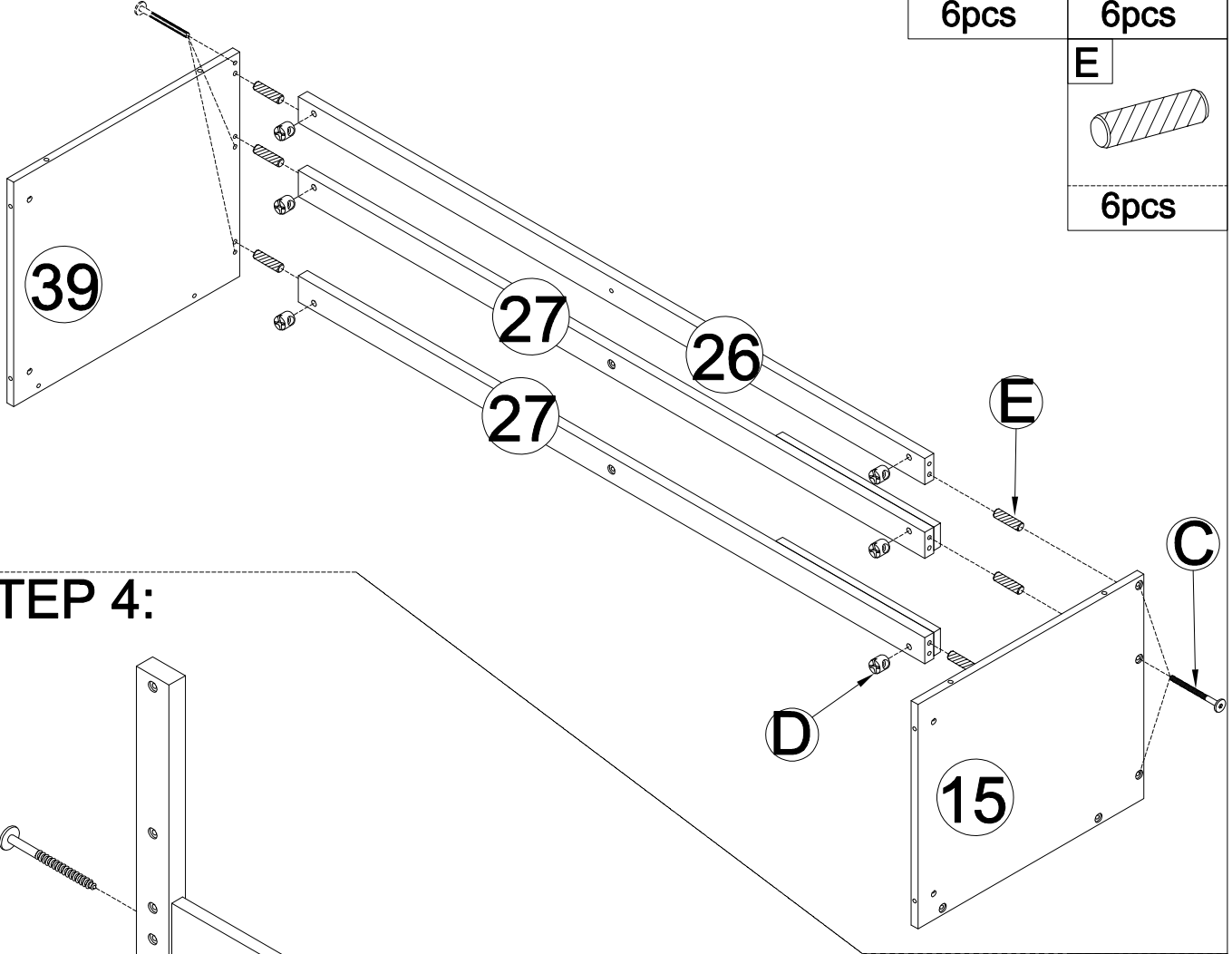
B

8pcs



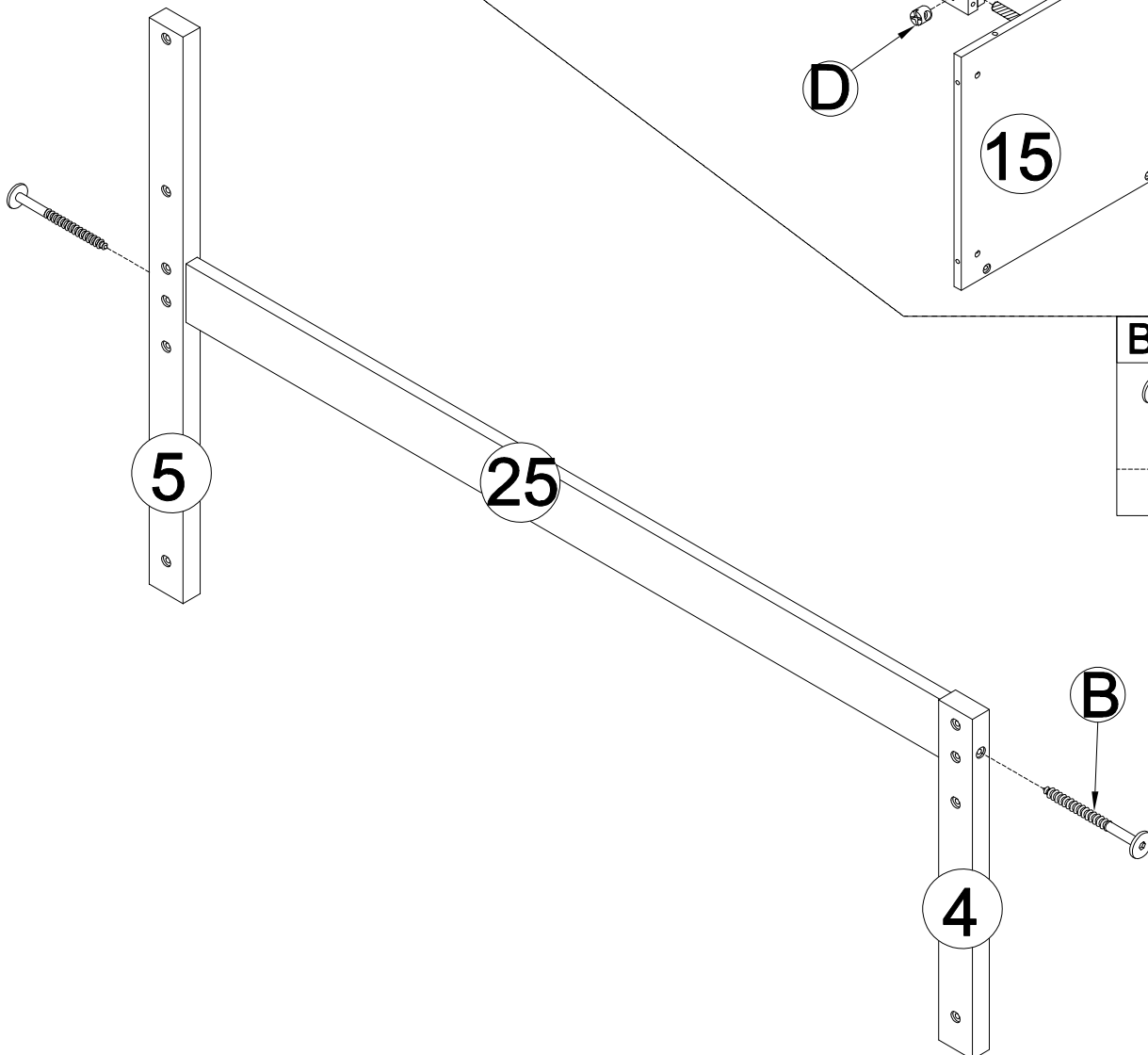
STEP 3:

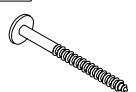
-Using HW #C,#D and Dowel E to connect 26,27(x2) Wood Bars with 15,39 Panes

D 	C 
6pcs	6pcs
E 	
6pcs	



STEP 4:



B 
2pcs

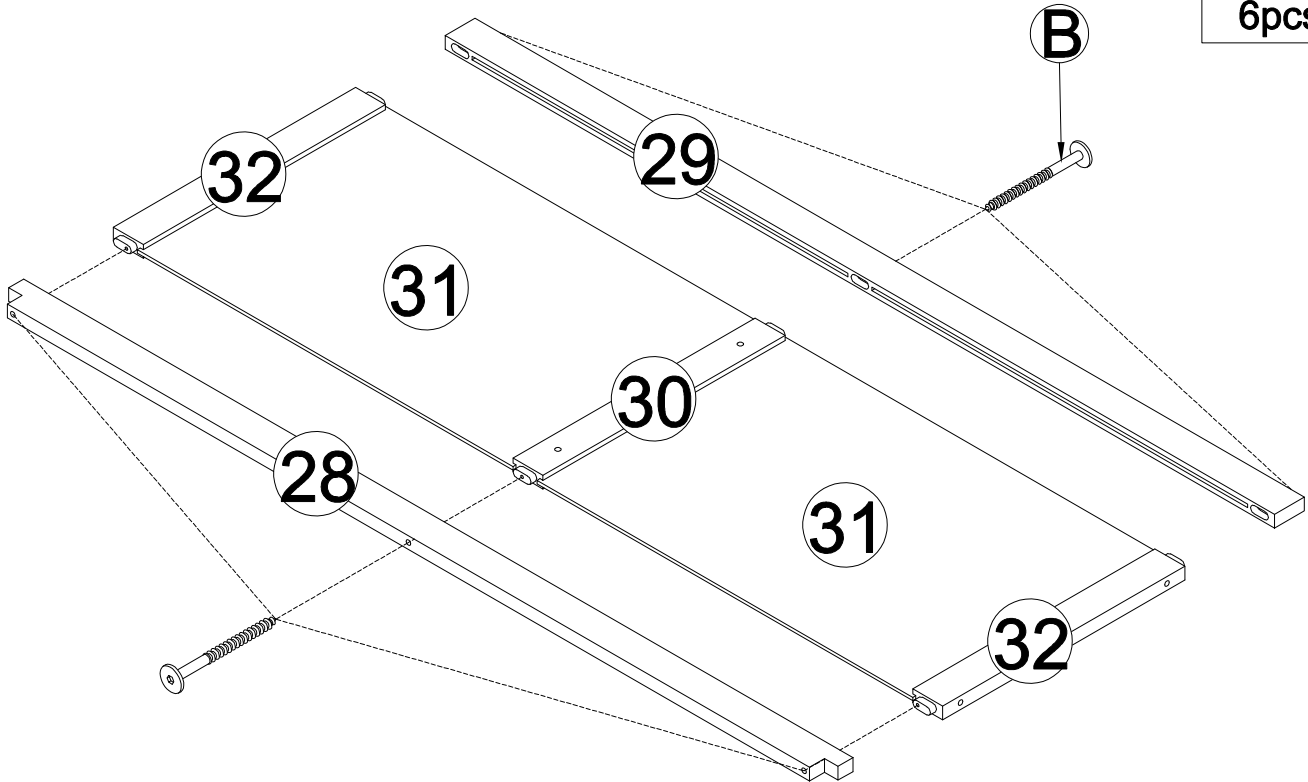
STEP 5:

-Using HW #B to connect 28,29 Wood Bars with 30,32(x2)
Wood Bars and 31(x2) Panes

B



6pcs



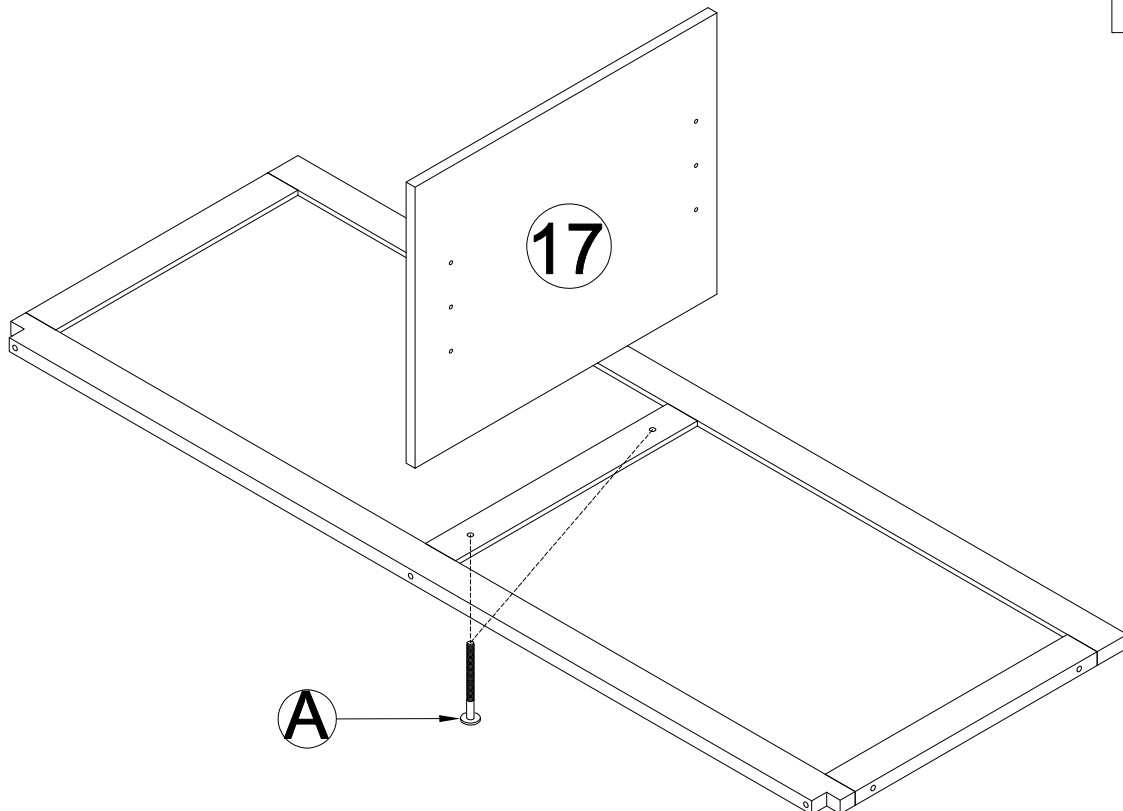
STEP 6:

-Using HW #A to connect Frame(Completed in step 5) with 17 Pane

A

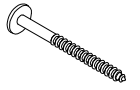


2pcs

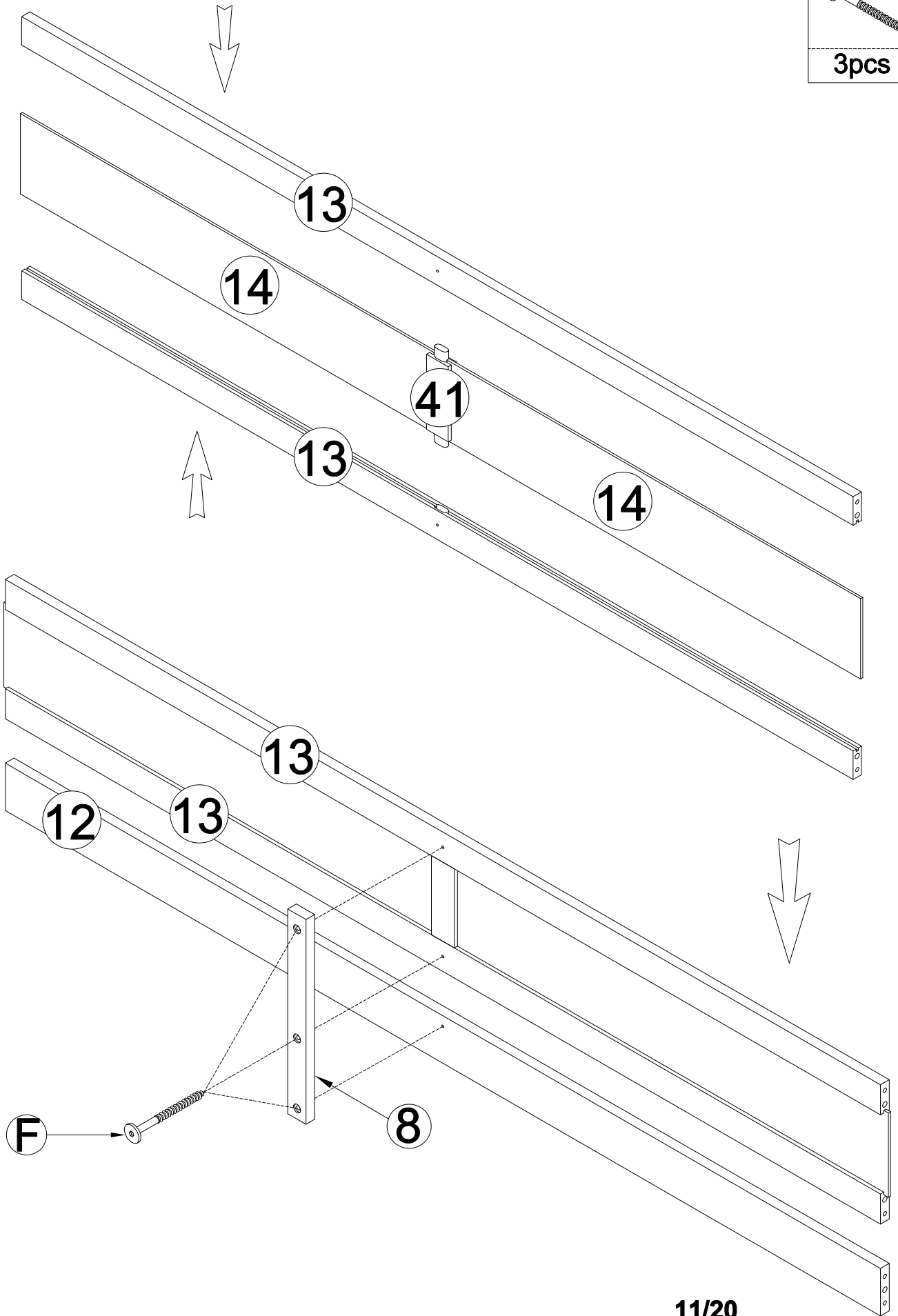


STEP 7:


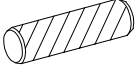



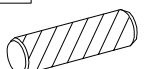

F

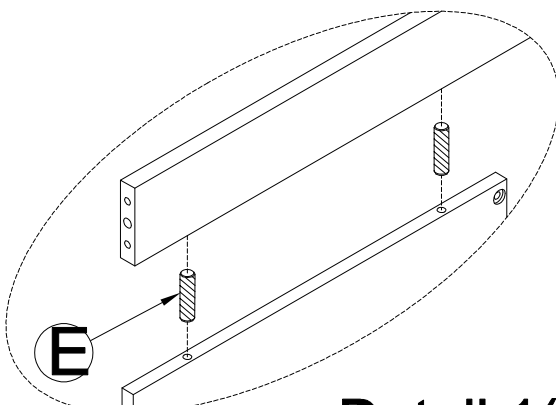
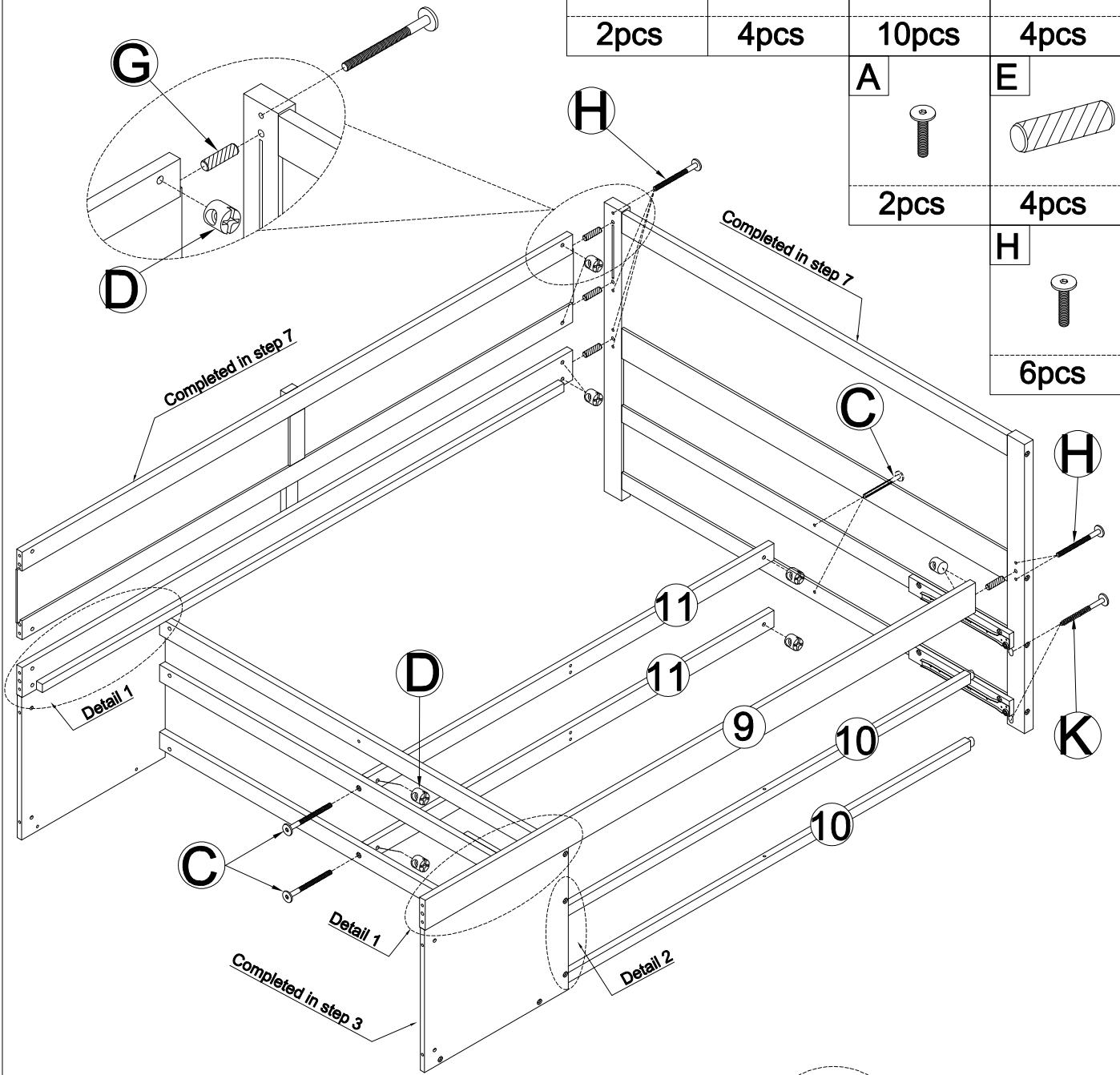


3pcs

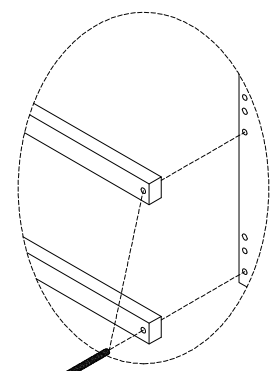


STEP 8:

K 	G 	D 	C 
2pcs	4pcs	10pcs	4pcs
		A 	E 
		2pcs	4pcs
		H 	
		6pcs	




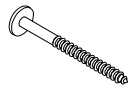
Detail 1(x2)

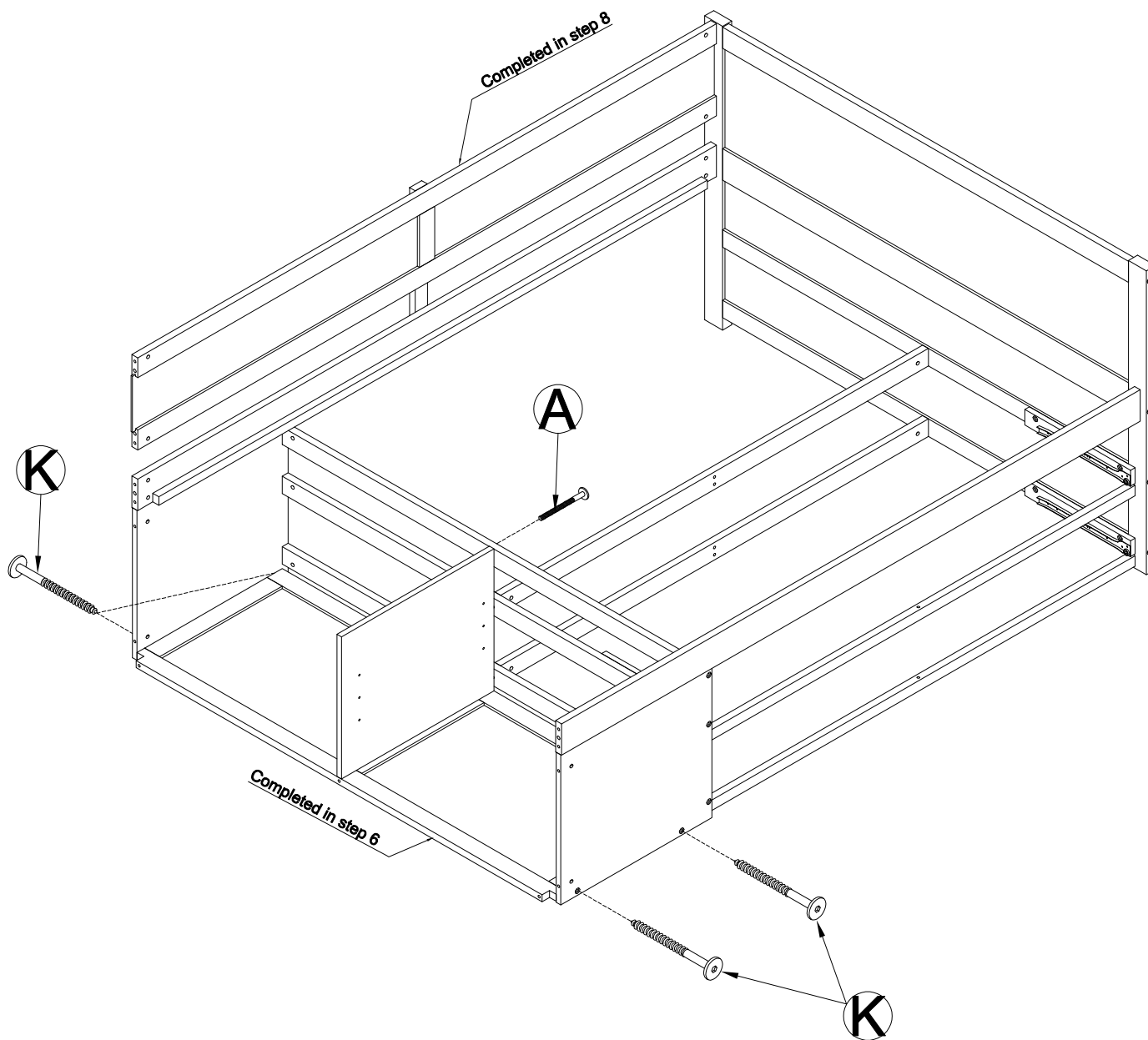


Detail 2

STEP 9:

-Using HW #A,#K to connect Frame(Completed in step 8)
with Frame(Completed in step 6)

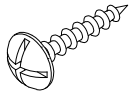
A	K
	
1pc	4pcs



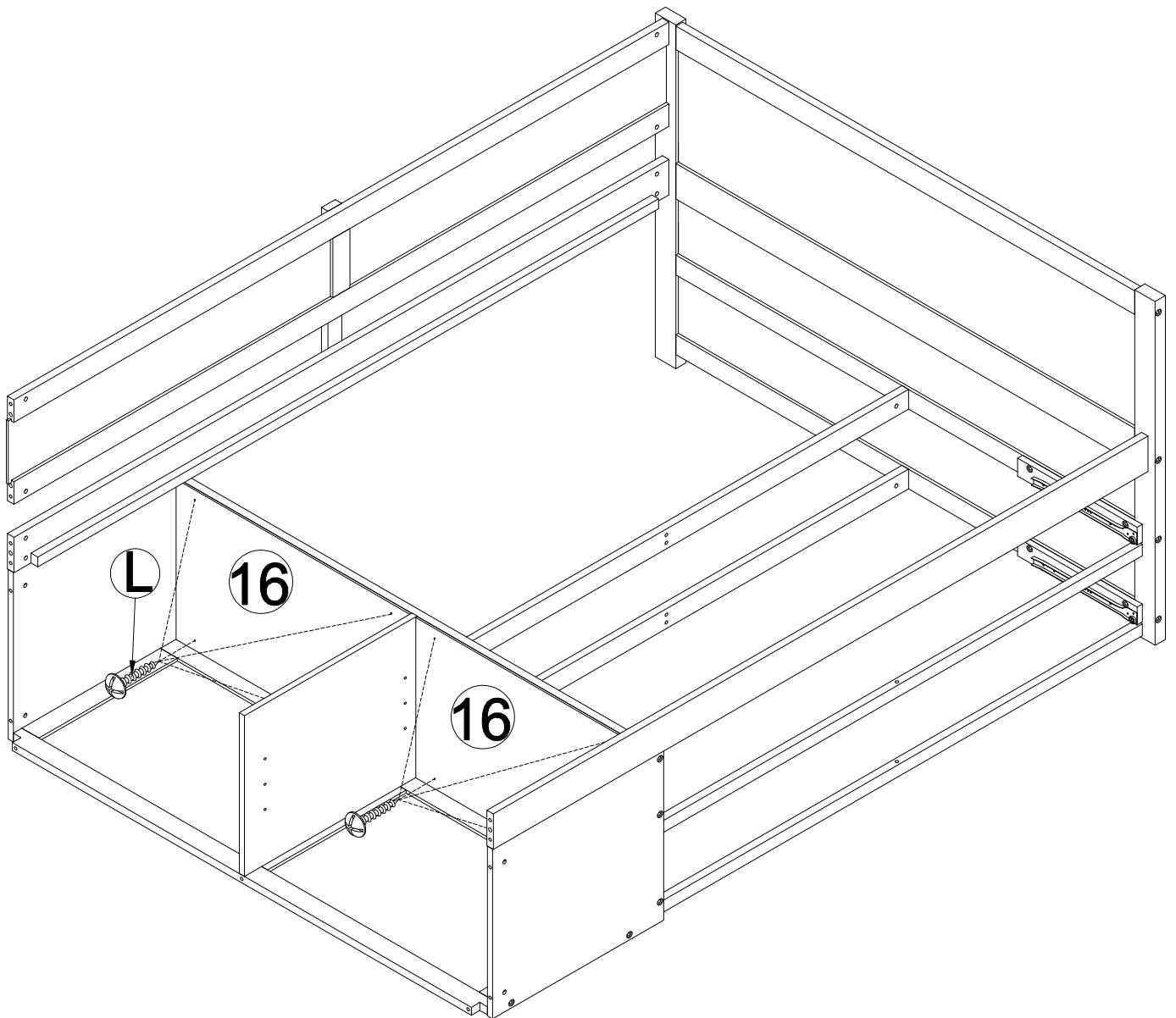
STEP 10:

-Using HW #L to connect Frame(Completed in step 9) with
16(x2) Panes

L

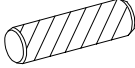
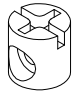



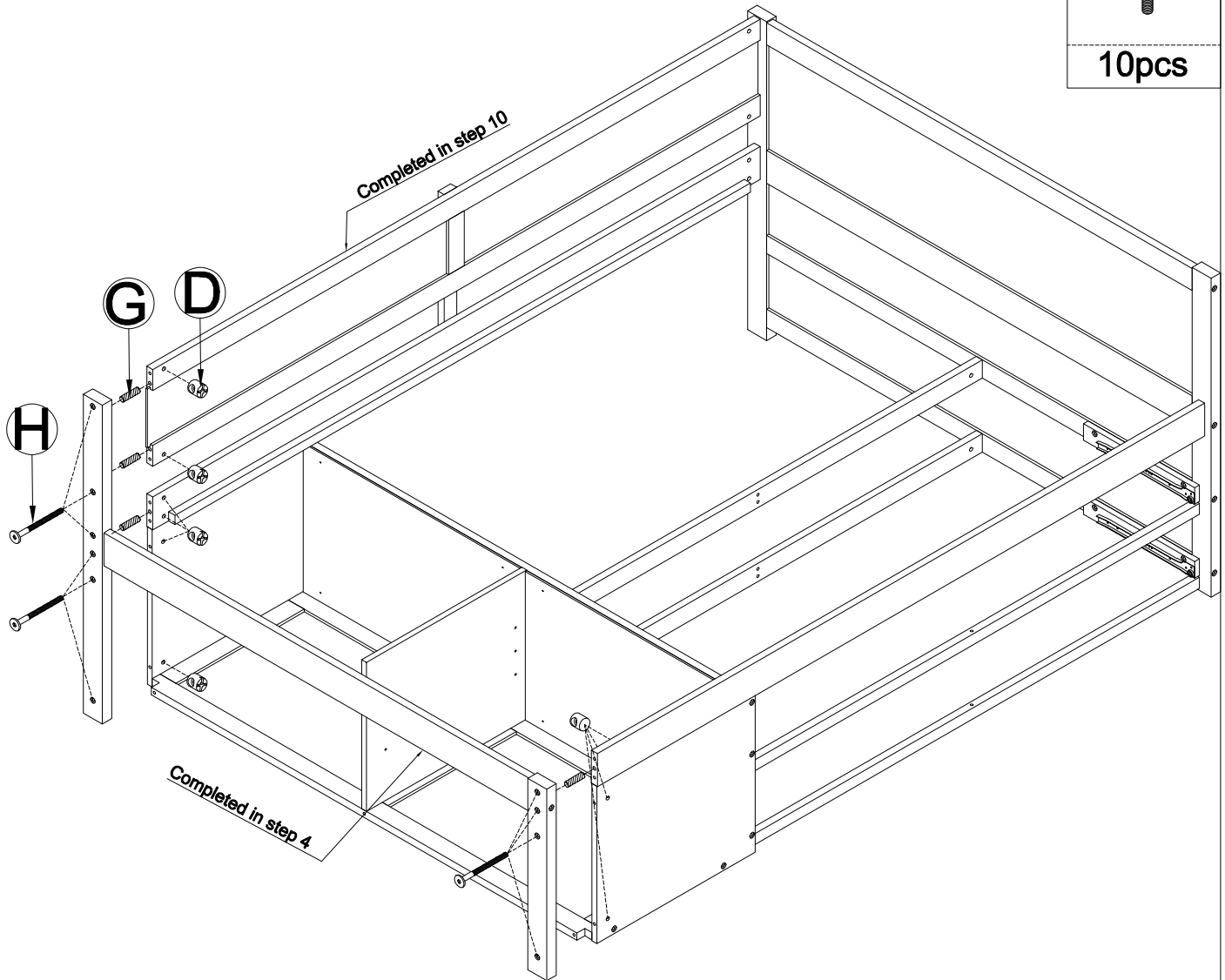
8pcs



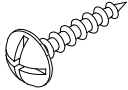
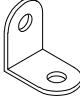
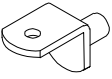
STEP 11:

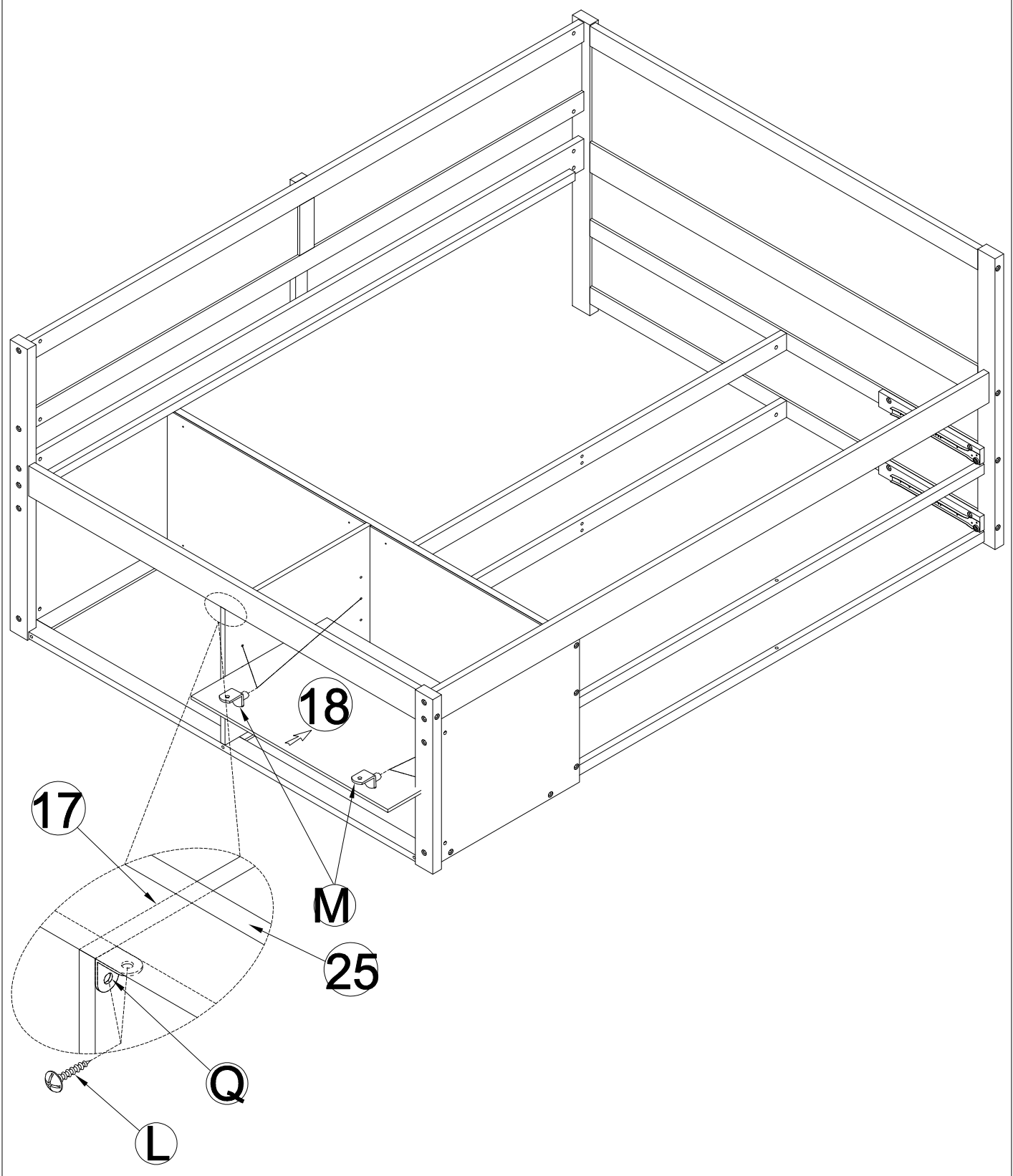
-Using HW #D,#H and Dowel #G to connect
Frame(Completed in step 10) with
Frame(Completed in step 4)

G 	D 
4pcs	10pcs
H 	
10pcs	



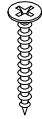


STEP 12:

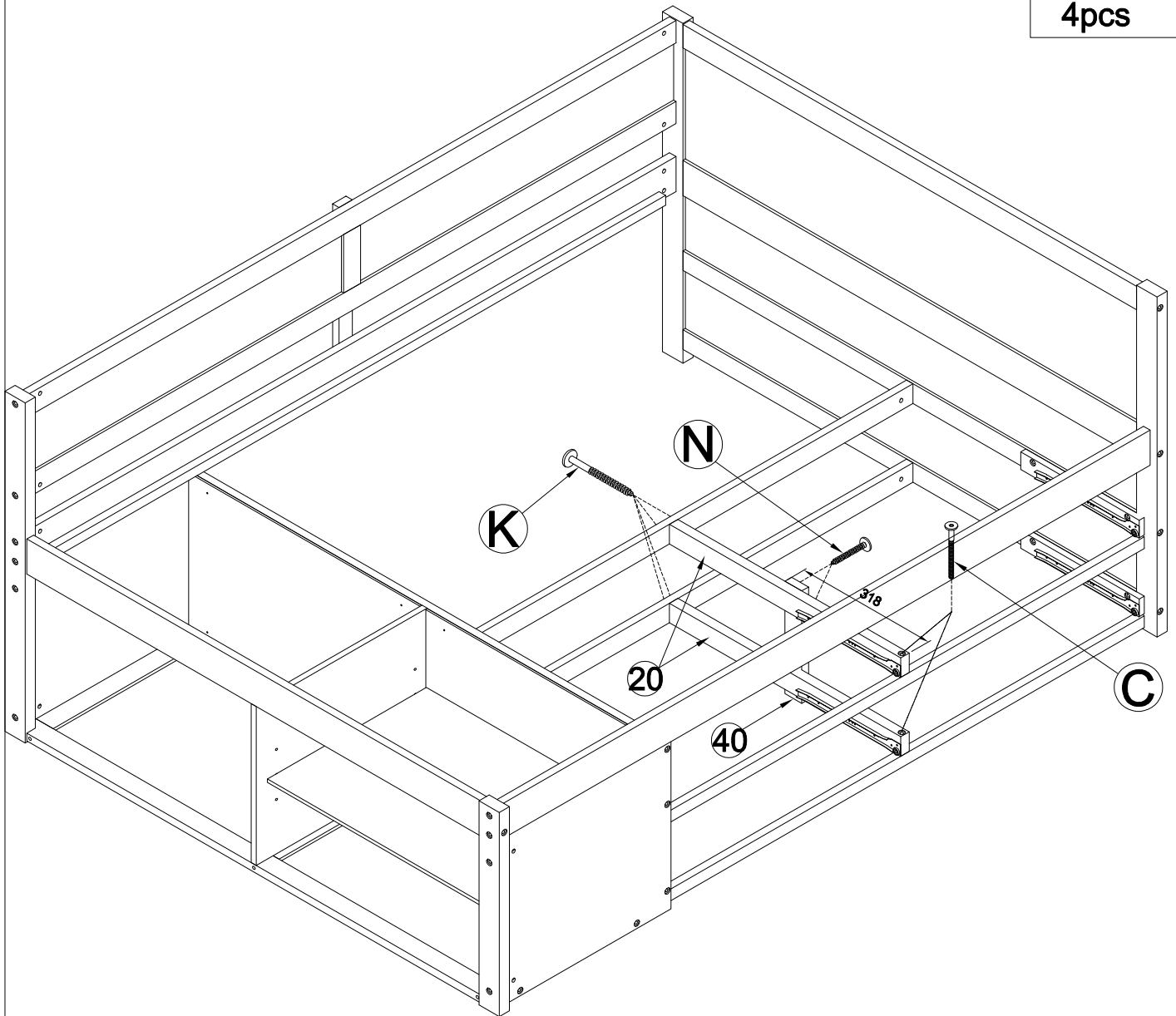
L	Q	M
		
2pcs	1pc	4pcs



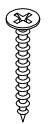
STEP 13:

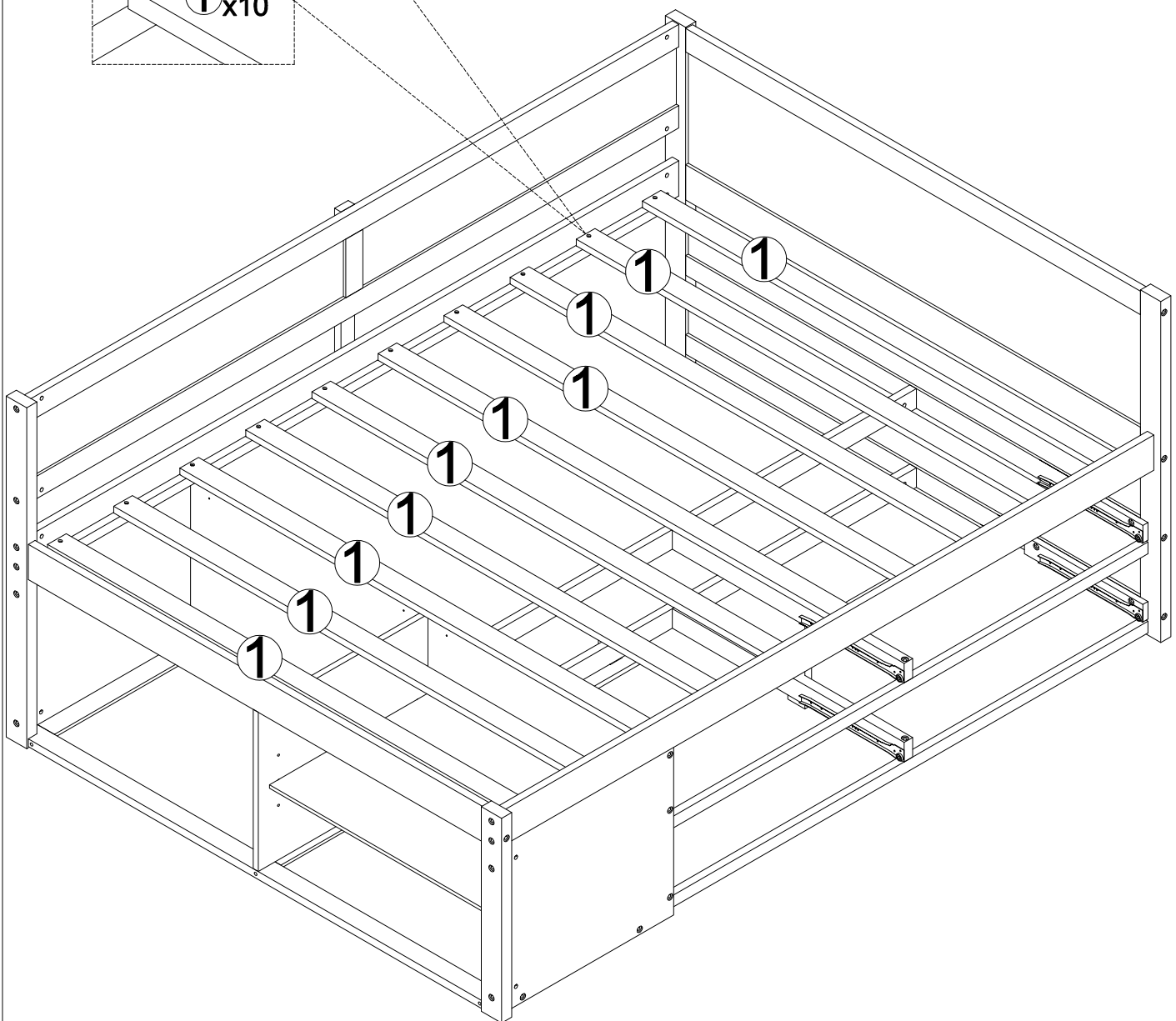
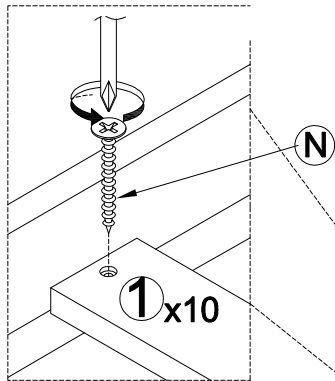
-Using HW #C,#K,#N to connect Frame(Completed in step 12) with 20(x2),40 Rails

N 	C 
2pcs	2pcs
K 	
4pcs	

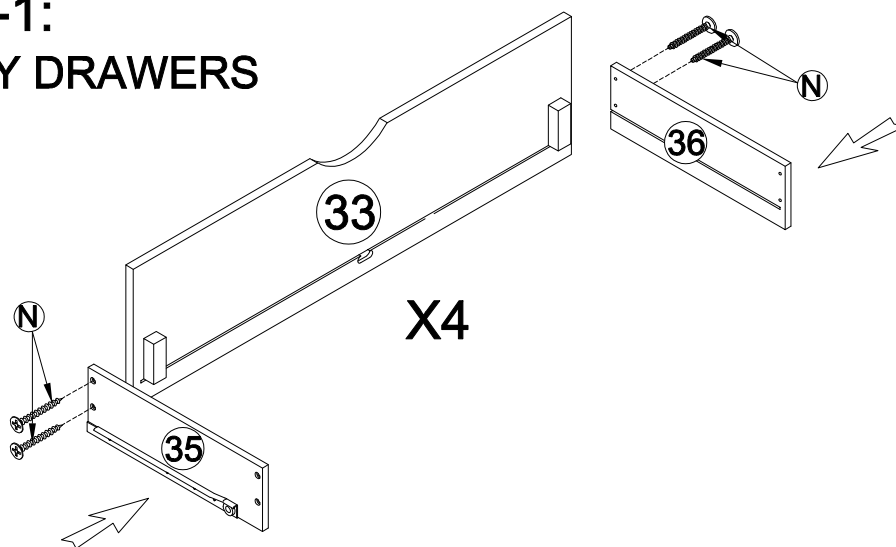


STEP 14:

N	
20pcs	

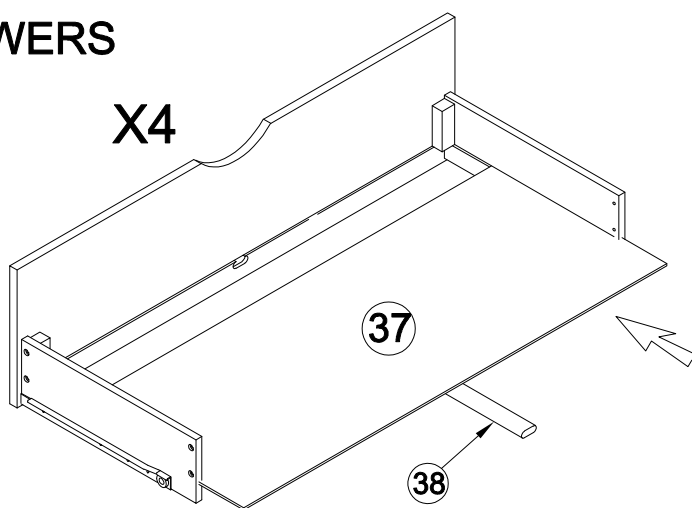


STEP 15-1: ASSEMBLY DRAWERS

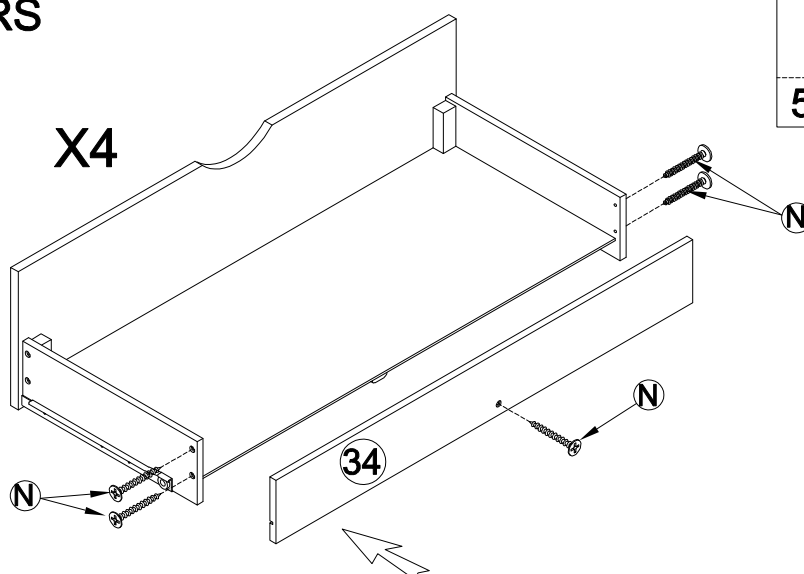


N
4x4(pcs)

STEP 15-2: ASSEMBLY DRAWERS



STEP 15-3: ASSEMBLY DRAWERS



N
5x4(pcs)

CONGRARULATION. YOU HAVE COMPLETED THE BED
-Push 4 Drawer into position

