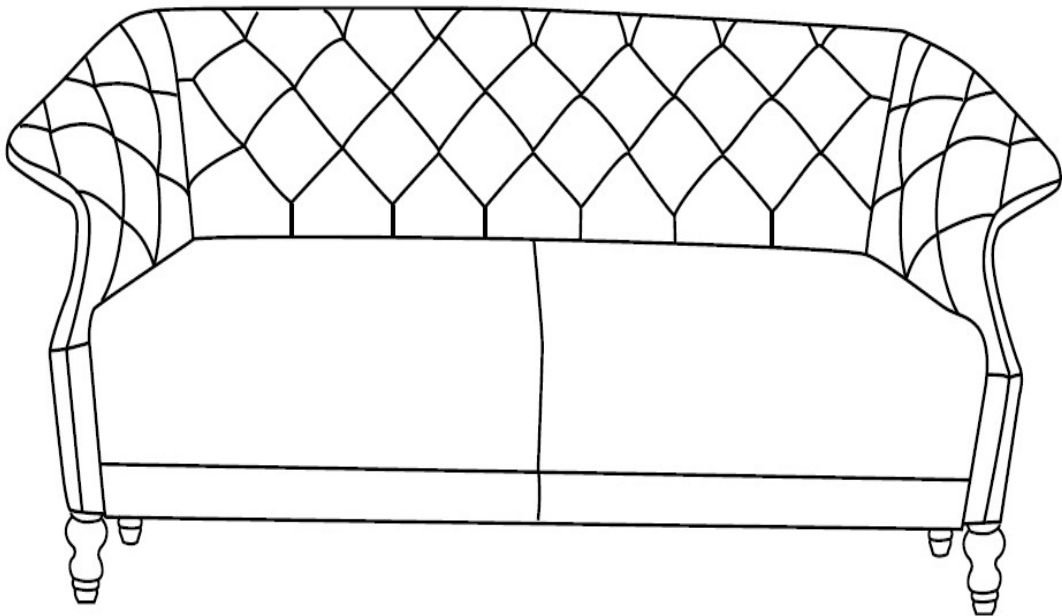


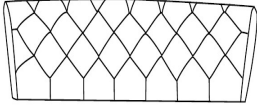
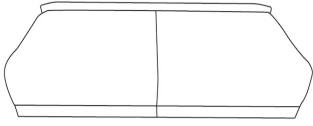



Assembly Instructions

Caution : You must read this before you proceed

3 SEATER SOFA



Parts List

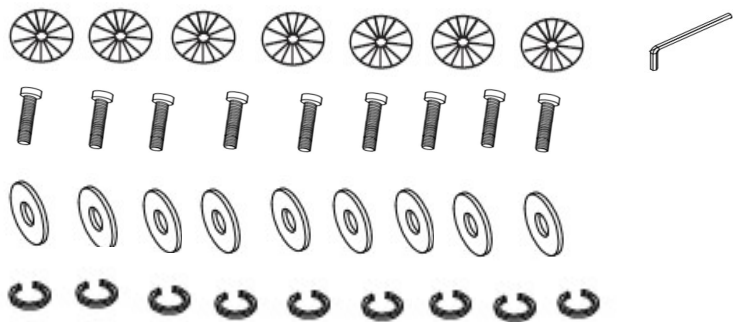
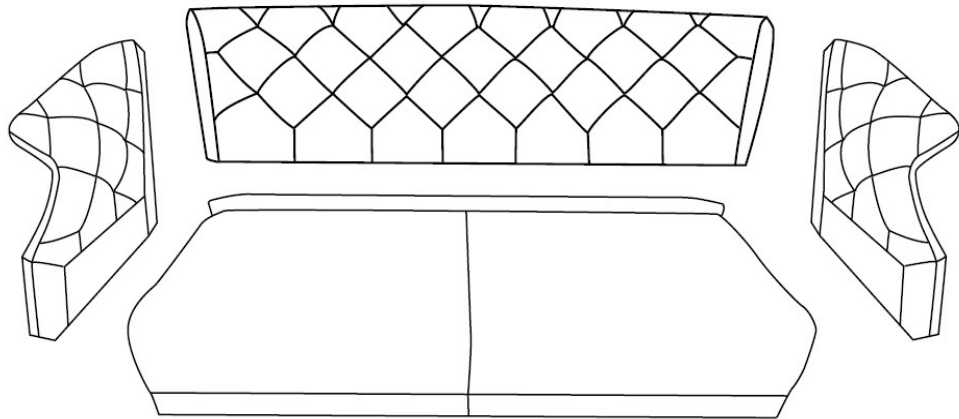
Label	Picture	Description	QTY
A		Backrest	1
B		Seat Frame	1
C		Left Arm	1
D		Right Arm	1
E		Leg	4

Hardware

Label	Picture	Description	QTY
①		Plastic Washer	7
②		Bolt(M8*55MM)	9
③		Washer Ring	9
④		Flat Washer	9
⑤		Allen Wrench	1

Assembly Preparation

Before
Beginning
Assembly:



- Read instructions, cover to cover-



- Have 2 adults on hand for assembly-



- Do not assemble on flooring or carpet-



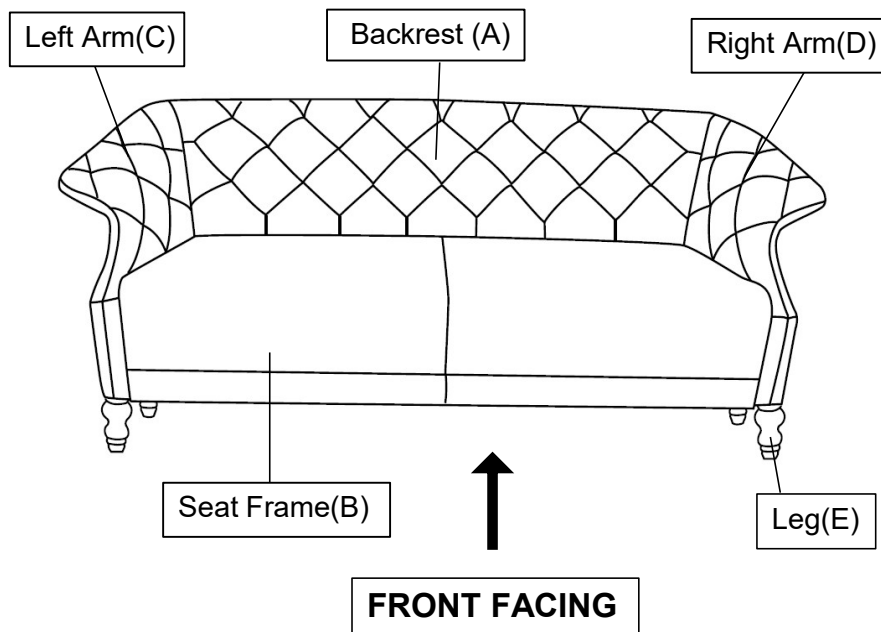
- Assemble on a clean non-marring surface (packing foam)-



- Save all packaging until finished-

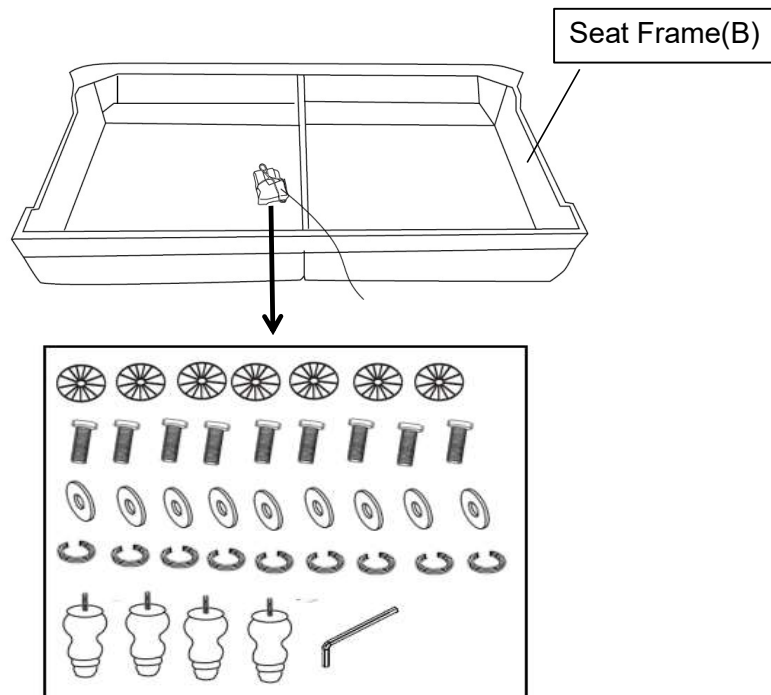
Assembly Steps

OVERVIEW



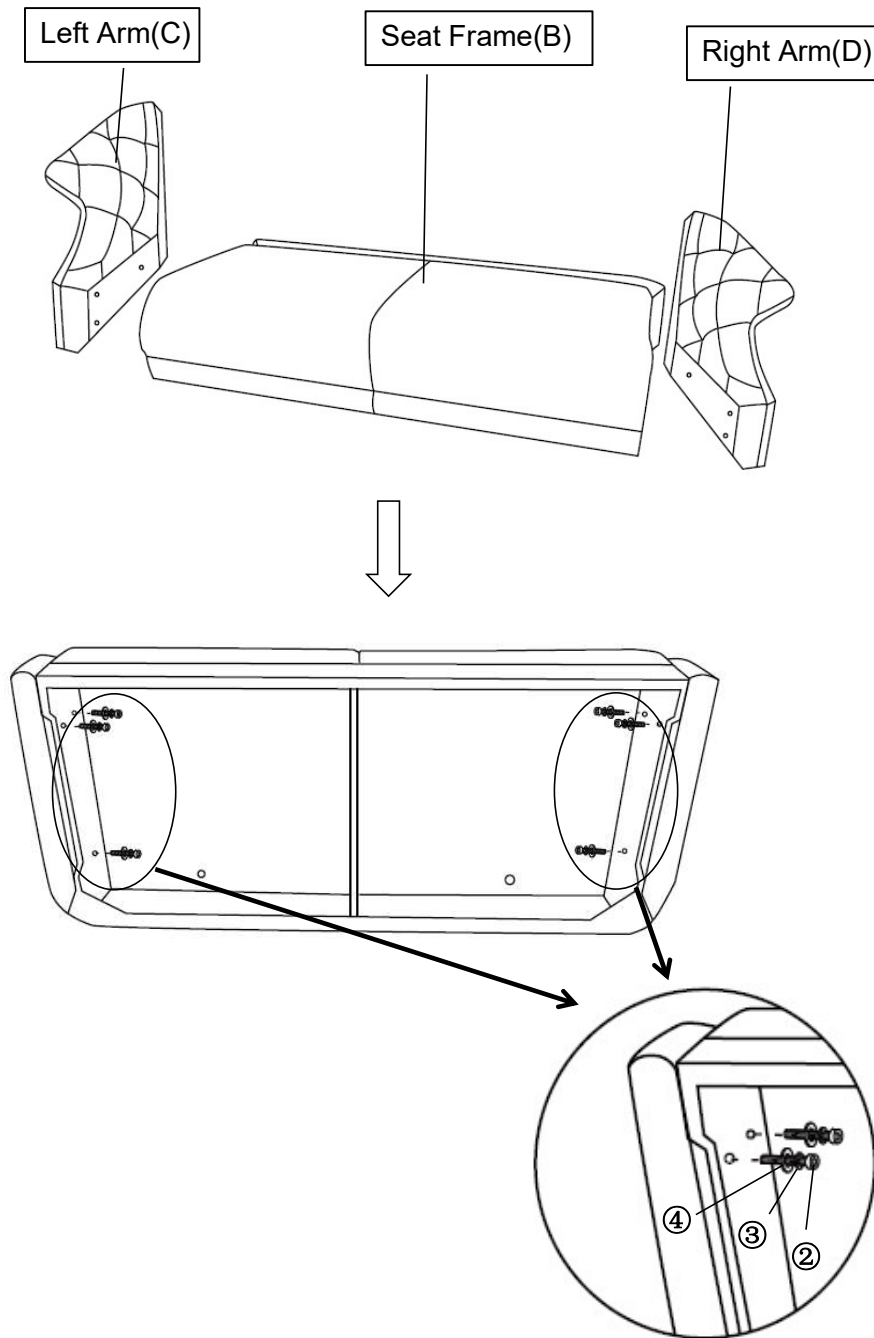
This Sofa has multiple parts and may require up to 60 minutes to assemble. To give you an overview of the Sofa parts, the above picture is to help you put the various Sofa parts into perspective. Please read through the instructions to familiarise yourself with the parts and steps before assembly.

Step 1



Uncover the non-woven Fabric on the bottom of Seat Frame(B).
Remove Leg&Hardware package as shown above.

Step 2

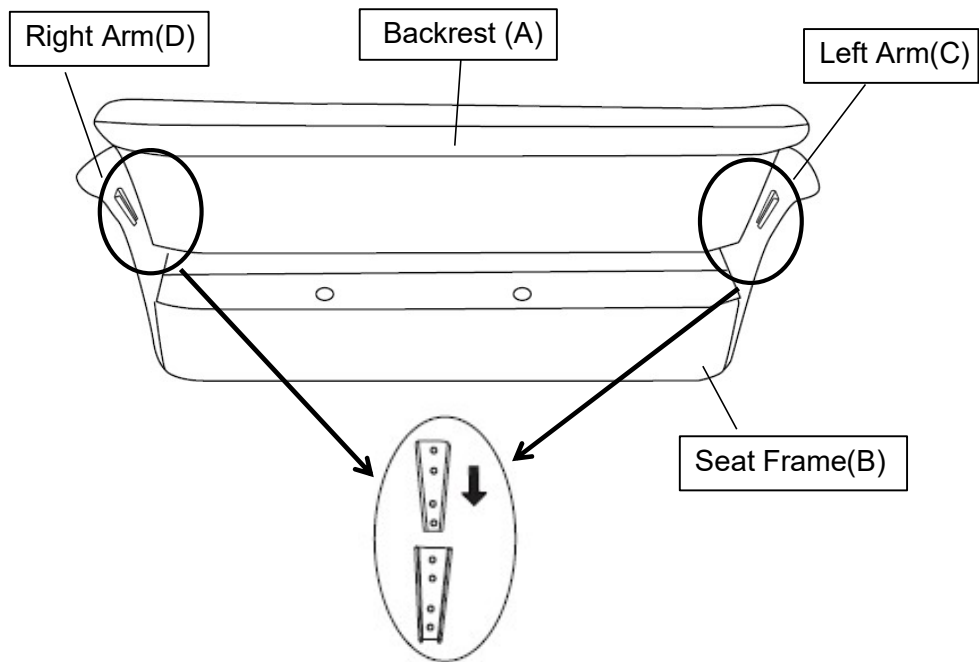


Position the Seat Frame(B) rightside up.

Attach the Right Arm(D) to the Seat Frame(B),using Bolt(2),with Washer Ring(3),Flat Washer(4),turning clockwise by hand.

Repeat the same step to finish Left Arm(C).then put the Seat Frame(B) right side up.
At this stage, LOOSELY FASTEN these bolts.

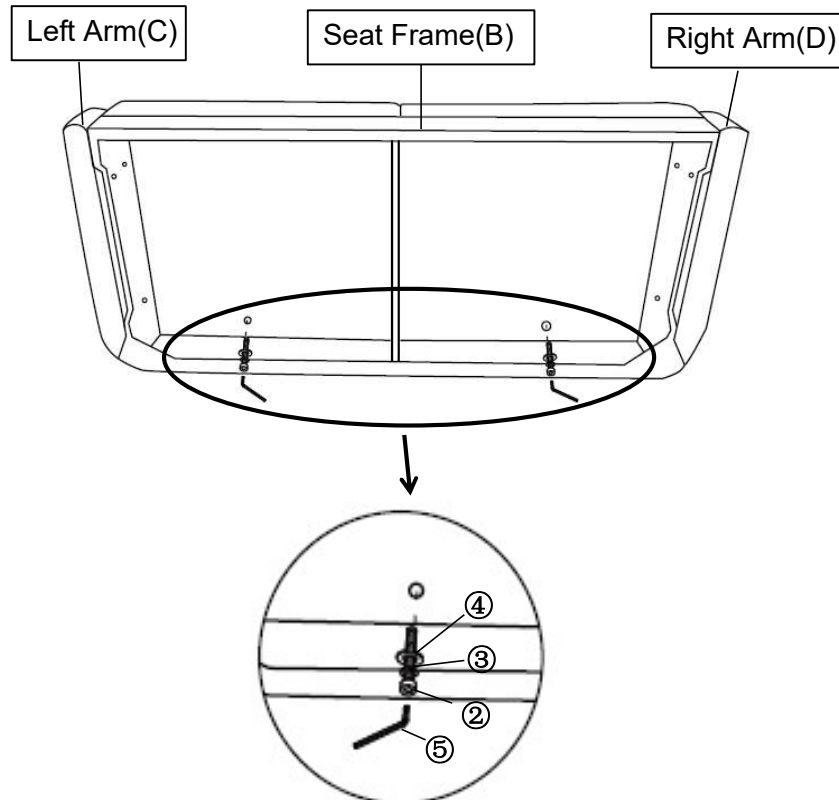
Step 3



With assistance from your adult partner, hold up the Backrest (A) , standing behind the Seat Frame(B) .

Tilt the Backrest(A) slightly,then firmly but gently, push the Backrest(A) downwards until the Backrest is fully slotted and locked into position,as shown above.

Step 4

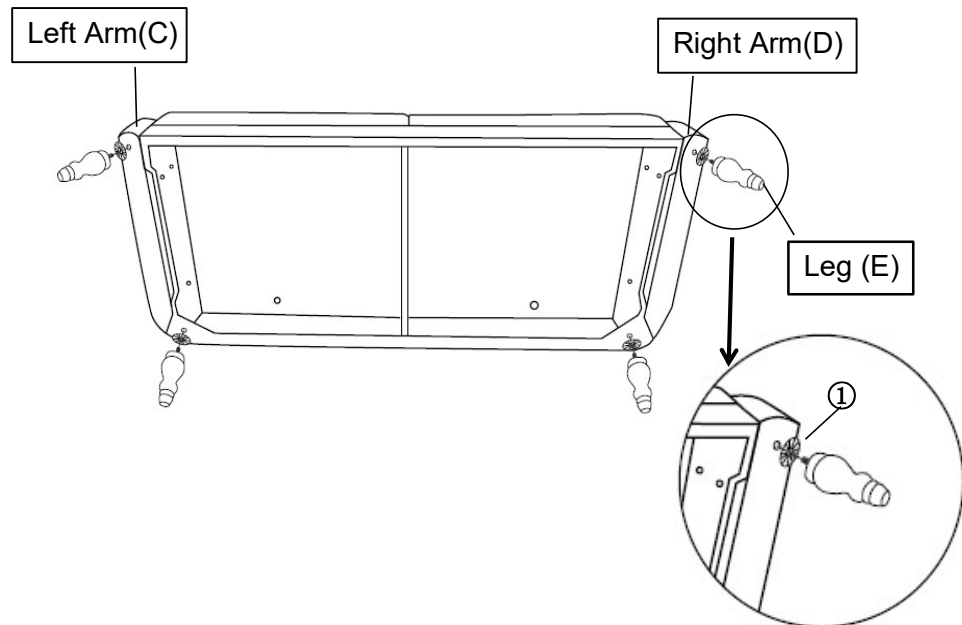


Position the Seat Frame(B) as shown.

Attach the Seat Frame(B) to the Backrest (A) , using Bolt(②), Washer Ring(③), Flat Washer(④) with Allen Wrench(⑤) turning clockwise until tight.

Using Allen Wrench(⑤) turning all the Bolt(②) on the Left Arm(C) and Right Arm(D) tight.

Step 5

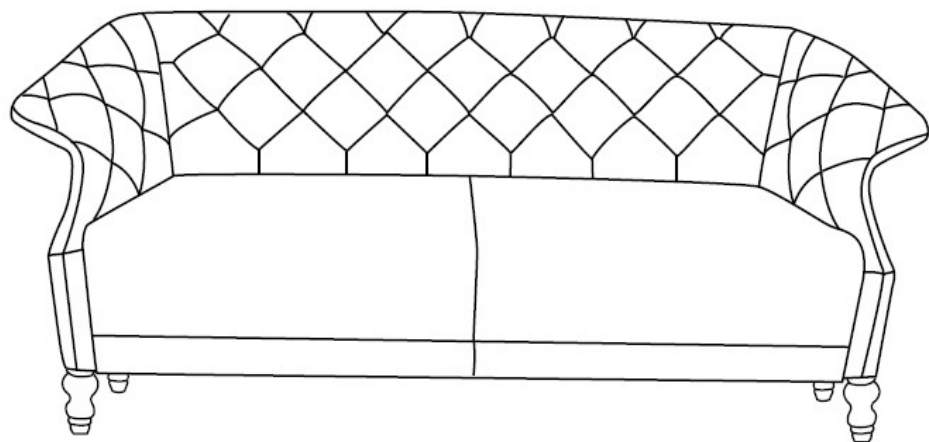


Install the Leg(E) to Right Arm(D) by placing Plastic Washer(①) ,turning the leg clockwise as shown.

Repeat the same step to install the remaining Leg(E).

Note: The use of Plastic Washer(①) are OPTIONAL and are especially useful to help alleviate slight wobbleness. Some Legs may need more than one Plastic Washer(①) whilst some Legs may not need any.

Step 6



Your Loveseat Sofa is ready for use.

Caution :This Chair can only be used on a flat, level surface.

Care & Maintenance



- Furniture may scratch floors. We recommend using furniture pads to protect your floors.



- Do not put hot items directly on furniture surface.



- Do not clean furniture with harsh cleansers or polish.



- Do not place furniture under direct sunlight.



- Do not place furniture near heating or cooling vents.



- Do not write on furniture without a padded barrier to protect the surface.



- Do not place furniture outside . For indoor use only.



- Not for commercial use. For residential use only.



- Stains may be removed with mild soap solution and damp cloth.



- Children should not climb or jump on the furniture.



- Dust and pick-up spills using a clean, non-colored, lint-free cloth.