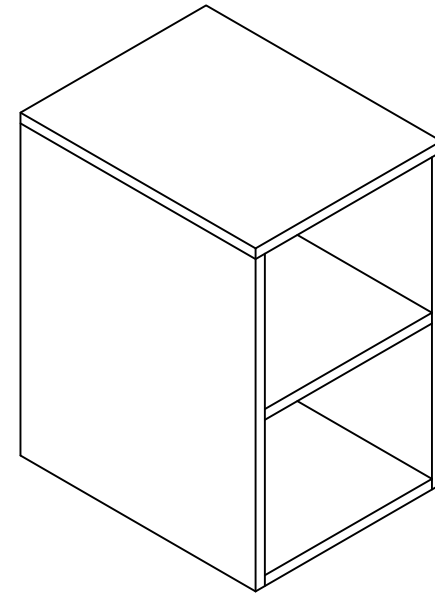


## THANKS FOR WATCHING

Your feedback is invaluable to us and we would love to hear about your experience. Please take the time to leave us a review.

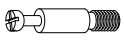







## Thank you for shopping with us!

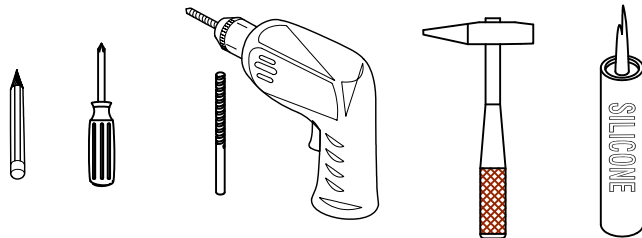
We encourage you to take a few minutes to go through this booklet. It contains important information on installation and care tips to keep your furniture looking as good as new.

# Item NO.:BV H12112

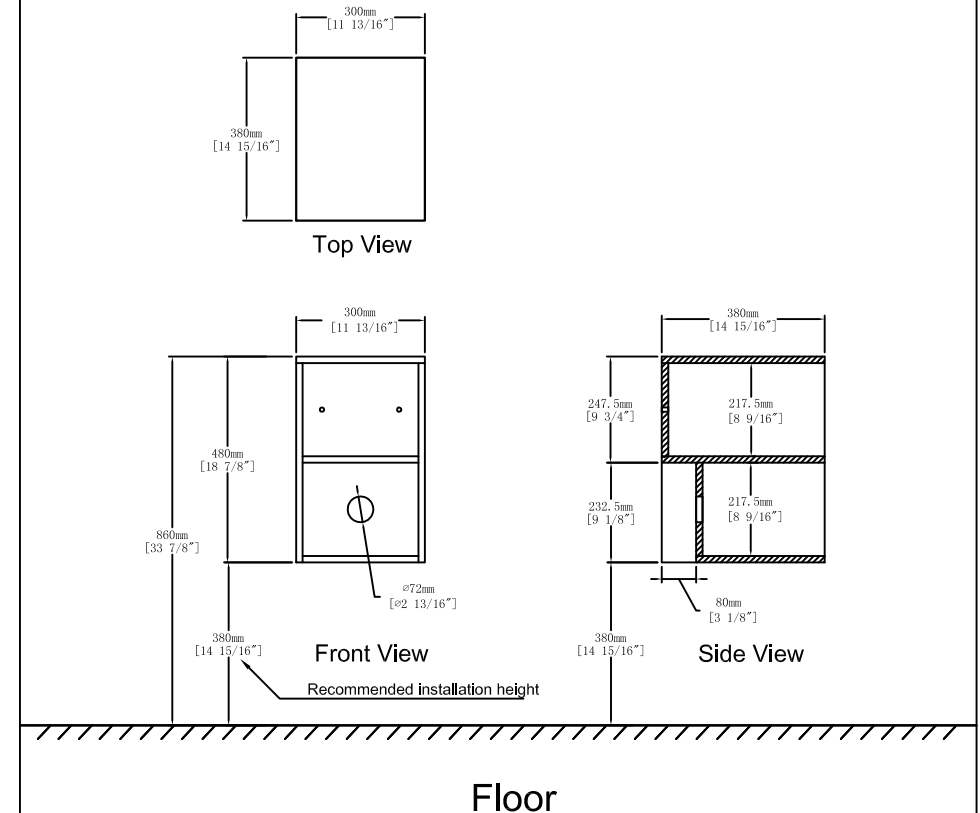
## Hardware

NO.	Draw	QTY	NO.	Draw	QTY
A	 Two-in-one connector	24	D	 Plastic anchor(Ø10mm)	2
B	 Two-in-one connector	24	E	 Screws for fix on the wall	2
C	 Wood plug	6	F	 Screwdriver	1

## Recommended tools

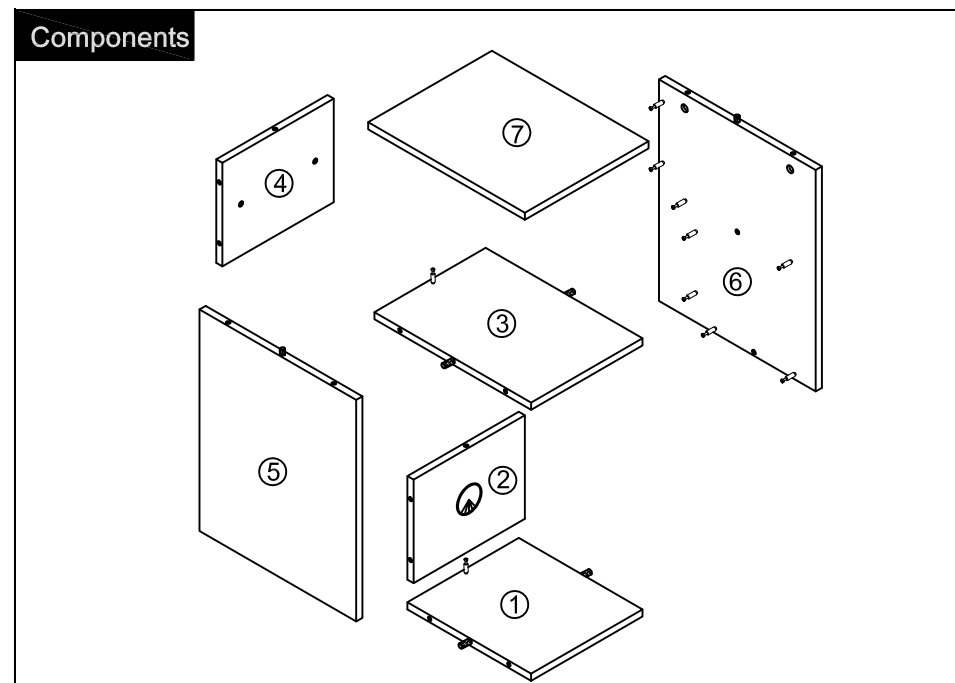
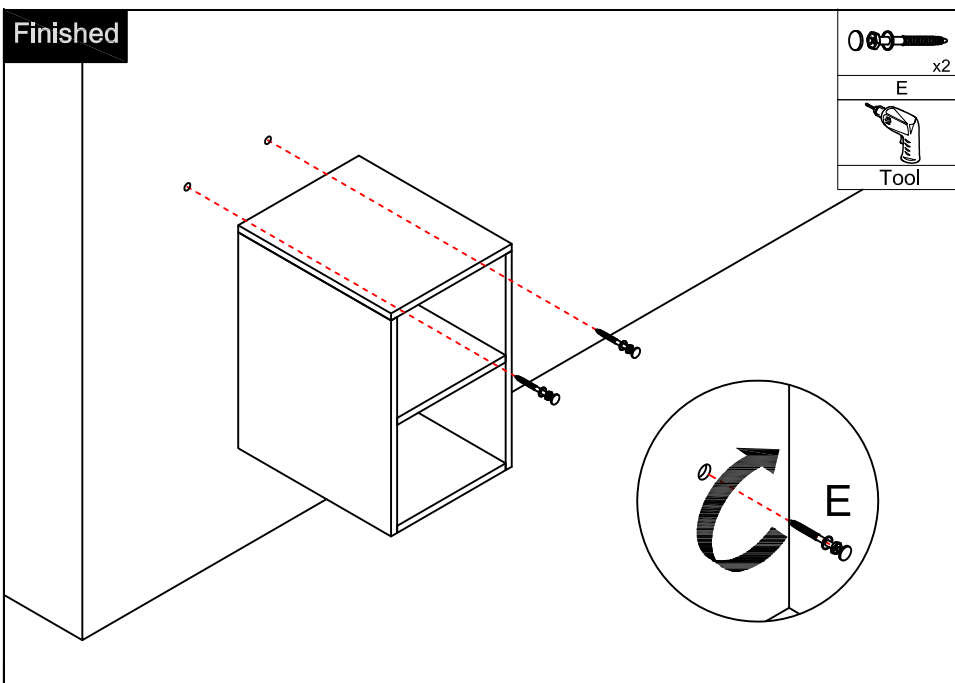
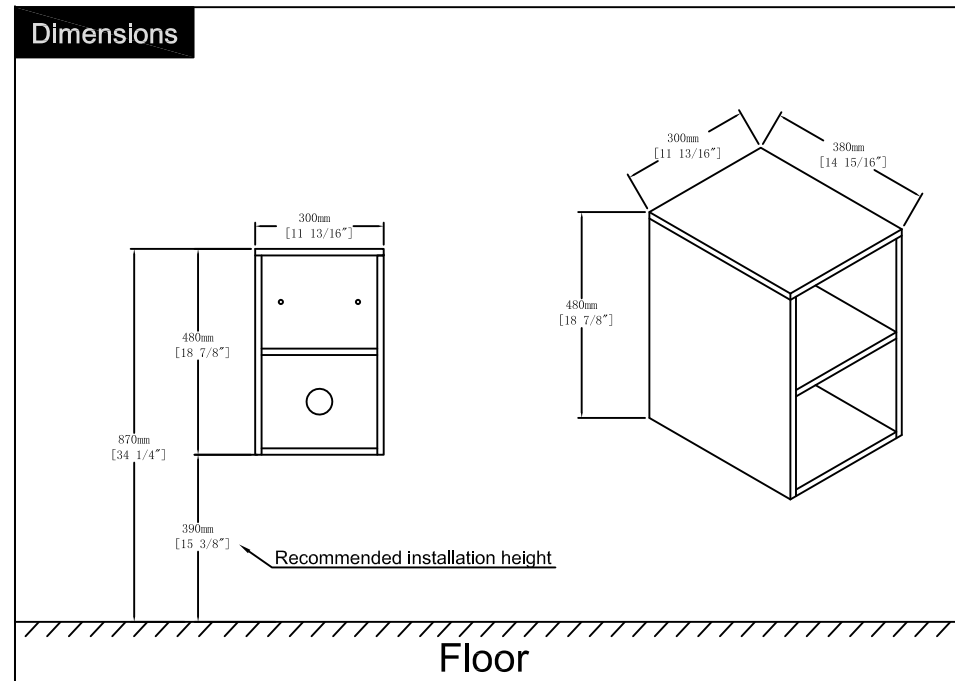
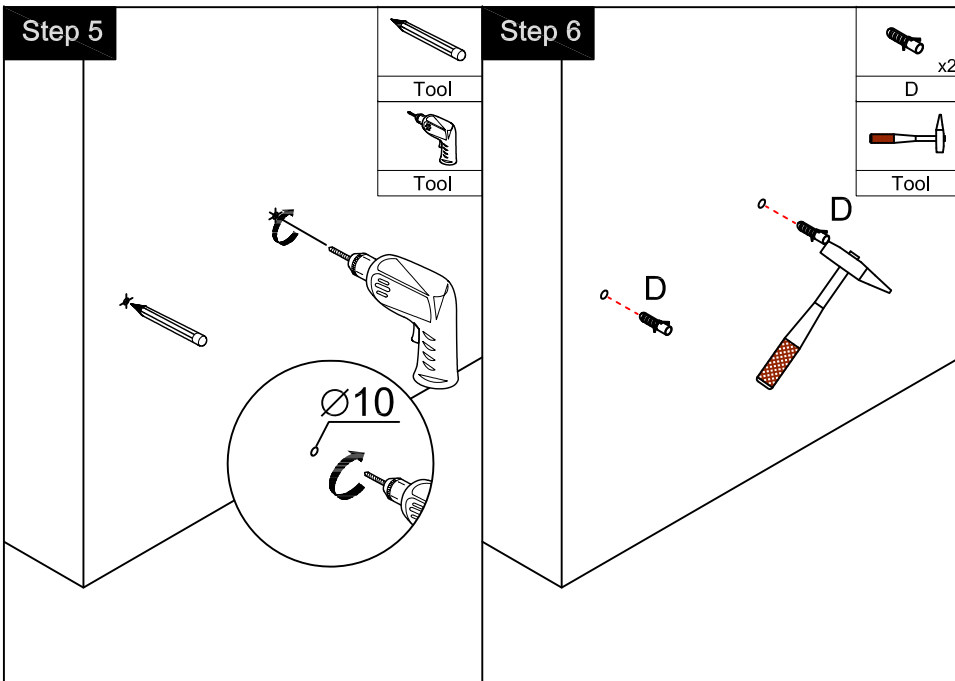


## Dimensions



## CARE CLEANING AND MAINTENANCE

1. Dust regularly with a soft , dry cloth.
2. Avoid the use of all chemicals household cleaners, abrasives, or cleaners that contain lemon, vinegar, or other acids that may damage the finish.
3. Excessive exposure to sunlight and extreme changes in temperature and moisture can damage wood furniture.
4. Do not place hot appliances, such as curling irons and hot hair dryers directly on the countertop. Wipe spills immediately.



### Step 1

Notes: Screw installation depth as shown

Attention: Cam lock arrow point to the steel rod.

	x3
A	
	x3
B	
F	

### Step 2

Note: The C parts are used for these two holes

first step    second step    third step

	x8
A	
	x8
B	
	x2
C	
F	

### Step 3

Note: The C parts are used for these two holes

	x8
A	
	x8
B	
	x2
C	
F	

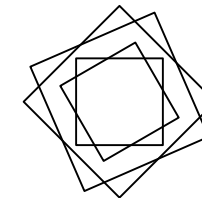
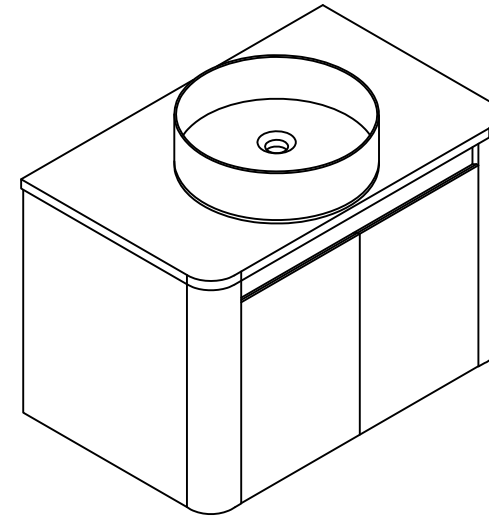
### Step 4

Note: The C parts are used for these two holes

	x5
A	
	x5
B	
F	
	x2
C	
F	

## THANKS FOR WATCHING

Your feedback is invaluable to us and we would love to hear about your experience. Please take the time to leave us a review.






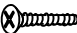

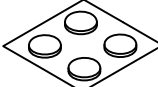






## Thank you for shopping with us!

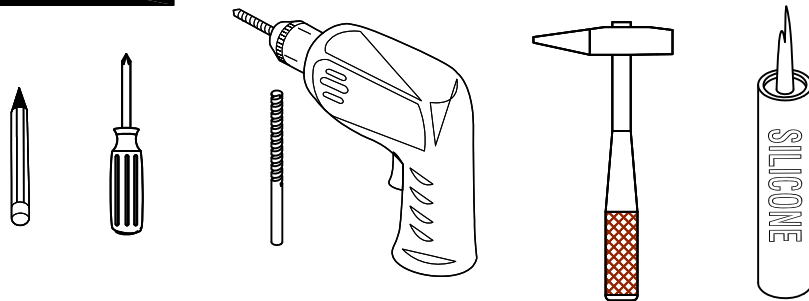
We encourage you to take a few minutes to go through this booklet. It contains important information on installation and care tips to keep your furniture looking as good as new.

# Item NO.:BV H12330

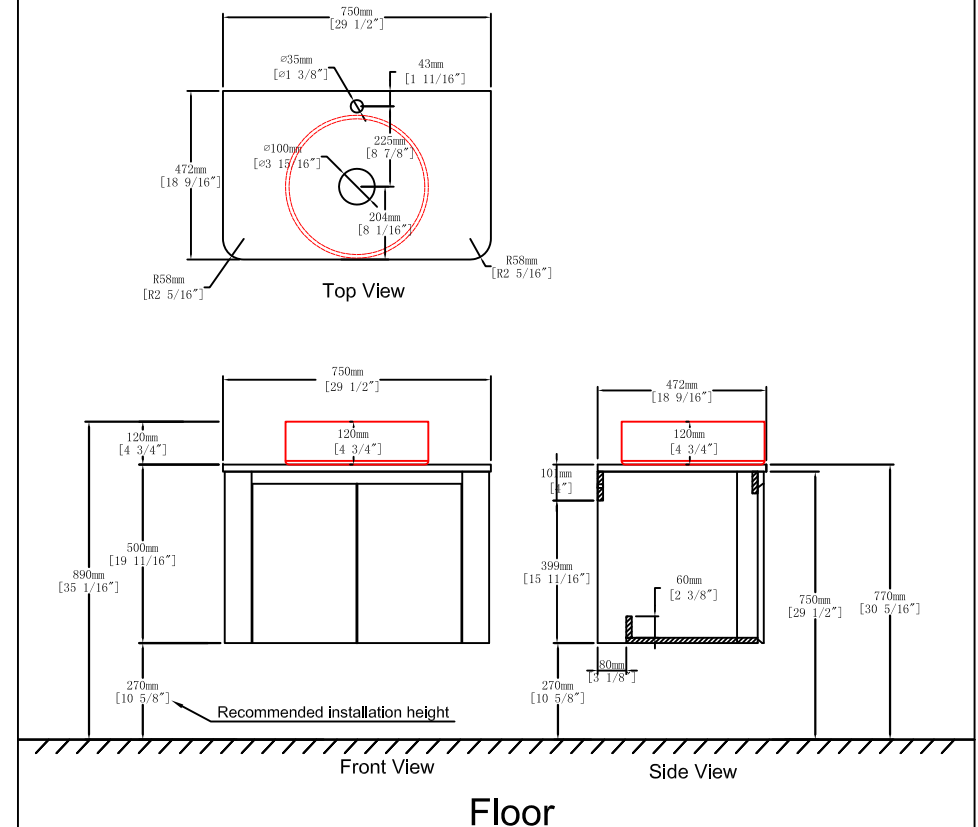
## Hardware

NO.	Draw	QTY	NO.	Draw	QTY
A	 Screws Ø4x14mm	44	H	 Bracket (19x19x35mm)	2
B	 Two-in-one connector	17	I	 Hinges(Internal hiding )	4
C	 Two-in-one connector	17	J	 Screws Ø4x25mm	6
D	 Wood plug	4	K	 Anti-collision gasket	4
E	 Plastic anchor(Ø10mm)	2	L	 Screwdriver	1
F	 Screws for fix on the wall	2			
G	 Bracket (53x70x44mm)	2			

## Recommended tools



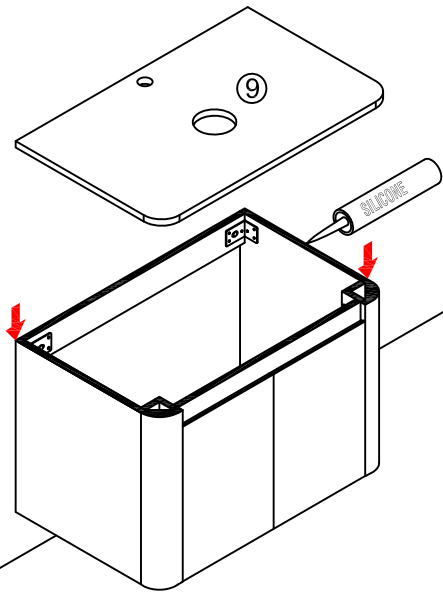
## Dimensions



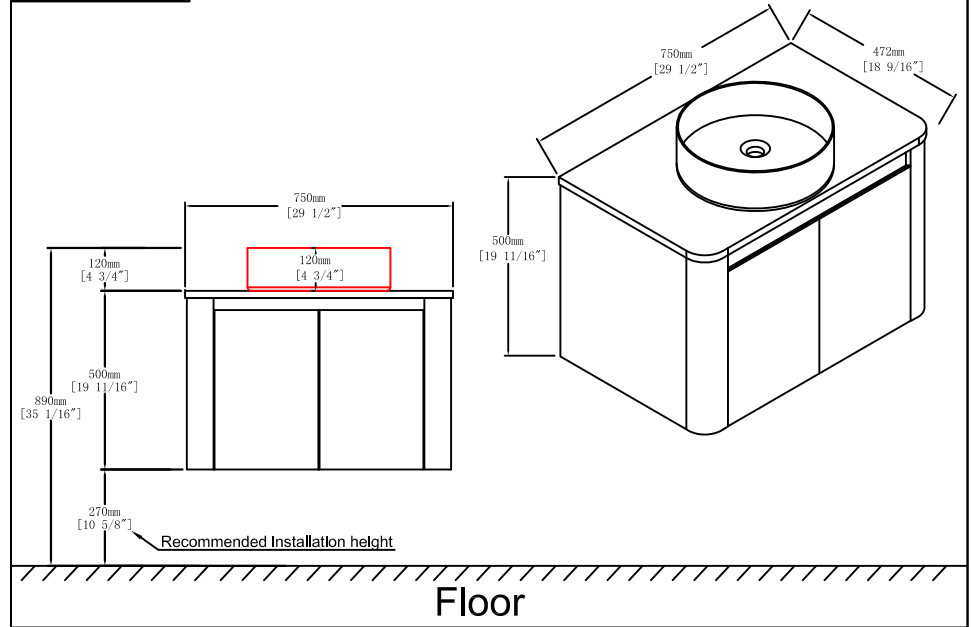
## CARE CLEANING AND MAINTENANCE

1. Dust regularly with a soft , dry cloth.
2. Avoid the use of all chemicals household cleaners, abrasives, or cleaners that contain lemon, vinegar, or other acids that may damage the finish.
3. Excessive exposure to sunlight and extreme changes in temperature and moisture can damage wood furniture.
4. The sink is fragile, please pay attention to maintaining its appearance.
5. Do not place hot appliances, such as curling irons and hot hair dryers directly on the countertop. Wipe spills immediately.

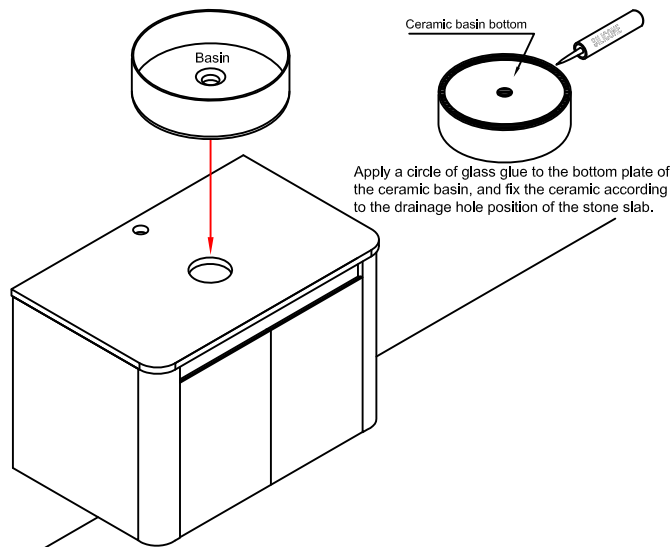
### Step 13



### Dimensions

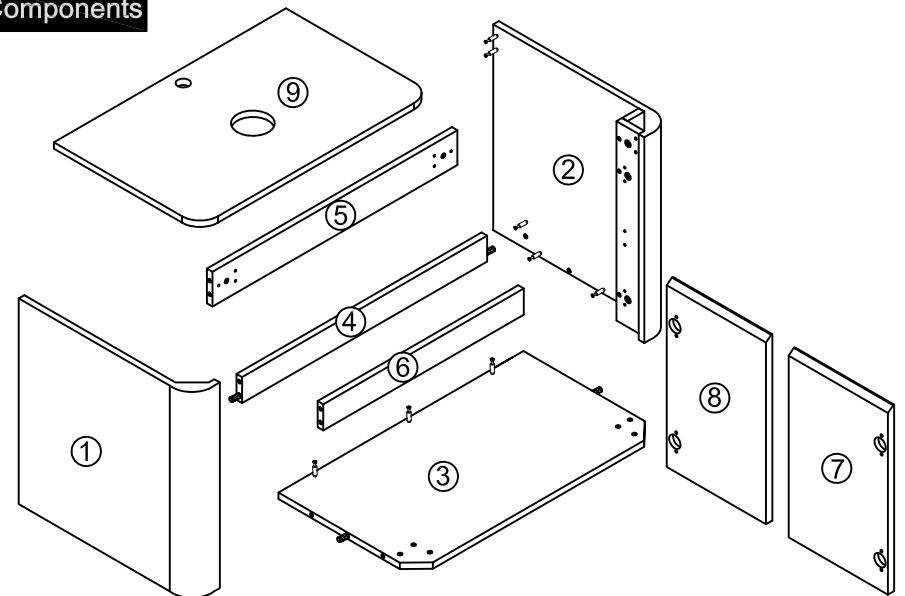


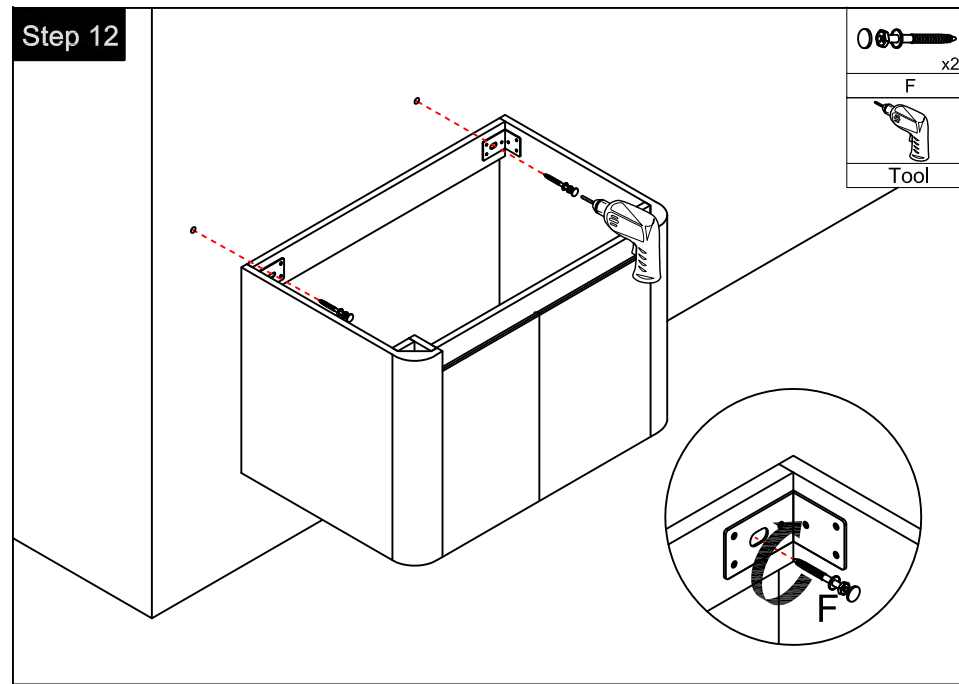
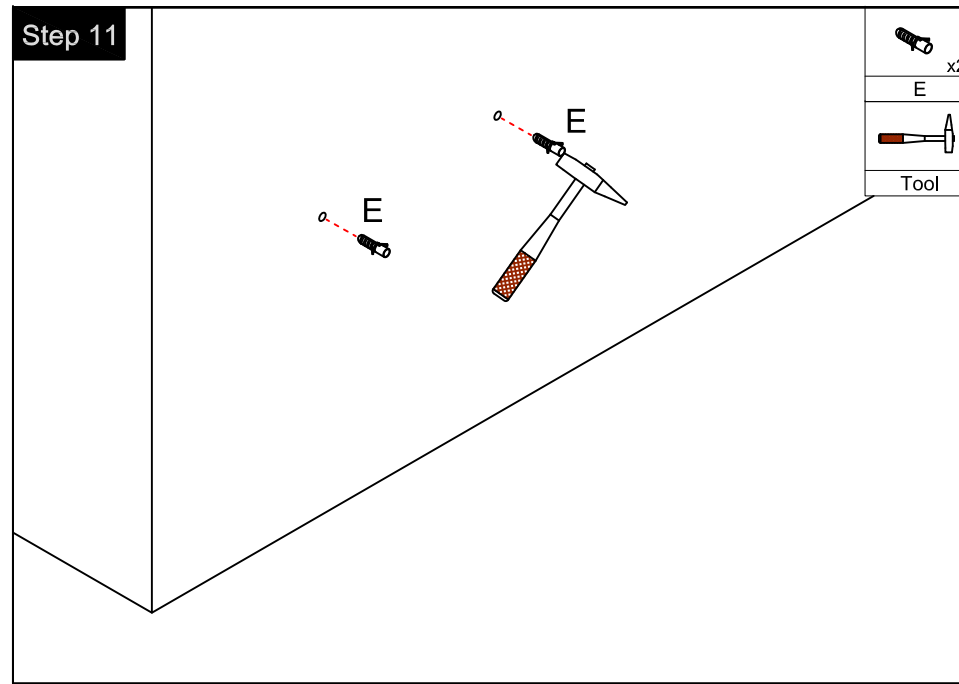
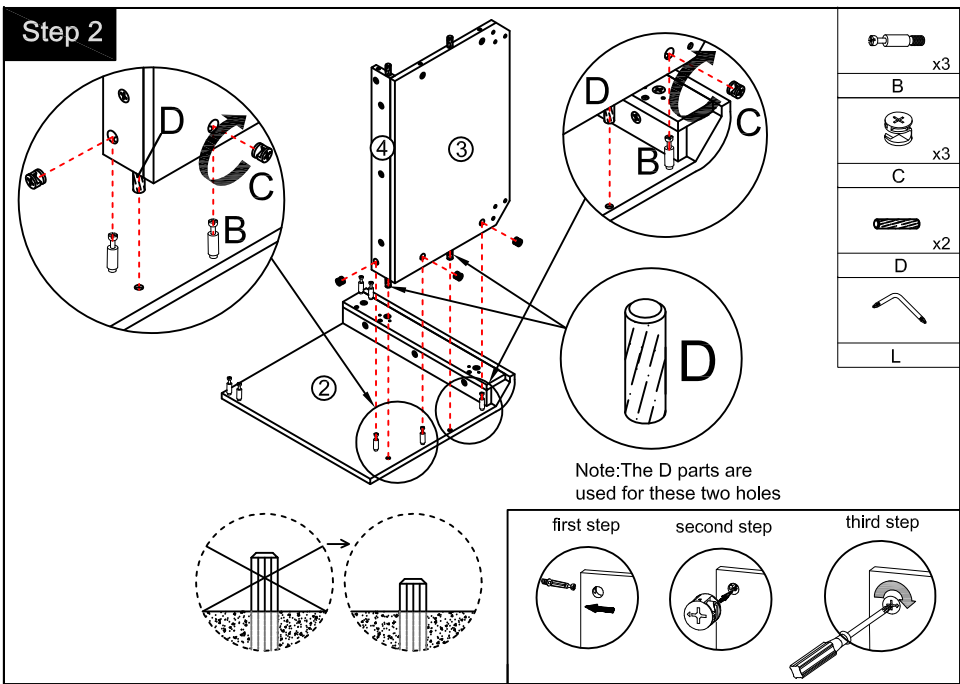
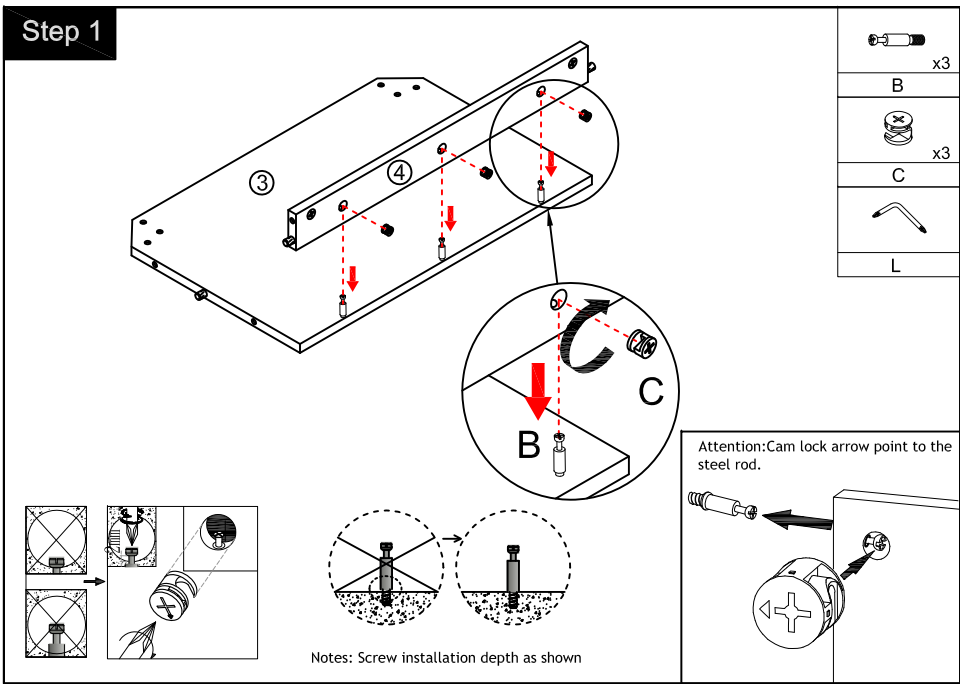
### Finished

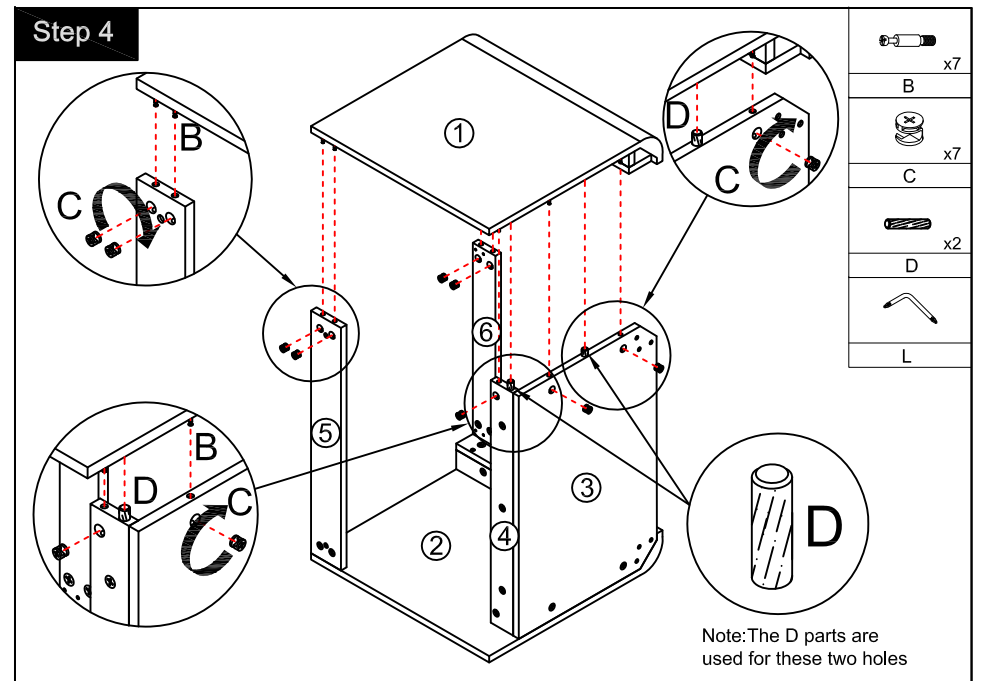
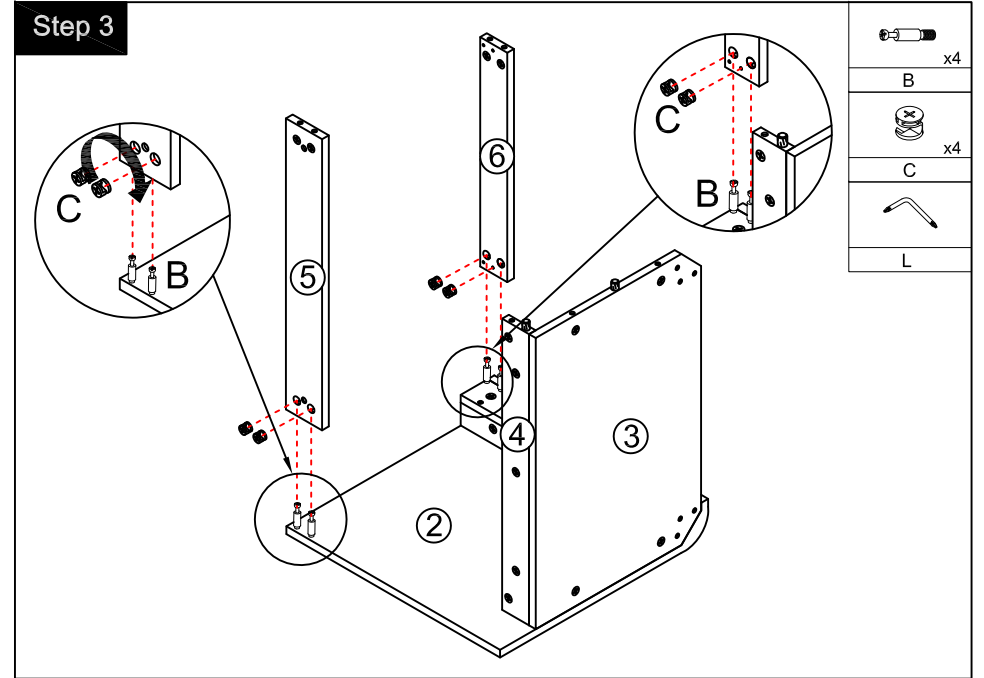
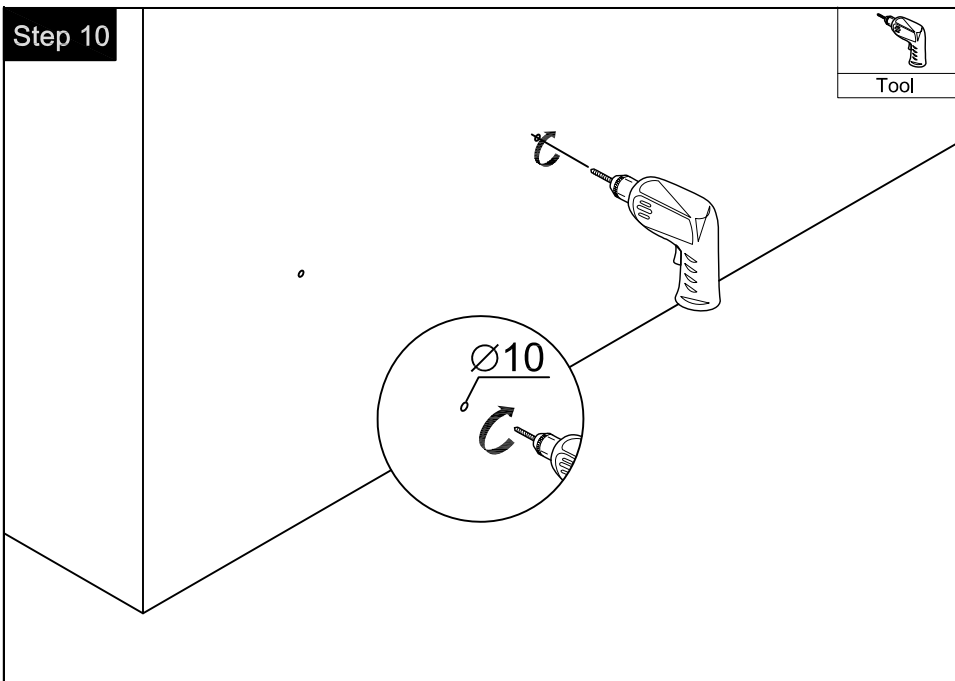
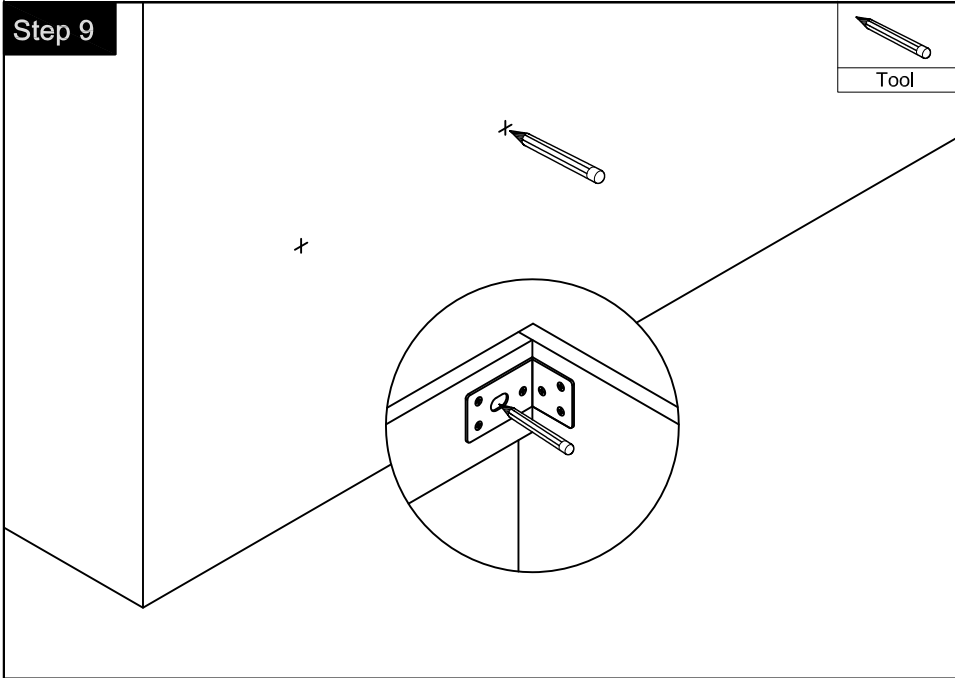


The specific basin type is subject to your purchase order.

### Components

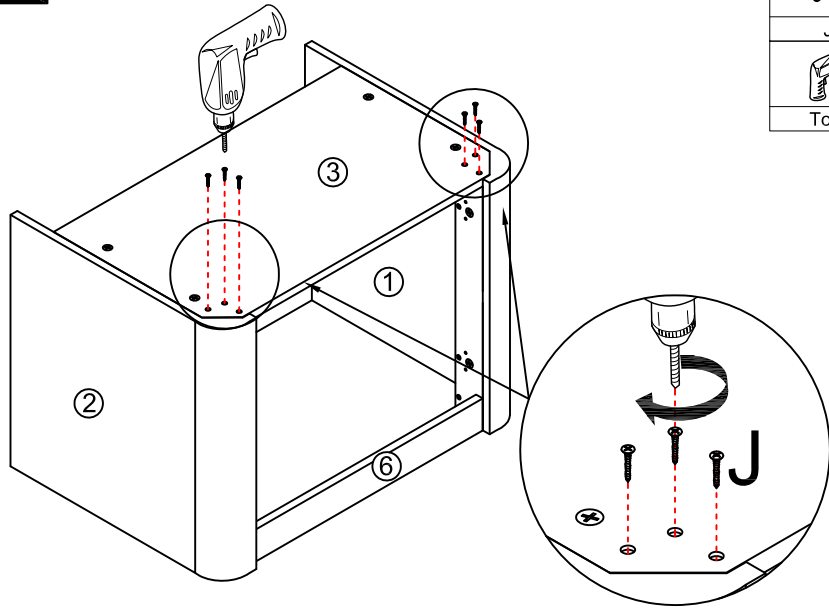






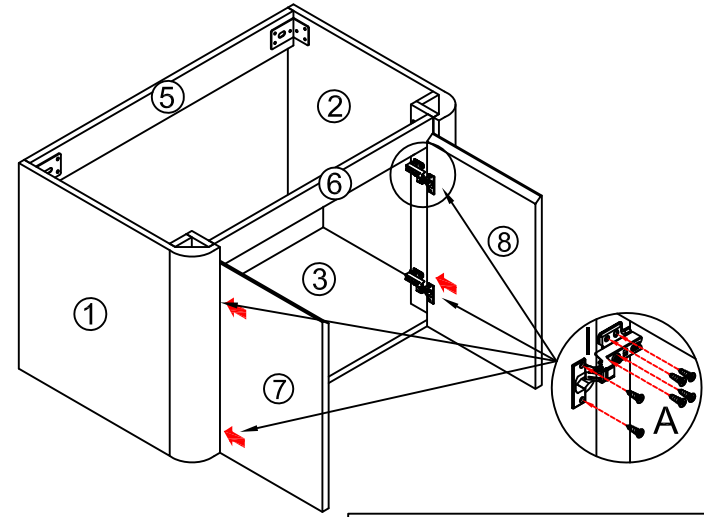
### Step 5

- (∅4 x 25mm)  
J x6
- J
- Tool

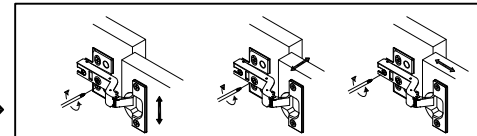


### Step 7

- x4
- I (∅4 x 14mm)  
x24
- A
- Tool

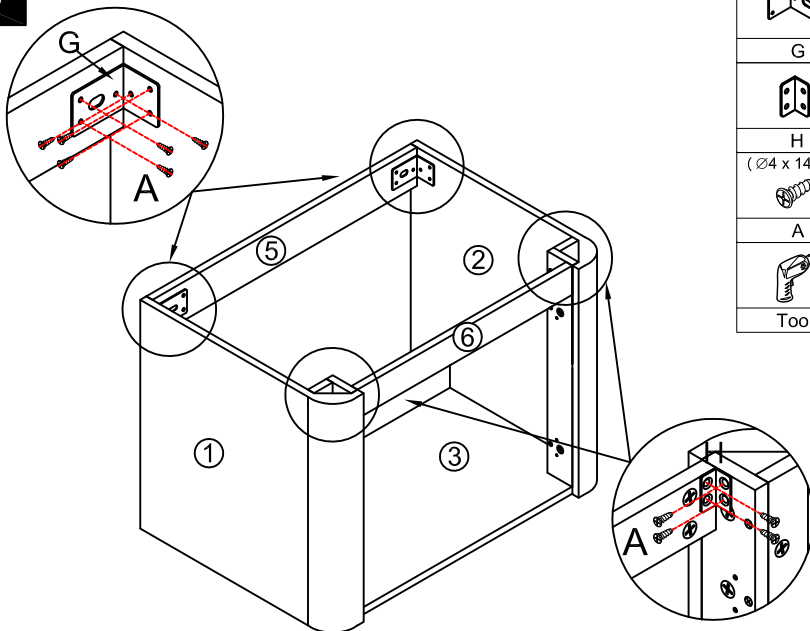


You can adjust the doors by tightening or loosening the screws on the hinge. →



### Step 6

- G x2
- G
- x2
- H (∅4 x 14mm)  
x20
- A
- Tool



### Step 8

- x4
- K

