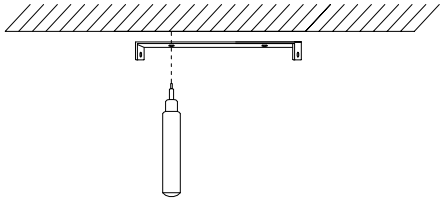
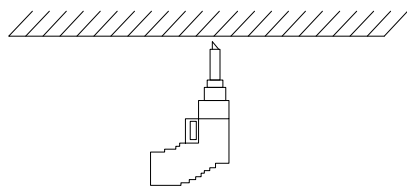


Installation instructions

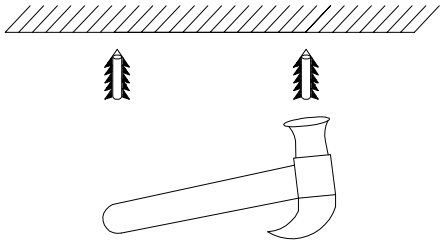
Installation of hanging plate



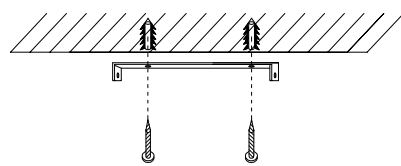
Step 1: draw a mark on the ceiling with the hanging board as a reference



Step 2: drill the hanging plate hole on the ceiling with an electric drill



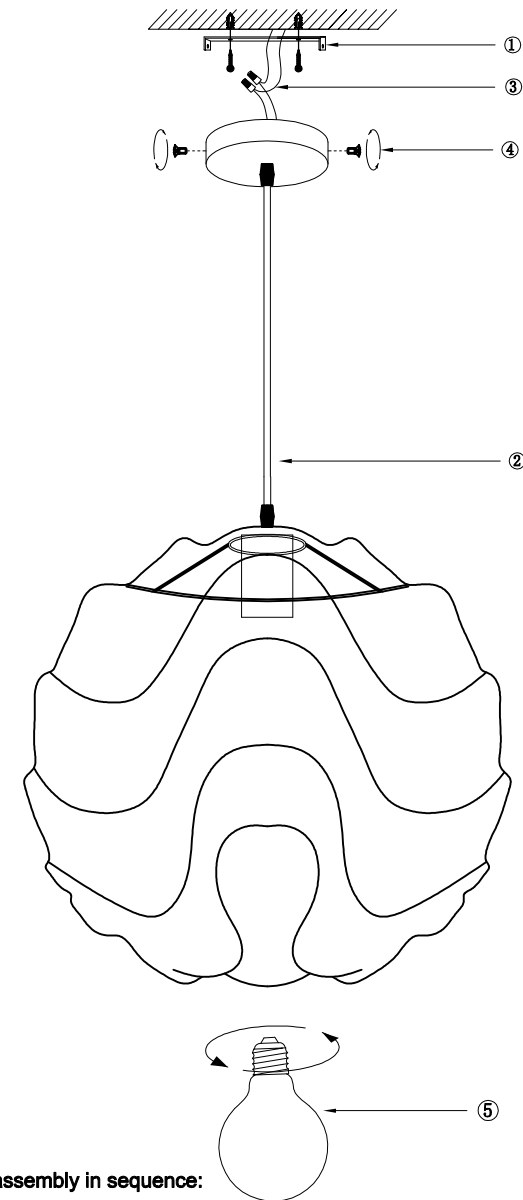
Step 3: tap the expansion screw into the drilled hole



Step 4: fix the hanging plate on the expansion rubber plug and tighten it with screws



installation diagram



Please complete the assembly in sequence:

- ①
- ②
- ③
- ④
- ⑤