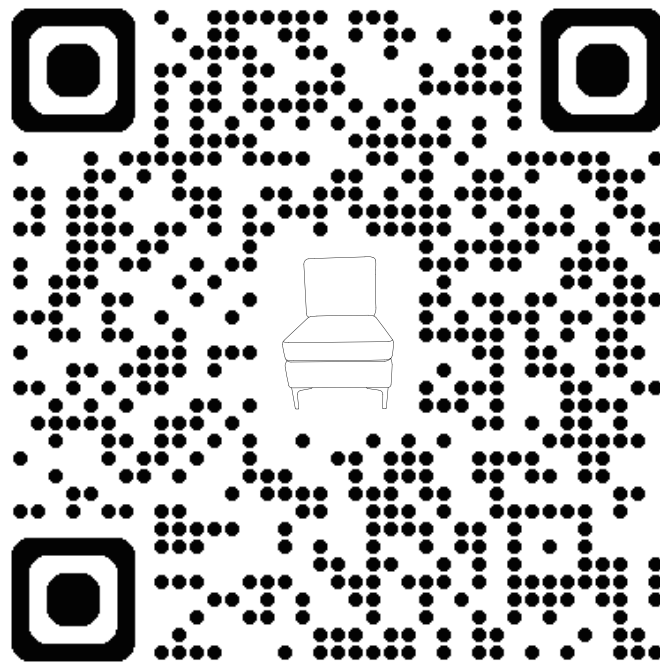


# ASSEMBLY VIDEO



Please scan the QR code to watch the assembly video.

## **Pay Attention:**

When the vacuum packages to be opened up that might be wrinkles at that stage, which will need you to place them on the chair for few days after assembling, and they will be recovered afterwards.


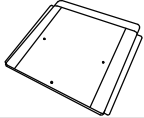

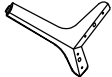

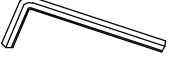





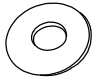

So we highly recommend you to sit on chair more often during this period that helps to expedite the recover time accordingly.

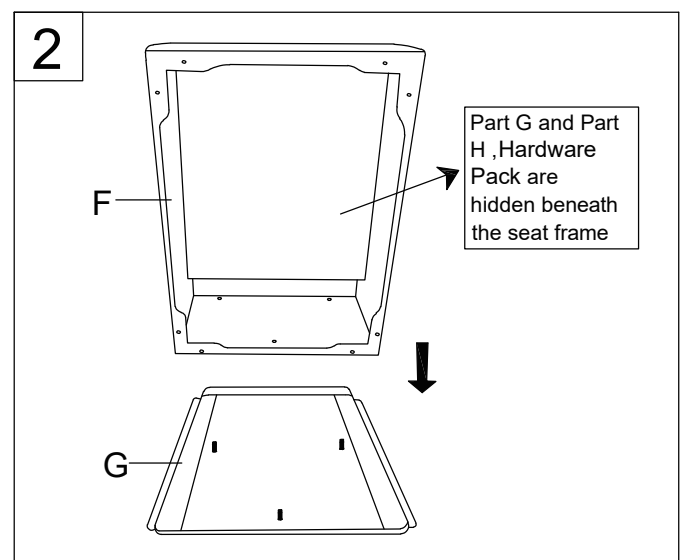
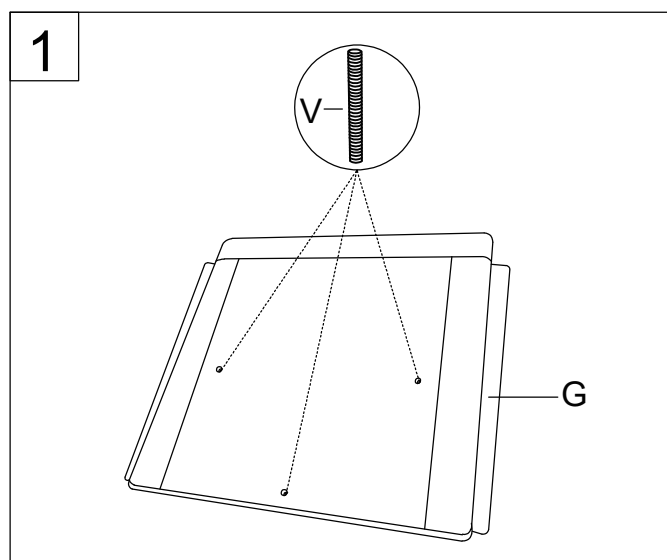
We are sorry for inconvenience and please reach out to customer service if you have any other questions.

# ASSEMBLY INSTRUCTION (A CARTON)

Thank you for purchasing this quality product. Be sure to check all the packing material carefully for small parts, which may have come loose inside the carton during shipment. Identify and count all parts and compare with the HARDWARE LIST below.

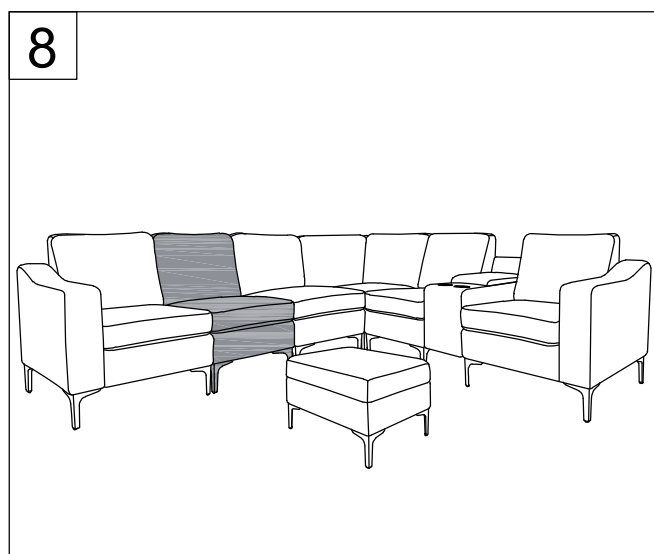
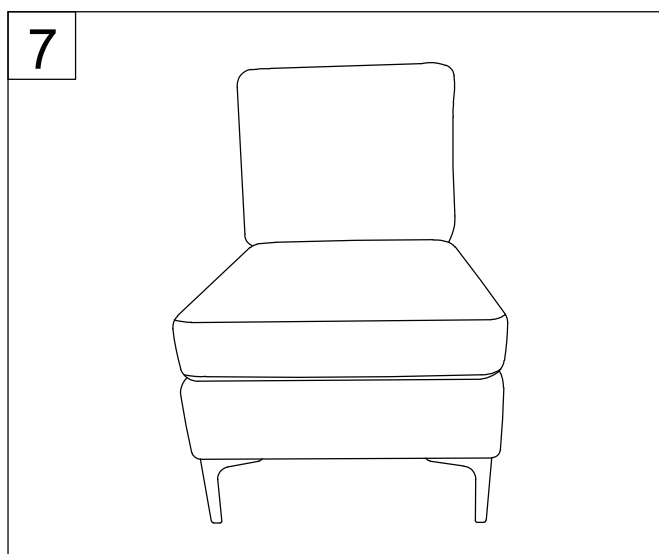
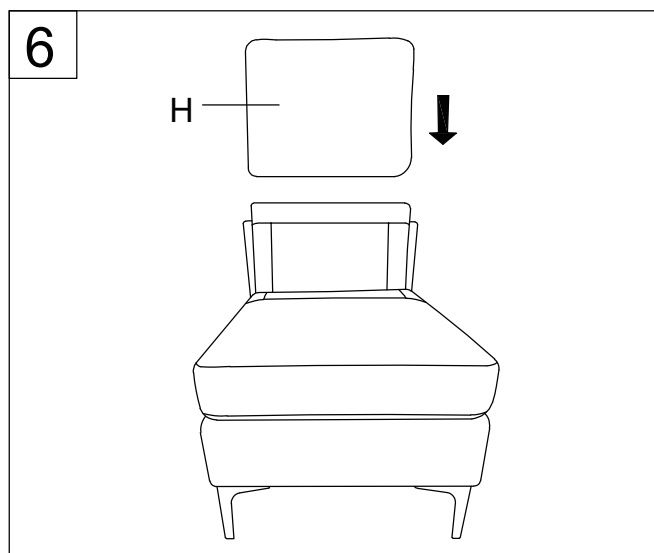
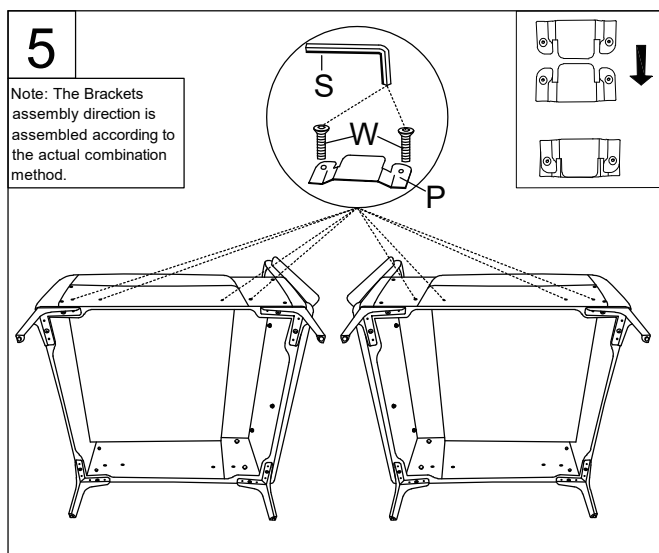
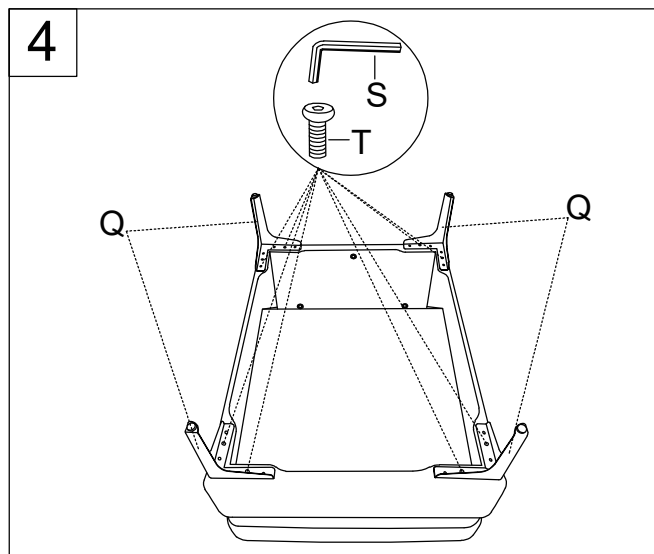
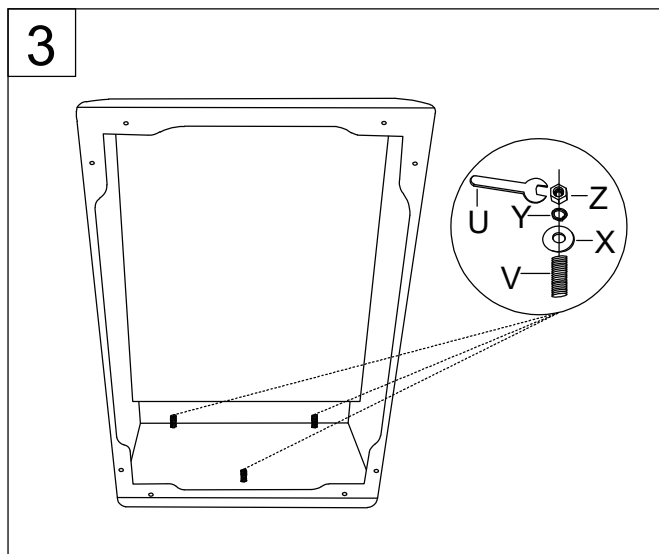
## PARTS LIST(NO TOOLS REQUIRED)

NO.	DESCRIPTION	PARTS	QTY	NO.	DESCRIPTION	PARTS	QTY
F	Seat		1	G	Backrest		1
H	Back Cushion		1	Q	Legs		4
P	Brackets		4	S	Allen Key		1
U	Wrench		1	V	Bolts	 M8*80MM	3
W	Screws	 M6*20MM	8	T	Screws	 M8*20MM	8
Y	Spring Washers		3	X	Flat Washers	 M8*Ø24MM	3
Z	Nuts		3				



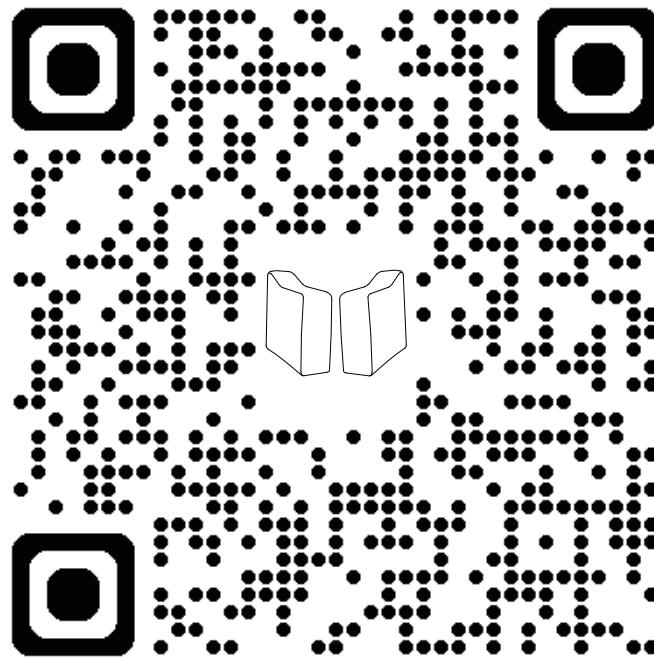
# ASSEMBLY INSTRUCTION (A CARTON)

We would be grateful if you could take photos of defective parts and carton shipping marks for our reference after you check the products before assembling.



Please don't throw away the original package if you insist to return the products.

# ASSEMBLY VIDEO



Please scan the QR code to watch the assembly video.

## **Pay Attention:**

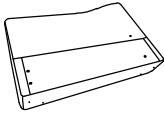
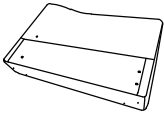


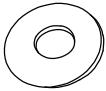


We strive to offer high-quality products, and we also try our best to satisfy each and every customer that orders from us with product or service as needed.

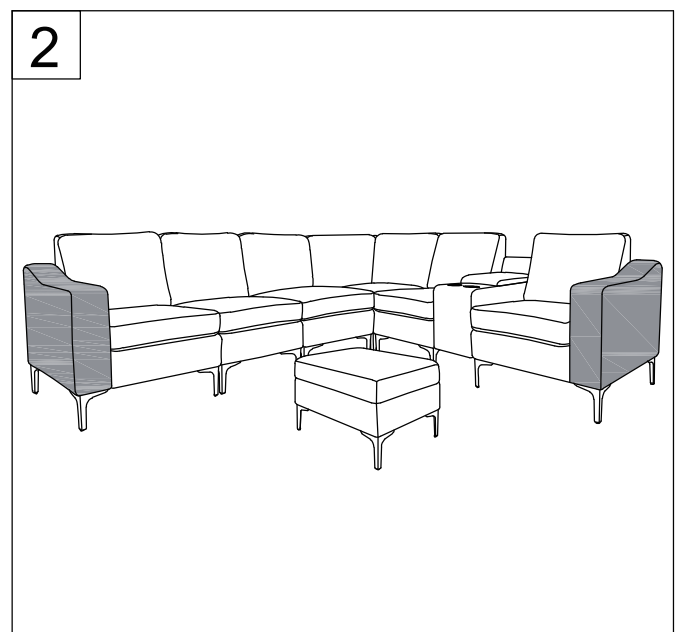
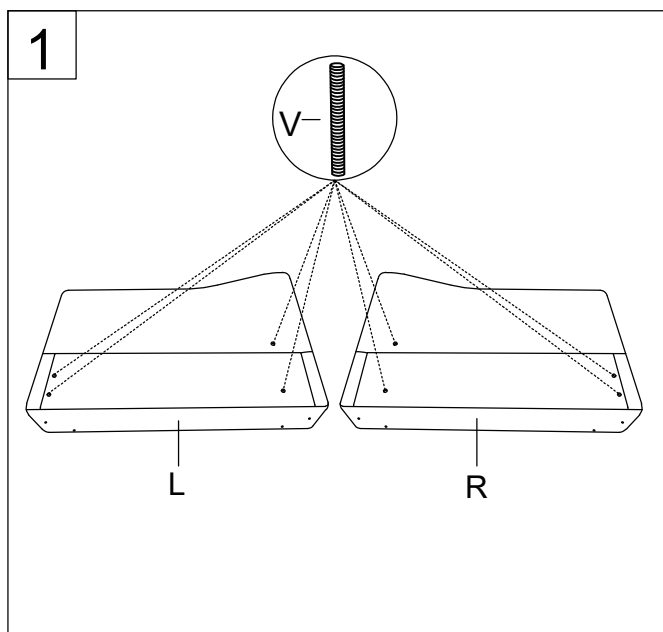
We would be grateful if you could take photos of defective parts and carton shipping marks for our reference after you check the products before assembling.

# ASSEMBLY INSTRUCTION (E CARTON)

Thank you for purchasing this quality product. Be sure to check all the packing material carefully for small parts, which may have come loose inside the carton during shipment. Identify and count all parts and compare with the HARDWARE LIST below.

## PARTS LIST(NO TOOLS REQUIRED)

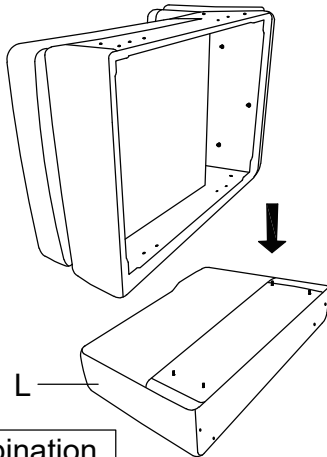
NO.	DESCRIPTION	PARTS	QTY	NO.	DESCRIPTION	PARTS	QTY
L	Left Armrest		1	R	Right Armrest		1
U	Wrench		1	V	Bolts	 M8*80MM	8
X	Flat Washers	 M8*Ø24MM	8	Z	Nuts		8
Y	Spring Washers		8				



# ASSEMBLY INSTRUCTION (E+A+A CARTON)

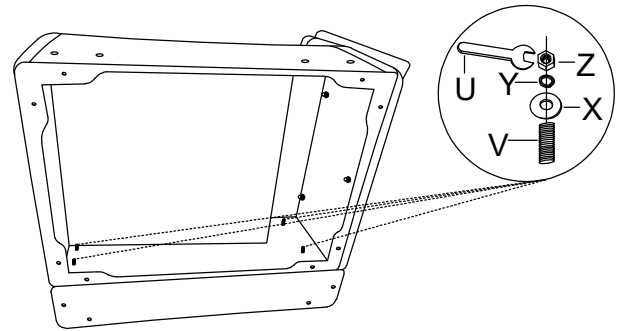
We would be grateful if you could take photos of defective parts and carton shipping marks for our reference after you check the products before assembling.

3

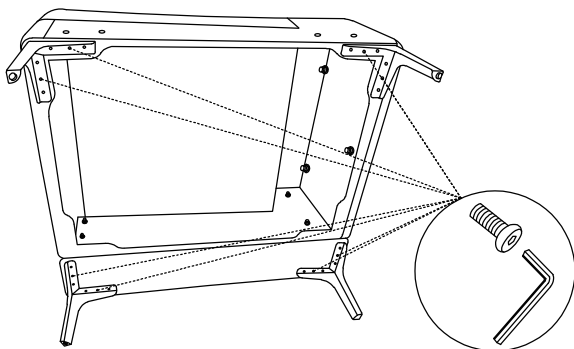


E+A+A combination  
assembly method

4

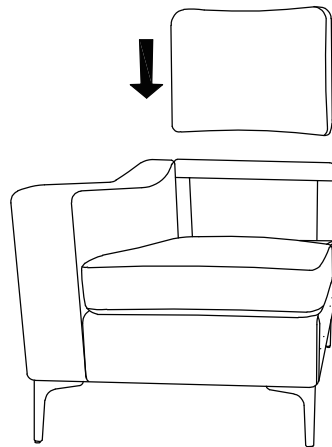


5

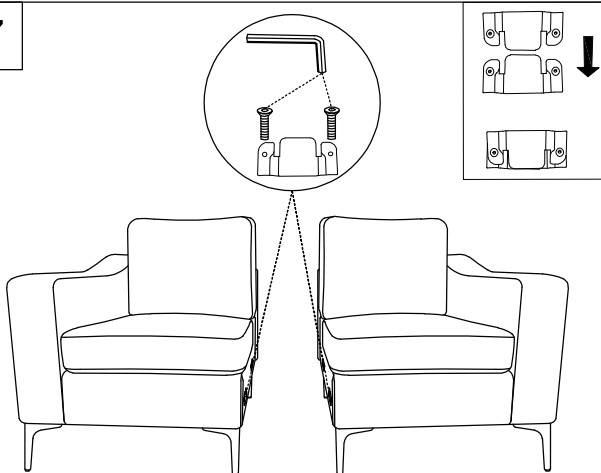


Note: Legs are from carton A.

6

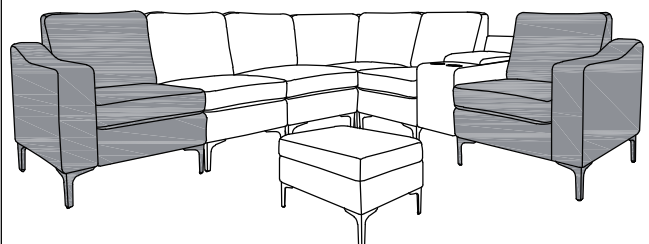


7



The right arm side is assembled in the  
same method as the left arm side.

8



Please don't throw away the original package if you insist to return the products.