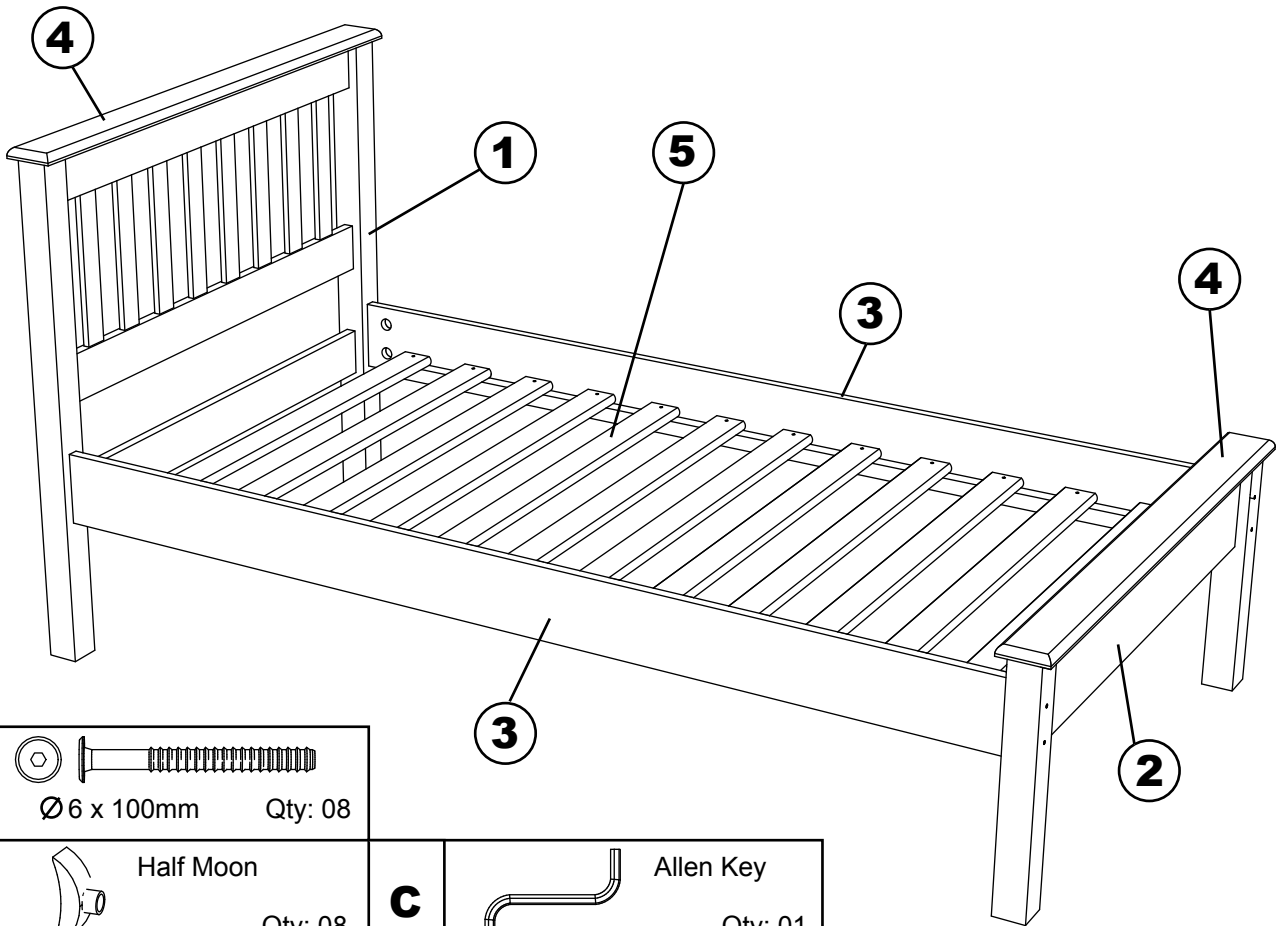



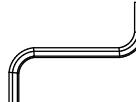


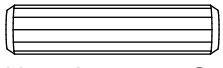
ASSEMBLY INSTRUCTIONS - TWIN CONTEMPO BED

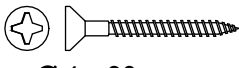


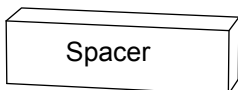
A  
 Ø6 x 100mm Qty: 08

B  Half Moon
 Qty: 08

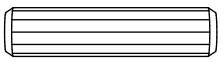
C  Allen Key
 Qty: 01

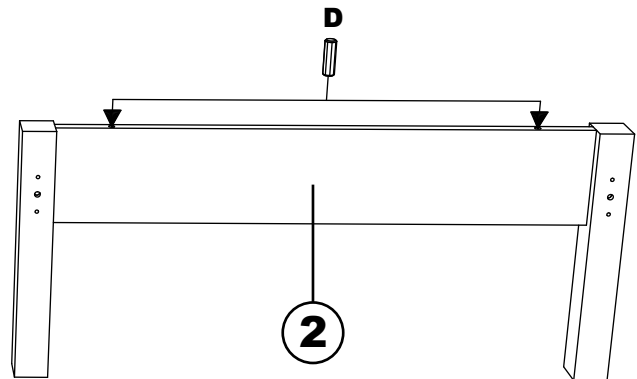
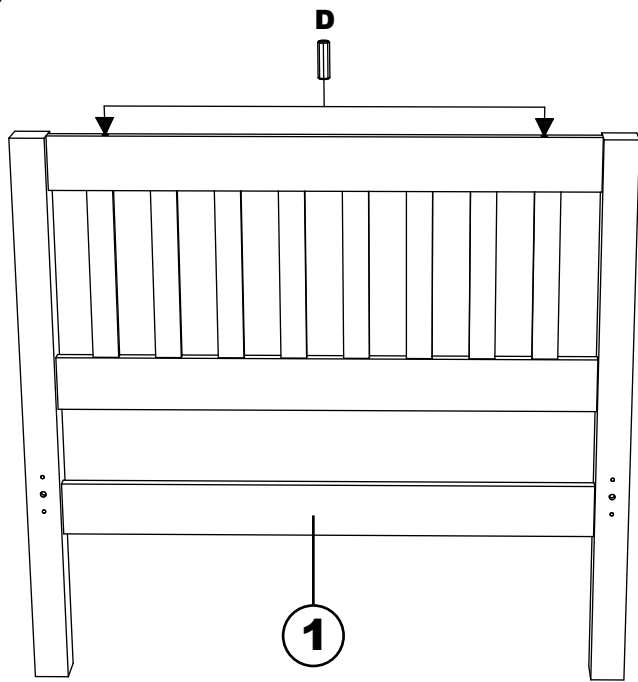
D 
 Ø10 x 40mm Qty: 08

E 
 Ø4 x 30mm Qty: 30

F  Spacer
 Qty: 02

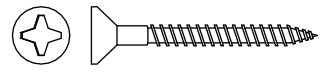
Step: 1

D 
 Ø10 x 40mm Qty: 04



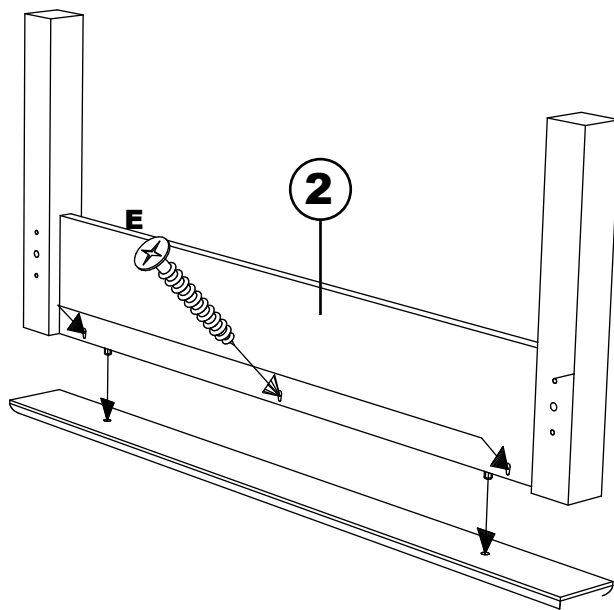
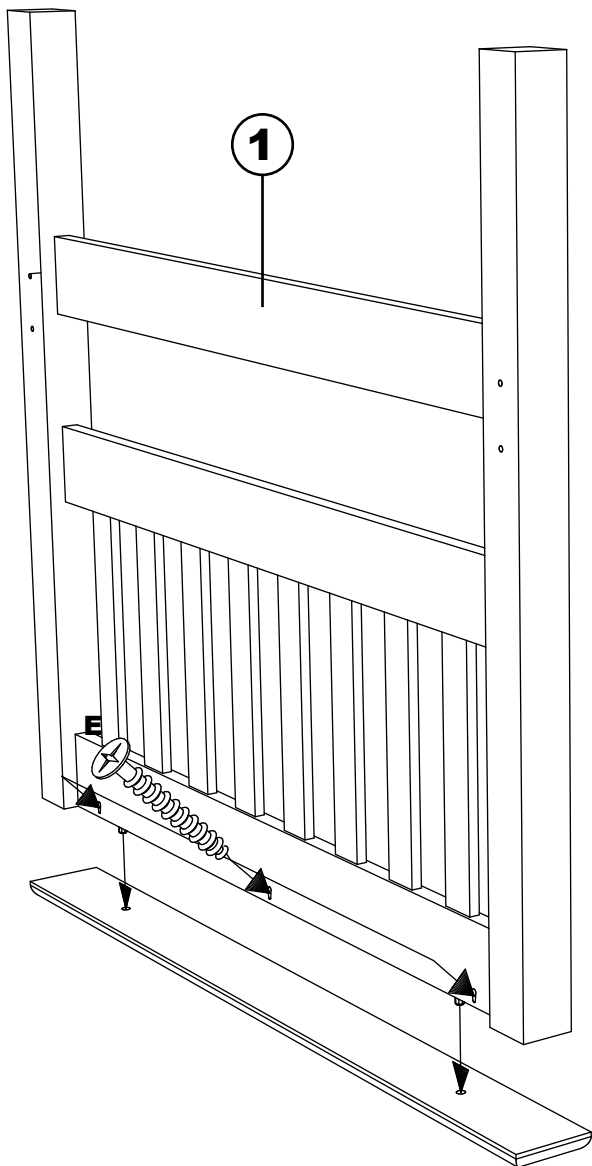
Step: 2

E



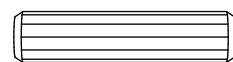
Ø 4 x 30mm

Qty: 06



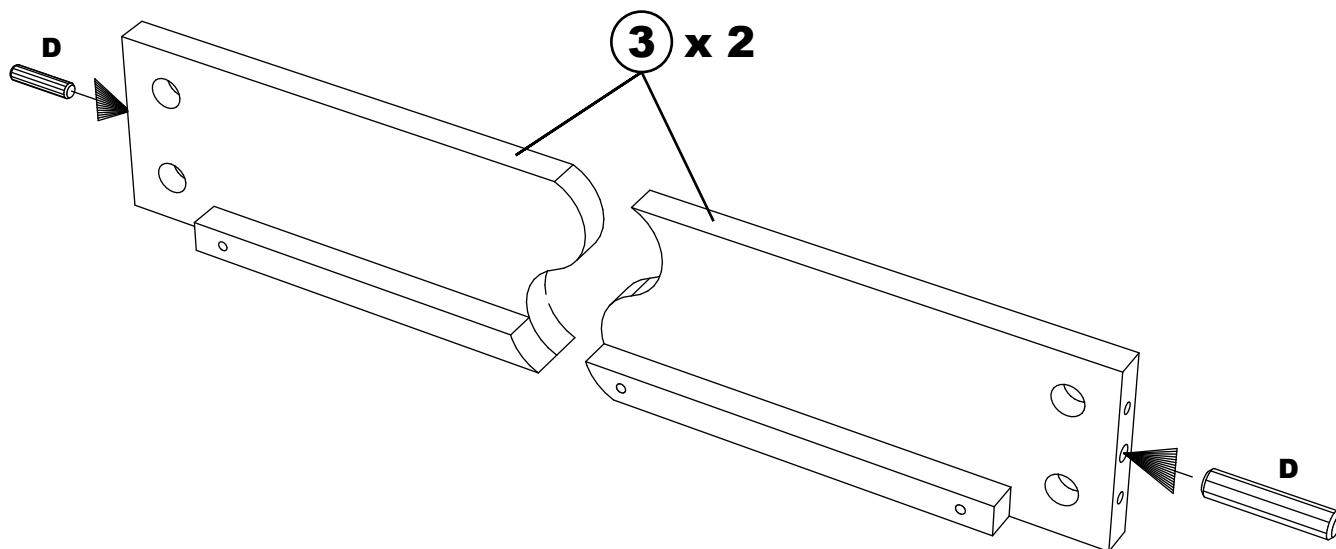
Step: 3

D



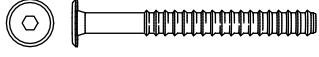
Ø 10 x 40mm


Qty: 04

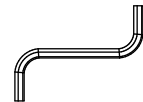


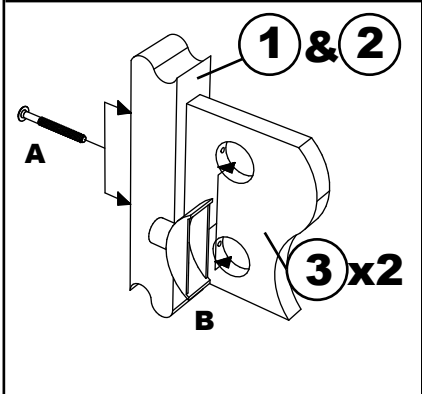
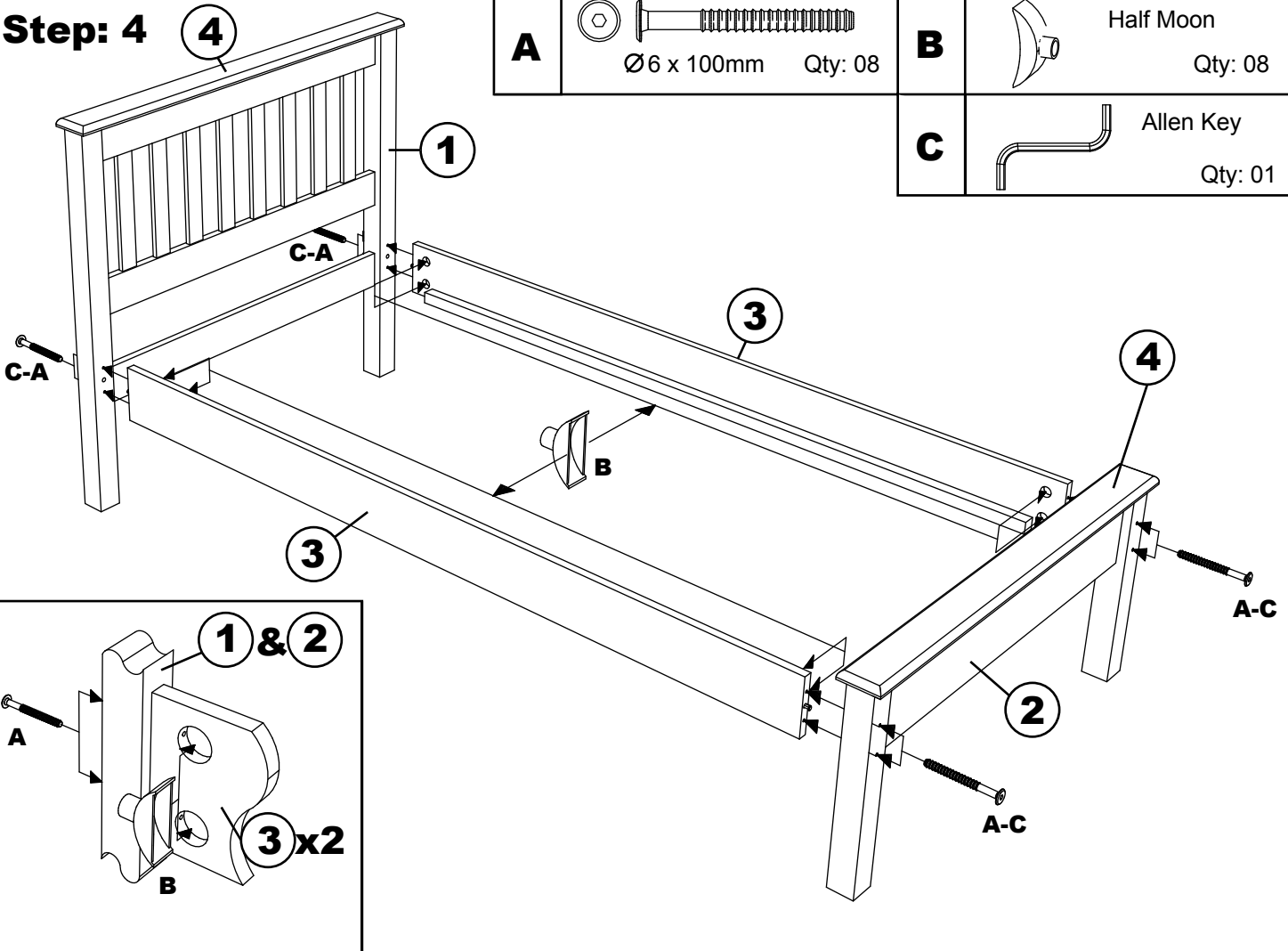
Step: 4

4

A  Qty: 08

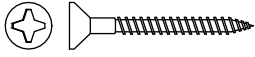
B  Qty: 08

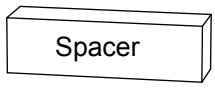
C  Qty: 01

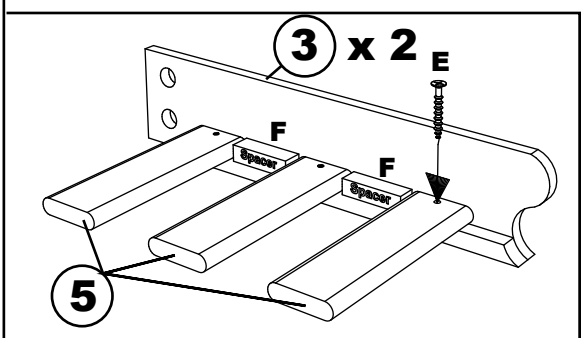
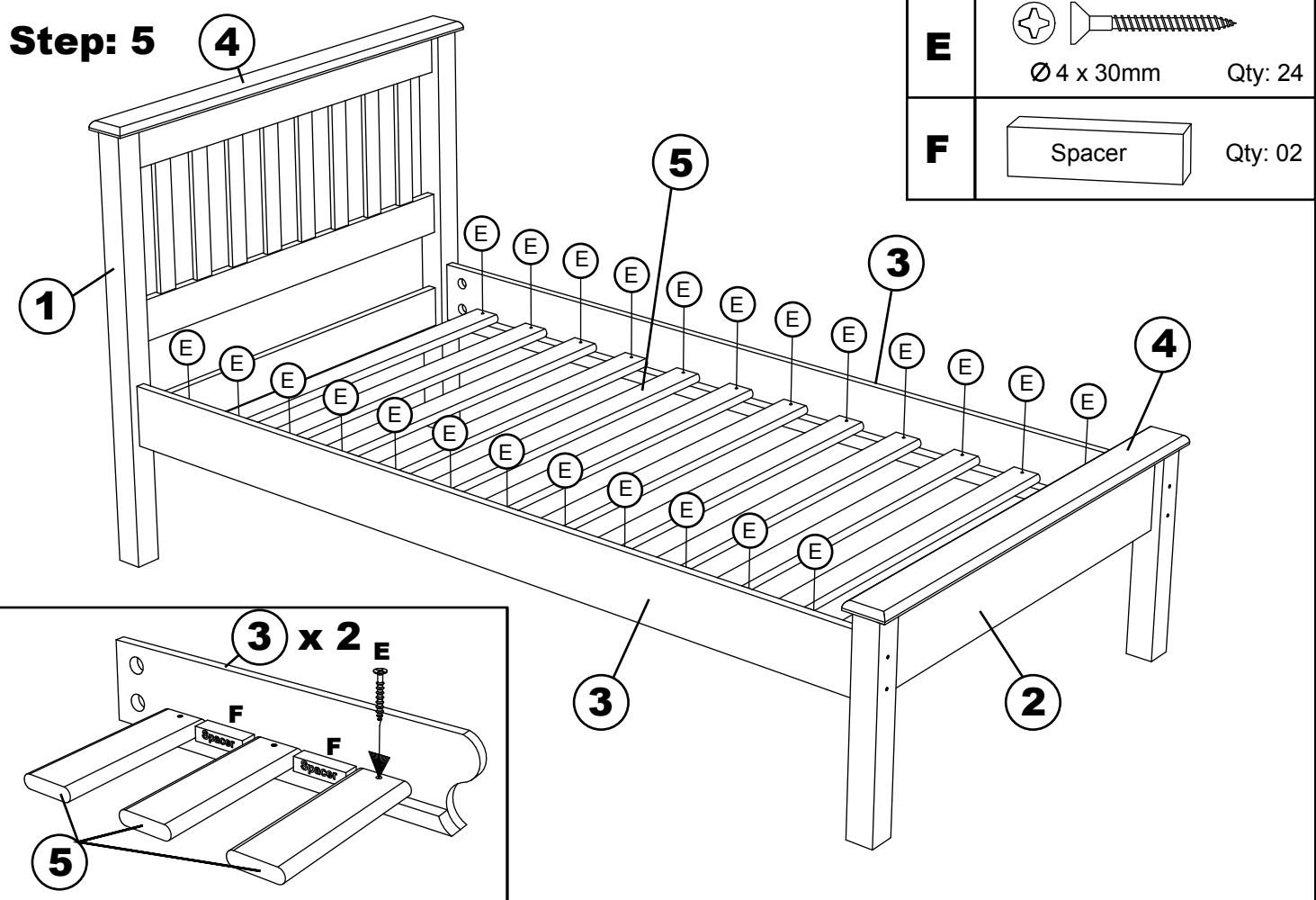


Step: 5

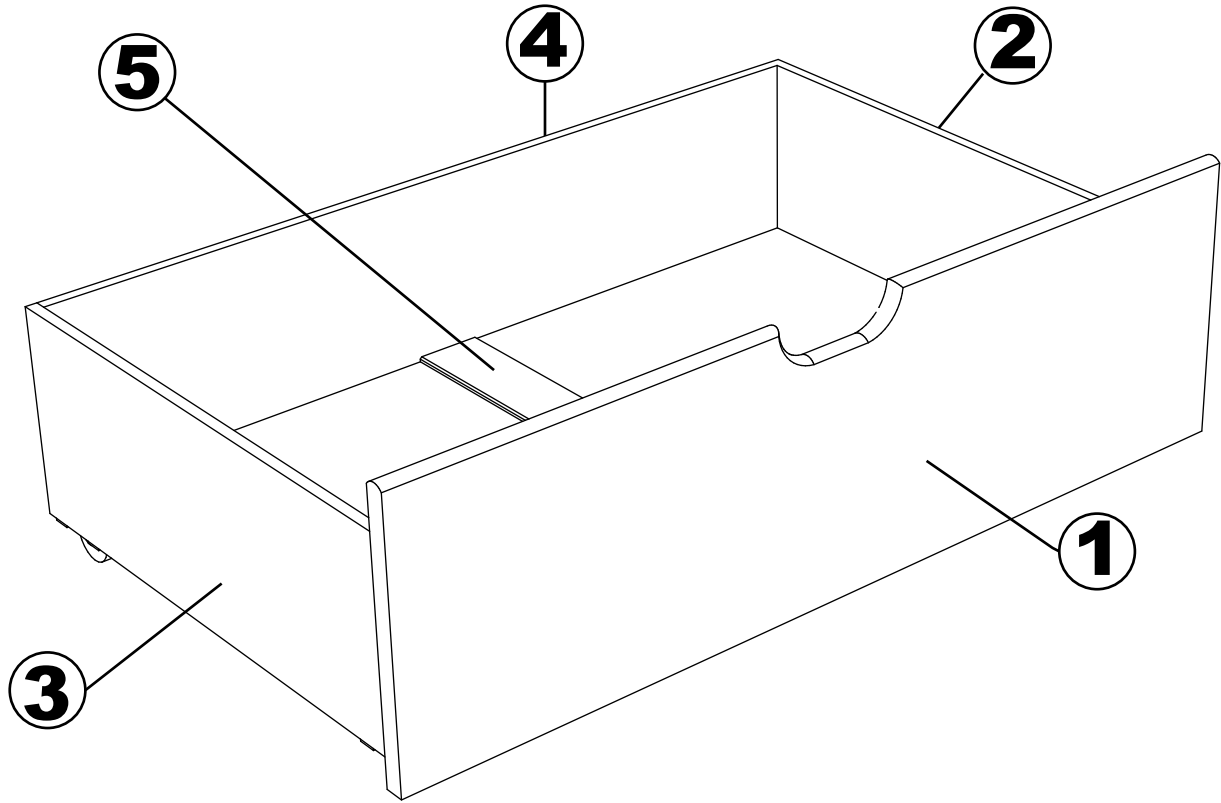
4

E  Qty: 24

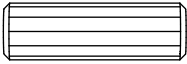
F  Qty: 02



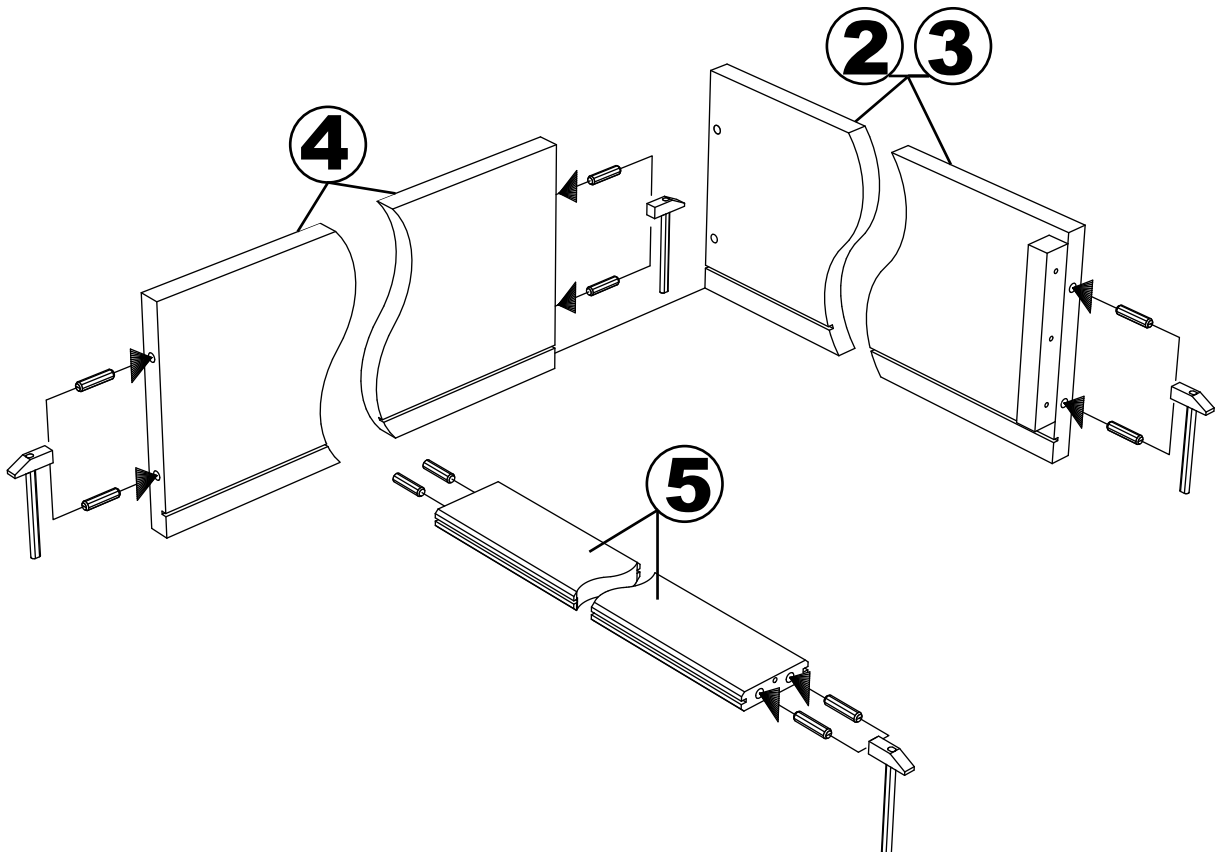
ASSEMBLY INSTRUCTIONS - DUAL UNDERBED DRAWERS





D


Ø8 x 30mm Qty: 12

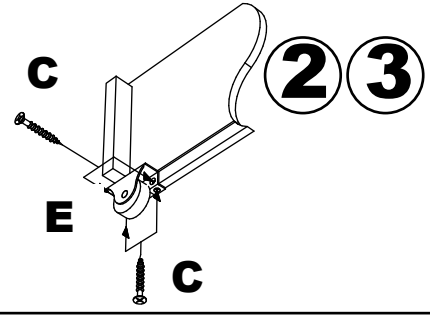
Step 01



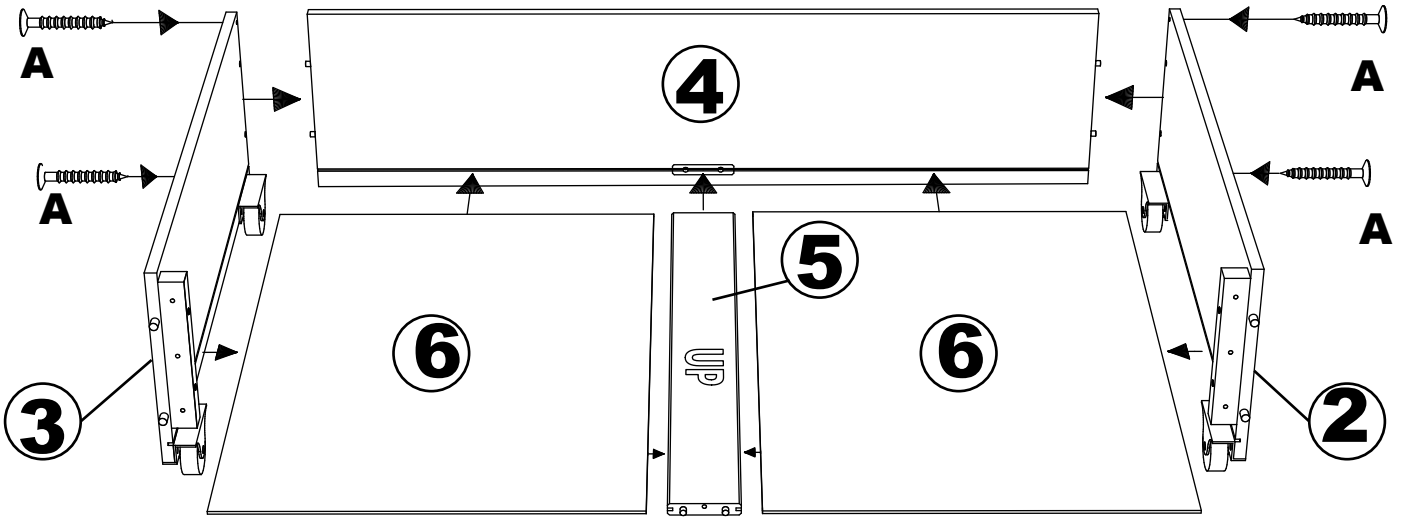
ASSEMBLY INSTRUCTIONS - DUAL UNDERBED DRAWERS


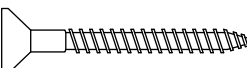
A  
 Ø4 x 30mm Qty: 06

Step 02


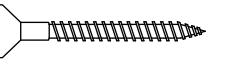


Step 03

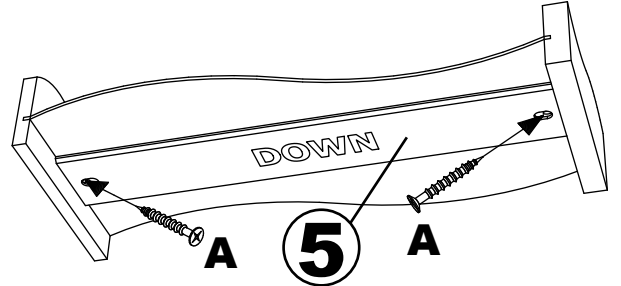


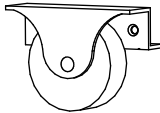
B  
 Ø4 x 35mm Qty: 06

Step 03

C  
 Ø3 x 15mm Qty: 16

Step 04



E  Qty: 04

