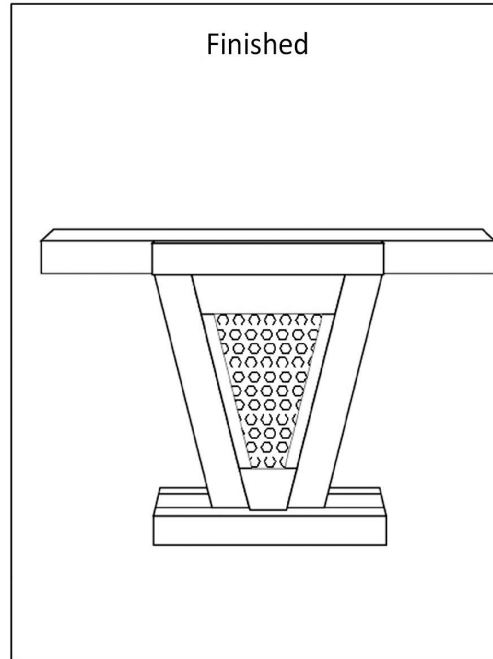
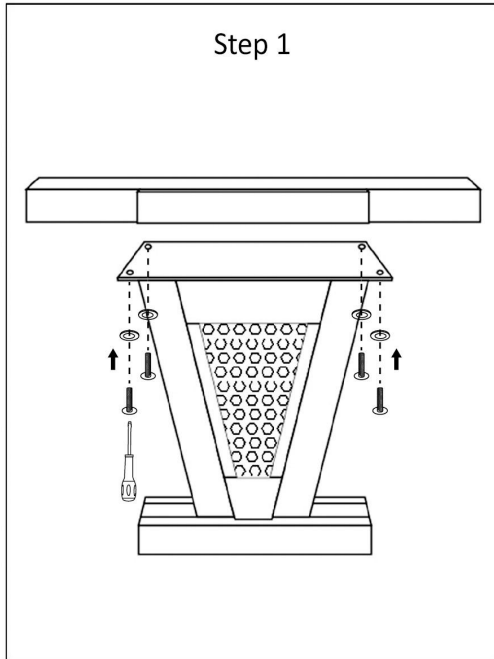

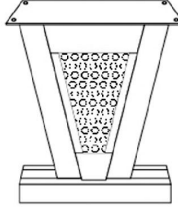

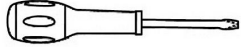


# Assembly Instructions



Parts Details		
Part No	Picture	QTY
A		1PC
B		1PC
1		4PCS
2		1PC