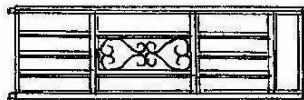
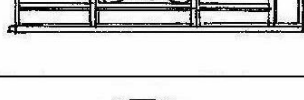



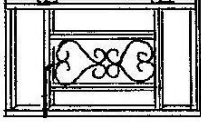
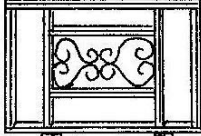
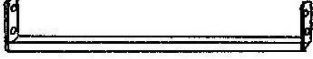
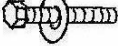
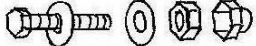
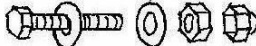

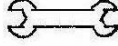




Part#	Figure	Qty
A1		1
A2		1
B		2
C		3
D		2
E		1
F		1

Part#	Figure	Qty
G		2
H1	 M6×28	10
H2	 M6×32	8+1
H3	 M6×52	4
Y		4
Z		1

